

# ASSEMBLY INSTRUCTIONS

(LD228523A-48(CT2-3))

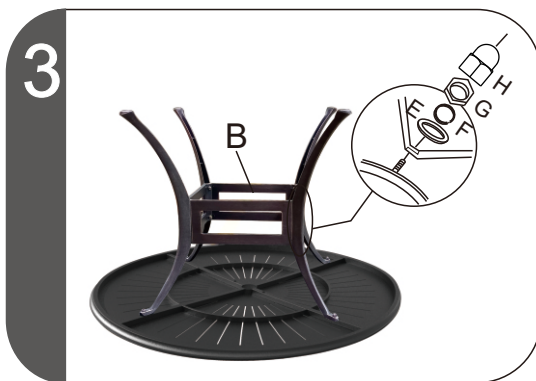
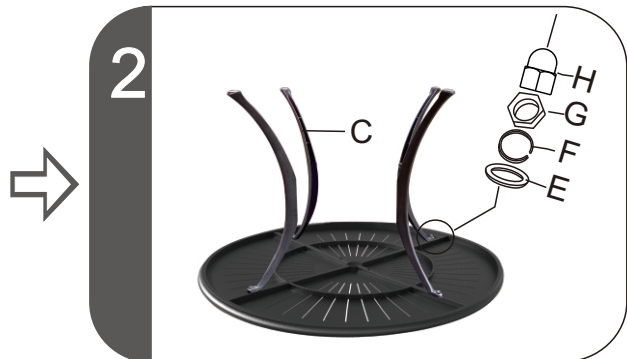
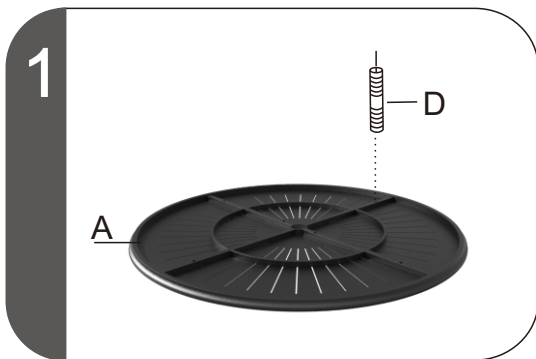
## ATTENTION:








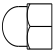
1. Please read these instructions carefully before assembly.
2. Aluminum is soft metal over tighten may strip threads or break the part.
3. DO NOT use power tools.

## Assembly step:

1. Turn the table top(A) upside down on the soft clean surface. Loosely attach 4 bolts(D) to the table top.  
Tighten the bolts at this time.
2. Loosely attach the legs(C) to the table top with flat washers(E), lock washers(F), nuts(G) and nut caps(H).  
DO NOT tighten the nuts.
3. Loosely attach each of the 4 center plates(B) to the legs. Note that the recessed end of each plate goes on the leg last at each corner. Secure using flat washers, lock washers, nuts and nut caps.
4. Tighten all the bolts and nuts completely. DO NOT over-tighten.
5. Turn the table onto its legs and use the adjuster feet to level the tables.

Warning : DO NOT use acid or alkaline washing liquid to clean the product.



Parts list	Parts picture	Description	Q'ty	Parts list	Parts picture	Description	Q'ty
A		Table top	1	D	 (M8*45)	Bolt	4
B		Center plate	4	E	 (M8)	Flat washer	12
C		Table leg	4	F	 (M8)	Lock washer	12
				G	 (M8)	Nut	12
				H		Nut cap	12