

# THANK YOU!

## NOTE:

To continuously improve its products, reserves the right to modify this information without prior notification.

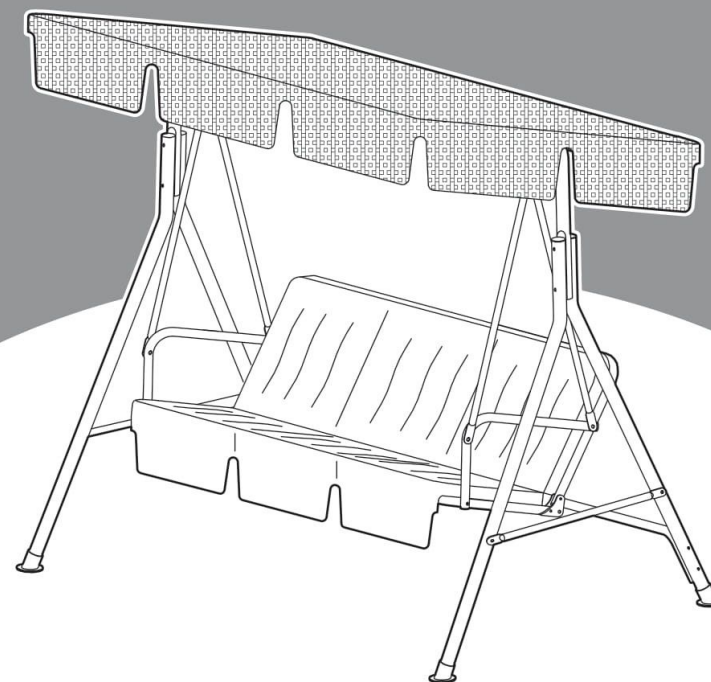
For any questions regarding assembly, please watch the video on the product page or contact our customer service. Our customer service will gladly assist you with any additional questions, comments, or concerns.

Thank you for using our products in your home!

Thank You for Purchasing from

# HOW-TO

## USER MANUAL



## 3-Seat Swing Chair

Assembly is EASY!

**WE WANT  
YOU TO  
ENJOY LIFE  
AT HOME**

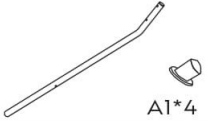


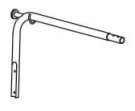





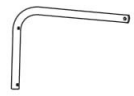








GO TO THE PRODUCT LISTING PAGE  
FOR AN INSTRUCTIONAL VIDEO!

## CONTENTS

Parts List and Diagram.....	1
Assembly Steps.....	3
Warranty.....	15










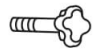




## SECTION A

## Parts List and Diagram

Item No.	Reference Image	Qty.	Item No.	Reference Image	Qty.
<b>A</b>	 A1*4	x2	<b>B</b>		x2
<b>C</b>		x1	<b>D</b>		x1
<b>E</b>		x2	<b>E1</b>		x4
<b>F</b>		x1	<b>G</b>		x1
<b>H</b>		x2	<b>I</b>		x2
<b>J</b>		x1	<b>K</b>		x2
<b>L</b>		x2	<b>M</b>		x1
<b>N</b>		x1	<b>O</b>	 M6*30	x1
<b>P</b>	 M8*40	x2	<b>Q</b>	 M8*47	x2

## SECTION A

## Parts List and Diagram

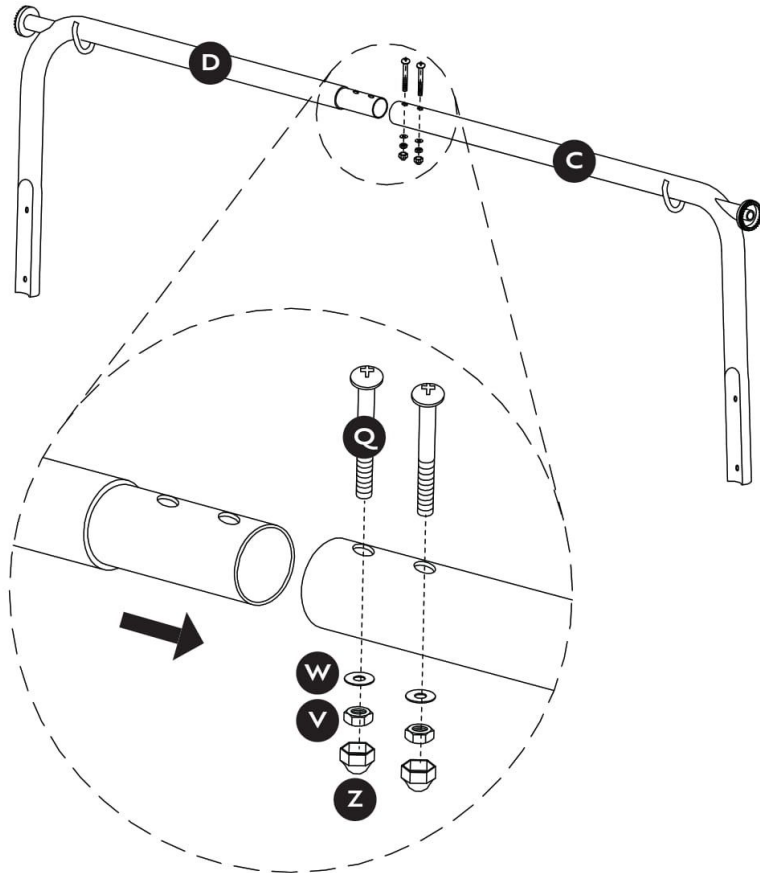
Item No.	Reference Image	Qty.	Item No.	Reference Image	Qty.
<b>R</b>	 M8*60	x2	<b>S</b>	 M8*65	x2
<b>T</b>	 M8*68	x4	<b>U</b>	 M6*87	x4
<b>V</b>	 M6	x15	<b>W</b>	 M6	x15
	 M8	x6		 M8	x6
<b>X</b>	 M6*52	x4	<b>Y</b>		x2
<b>Z</b>	 M6	x15	<b>AA</b>	 M6&M8	x1
	 M8	x6	<b>BB</b>		x1

# Assembly Steps

## STEP 1

**C** x 1 pc. **D** x 1 pc. **Q** x 2 pcs. **V** x 2 pcs.

**W** x 2 pcs. **Z** x 2 pcs.

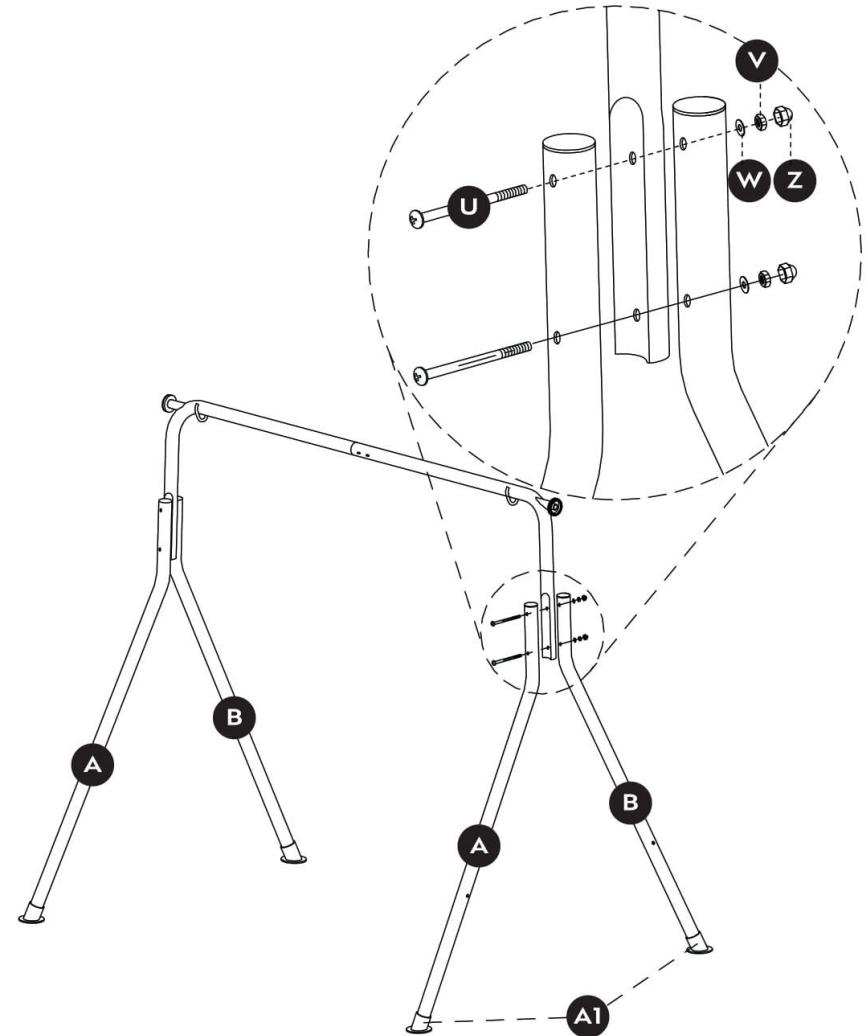


# Assembly Steps

## STEP 2

**A** x 2 pcs. **A1** x 4 pcs. **B** x 2 pcs. **U** x 2 pcs.

**V** x 2 pcs. **W** x 2 pcs. **Z** x 2 pcs.

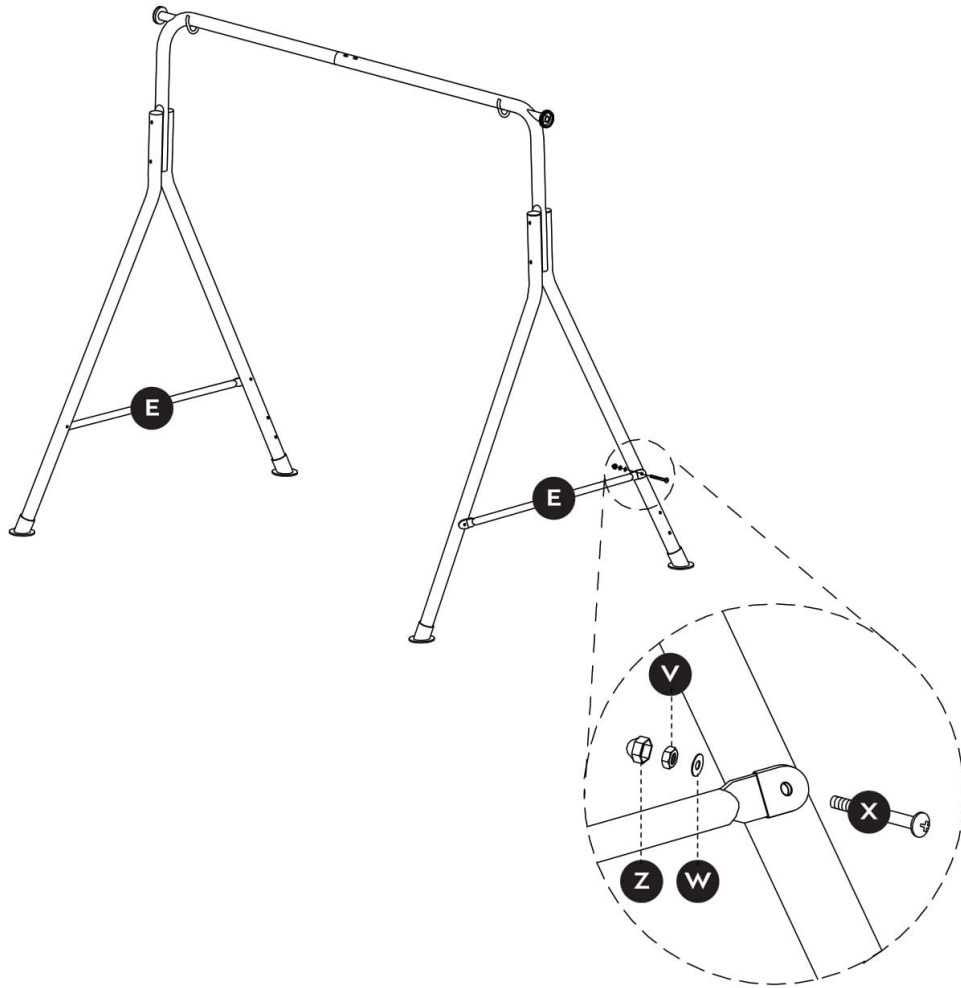


# Assembly Steps

## STEP 3

**E** x 2 pcs. **V** x 4 pcs. **W** x 2 pcs. **X** x 2 pcs.

**Z** x 2 pcs.

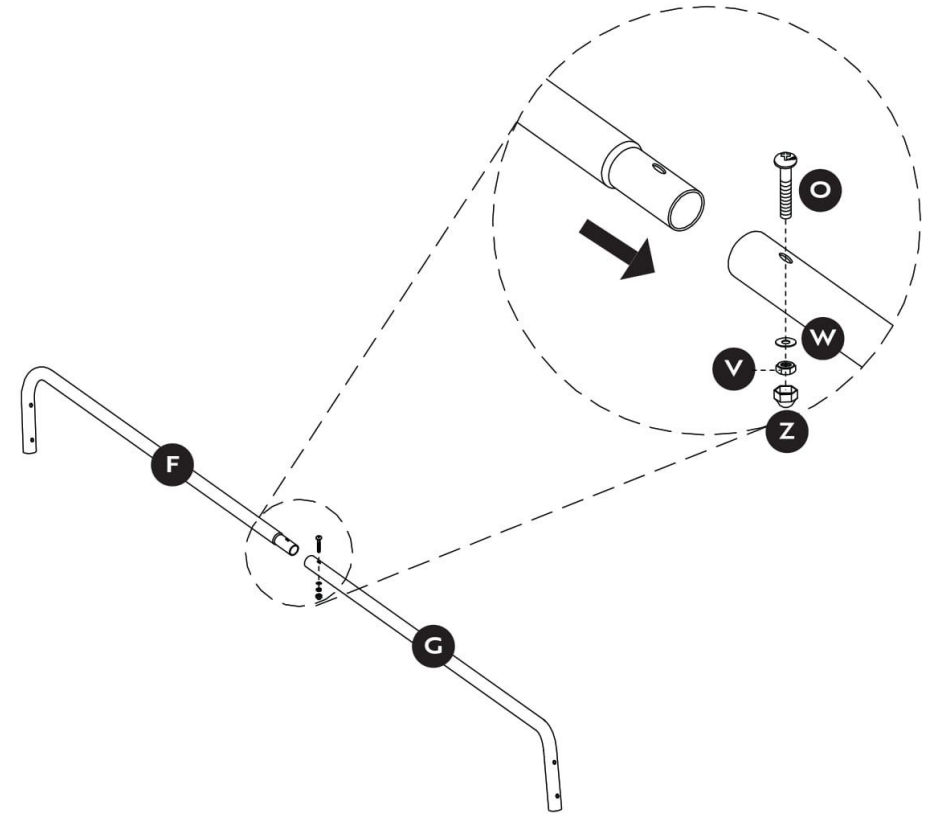


# Assembly Steps

## STEP 4

**F** x 1 pc. **G** x 1 pc. **O** x 1 pc. **V** x 1 pc.

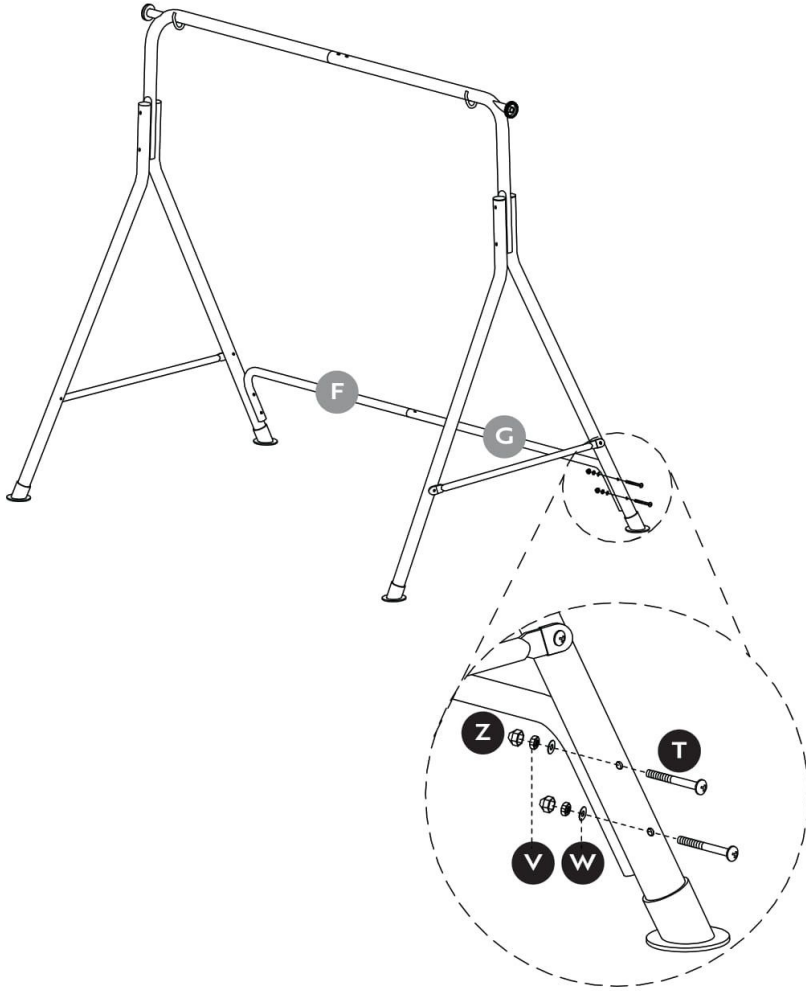
**W** x 1 pc. **Z** x 1 pc.



# Assembly Steps

## STEP 5

T x 2 pcs. V x 2 pcs. W x 2 pcs. Z x 2 pcs.

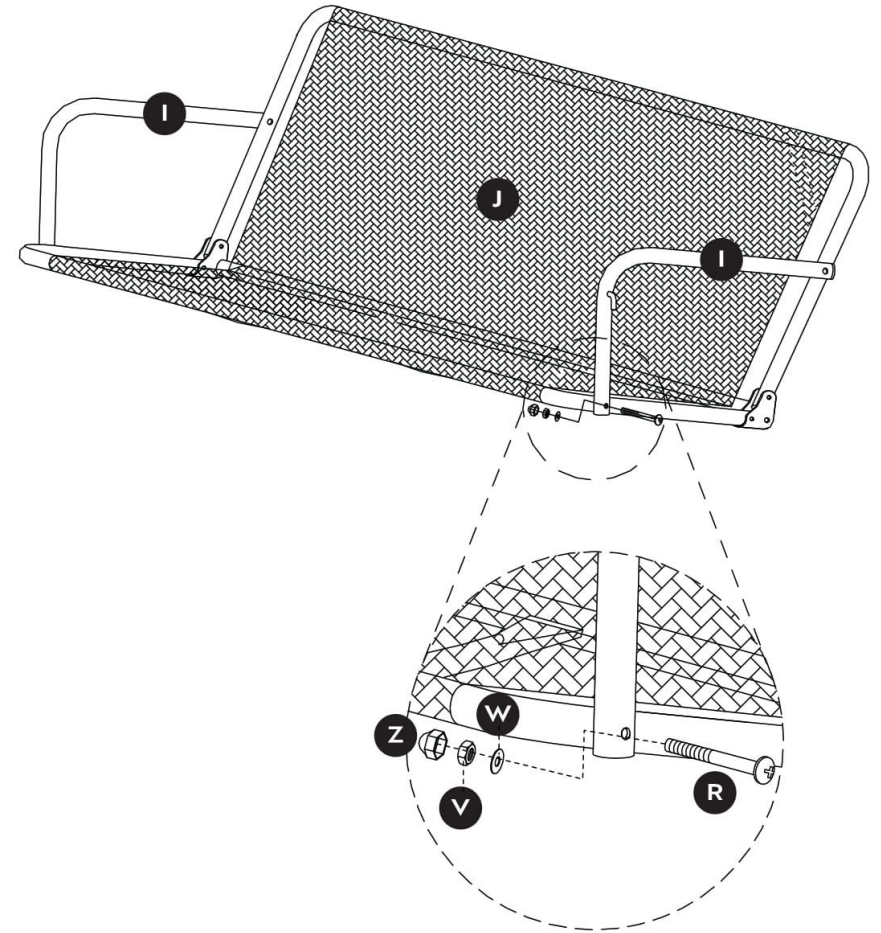


# Assembly Steps

## STEP 6

I x 2 pcs. J x 1 pc. R x 2 pcs. V x 2 pcs.

W x 2 pcs. Z x 2 pcs.

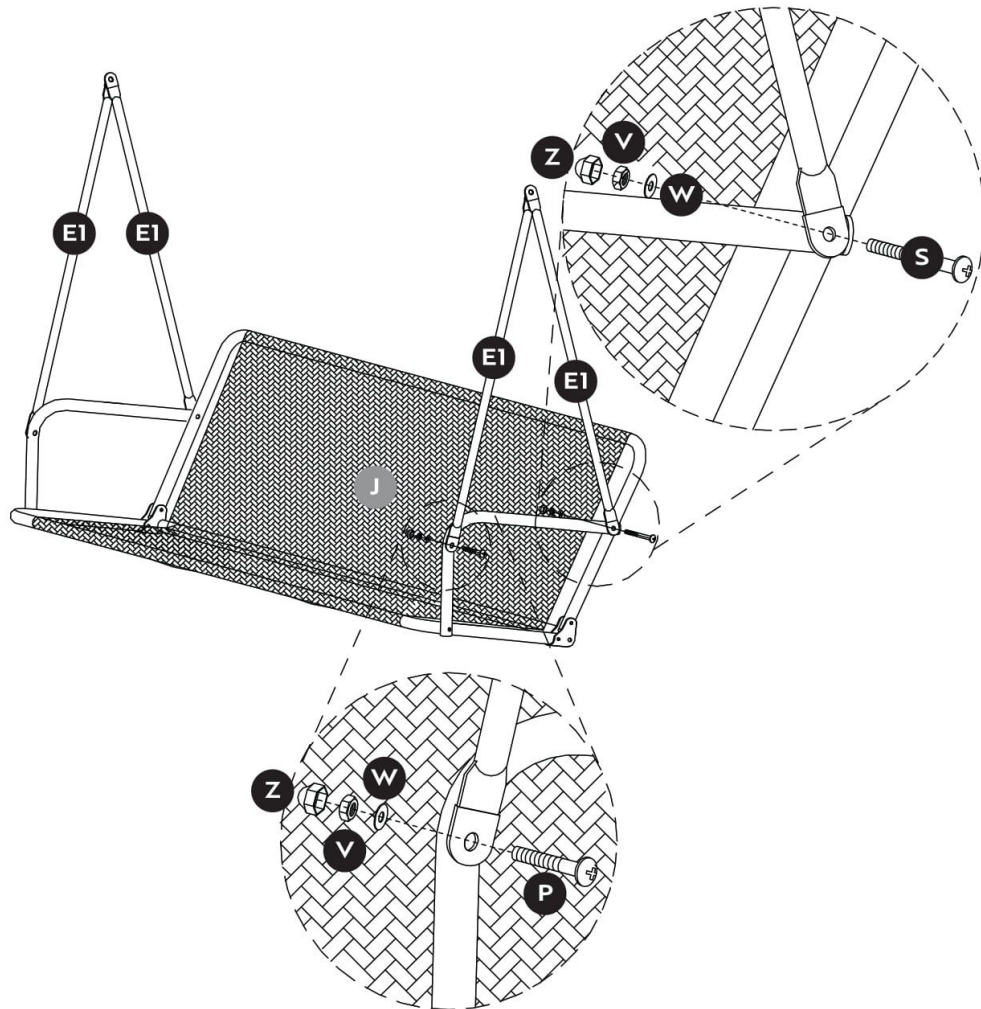


# Assembly Steps

## STEP 7

**E1** x 4 pcs. **V** x 4 pcs. **W** x 4 pcs. **Z** x 4 pcs.

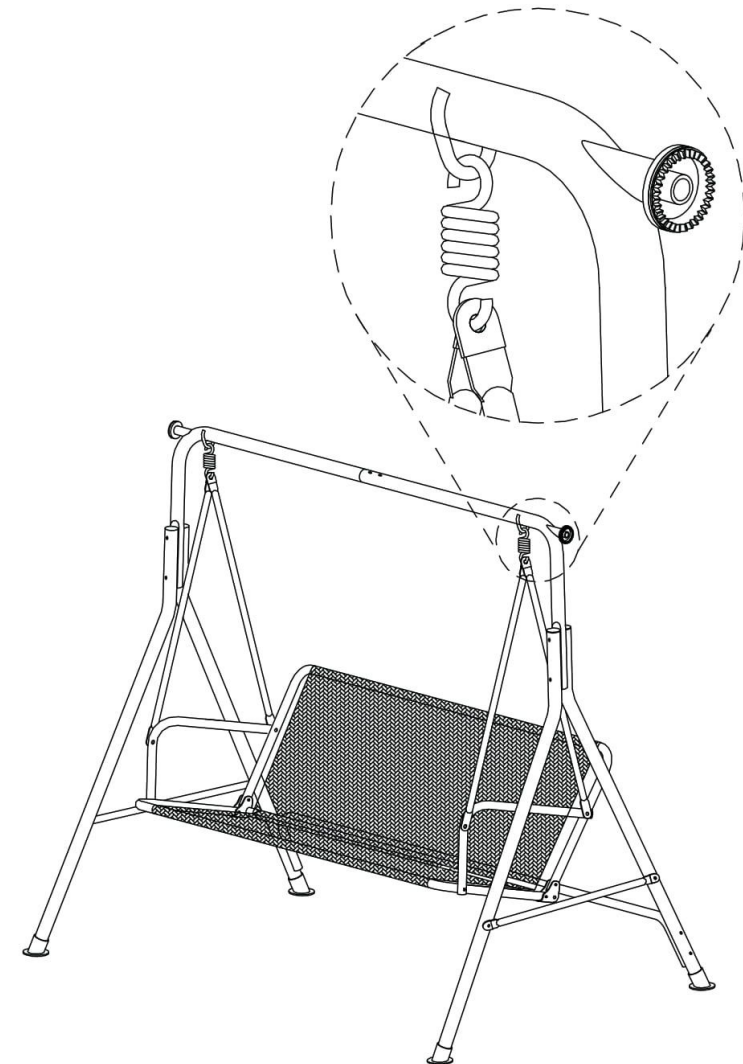
**P** x 2 pcs. **S** x 2 pcs.



# Assembly Steps

## STEP 8

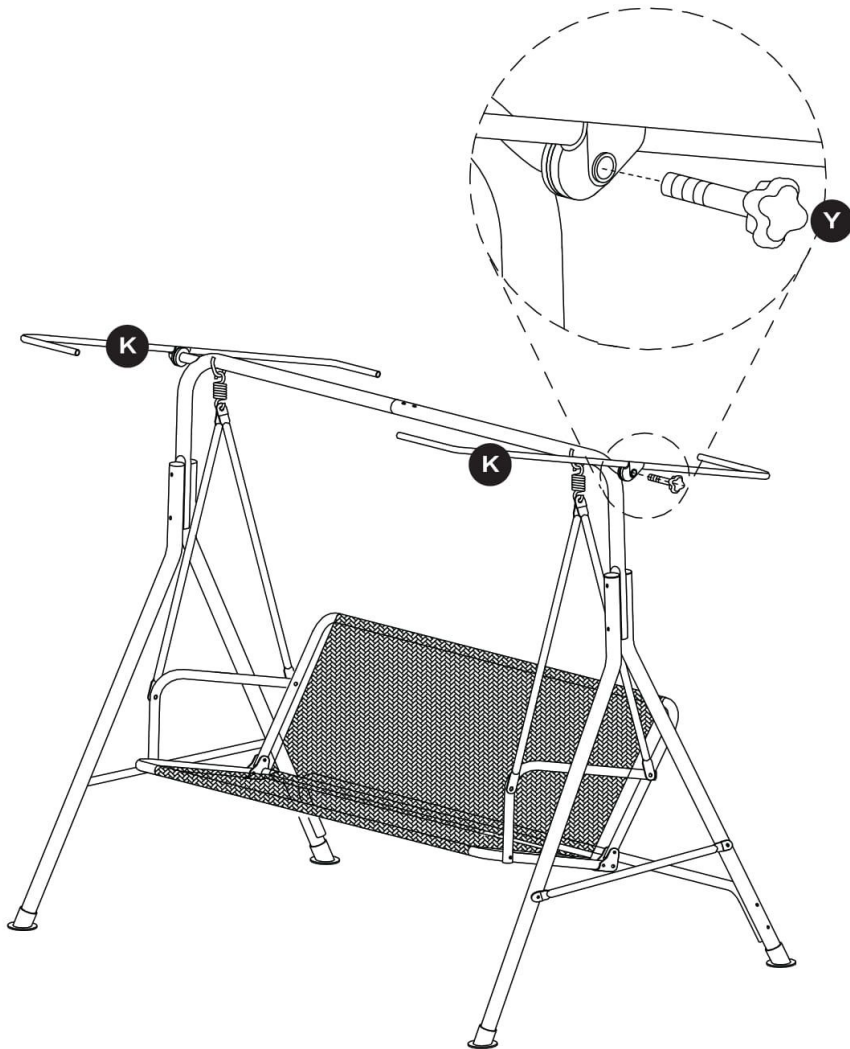
**H** x 2 pcs.



# Assembly Steps

## STEP 9

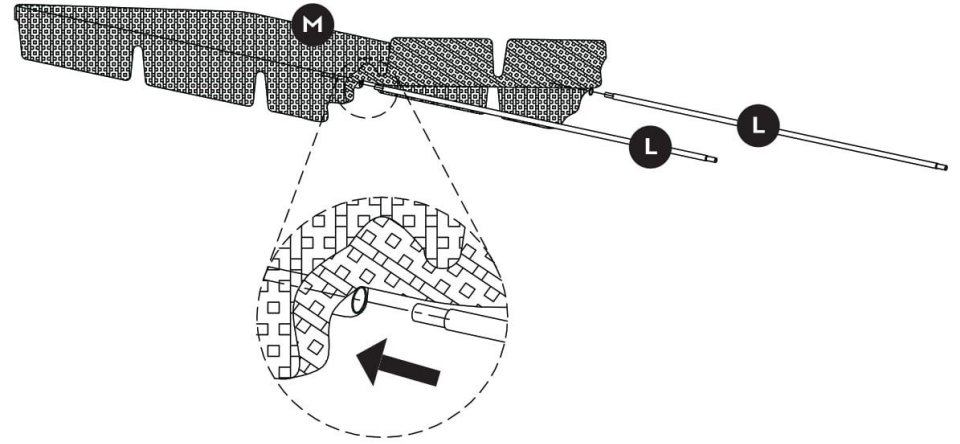
**K** x 2 pcs. **Y** x 2 pcs.



# Assembly Steps

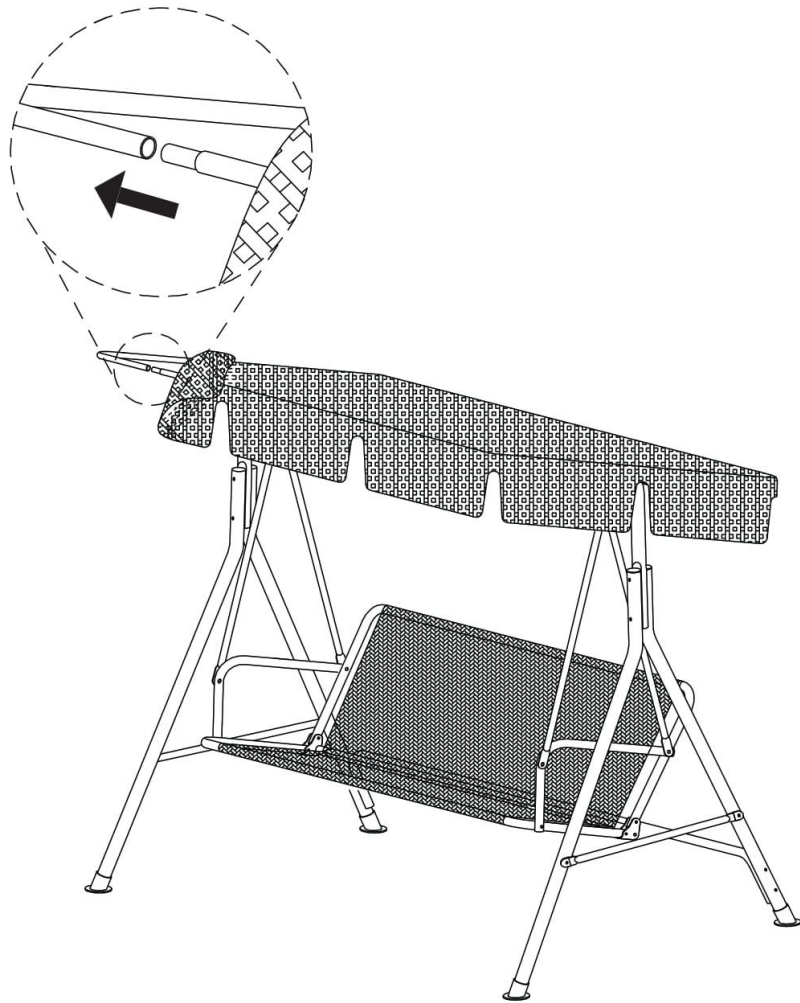
## STEP 10

**L** x 2 pcs. **M** x 1 pc.



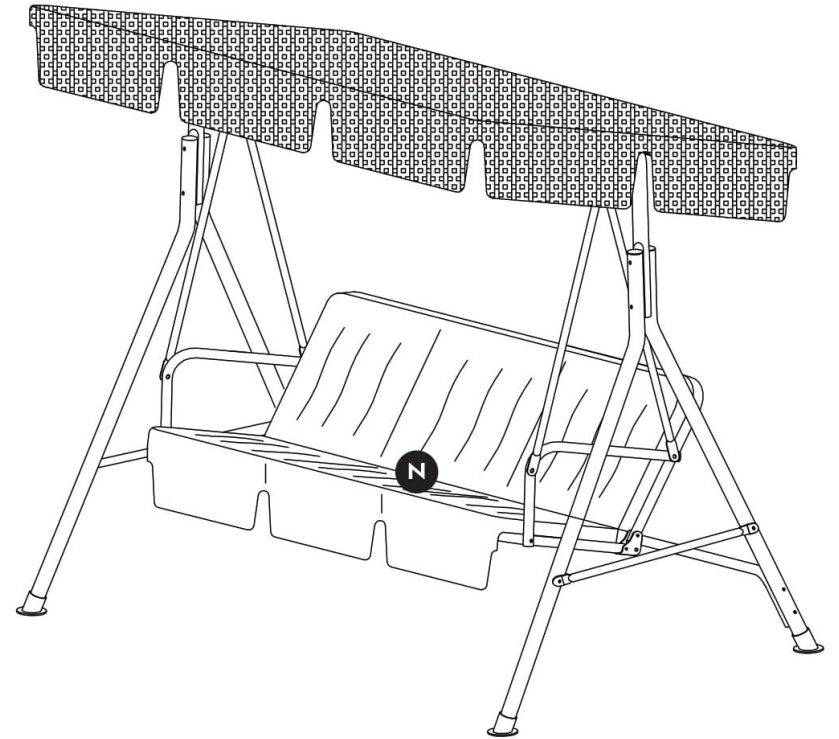
# Assembly Steps

## STEP 11



# Assembly Steps

## STEP 12 **N** x 1 pc.



## Warranty

The warranty program is our commitment to you.

We are committed to providing you with a high-quality product that meets your needs and expectations. To demonstrate our confidence in the durability and performance of our products, we offer the following warranty.

### WARRANTY COVERAGE

This warranty program applies to any orders, purchases, receipts, or use of any products sold by and is valid for a period of 1 year from the date of purchase. However, please note that this warranty period is only valid for the original order. If you receive a replacement order during the warranty period, it will not include a separate warranty period.

### WARRANTY EXCLUSIONS

This warranty does not cover damage resulting from misuse, accident, unauthorized modification, or any other circumstances not directly related to the manufacturing and design of the product, including but not limited to:

- Parts lost during use.
- Normal wear and tear of products or parts.
- Incorrect installation (such as using the wrong voltage) or assembly.
- Exceeding the bearing capacity of the product.
- Use under extremely harsh conditions.
- Improper cleaning or maintenance.
- Damage caused by any reason other than the intended use of the product.
- Indirect loss or damage caused by the product.

## Warranty

### HOW TO MAKE A WARRANTY CLAIM

If you find any defects that affect the use of the product or if the product stops working and cannot be repaired during the warranty period, please contact our customer service team at our email or via Amazon & app' s direct messaging service as soon as possible. Provide the following information to expedite the process:

- Order number
- Images and/or videos illustrating the issue
- A detailed description of the problem

will provide technical support, replacement, refund, or other solutions based on the nature of the issue. If you wish to return the original package for any reason, please contact us for confirmation before proceeding. You can expect to receive a response within 48 hours.

Thank you for choosing . We are committed to ensuring the quality and satisfaction of your purchase. If you have any questions or need assistance, please do not hesitate to contact our customer service team.