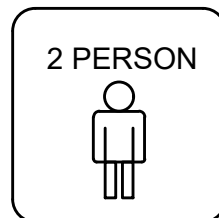
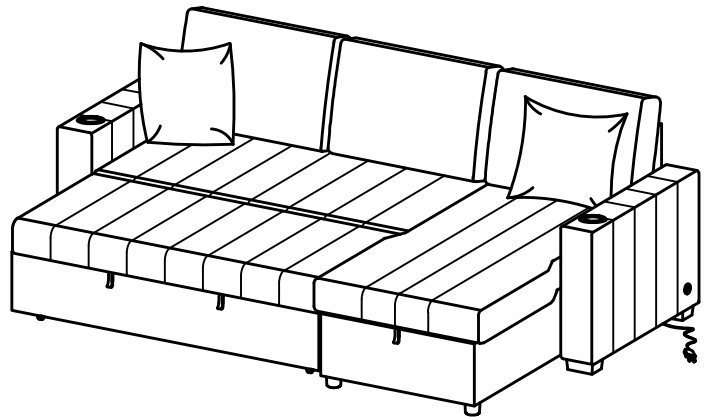
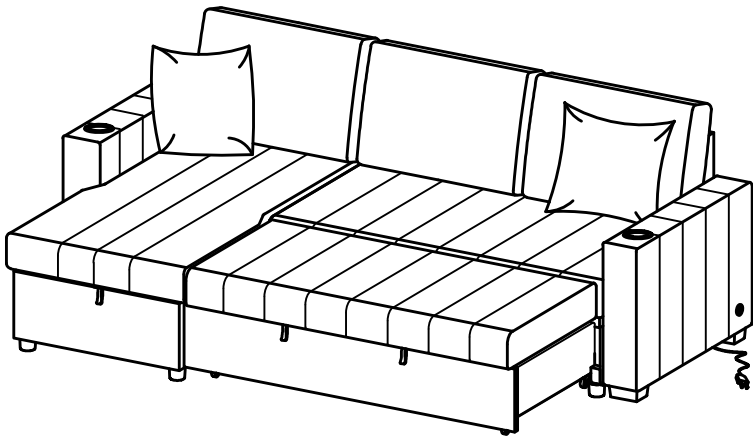
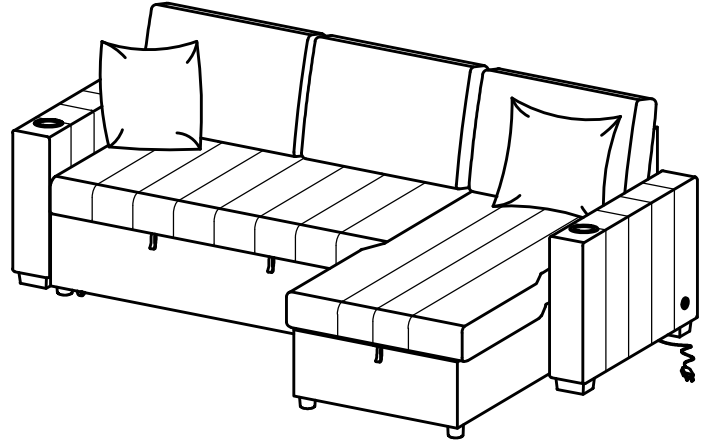
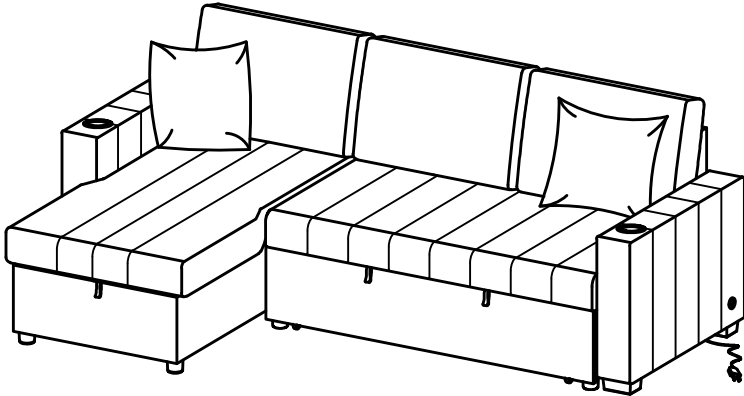
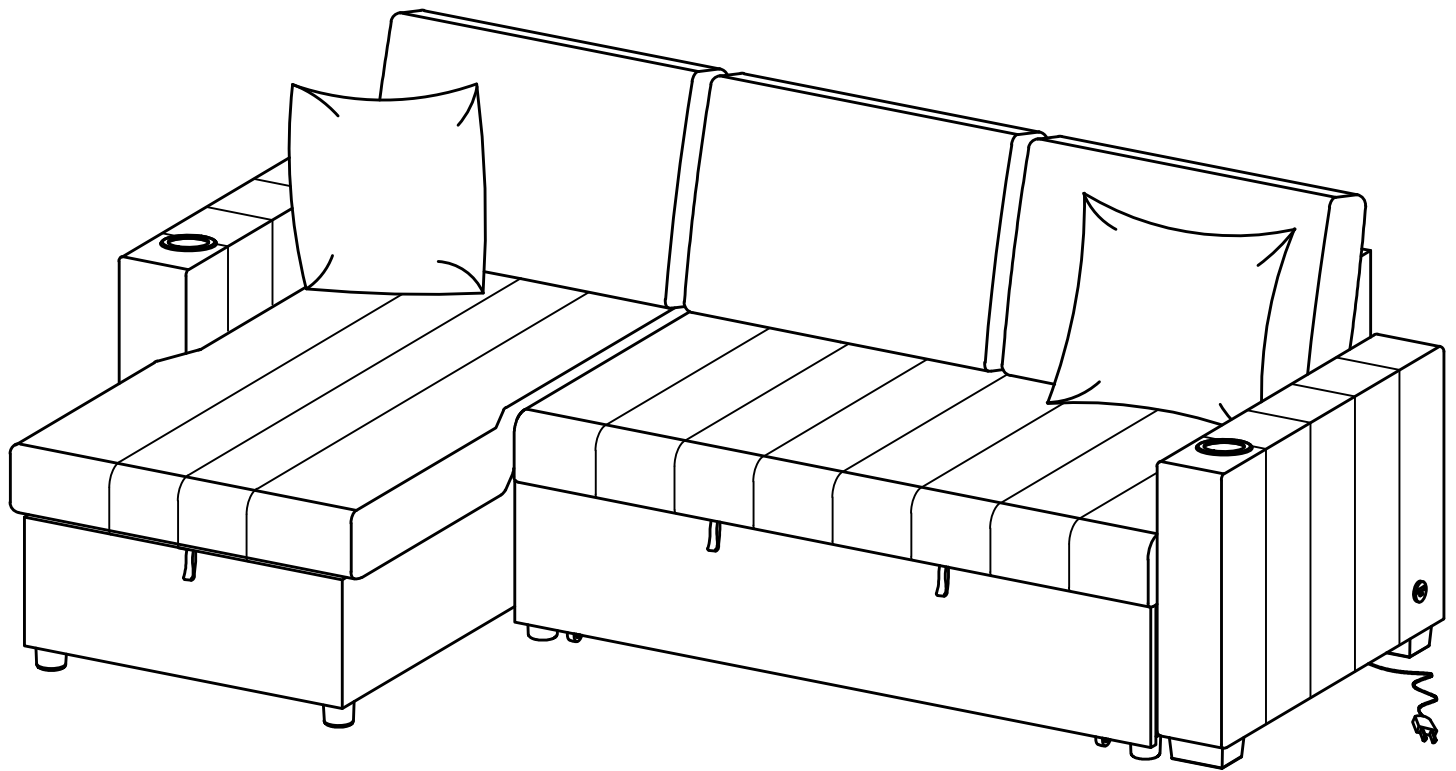

A89440



Necessary assembly time: 30 minutes.

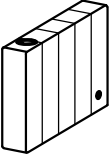
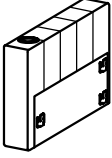
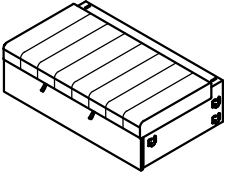
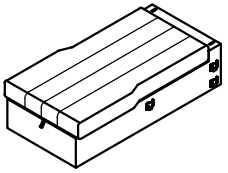
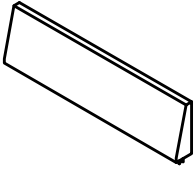
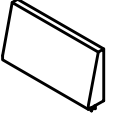
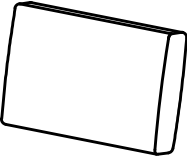
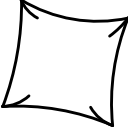






1. Do not use this product unless all screws and bolts are securely tightened.
2. Check that all screws and bolts are tight every three months or as needed.
3. Dispose of packing material properly. Do not use plastic cover as head covering. It may cause suffocation.
4. Do not use this product as a stepladder.
5. Use this product for its intended purpose only.
6. FOR INDOOR RESIDENTIAL USE ONLY.




ASSEMBLY INSTRUCTIONS

ITEM NO.: A89440

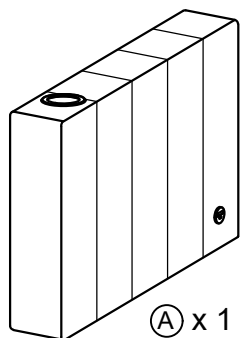
PARTS LIST

Ⓐ	x 1	Ⓑ	x 1	Ⓒ	x 1	Ⓓ	x 1	Ⓔ	x 1	Ⓕ	x 1
											
Right Arm		Left Arm		Loveseat Body		Chaise Body		Long Backrest		Short Backrest	
Ⓖ	x 3	Ⓗ	x 2	Ⓘ	x 4	Ⓝ	x 4	Ⓚ	x 8	Ⓛ	x 8
											
Back Cushion		Pillow		Wheels		Square Leg		Round Legs		Plastic Washer	

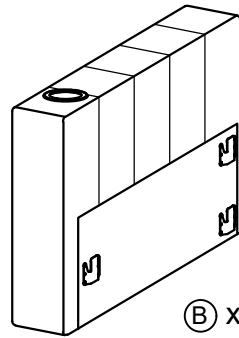
HARDWARE LIST

①	x 8	②	x 8	③	x 1
					
Bolt 1/4" x 20mm		Bolt 5/16" x 50mm		Allen Key 4mm	

BOX-1: ARMREST

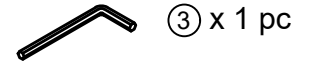
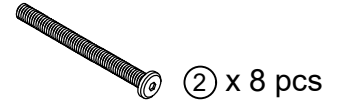
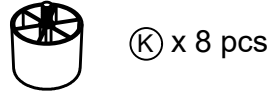
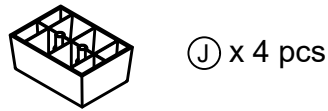
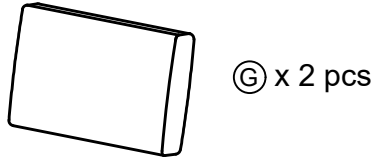
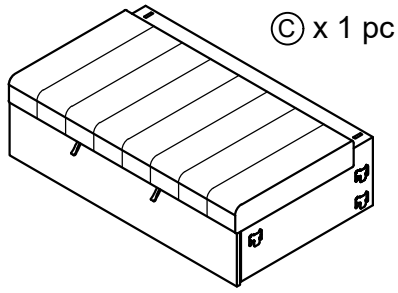


Ⓐ x 1 pc

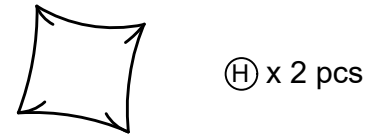
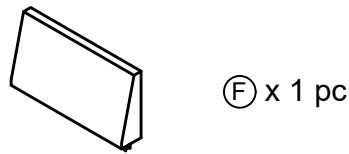
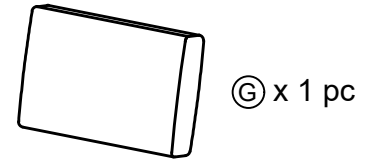
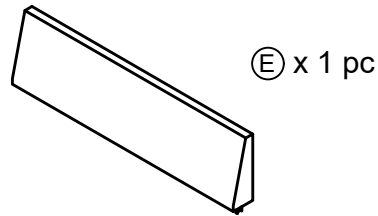
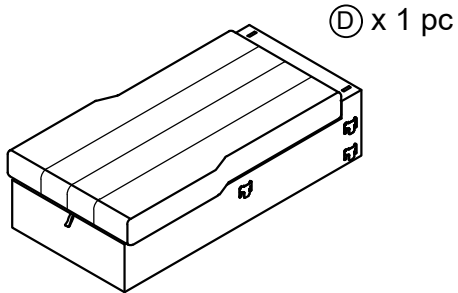


Ⓑ x 1 pc

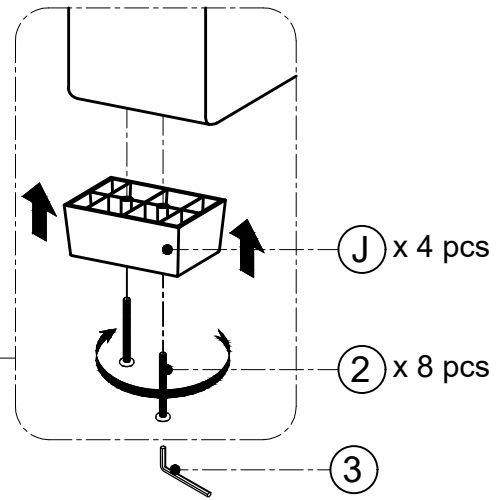
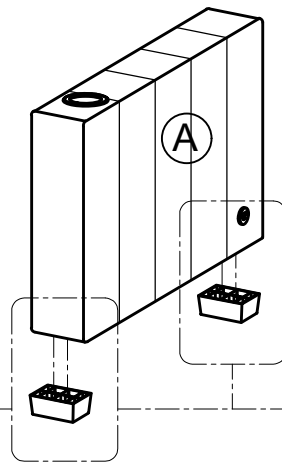
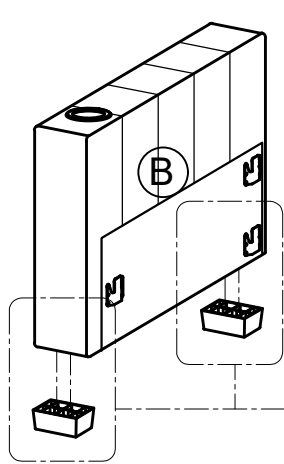
BOX-2: LOVESEAT

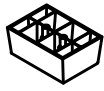



BOX-3: CHAISE




STEP 1:

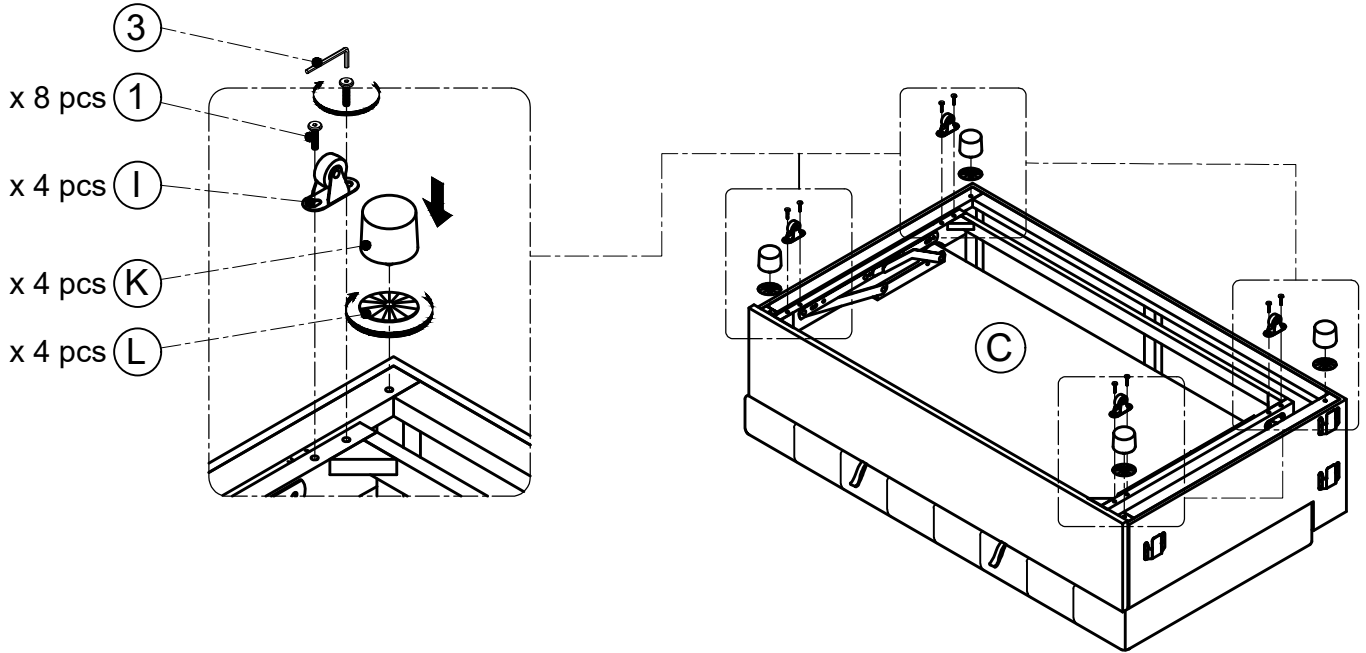


Ⓙ	x 4
	
Square Leg	

②	x 8
	
Bolt 5/16" x 50mm	

③	x 1
	
Allen Key 4mm	

STEP 2:



Ⓛ	x 4
Wheels	

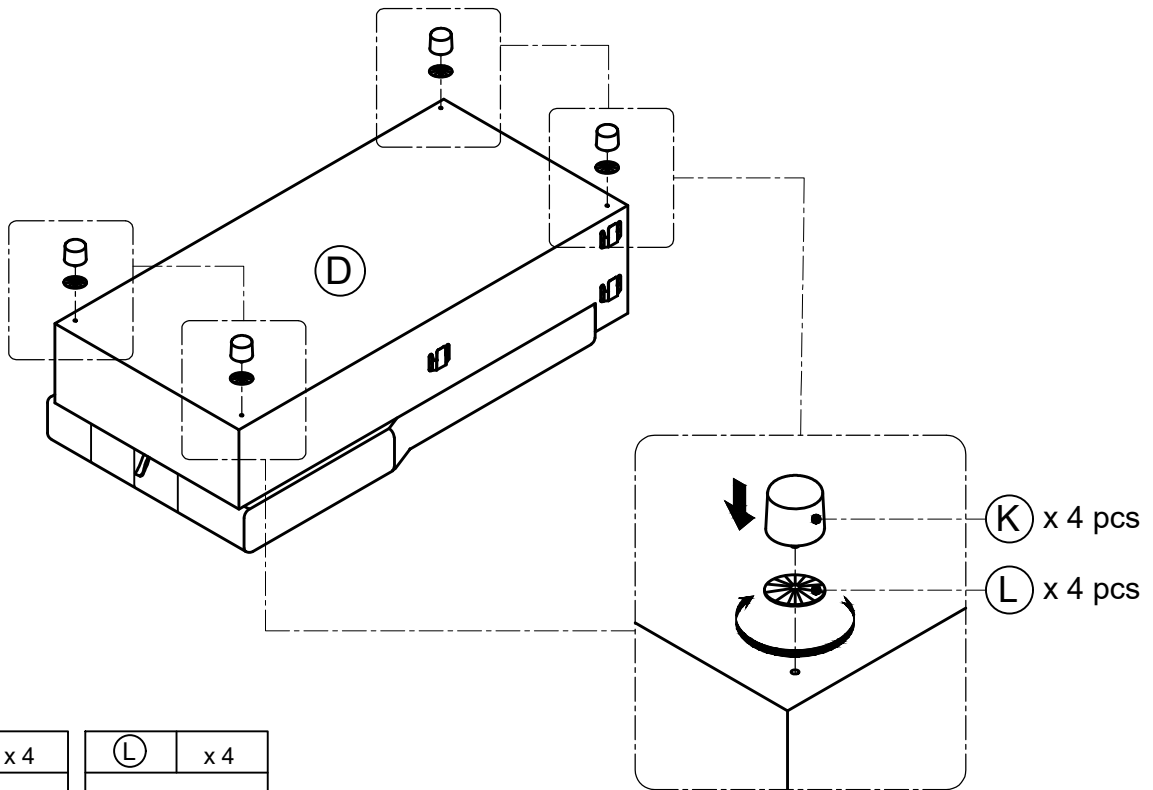
Ⓚ	x 4
Round Legs	

Ⓛ	x 4
Plastic Washer	

①	x 8
Bolt 1/4" x 20mm	

③	x 1
Allen Key 4mm	

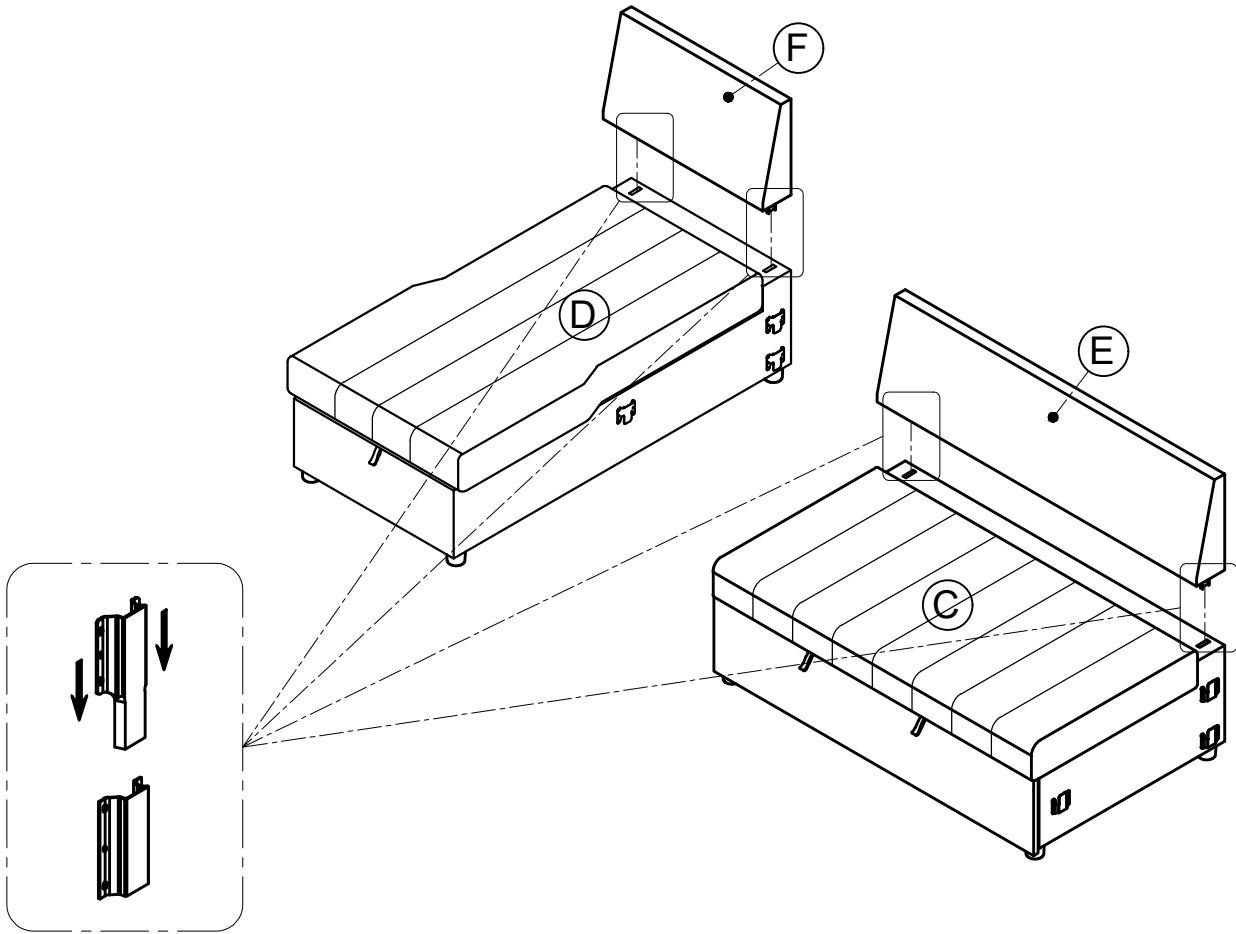
STEP 3:



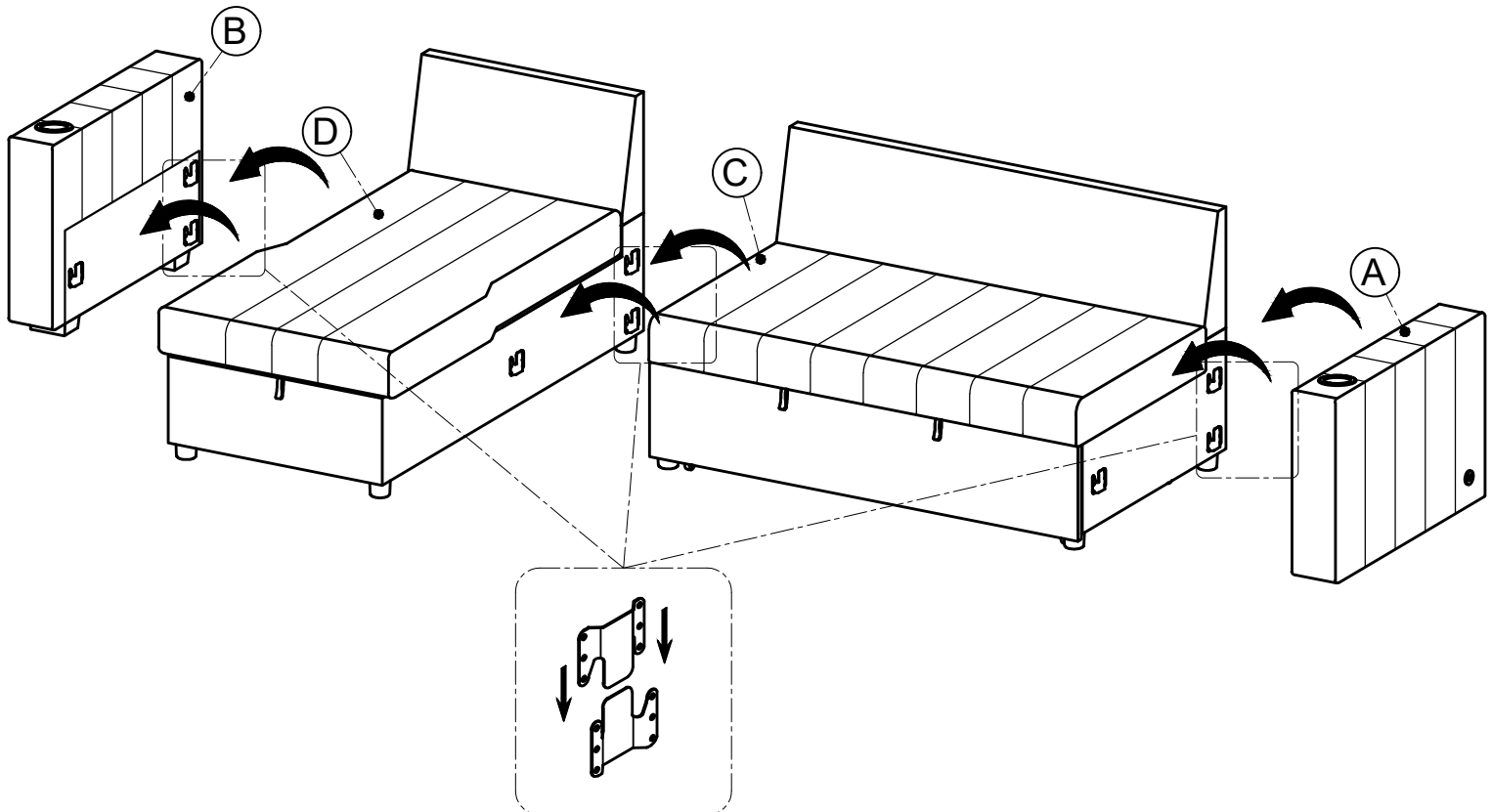
Ⓚ	x 4
Round Legs	

Ⓛ	x 4
Plastic Washer	

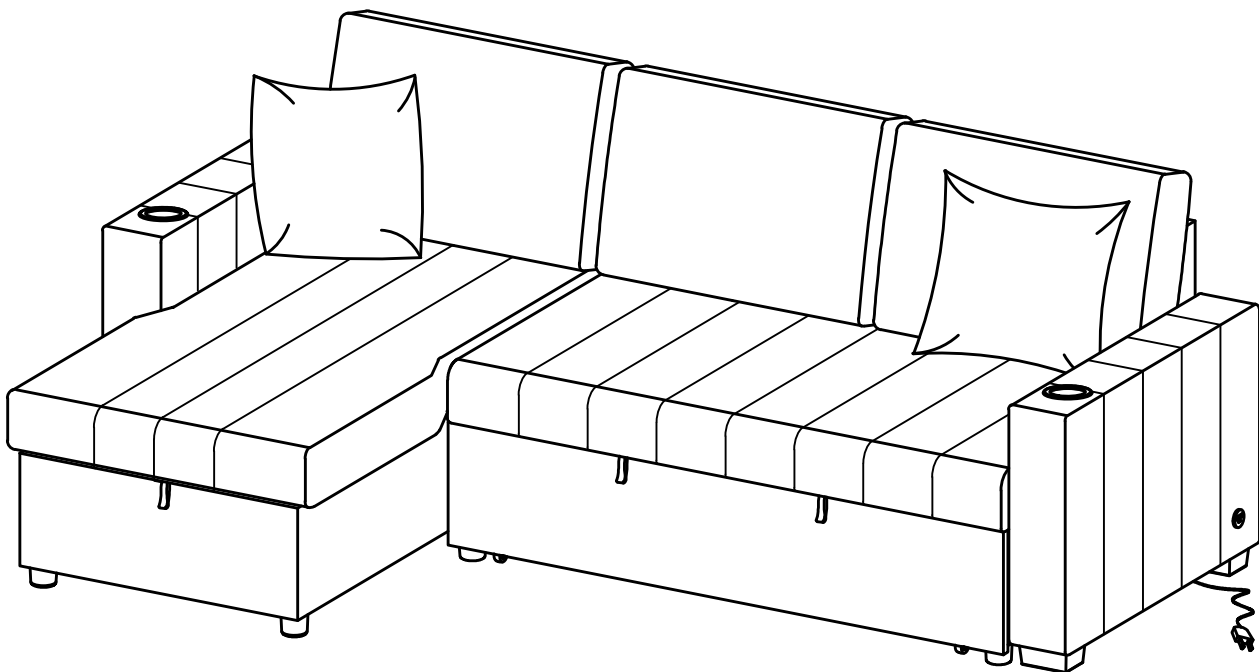
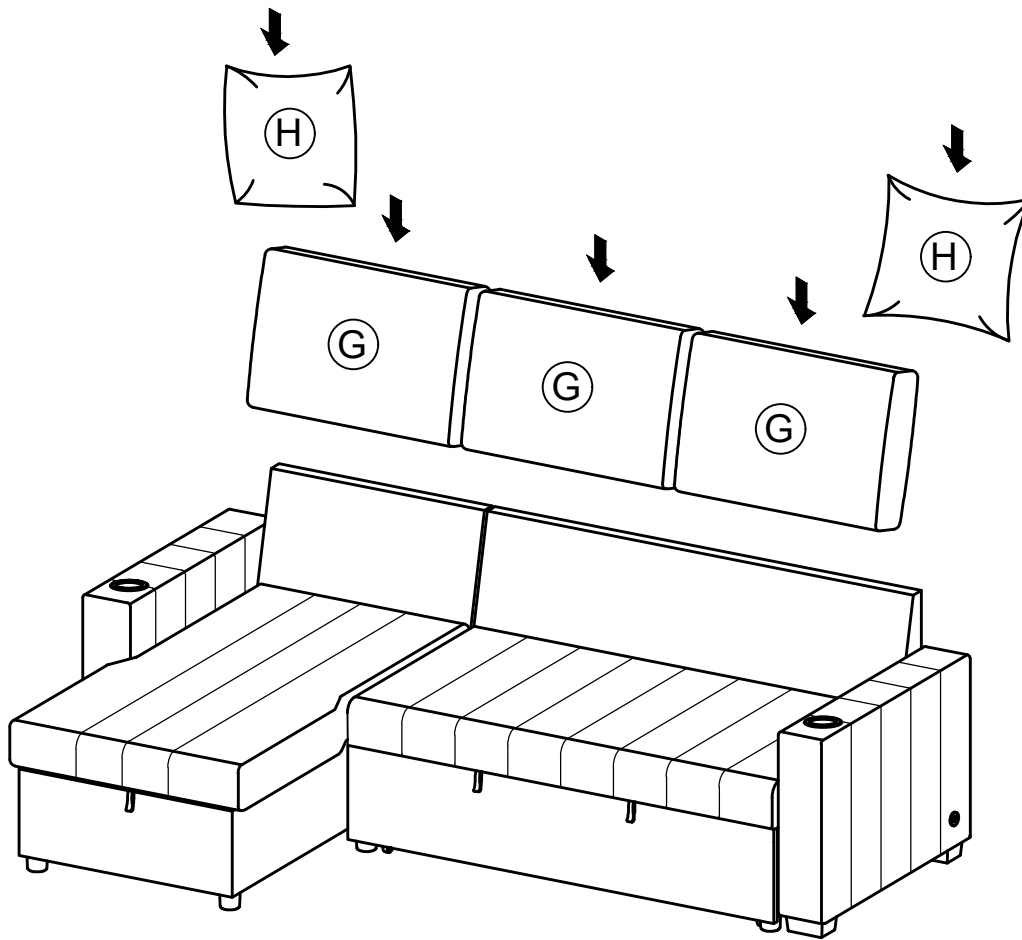
STEP 4:



STEP 5:

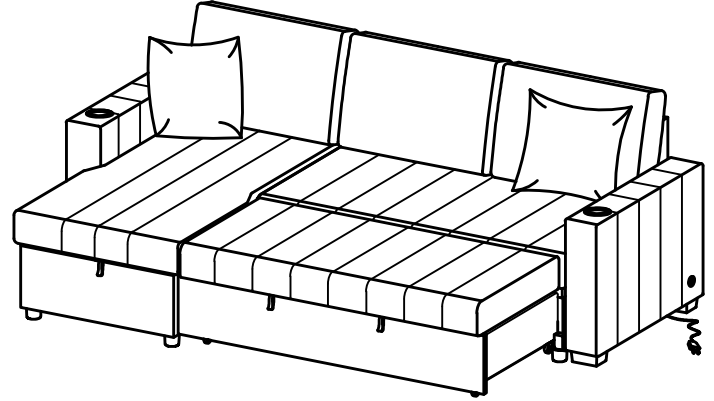
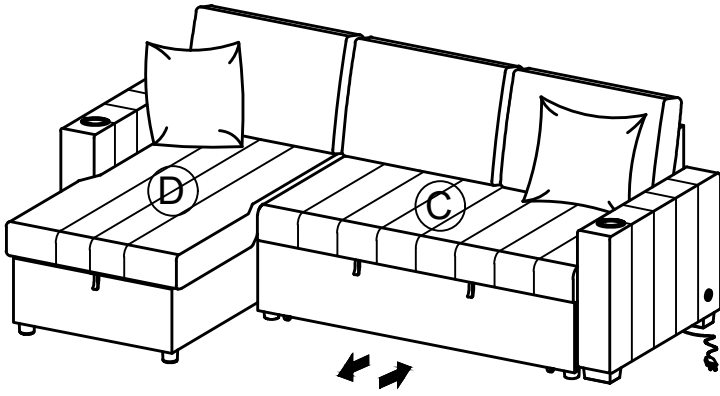


STEP 6:



COMPLETE

Option-1



Option-2

