




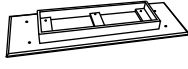
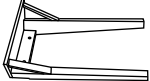
Assembly Instructions

McCutcheon Bench

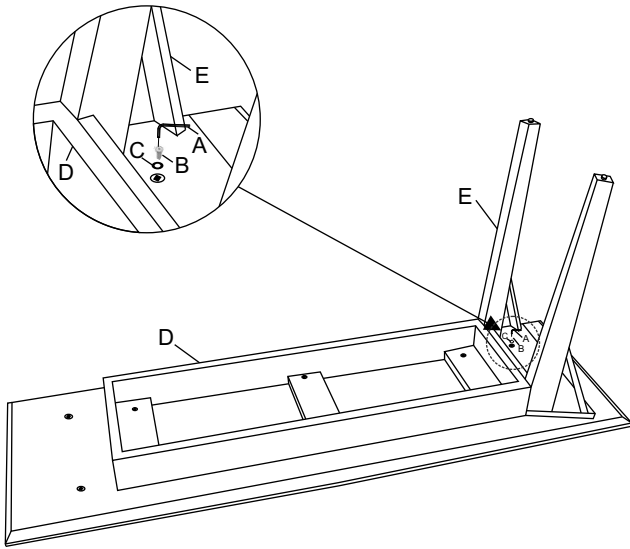
HARDWARE LIST:-

NO.	DESCRIPTION	IMAGE	QTY
A	ALLEN KEY (4mm)		1
B	ALLEN BOLT (6X20mm)		8
C	WASHER		8

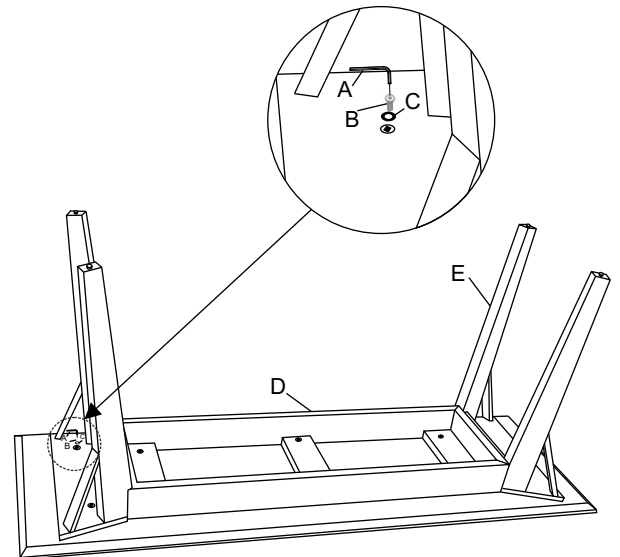
PART LIST:-

NO.	DESCRIPTION	IMAGE	QTY
D	TABLE TOP		1
E	LEGS		2

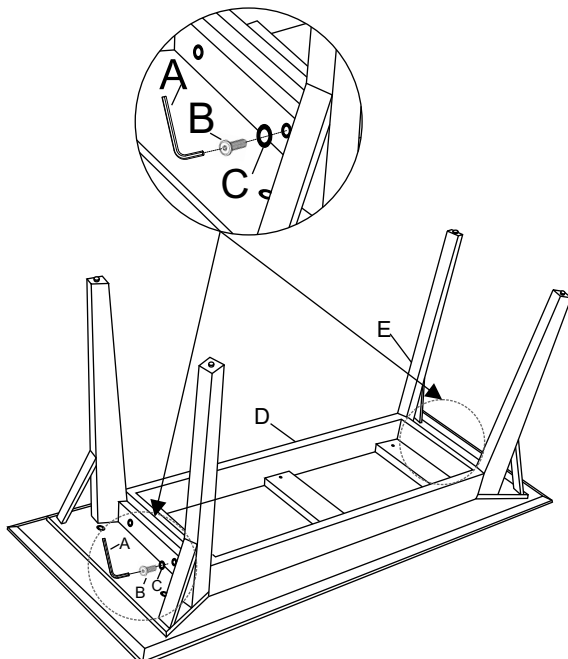
Step :- 1 Do not fully tighten bolts



Step :- 2



Step :- 3 Tighten all bolts.



Step :- 4 Ready For Use



Note:- If required please adjust levelers to make product stable.