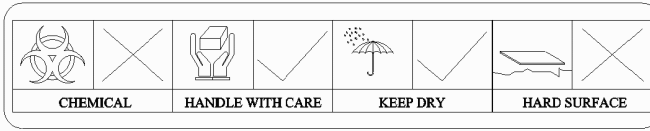
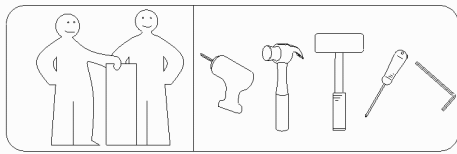
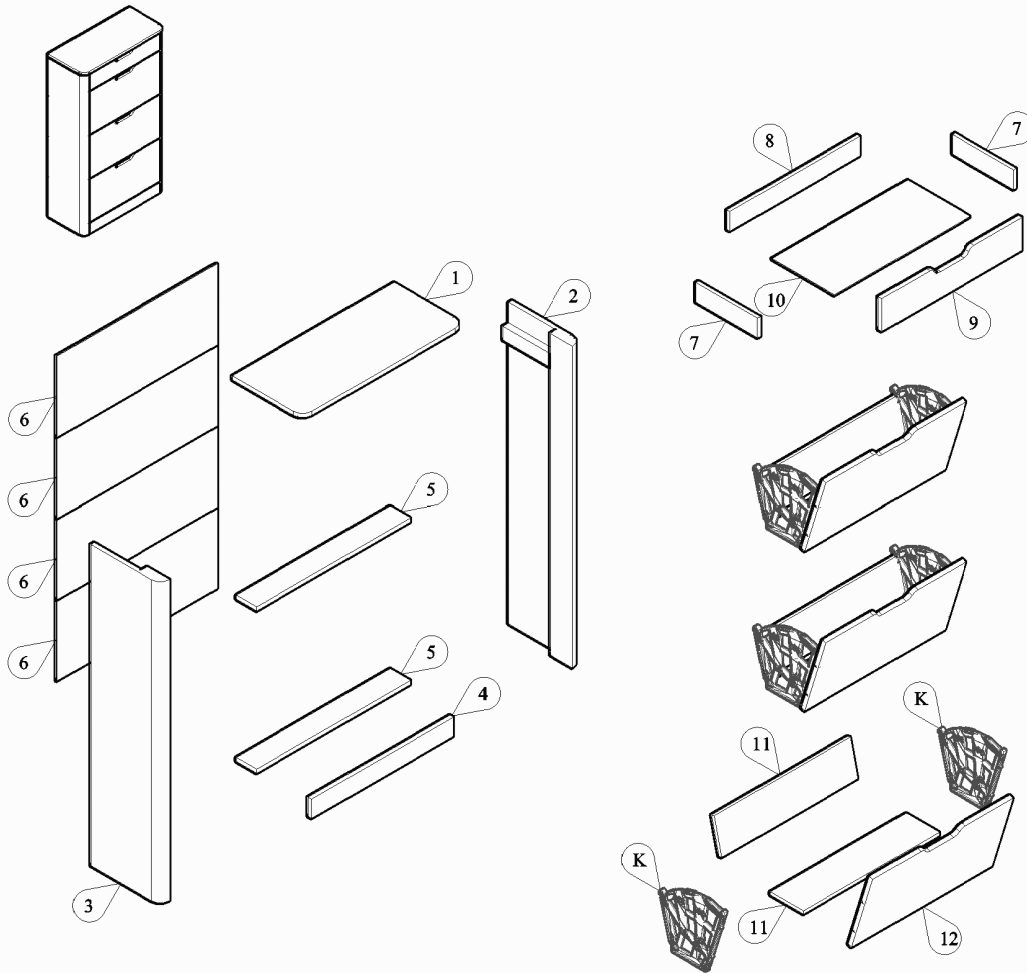


PANEL POSITION

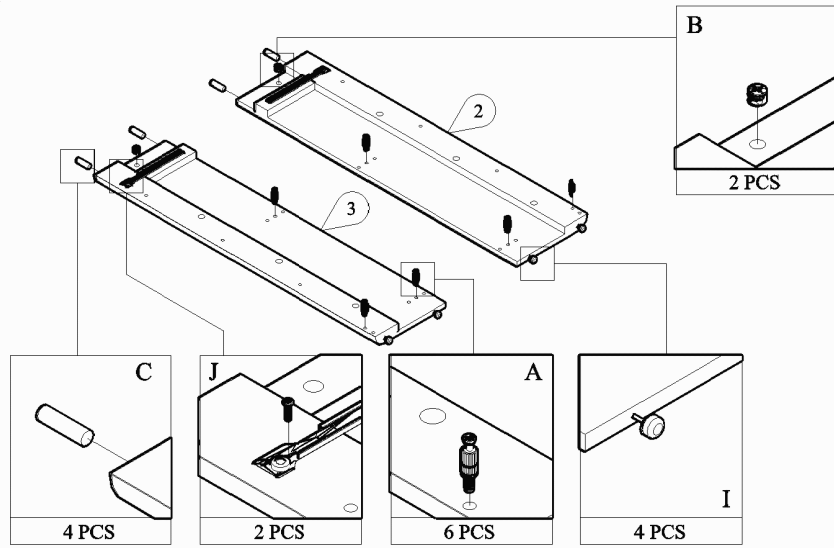


	ACCESSORIES	QUANTITY
A	MINIFIX M5x24MM	10 PCS
B	MINIFIX CASING	10 PCS
C	WOOD DOWEL M8x30MM	14 PCS
D	WOOD DOWEL M6x30MM	2 PCS
E	SCREW M4x32MM	10 PCS
F	SCREW M4x16MM	12 PCS
G	SCREW M3.5x16MM	12 PCS
H	POWER PIN	35 PCS
I	WHITE LEG PIN	4 PCS
J	DRAWER SLIDE 10" SCREW M3.5x12MM	1 SET 12 PCS
K	BRACKET	3 SETS
L	L-BRACKET	1 PC
M	SCREW M3.5x16MM	1 PC
N	WALL PLUG	1 PC
O	SCREW M4x28MM	1 PC
P	ALLEN KEY	1 PC

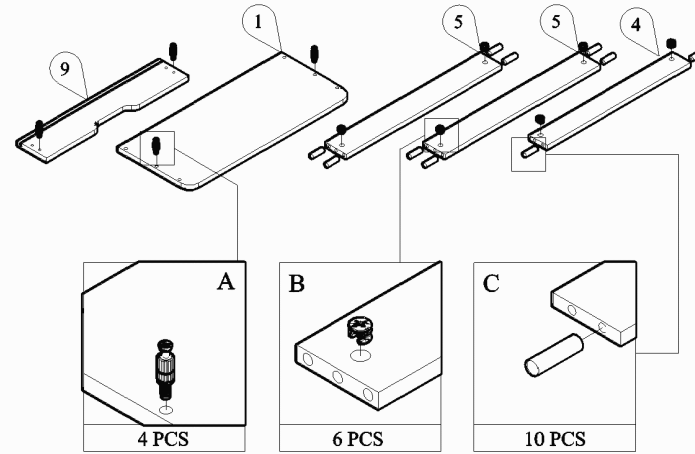


START ASSEMBLY

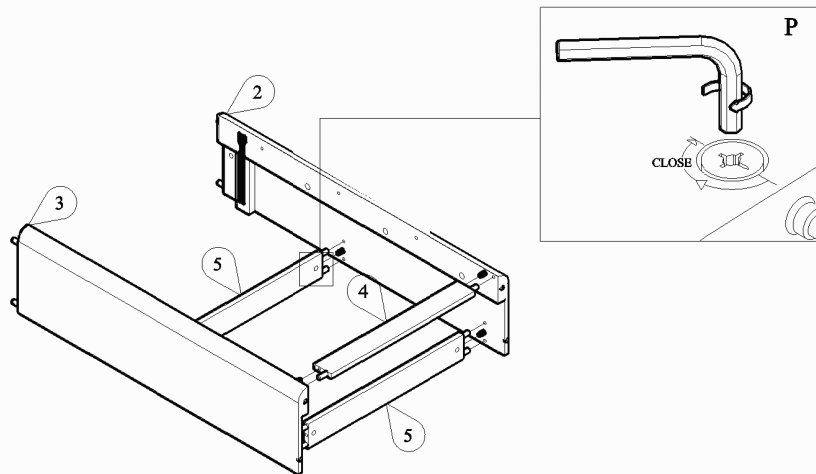
STEP 1



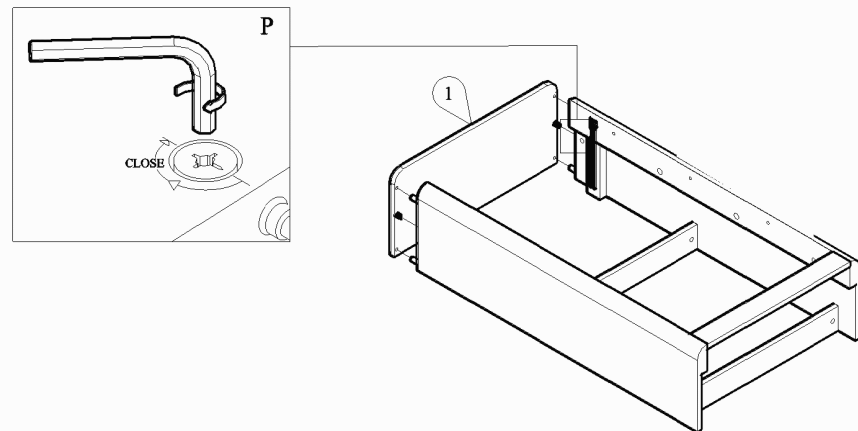
STEP 2



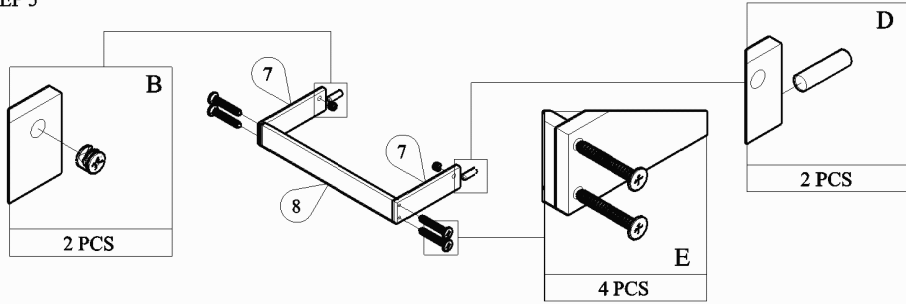
STEP 3



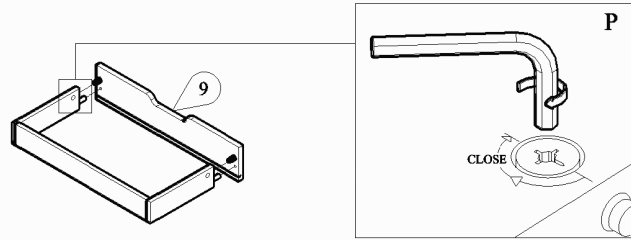
STEP 4



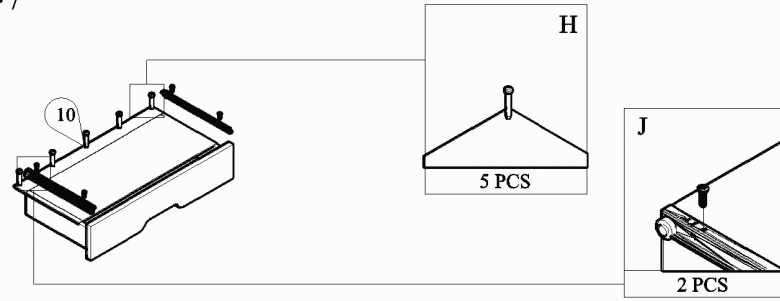
STEP 5



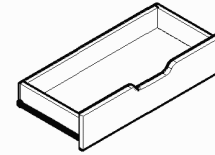
STEP 6



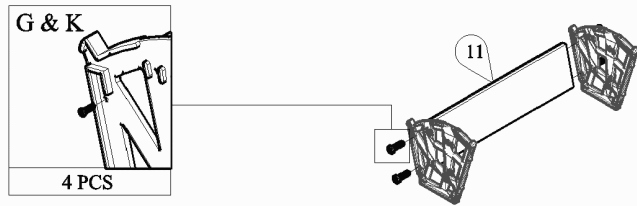
STEP 7



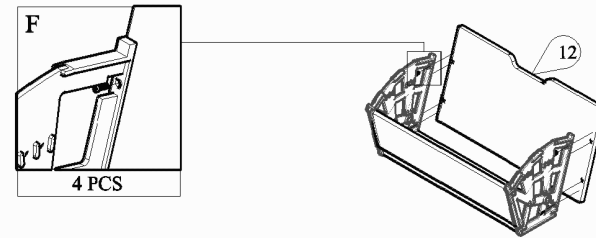
COMPLETED DRAWER SET



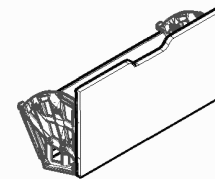
STEP 8



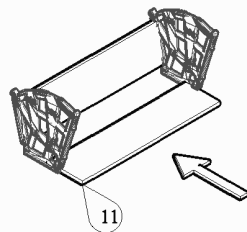
STEP 10



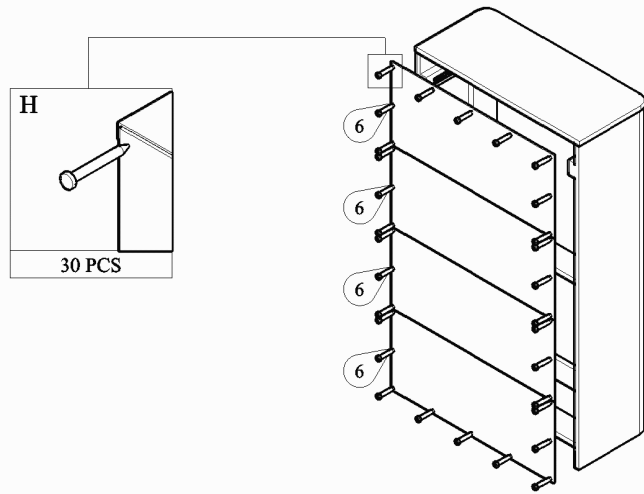
COMPLETED SHOES DRAWER (3 SETS)



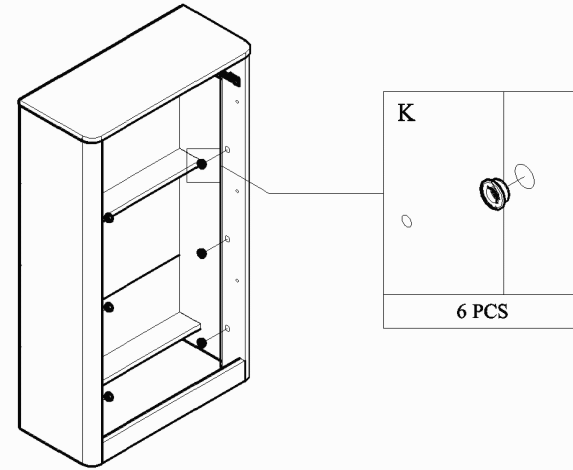
STEP 9



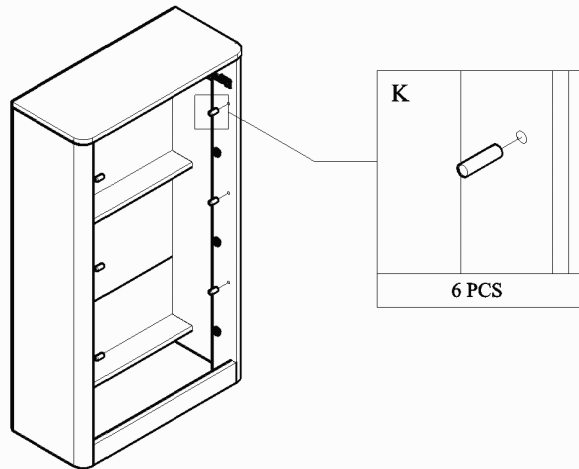
STEP 11



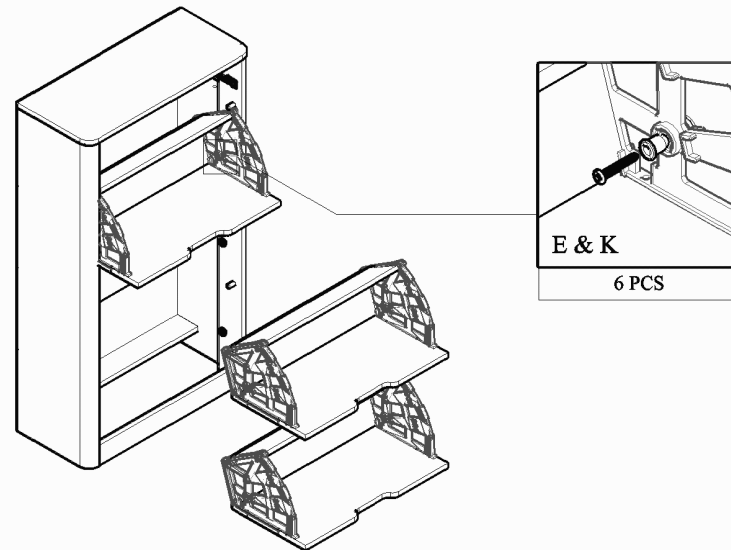
STEP 12



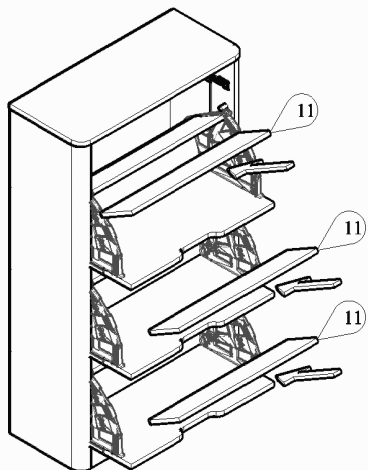
STEP 13



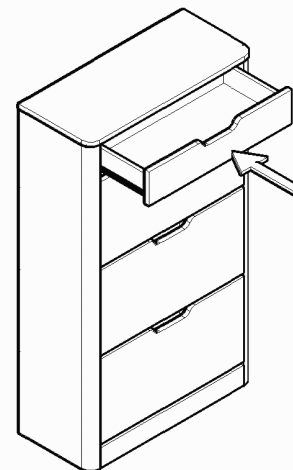
STEP 14



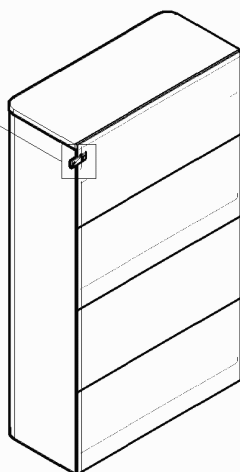
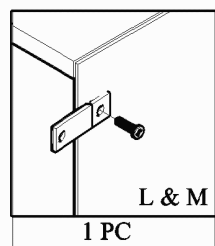
STEP 15



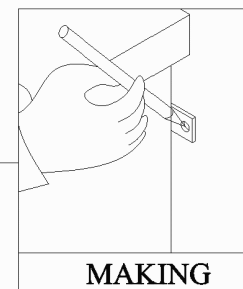
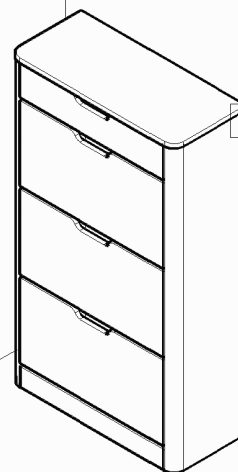
STEP 16



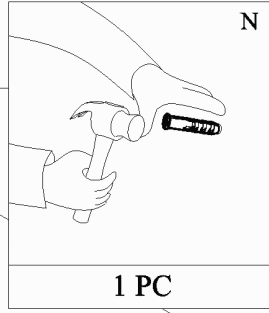
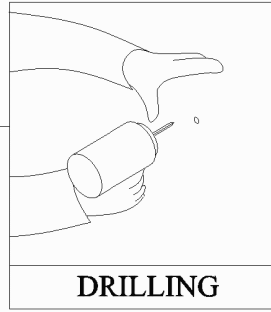
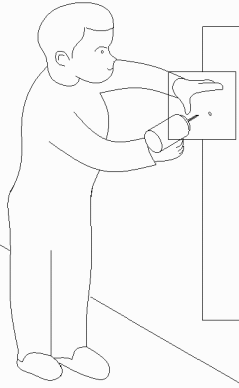
STEP 17



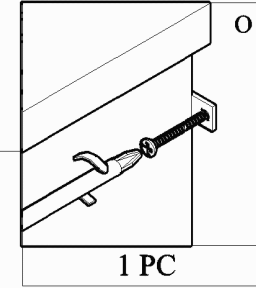
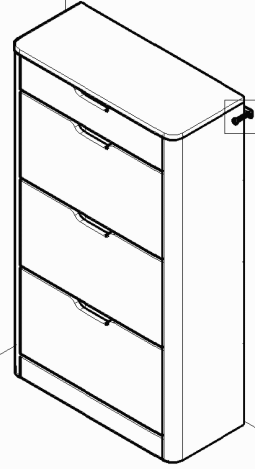
STEP 18



STEP 19



STEP 20



COMPLETED

