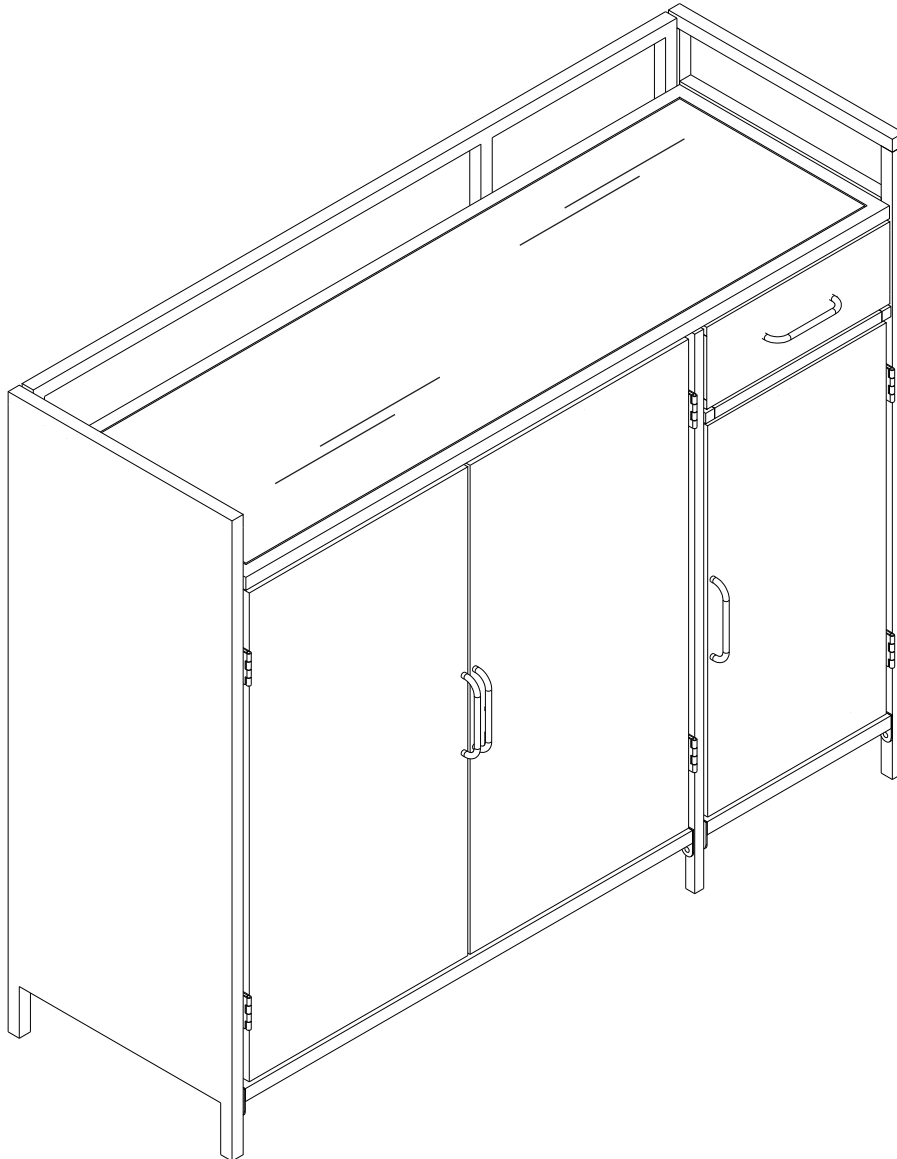


ASSEMBLY INSTRUCTION

OUTDOOR WICKER CABINET














Notice:

1. 50% Tighten before fixing all screws, Allen wrench is recommended instead of an electric drill.
2. Place the item on a flat ground to adjust and make sure it remains stable.
3. Tighten up all screws with tools gradually.
4. If the screws are not aligned with holes during assembly, please loosen all the other screws to 50% and continue the assembly process.
5. If the item is not stable, please loosen all the screws, adjust it on a flat ground and tighten up all screws again.
6. Notes: If one or some screws are fully tightened during assembly, chances are the others will not be aligned with holes. In addition, all the holes are designed to be relatively larger to provide more space for the adjustment of the screws.

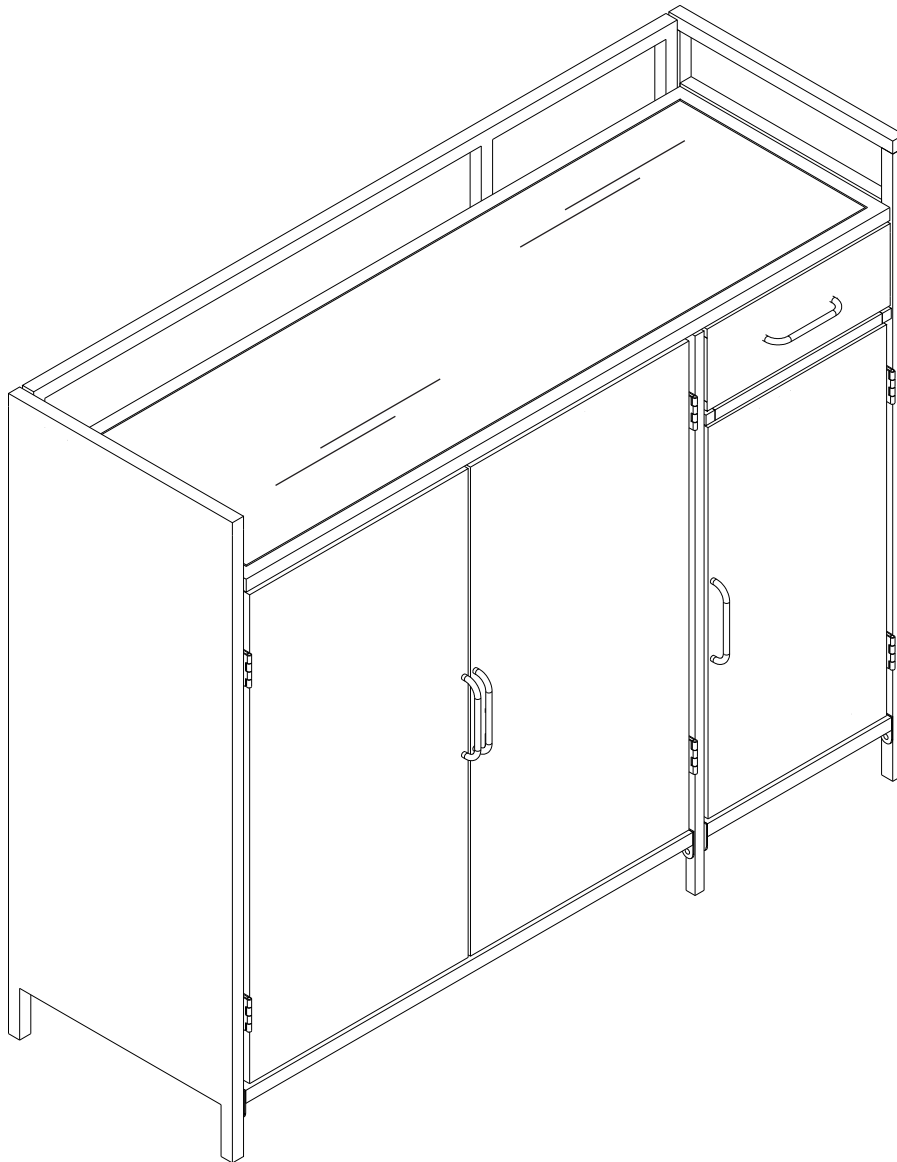
ASSEMBLY INSTRUCTION

Caution : You must read this before you proceed

Care & Maintenance

- ⊘  ● Not for commercial use. For residential use only.
- ⊘  ● Prolonged exposure to rain may cause rusting which can stain floors.
- ⊘  ● Do not put hot items directly on furniture surface.
- ⊘  ● Do not clean furniture with harsh cleansers or polish.
- ✓  ● To obtain the longest lifespan of your outdoor products, minimizing exposure to direct sunlight is recommended.
- ⊘  ● Children should not climb or jump on the furniture.
- ⊘  ● Do not write on furniture without a padded barrier to protect the surface.
- ✓  ● To obtain the longest lifespan of your outdoor products, avoid extended and lengthy exposure to rain, snow, and direct sunshine. Whenever possible cover the product and /or place under patio or awnings.
- ⊘  ● Stains may be removed with mild soap solution and damp cloth.
- ✓  ● Keep away from sources of ignition.
- ✓  ● Dust and pick-up spills using a clean, non-colored, lint-free cloth.

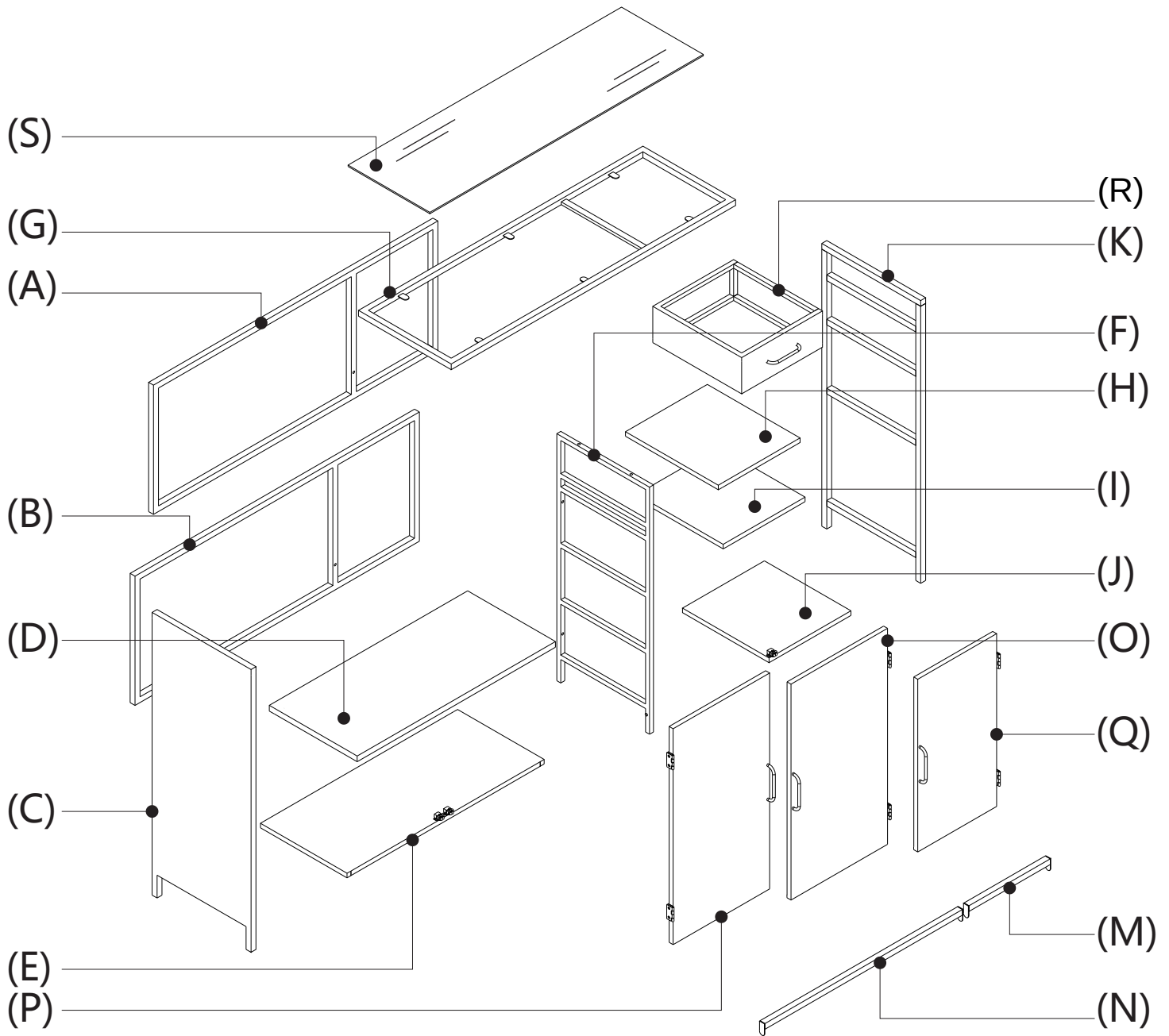
OUTDOOR WICKER CABINET



CAUTION : This outdoor chaise lounge is NOT a TOY.

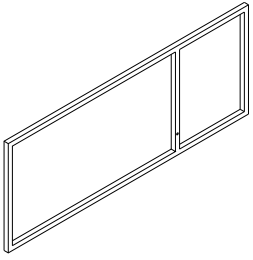
- Keep your child / children at bay in the process of assembly.
- For turning the outdoor chaise lounge and to prevent damage to the outdoor chaise lounge two adults may be needed to execute this action

EXPLODED VIEW



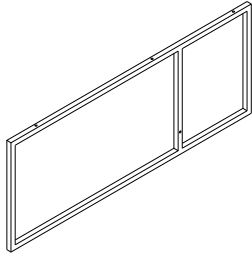
Part list

(A)



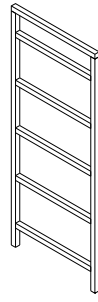
1 pc

(B)



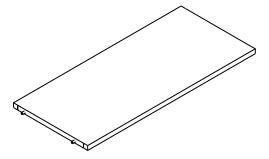
1 pc

(C)



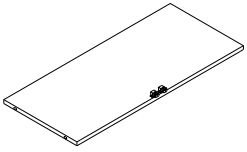
1 pc

(D)



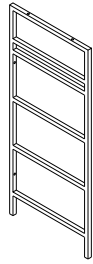
1 pc

(E)



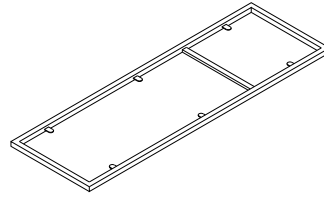
1 pc

(F)



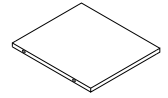
1 pc

(G)



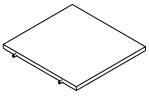
1 pc

(H)



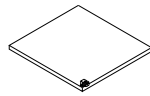
1 pc

(I)



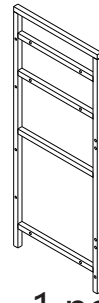
1 pc

(J)



1 pc

(K)



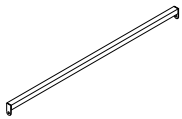
1 pc

(M)



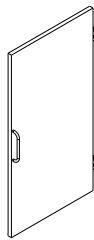
1 pc

(N)



1 pc

(O)



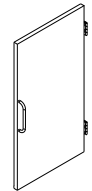
1 pc

(P)



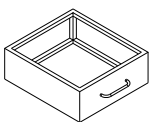
1 pc

(Q)



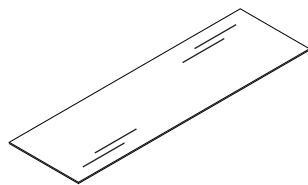
1 pc

(R)



1 pc

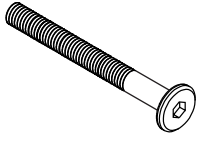
(S)



1 pc

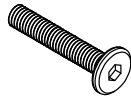
Hardware

①



**Bolt M6x70mm (2pcs)
+1 pc (Extra)**

②



**Bolt M6x35mm (15pcs)
+2 pcs (Extra)**

③



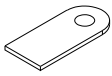
**Bolt M6x15mm (24pcs)
+2 pcs (Extra)**

④



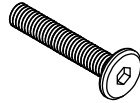
**Nut M6 (3pcs)
+1 pc (Extra)**

⑤



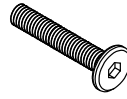
10 pcs

⑥



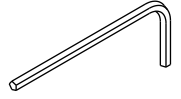
**Bolt M6x40mm (7pcs)
+2 pcs (Extra)**

⑦



**Bolt M6x30mm (2pcs)
+1 pc (Extra)**

⑧



**Allen Key (1pc)
+1 pc (Extra)**

⑨



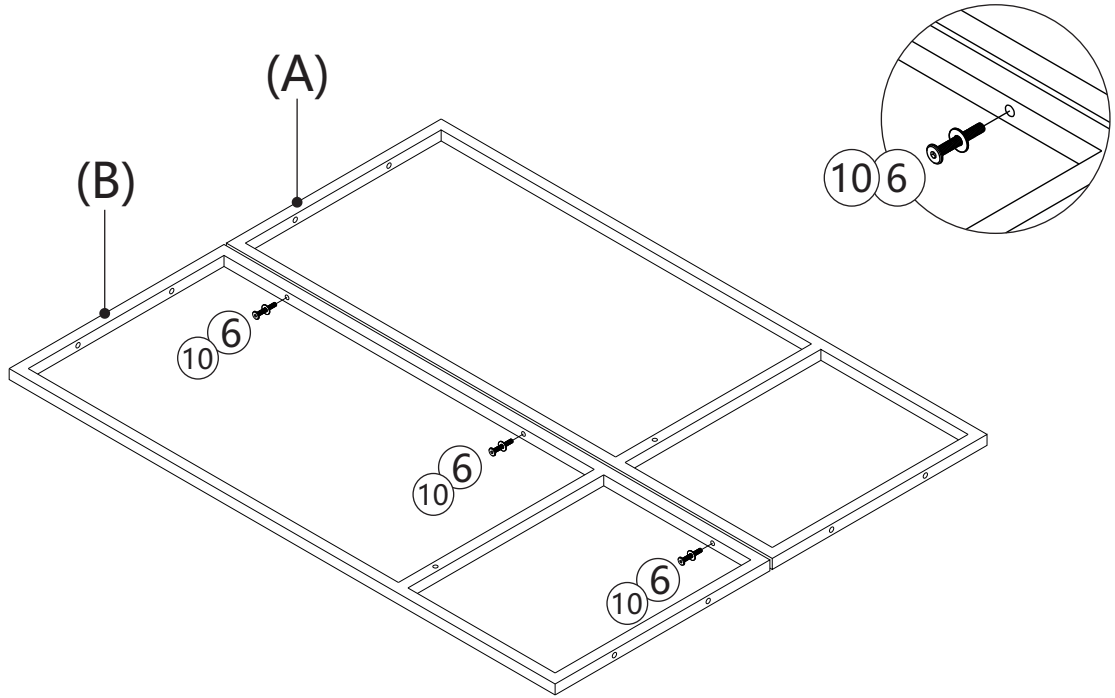
Wrench (1pc)

⑩



**38 pcs
+5 pcs (Extra)**

Step 1: Connect (A) with (B) by bolt (6) and (10)



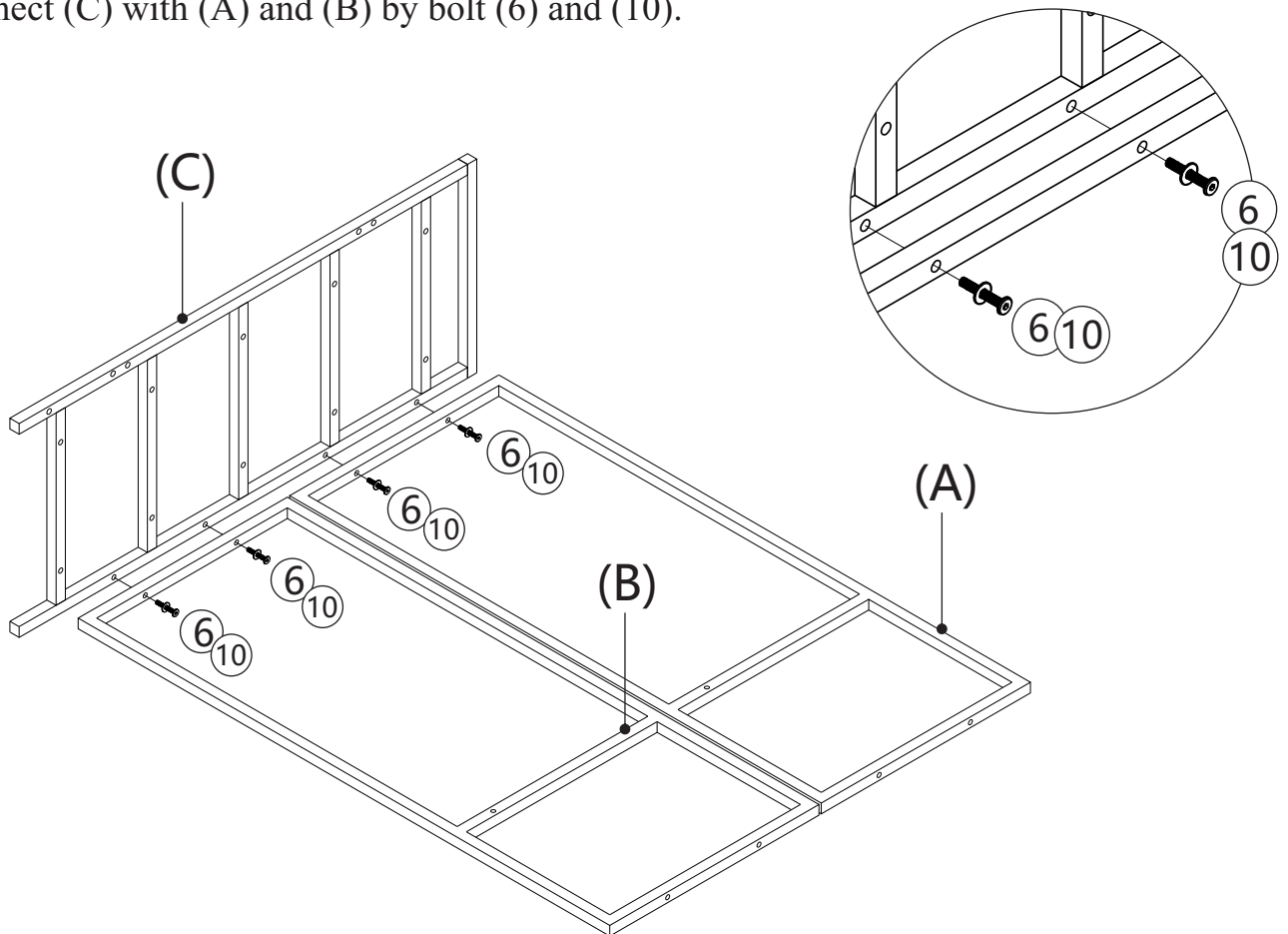
(A) x1

(B) x1

(6) x3

(10) x3

Step 2: Connect (C) with (A) and (B) by bolt (6) and (10).

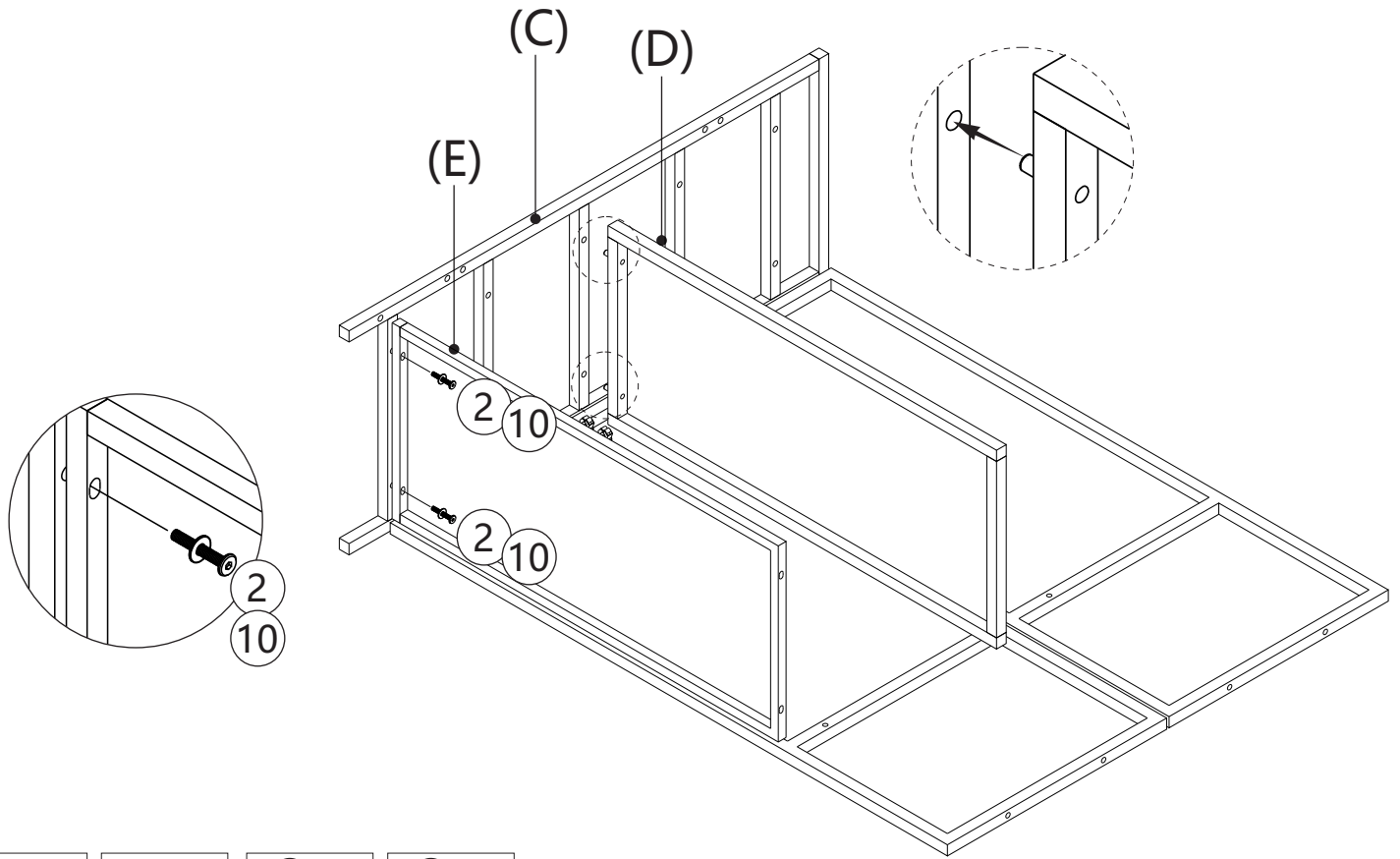


(C) x1

(6) x4

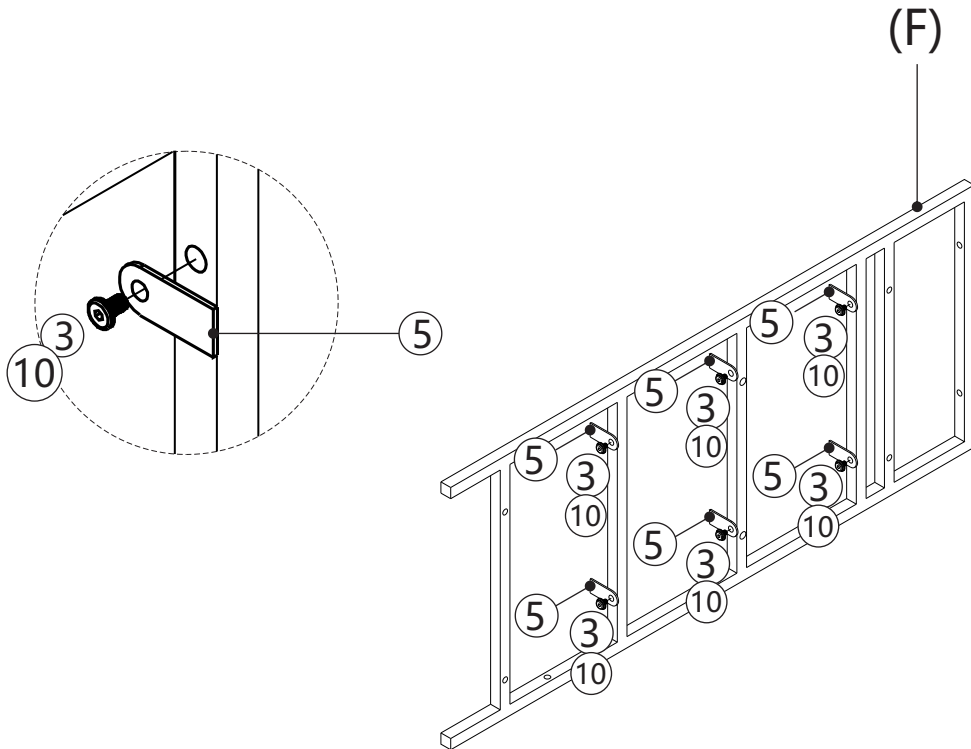
(10) x4

Step 3: Insert Shelf Supports (D) into the lower pre-drilled mounting points in the corners of the left side of left part Cabinet(C). Connect (E) with (C) by bolt (2) and (10).



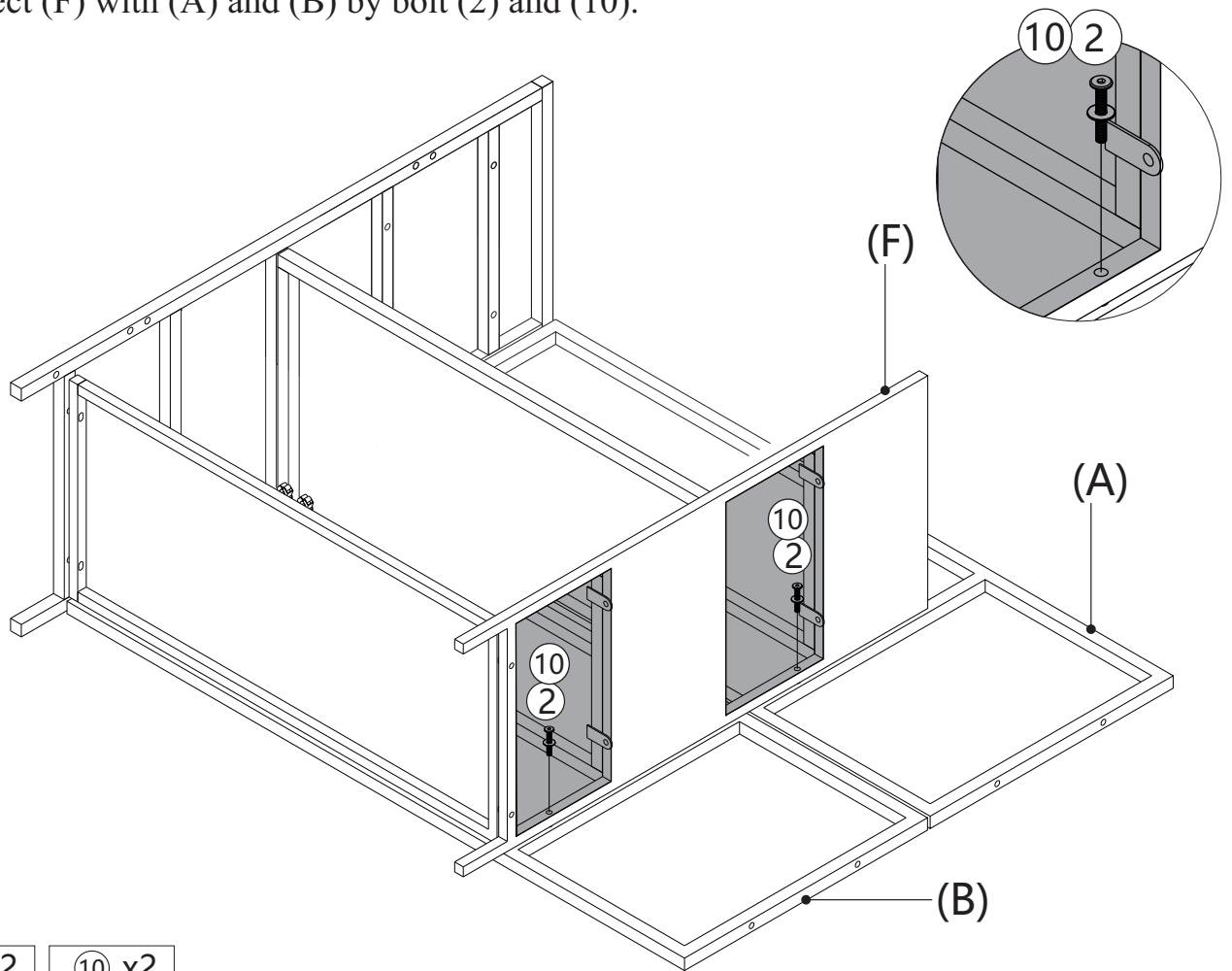
(D) x1 (E) x1 (2) x2 (10) x2

Step 4: Connect (5) with (F) by bolt (3) and (10).



(F) x1 (3) x6 (5) x6 (10) x6

Step 5: Connect (F) with (A) and (B) by bolt (2) and (10).

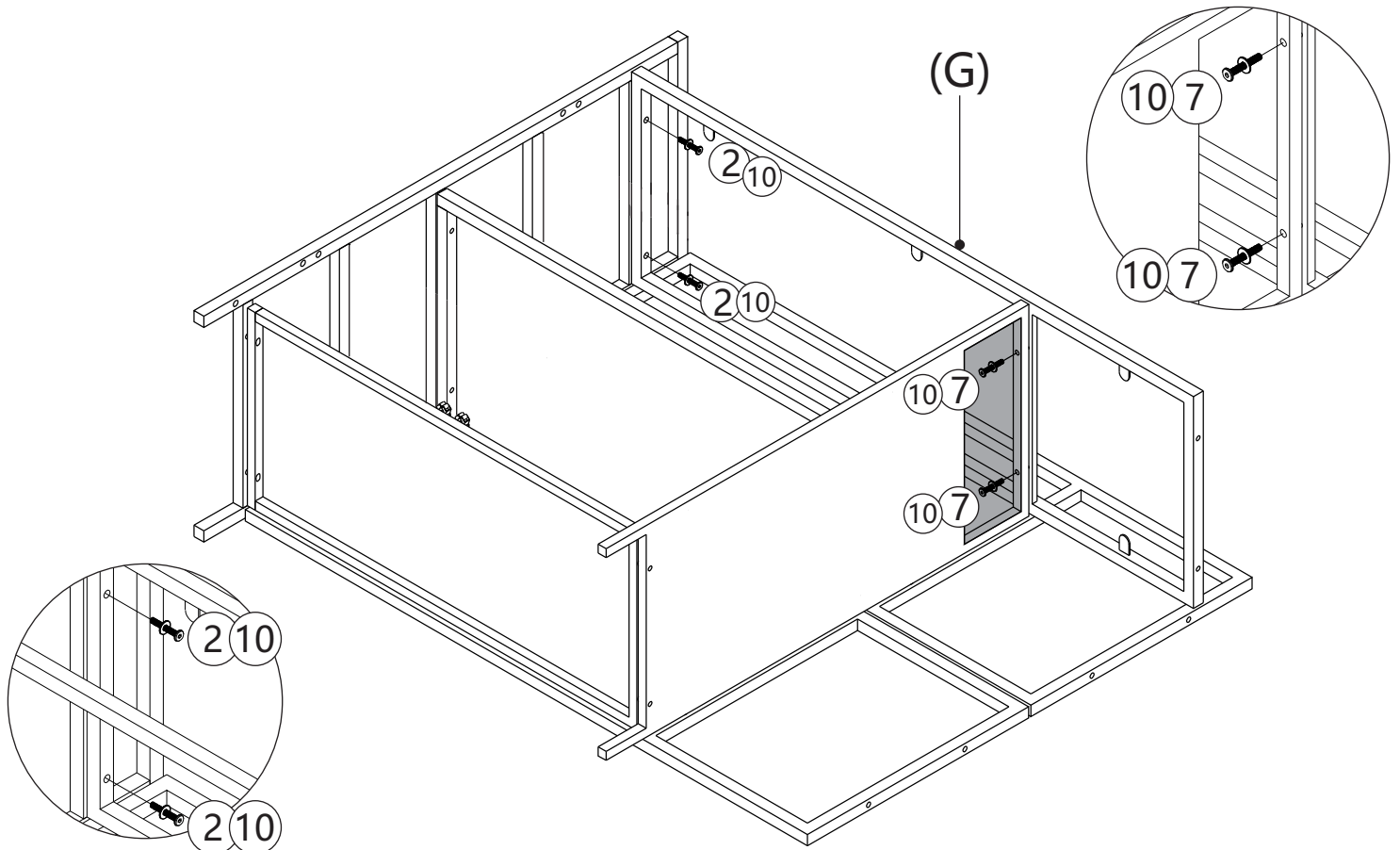


(F) x1

(2) x2

(10) x2

Step 6: Connect (G) with (C) by bolt (2). Connect (G) with (F) by bolt (7) and (10).



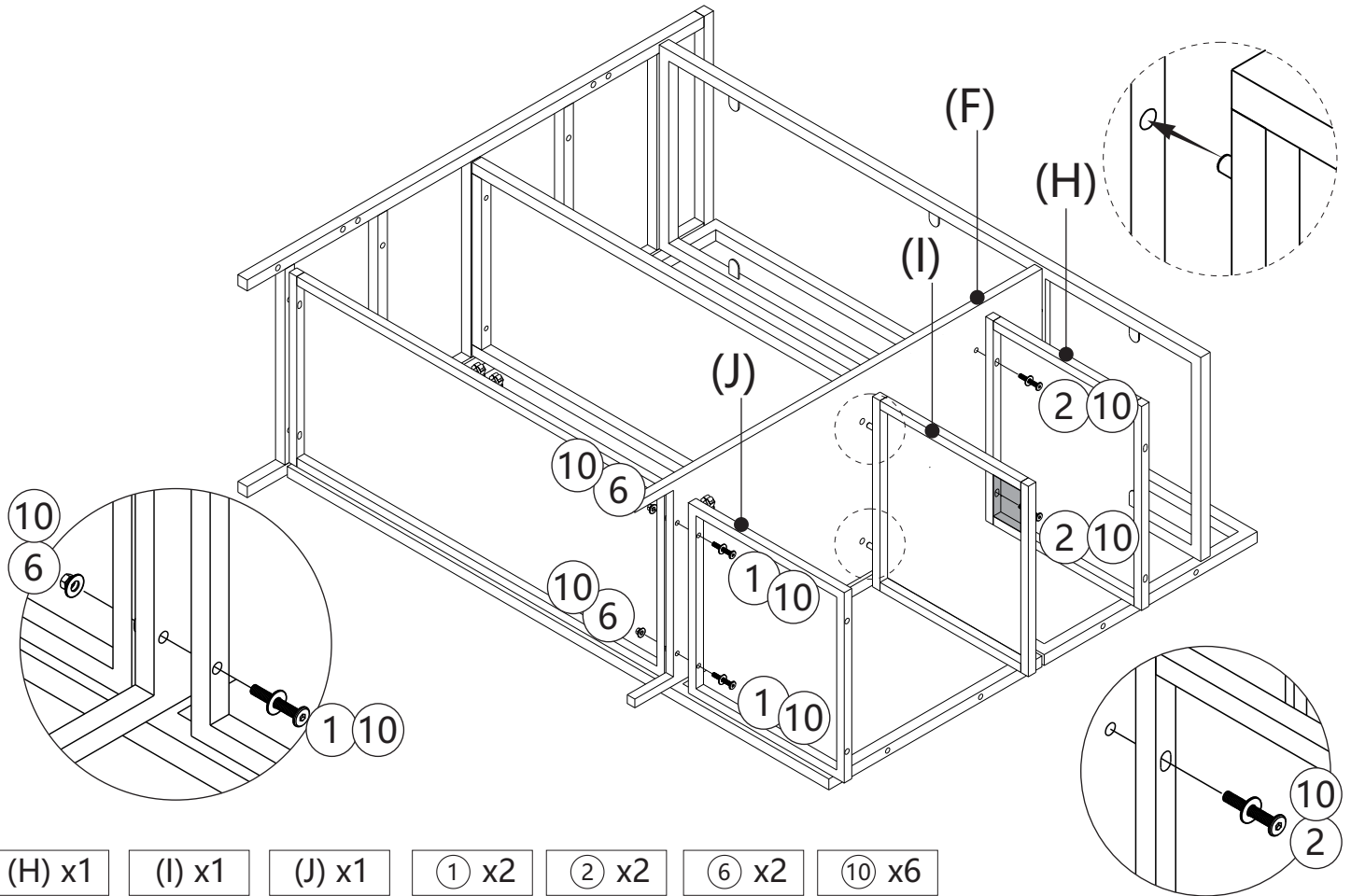
(G) x1

(2) x2

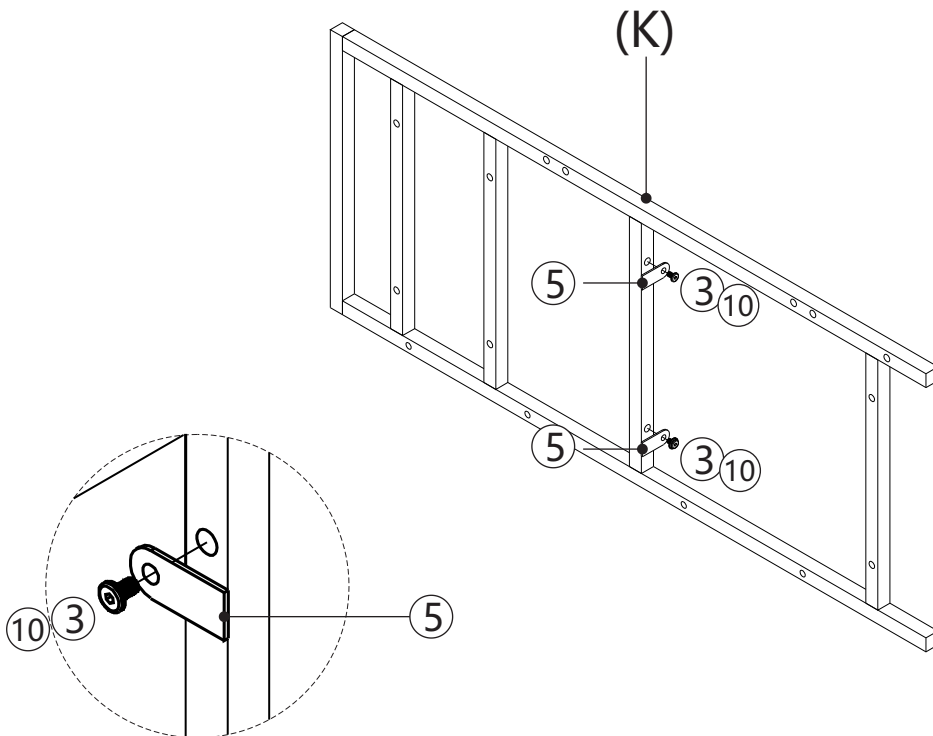
(7) x2

(10) x4

Step 7: Connect (H) with (F) by bolt (2) and (10). Connect (J) with (F) and (E) by bolt (1),(6) and (10). Insert Shelf Supports (I) into the lower pre-drilled mounting points in the part (F).

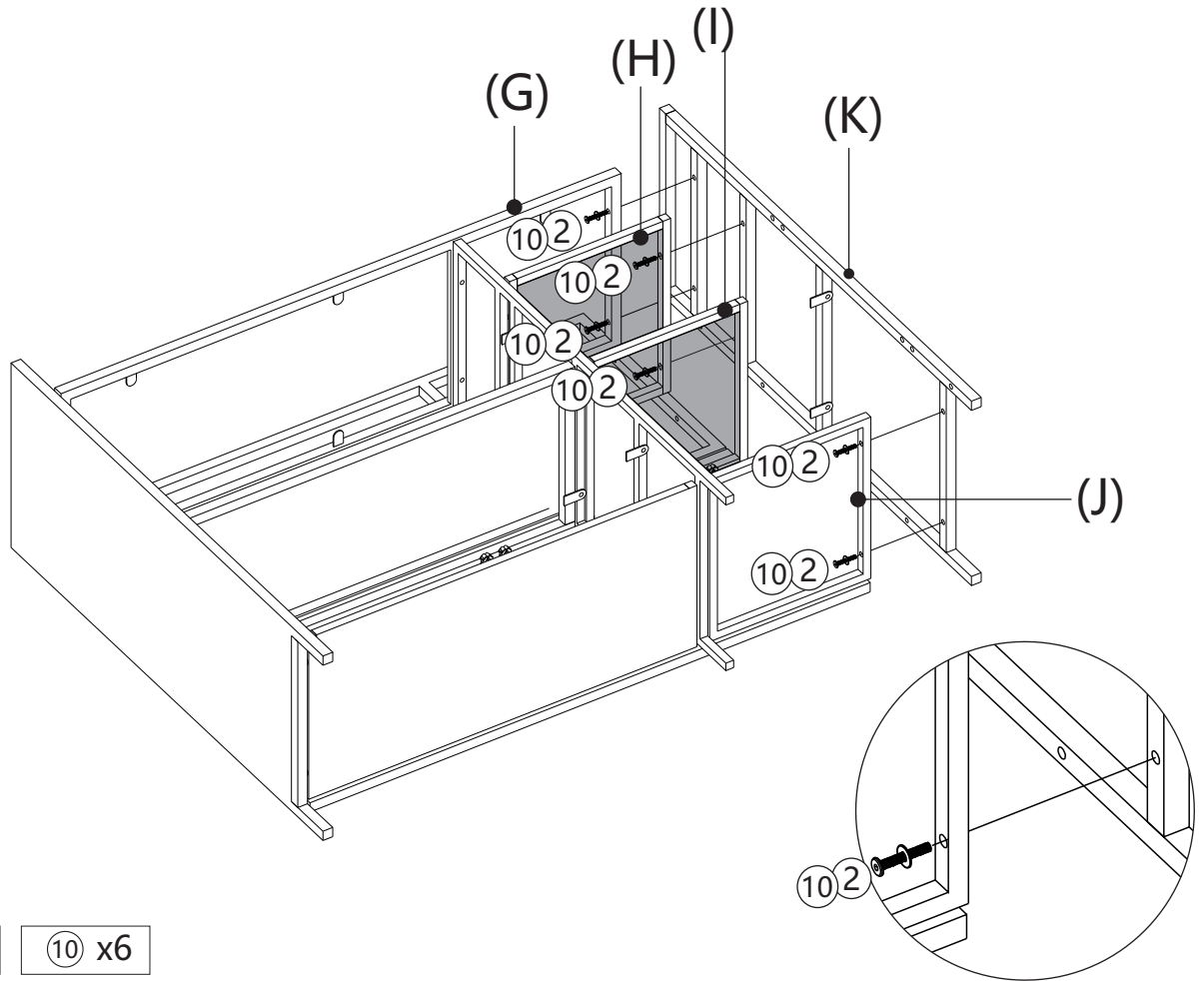


Step 8: Connect (5) with (K) by bolt (3) and (10).



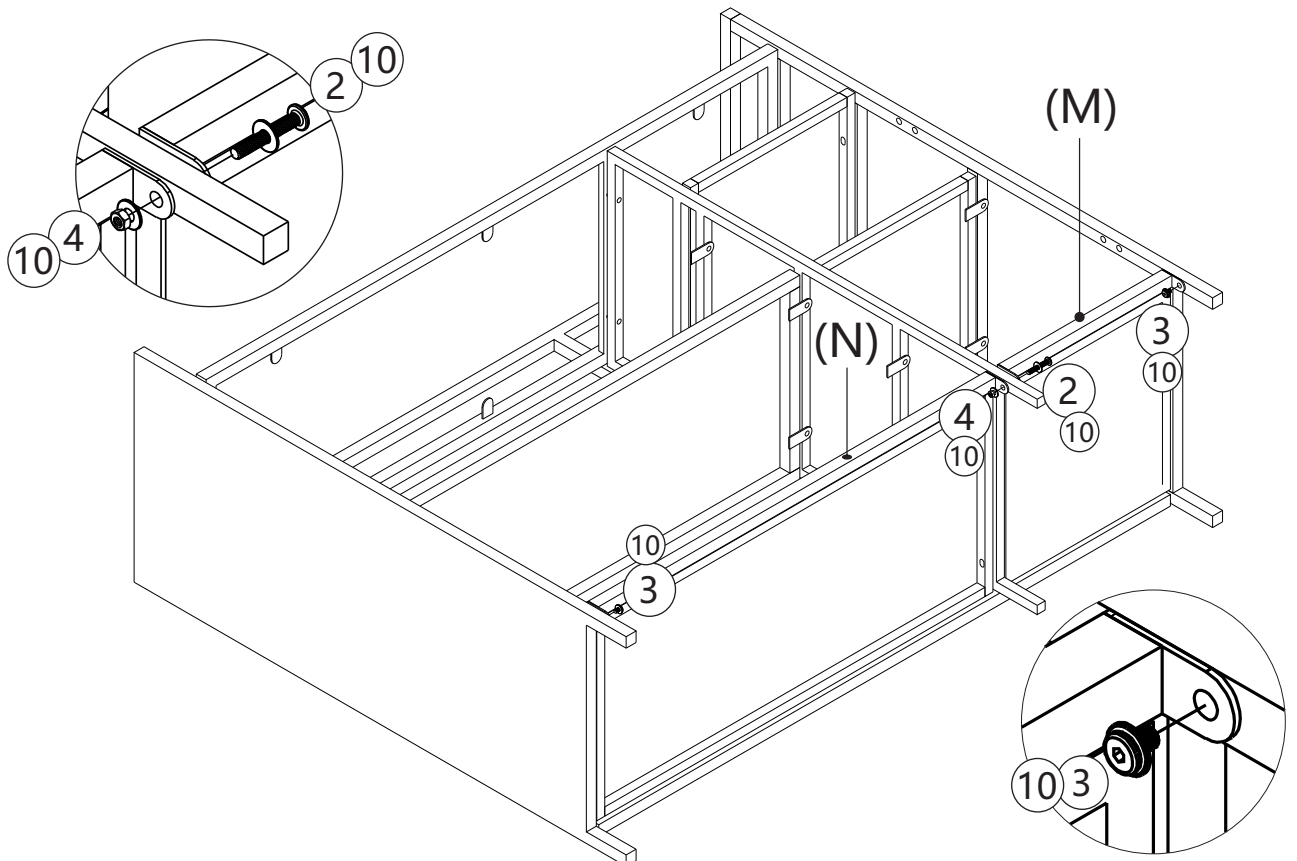
(K) x1 (3) x2 (5) x2 (10) x2

Step 9: Connect (K) with (G) (H) (I) and (J) by bolt (2) and (10).



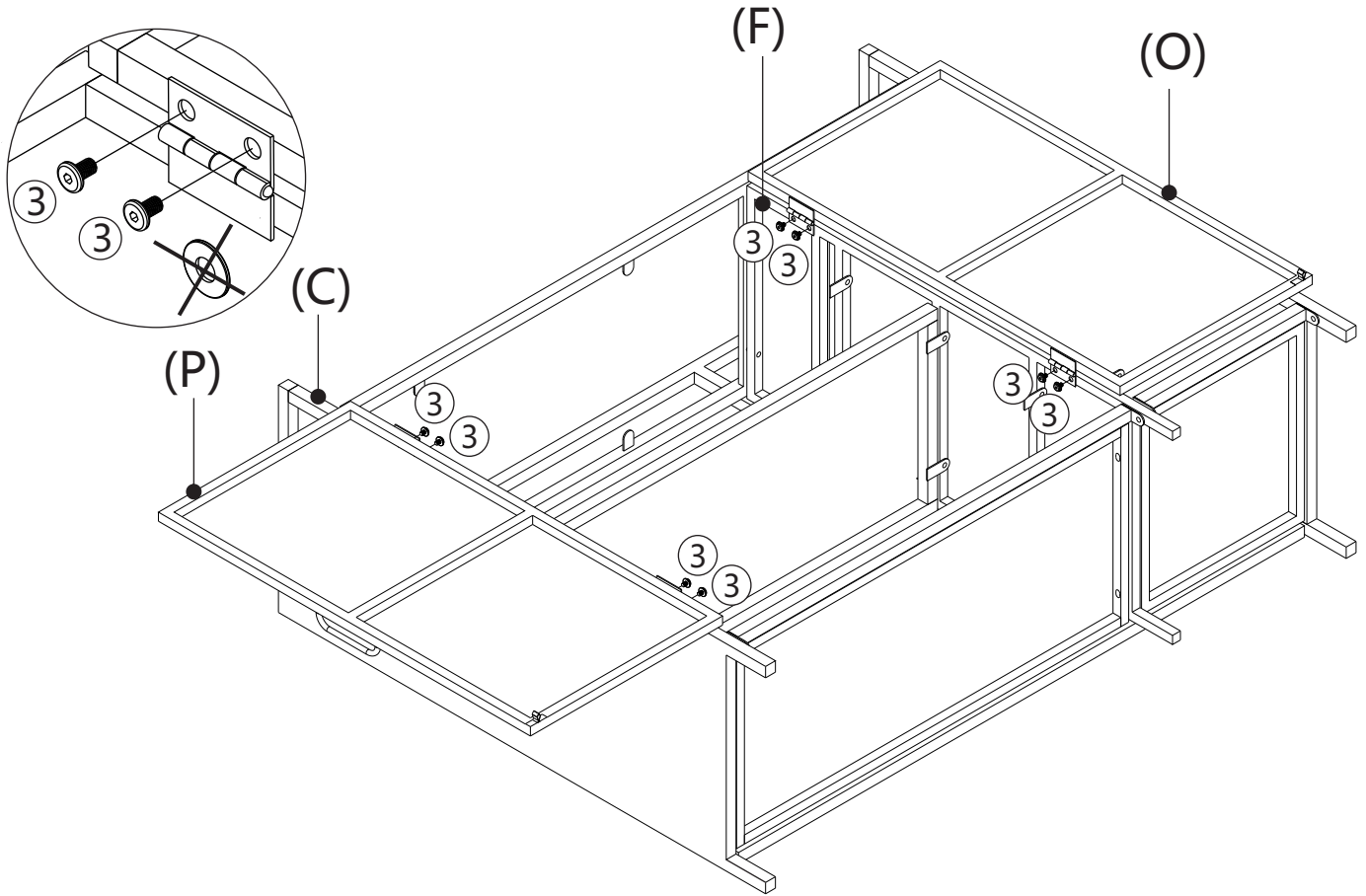
- (K) x1
- ② x6
- ⑩ x6

Step 10: Connect (N) with (C) by bolt set (3) on the left side. Connect (M) with (K) by bolt set (3) and (10) on the right side. Then, connect (M) and (N) with (F) by the bolt set (2), (4) and (10).



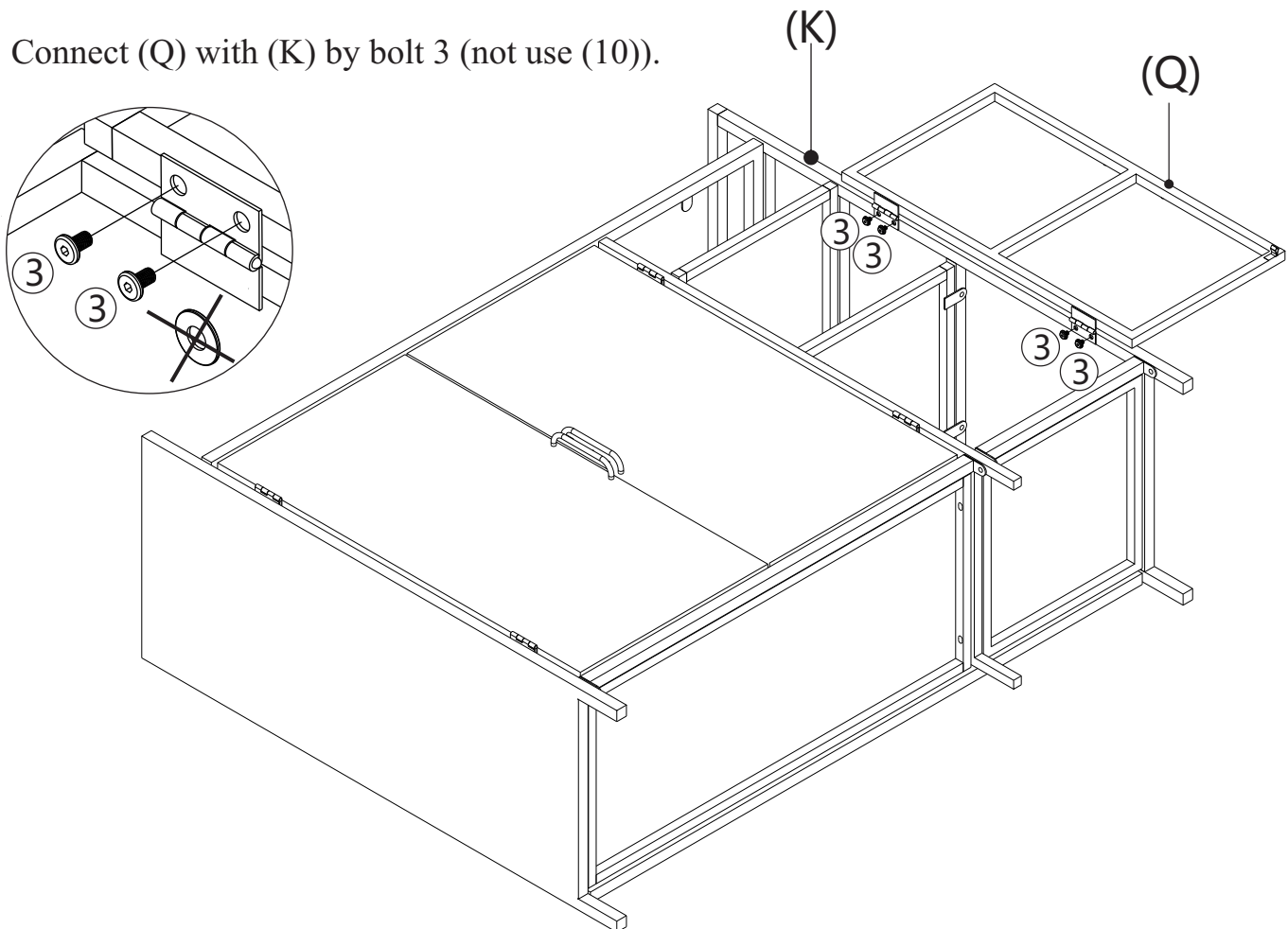
- (M) x1
- (N) x1
- ② x1
- ③ x2
- ④ x1
- ⑩ x4

Step 11: Connect (P) with (C), (O) with (F) by bolt 3 (not use (10)).



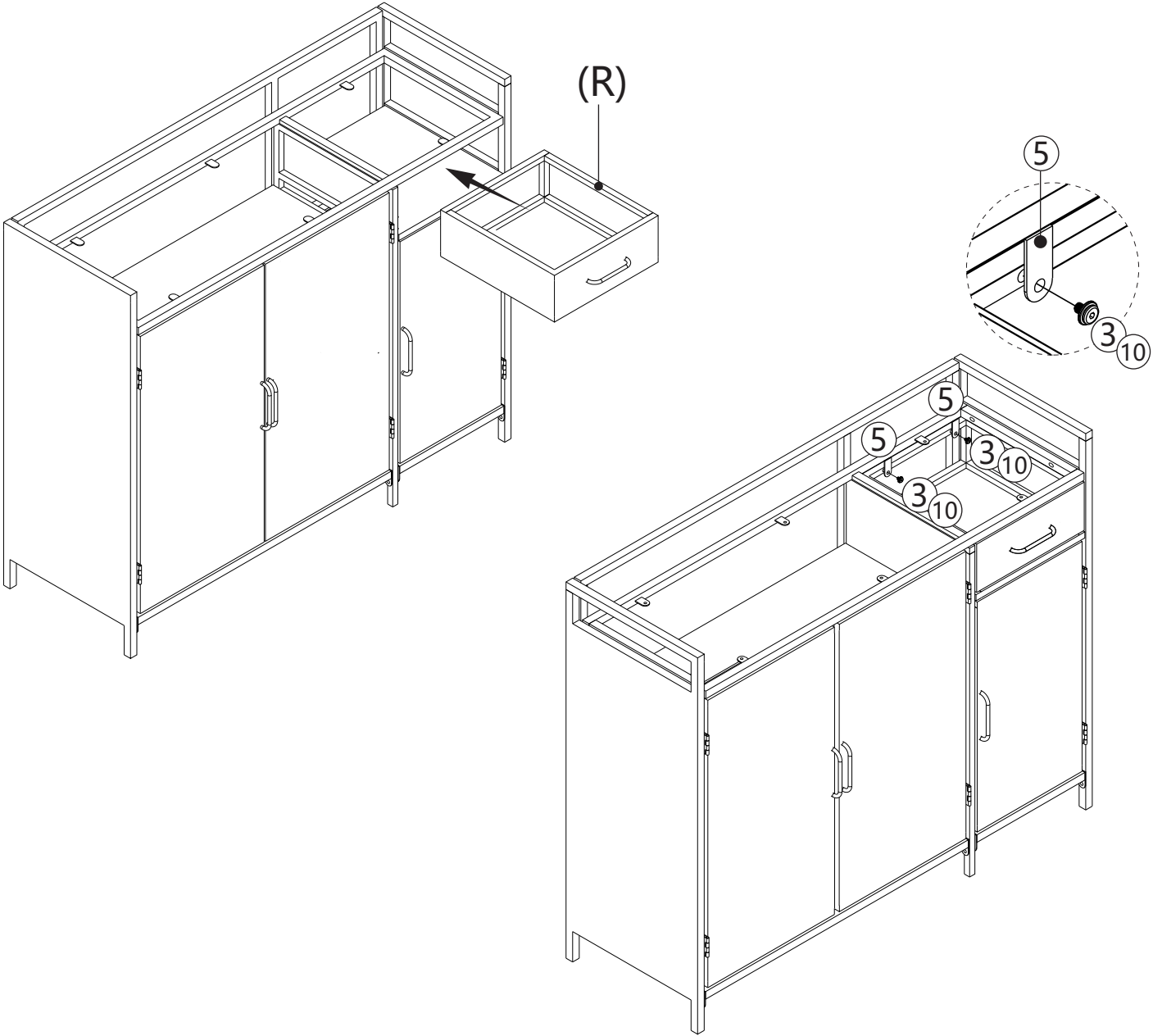
(O) x1 (P) x1 (3) x8

Step 12: Connect (Q) with (K) by bolt 3 (not use (10)).



(Q) x1 (3) x4

Step 13: Insert (R) to the cabinet and use (3), (5) and (10) to fasten it.
It is locked to avoid falling out of the cabinet



(R) x1

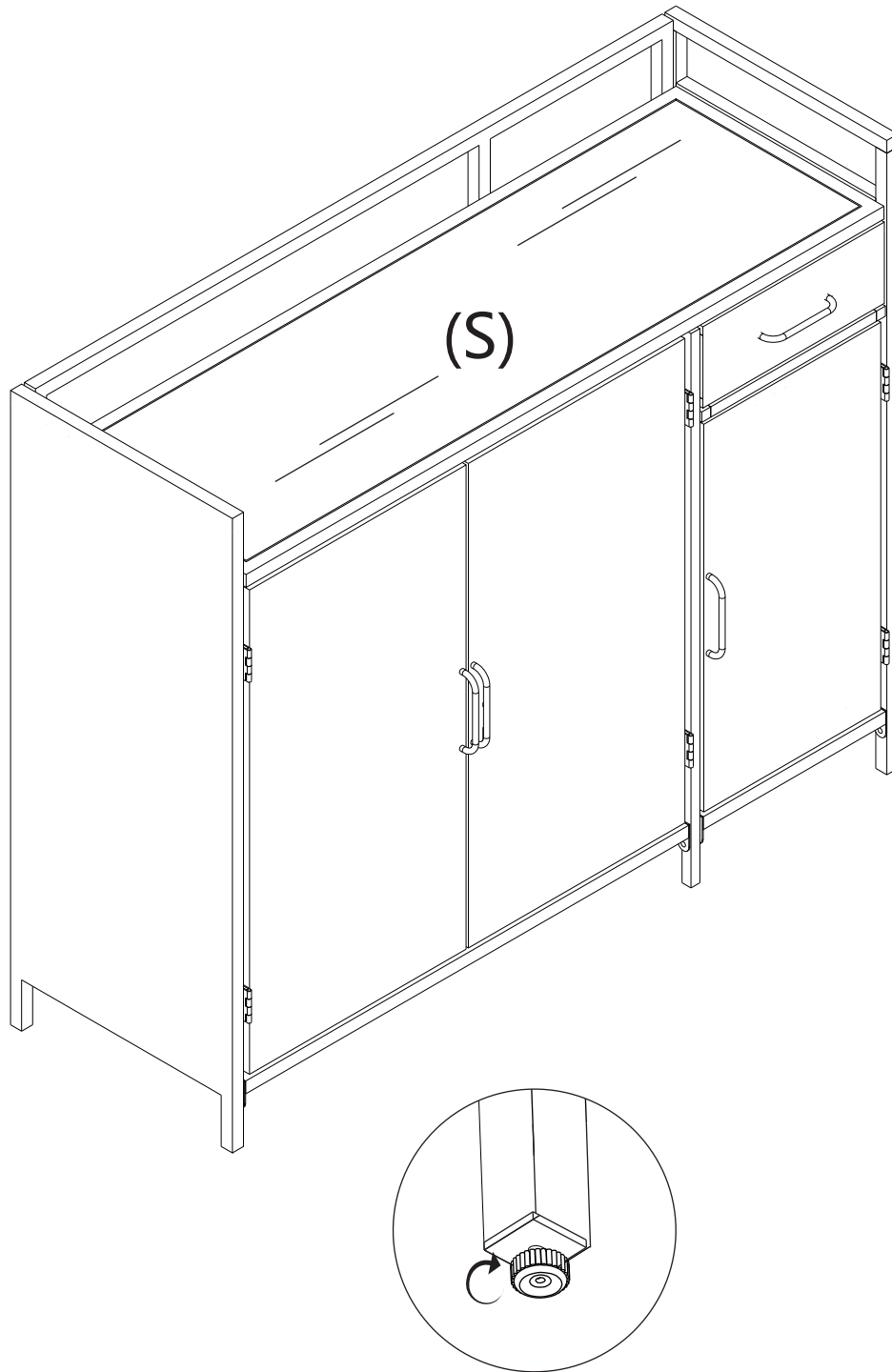
(3) x2

(5) x2

(10) x2

Step 14: Put the glass (S) on the cabinet

Note: This outdoor wicker cabinet can be used better on a flat, level surface. In rugged surfaces, you can make more reasonable by adjustable foot.



(S) x1