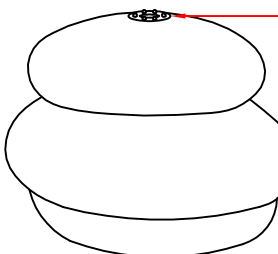


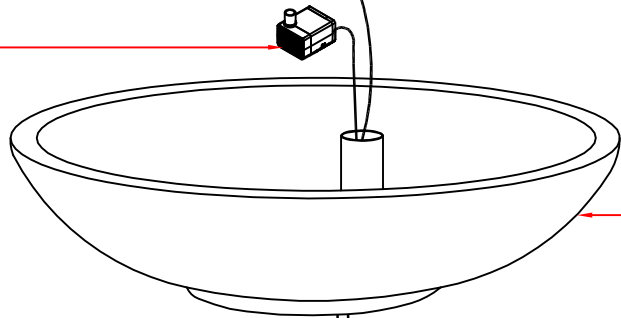
LIGHT
LTAS1001
(REPLACEMENT
PARTS)



FOUNTAIN
BODY

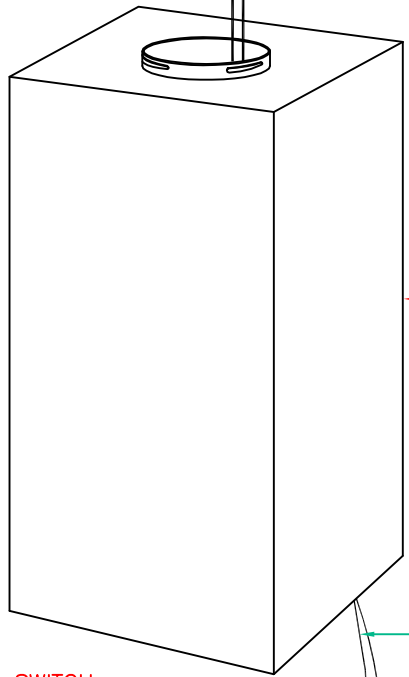
RUBBER HOSE
1.6 CM (5/8") TUBING,
15.5 CM (6-1/8") LENGHT.

PUMP
PUMP1400
(REPLACEMENT
PART)



RESERVOIR

AVAILABLE PARTS ARE:
LTAS1001 (LIGHT AND TRANSFORMER)
PUMP1400 (PUMP)



BASE

SHIM (3 PCS)

TRANSFORMER
LTAS1001
(REPLACEMENT
PART)

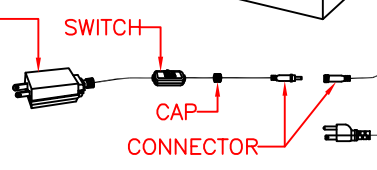
SWITCH

CAP

CONNECTOR

THE LIGHT CORD REACH 200 CM (6.5') FROM THE BOTTOM OF THE FOUNTAIN BODY TO THE TRANSFORMER.

THE PUMP CORD REACH 230 CM (7.5') FROM THE BOTTOM OF THE FOUNTAIN BODY TO THE PLUG.



PRODUCT SPECIFICATIONS

OVERALL ASSEMBLED DIMENSIONS

HEIGHT: 870 MM (28-7/8"), WIDTH: 498 MM (19-5/8"), DEPTH: 498 MM (19-5/8").

PUMP: UL LISTED. 120V, 60HZ, 5 WATT. MODEL: YH-400MIX, SUBMERSIBLE FOUNTAIN PUMP, FLOW RATE: 105 GPH. HEAD: 110 CM (43-1/4") HEIGHT.

1 LIGHT: UL LISTED. 0.15 WATT, SUBMERSIBLE LED CLUSTER. (CCT) 3000K. LUMENS: 11 LM, CRI: 70, WARRANTY: 10000H, DIMMABLE:NO, WITH WATERPROOF ROCKER SWITCH.

TRANSFORMER: UL LISTED. 5V, 100MA, MODEL: GP-SW050DC0100-IP44(US) A, CLASS 2 TRANSFORMER, INPUT: 120V, 60HZ. OUTPUT: 5V, 0.5 WATT. UL: E334265.

FOUNTAIN BODY: PAINTED CERAMIC IN IVORY FINISH, 247 MM (9-3/4") WIDTH. x 209 MM (8-1/4") HEIGHT, 171 MM (6-3/4") EXTENSION. SHAPED AS SHOWN.

RESERVOIR: PAINTED CERAMIC IN IVORY FINISH, 498 MM (19-5/8") DIA. x 127 MM (5") HEIGHT. WATER CAPACITY: 1.6 GALLONS. SHAPED AS SHOWN.

BASE: PAINTED CERAMIC IN IVORY FINISH, 260 MM (10-1/4") SQ. x 495 MM (19-1/2") HEIGHT. SHAPED AS SHOWN.

PUMP POWER CORD: UL LISTED, FROM PUMP TO PLUG: 3.3 M (11') LENGTH. 18 AWG., 3 CONDUCTORS, 105°C, TYPE SJTW, WATER PROOF. BLACK COLOR. COPPER MATERIAL. WIRES MUST BE LEAD FREE.

LABELS: MANUFACTURING DATE, MODEL # AND COUNTRY OF ORIGIN LABEL PROVIDED, WARNING LABEL FOR PARTS AND PARTS ARROW LABEL WERE STUCK ON INSIDE OF BOX.

PACKAGING AND SHIPPING DETAILS

THIS FOUNTAIN WAS DISASSEMBLED FOR SHIPPING, EACH PART IS CAREFULLY WRAPPED IN A PLASTIC BAG AND PLACED SECURELY IN THE INNER PACKING SO THEY CAN NOT MOVE DURING SHIPPING.

THE CARTON IS MADE OF DOUBLE WALL CORRUGATED CARDBOARD "K MA A". (200 LBS), BROWN IN COLOR. THE INNER PACKING IS DIE-CUT CARDBOARD AND/OR STYROFOAM SUFFICIENT TO PROTECT AND SECURE THE FOUNTAIN AND MUST PASS THE FEDEX AND ISTA-3A DROP TEST REQUIREMENTS.

EACH CARTON SHALL BE PRINTED WITH A LINE DRAWING AND THE KENROY HOME NAME, LOGO AND CUSTOMER SERVICE PHONE NUMBER (PRODUCT HELP LINE - 904.642.4340), MODEL NUMBER FINISH, EACH CARTON SHALL BE PROVIDED A UPC LABEL. THE UPC BAR CODE AS FOLLOWS: 053392988814.

OTHER DETAILS

MODEL 51081IV INSTRUCTIONS ARE TO BE PACKED WITH EACH FOUNTAIN. INSTRUCTIONS MUST BE PRINTED CLEARLY ON QUALITY PAPER.

ALL VISIBLE RESIN PARTS MUST MATCH FOUNTAIN FINISH UNLESS OTHERWISE SPECIFIED.

ALL BAGS MUST BE LABELED WITH OFFICIAL "THIS BAG IS NOT A TOY" STATEMENT.

WE REQUIRED THAT A COLOR PIGMENT CLOSE TO THE FINISH COLOR OF THE FOUNTAIN MUST BE MIXED INTO THE RESIN/MATERIAL PRIOR TO THE MOLD COMPLETION. THIS IS TO ASSURE IF WE HAVE ANY PEELING OF PAINT THE RESIN IS THE SAME COLOR AS THE FINISH OF THIS ITEM.

EACH FOUNTAIN SHOULD HAVE A PIGMENT COLOR REFERENCE CHIP FOR THE UNPAINTED GOODS FOR INSPECTION.

THIS FOUNTAIN IS RATED FOR OUTDOOR USE.

ASSEMBLY TIME: 10 MINUTES.

DIMS OF BOX: 580 MM (22-13/16") LENGTH x 580 MM (22-13/16") WIDTH x 505 MM (19-7/8") HEIGHT. (CUFT.: 6')

NET WEIGHT: 41.8 LBS. GROSS WEIGHT: 46.2 LBS.

KENROY HOME 3723 Regent Boulevard JACKSONVILLE, FL. 32224 PHONE: 904-642-4340 FAX: 904-642-4150	THIS DOCUMENT AND THE INFORMATION THAT IT DISCLOSES IS THE EXCLUSIVE PROPERTY OF KENROY HOME. ANY REPRODUCTION OR USE OF THIS DRAWING IN PART OR IN WHOLE, WITHOUT THE EXPRESS CONSENT OF THE PROPRIETOR IS PROHIBITED. © 2018 KENROY HOME.			REVISION DATE: 9/13/2018 Use new INS	MODEL #: 51081IV
	DATE: 03/02/2018	SCALE: NONE	DRAWN BY: ARVIN	REVISION DATE: 11/6/2018 change spec	FINISHES: IVORY
	REFERENCE: STONEWELL FOUNTAIN	APPROVAL:		REVISION DATE: 9/4/2020 add depth	PAGE: 1 OF: 2
				REVISION DATE:	