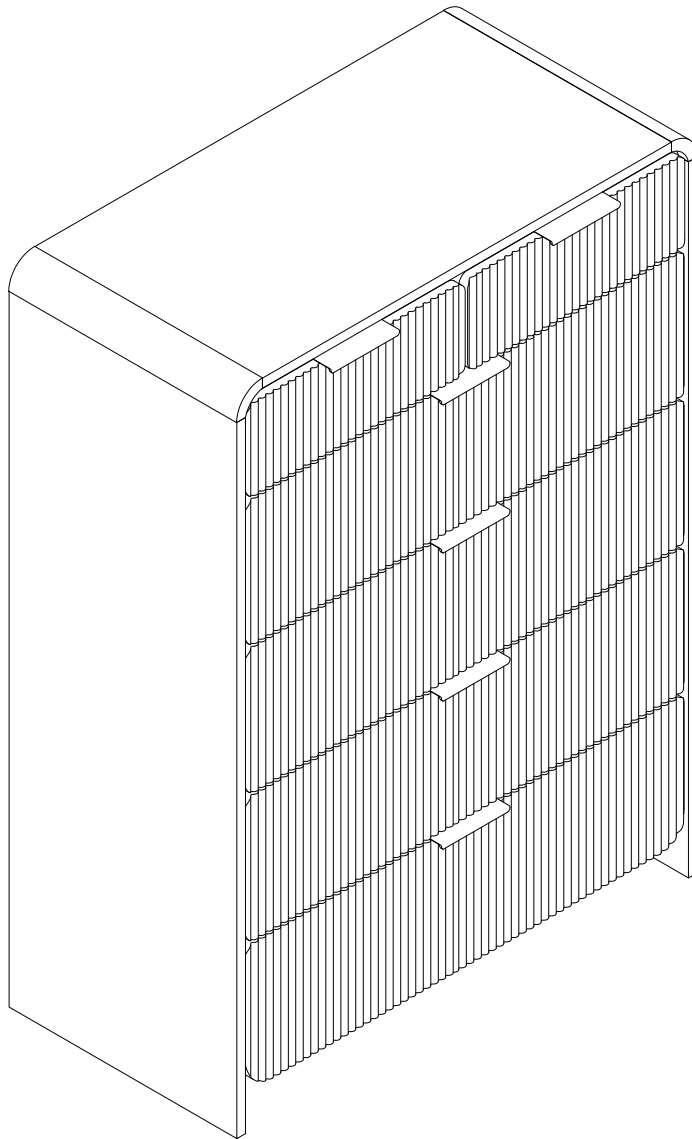


# Assembly Instructions

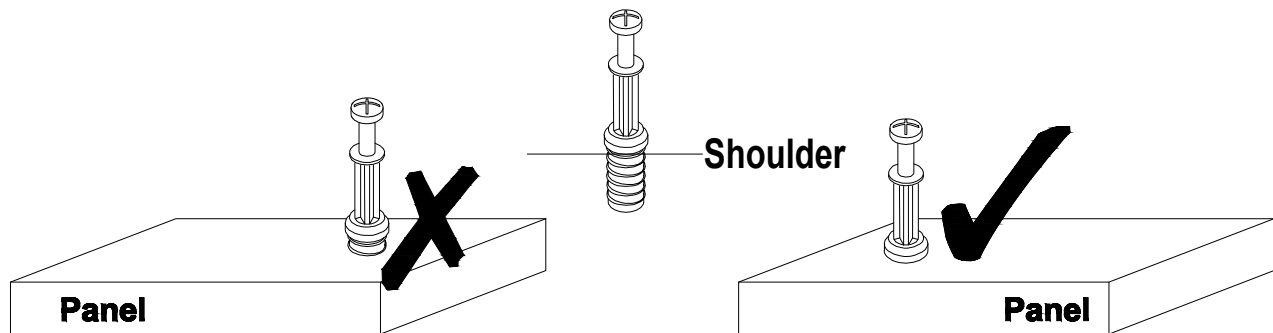


# Before Assembly

## Tips Before Your Start:

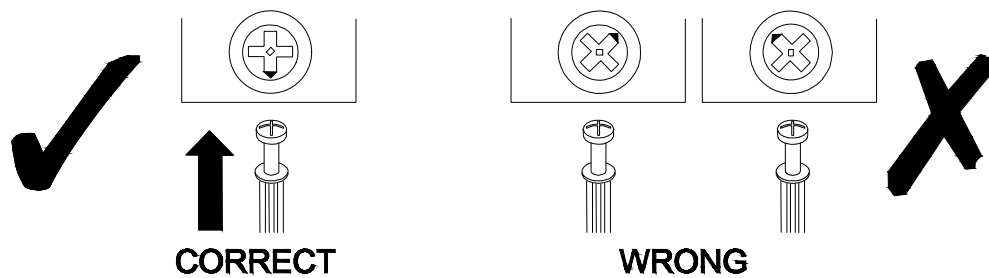
- Remove all wrapping material, including staples & packing straps before you start to assemble.
- DO NOT tighten all screws and bolts until the assembly is completely assembled.
- Keep all hardware parts out of reach of children.

## QUICKFIT



Tighten quickfit until shoulder is flush with panel. Do not overtighten or undertighten.

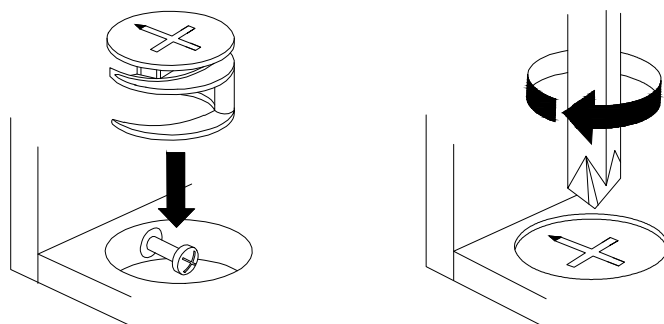
## CAM LOCK



When fitting a cam lock, ensure the starting position is correct before inserting the connecting QUI CKFIT

Quickfit head should be in the centre of the cam lock when the two panels are joined.

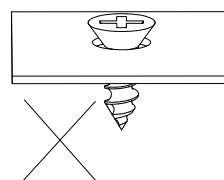
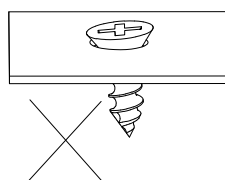
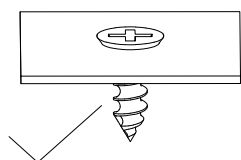
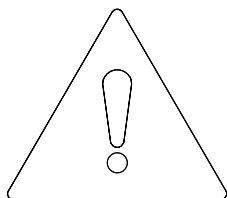
Cam lock should be inserted before quickfit.



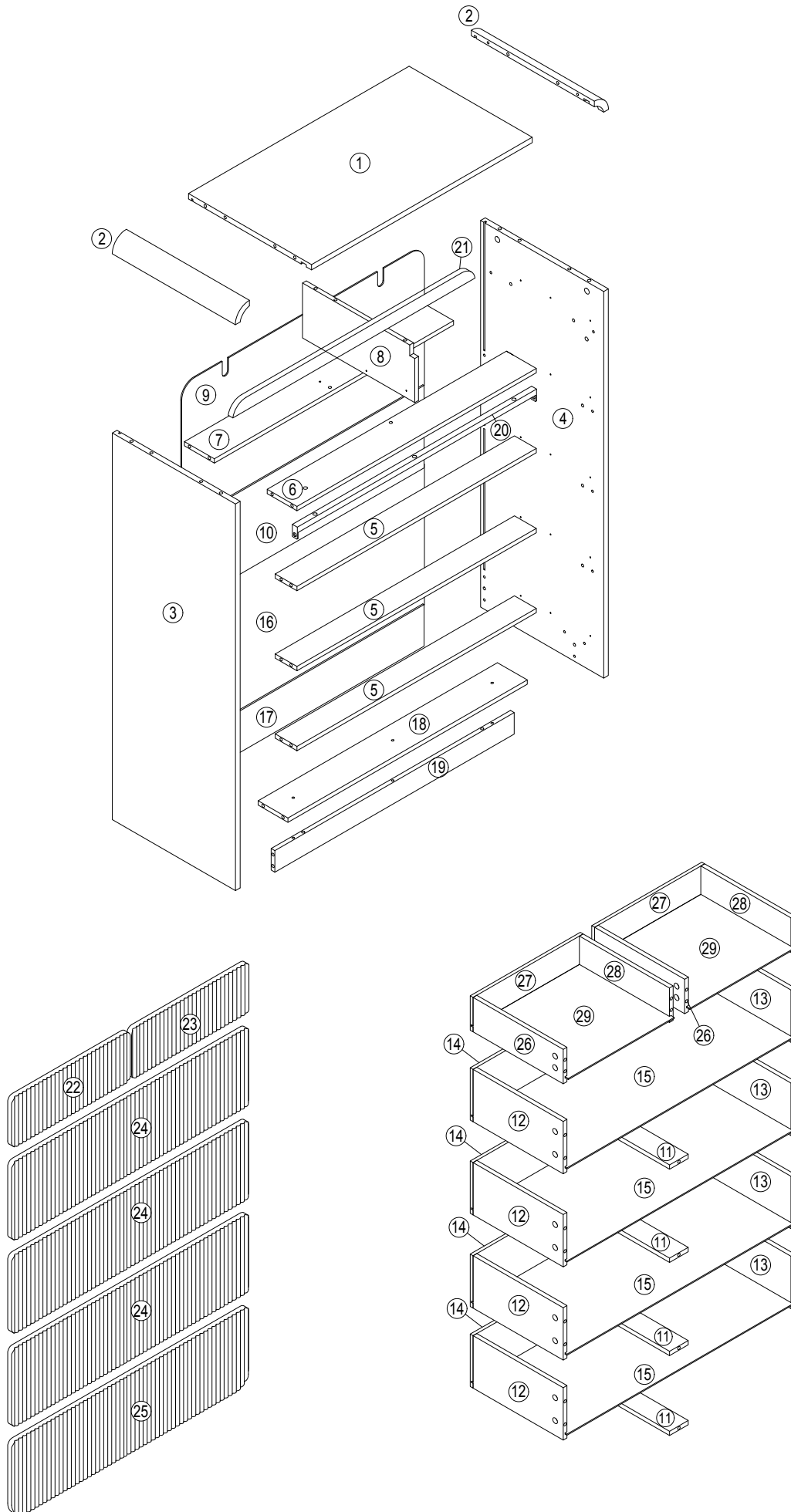
Turn cam lock clockwise to tighten.

**SAFETY TIPS:**Static charge may cause dust on foam - clean with a dry or damp cloth.Small foam strands may be present - handle gently and dispose of properly.Do not bur or incinerate. Check local recycling guidelines.

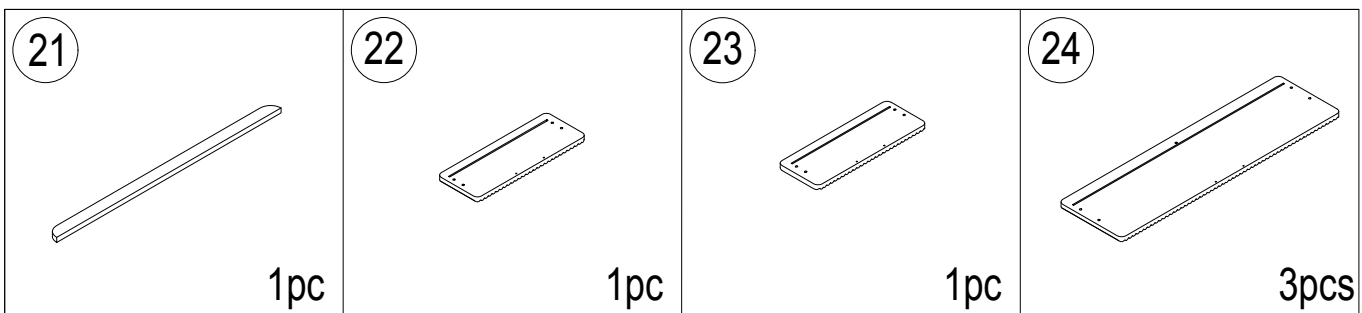
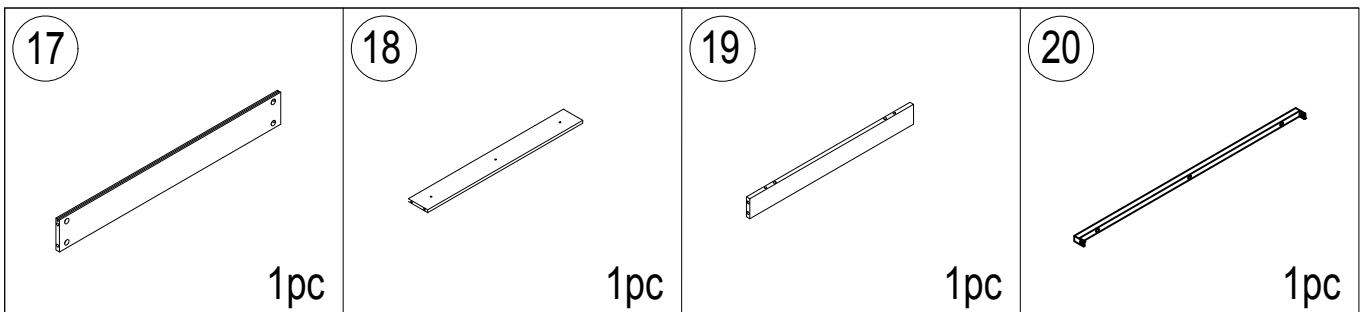
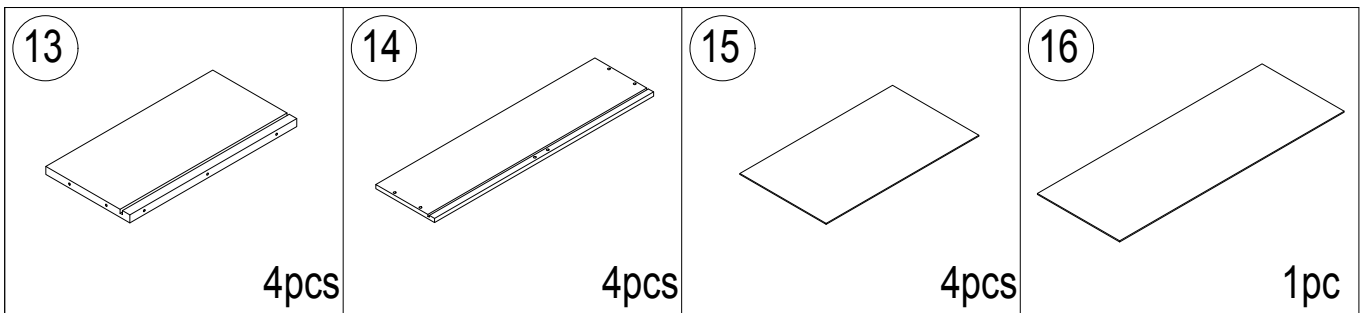
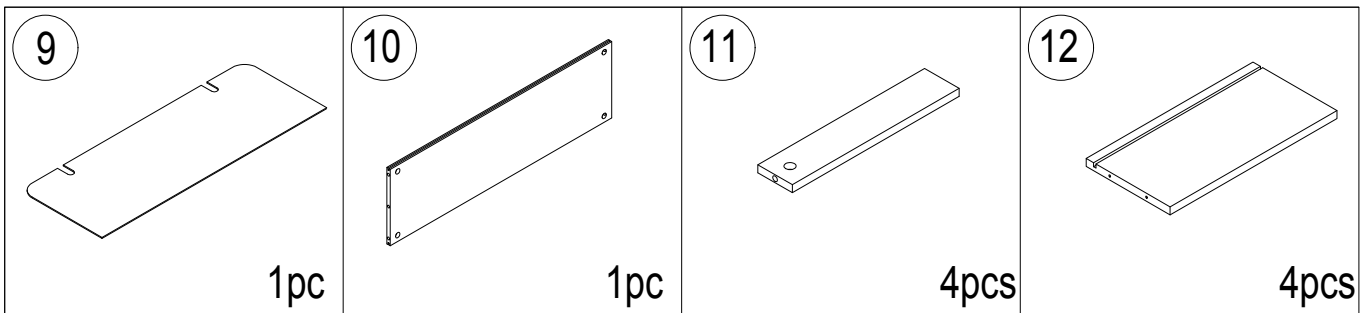
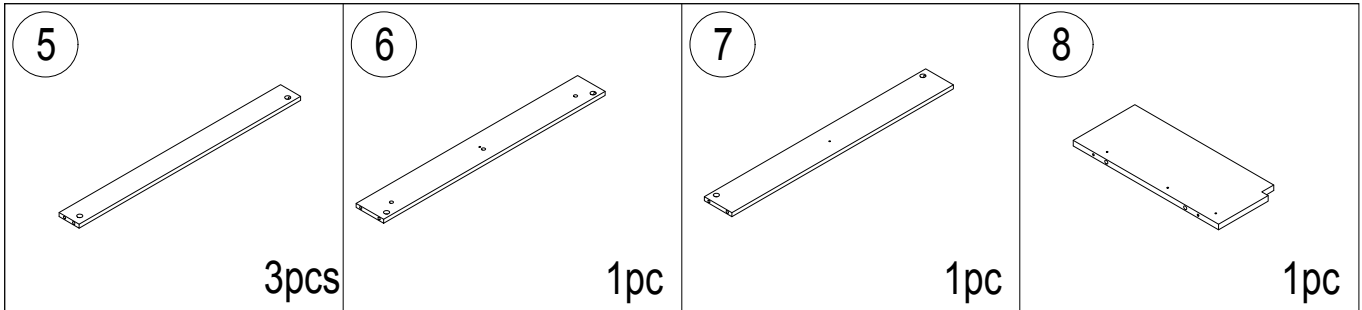
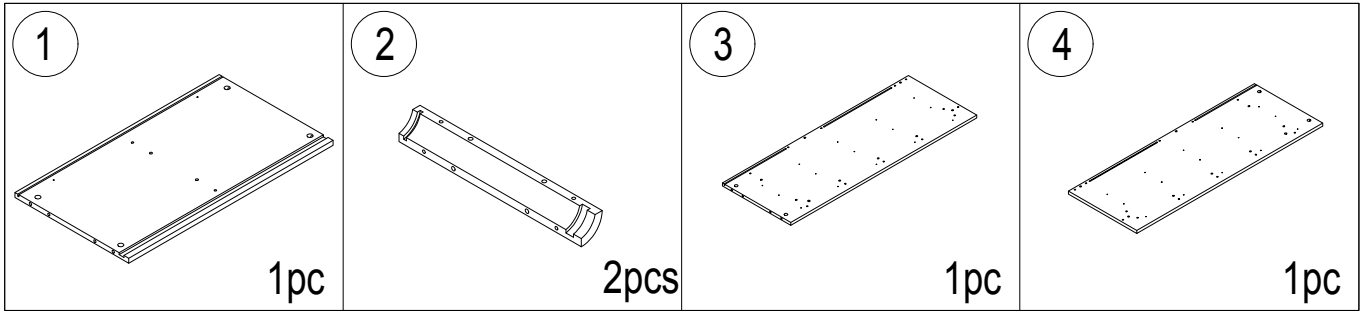
**Please kindly note the following points when you assemble the sliders of the drawers**



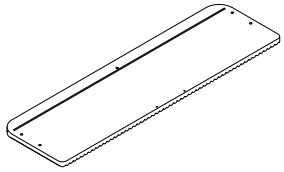
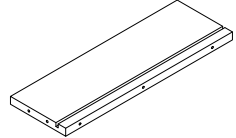
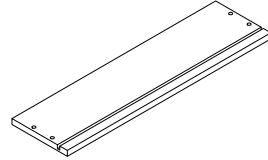
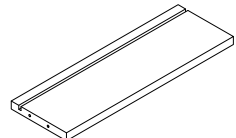
# Product structure

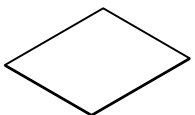


# Parts-List

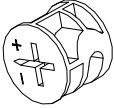
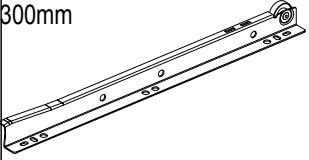


# Parts-List

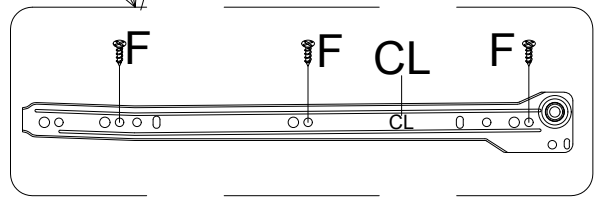
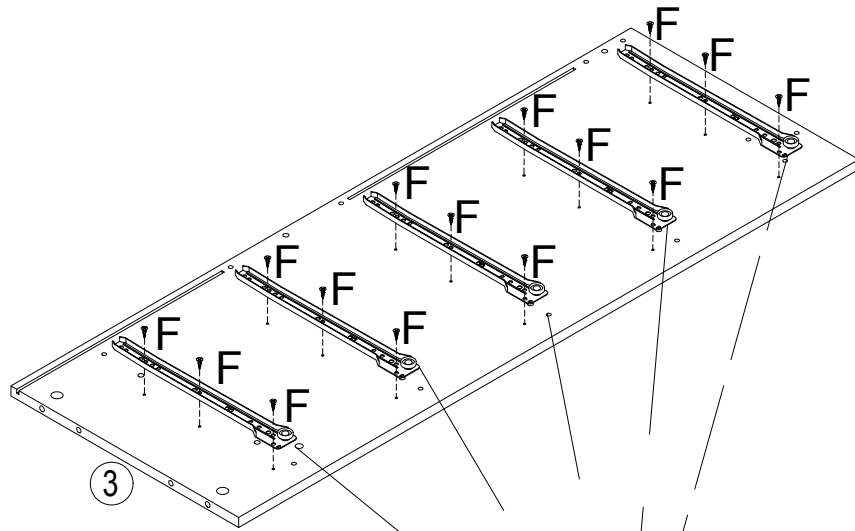
<p>25</p>  <p>1pc</p>	<p>26</p>  <p>2pcs</p>	<p>27</p>  <p>2pcs</p>	<p>28</p>  <p>2pcs</p>
--	---	--	---

<p>29</p>  <p>2pcs</p>
---

# Hardware List

<p><b>No. A</b> Quantity: 62+2 PCS Cam Bolt ø6x33.5mm</p> 	<p><b>No. B</b> Quantity: 62+2 PCS Cam ø15x9.5mm</p> 	<p><b>No. C</b> Quantity: 62+2 PCS Sticker ø20mm</p> 	<p><b>No. D</b> Quantity: 30+2 PCS Dowel ø6x30mm</p> 
<p><b>No. E</b> Quantity: 5 PCS Screw ø5x48mm</p> 	<p><b>No. F</b> Quantity: 72+2 PCS Screw ø3.5x12mm</p> 	<p><b>No. G</b> Quantity: 12 PCS Screw ø3.5x12mm</p> 	<p><b>No. H</b> Quantity: 32+2 PCS Screw ø4x30mm</p> 
<p><b>No. I</b> Quantity: 6 PCS Screw L120mm</p> 	<p><b>No. J</b> Quantity: 18+1 PCS Screw ø3x16mm</p> 	<p><b>No. K</b> Quantity: 18+1 PCS Back Buckle 15x15x10mm</p> 	<p><b>No. L</b> Quantity: 2 PCS L-Shaped anti tipping iron bar 76x15x30mm</p> 
<p><b>No. M</b> Quantity: 2 PCS Plastic Expansion ø8x40mm</p> 	<p><b>No. N</b> Quantity: 2 PCS Screw ø4x12mm</p> 	<p><b>No. O</b> Quantity: 2 PCS Screw ø4x38mm</p> 	<p><b>No. P</b> Quantity: 3 PCS Bolt M6x25mm</p> 
<p><b>No. Q</b> Quantity: 2 PCS Bolt M6x15mm</p> 	<p><b>No. CL</b> Quantity: 6 PCS Drawer Slider 300mm</p> 	<p><b>No. CR</b> Quantity: 6 PCS Drawer Slider 300mm</p> 	<p><b>No. DL</b> Quantity: 6 PCS Drawer Slider 300mm</p> 
<p><b>No. DR</b> Quantity: 6 PCS Drawer Slider 300mm</p> 	<p><b>No. R</b> Quantity: 1 PC Screwdriver L=150mm</p> 		

# STEP 1

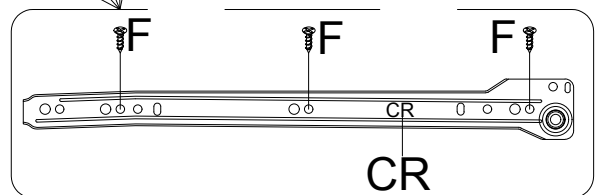
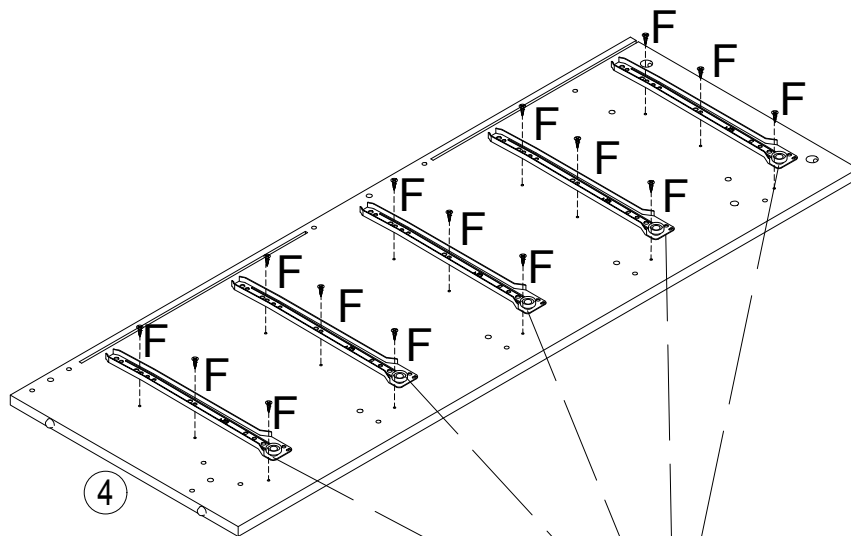


CL\*5PCS



F\*15PCS

# STEP 2

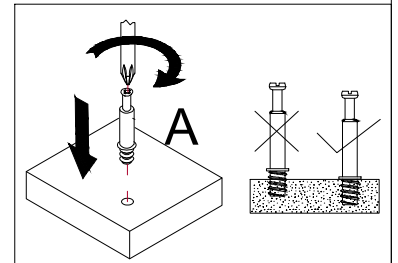
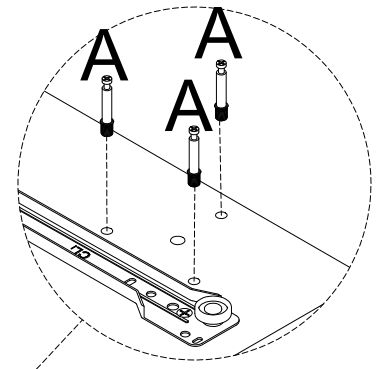
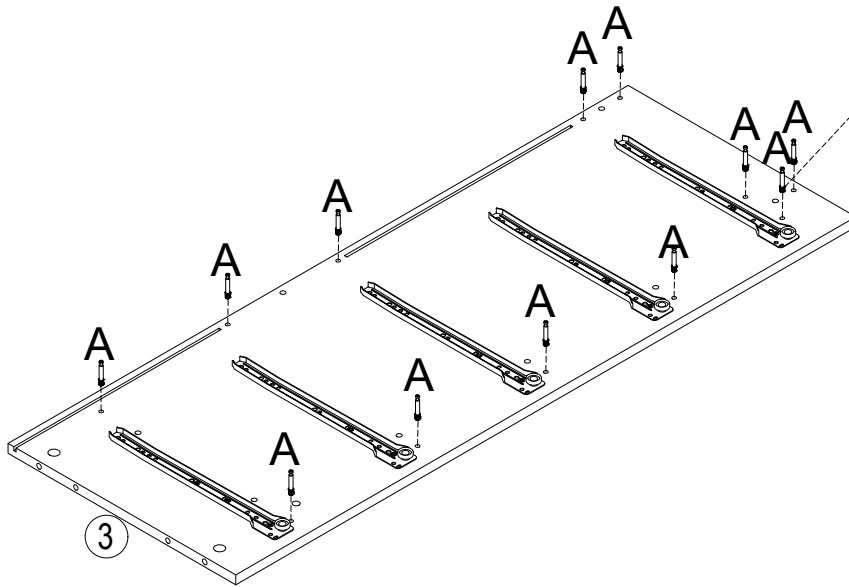


CR\*5PCS



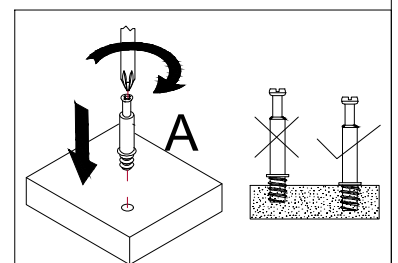
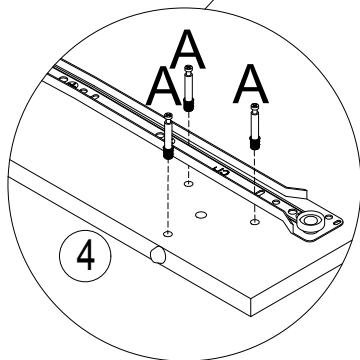
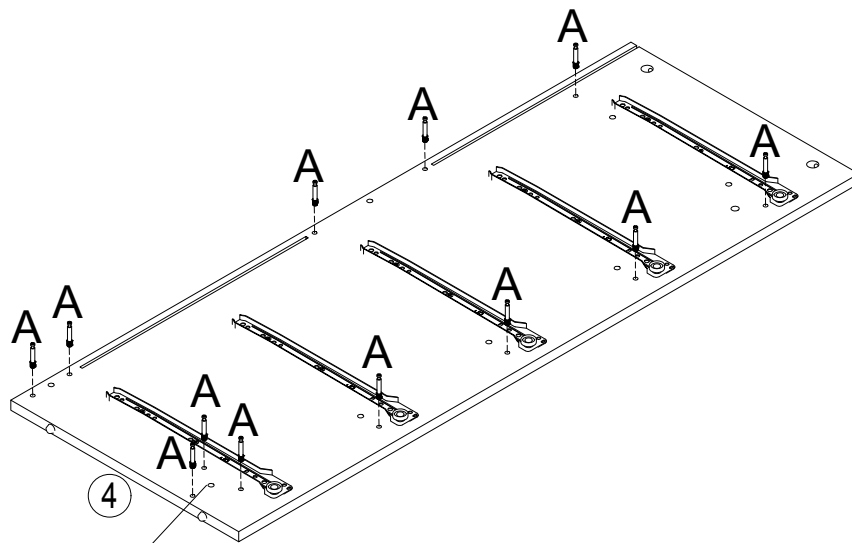
F\*15PCS

# STEP 3



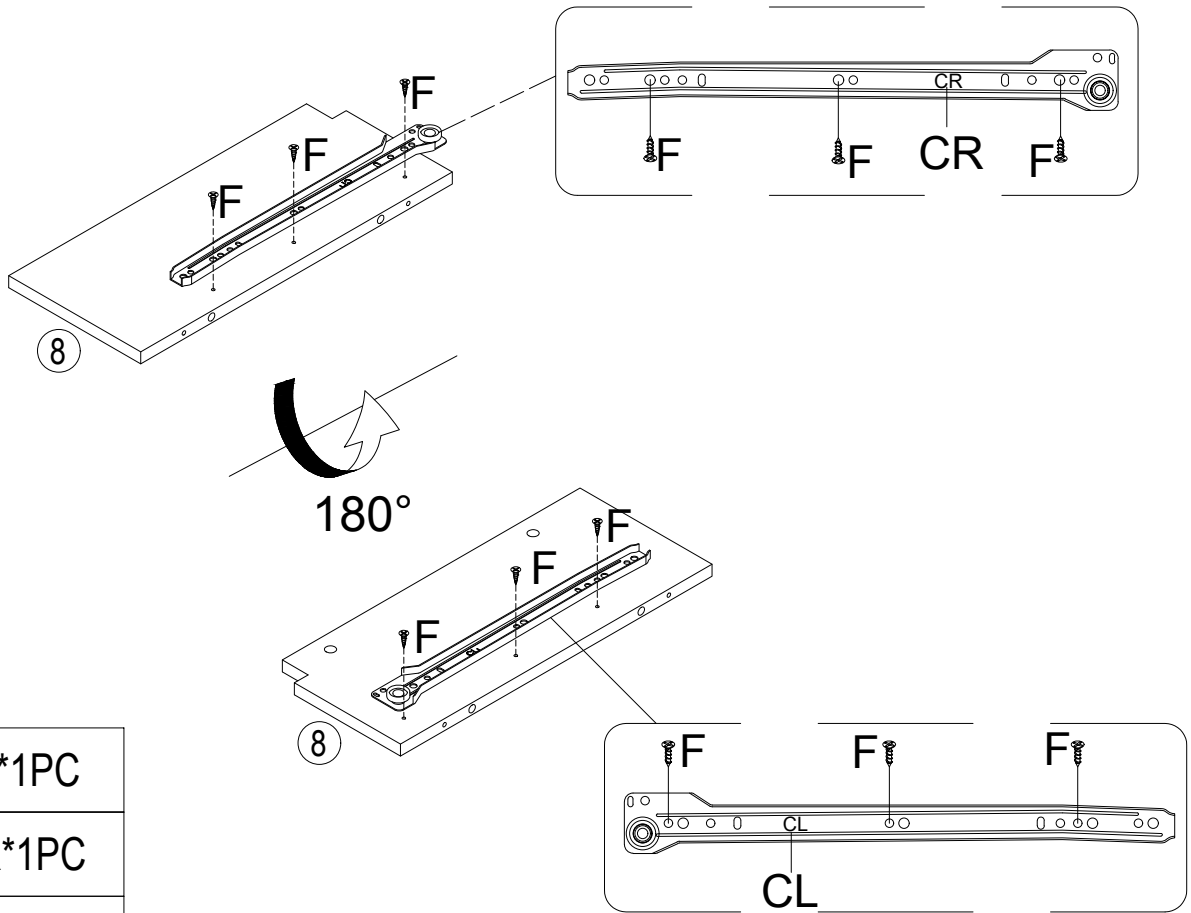
A\*12PCS



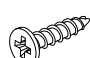
# STEP 4



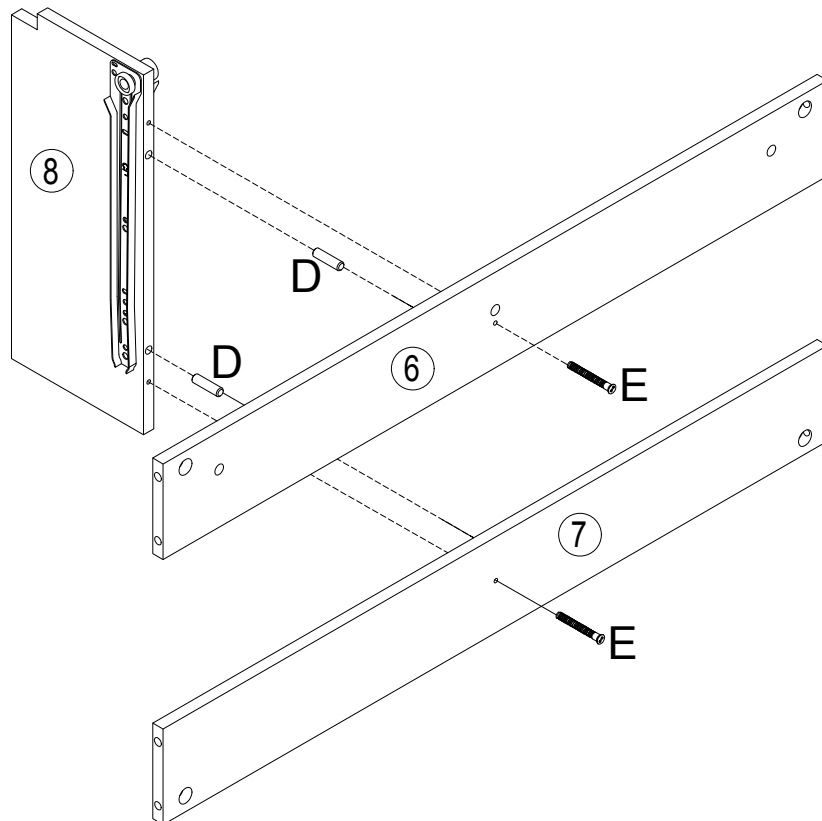
A\*12PCS

# STEP 5



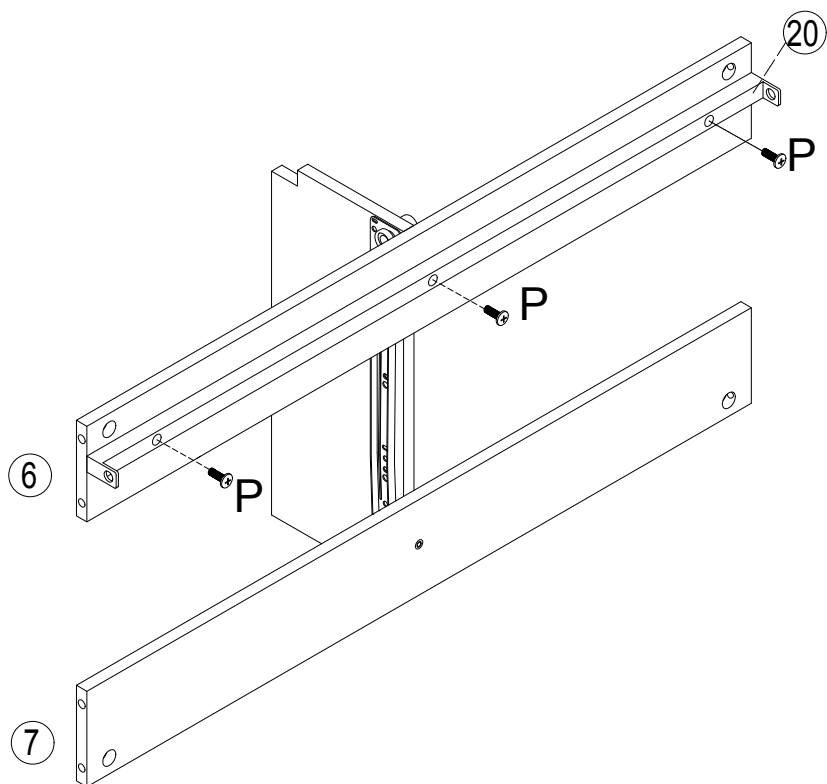
	CL*1PC
	CR*1PC
	F*6PCS

# STEP 6



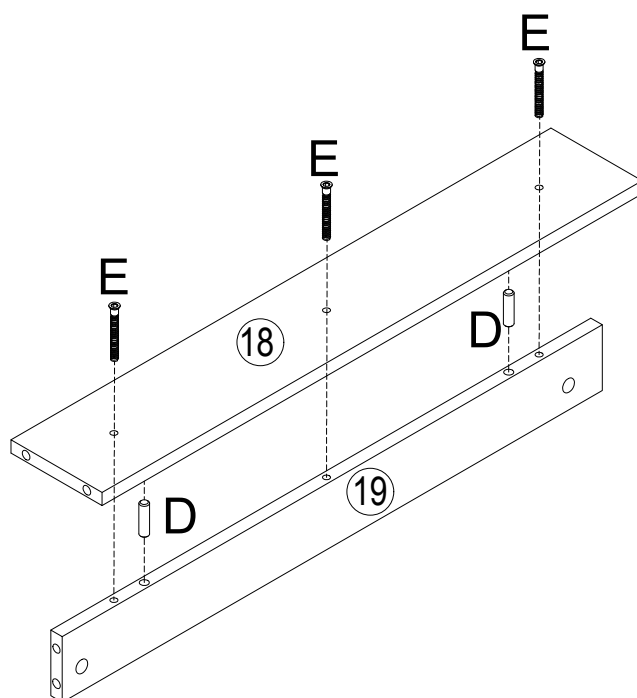
	E*2PCS
	D*2PCS

# STEP 7



P\*3PCS

# STEP 8

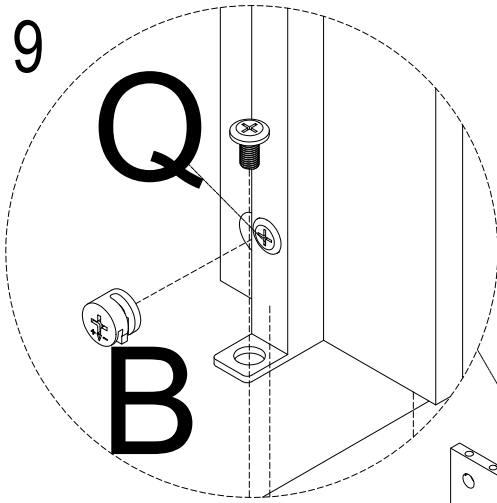


E\*3PCS

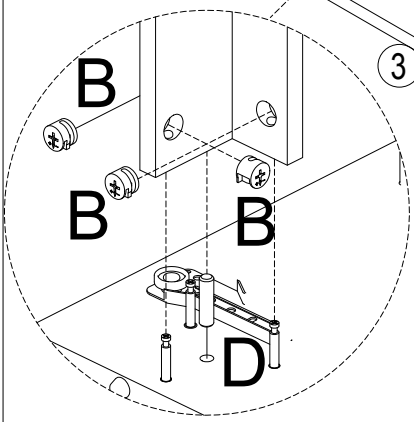
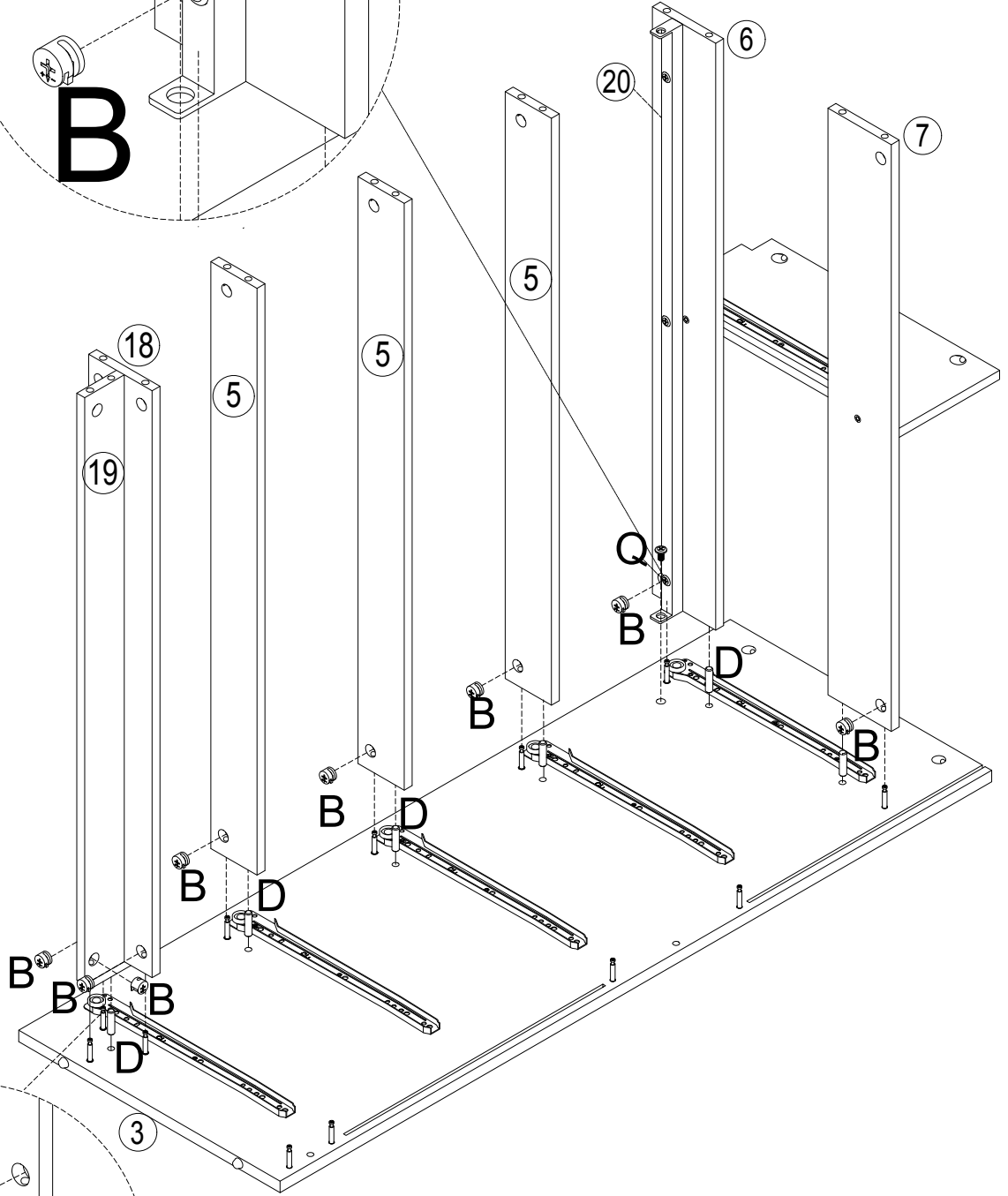


D\*2PCS

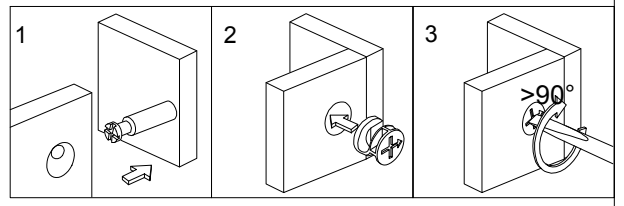
# STEP 9






**Q**  
**B**

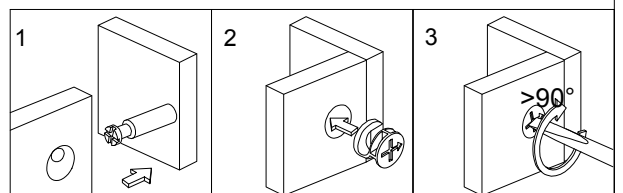
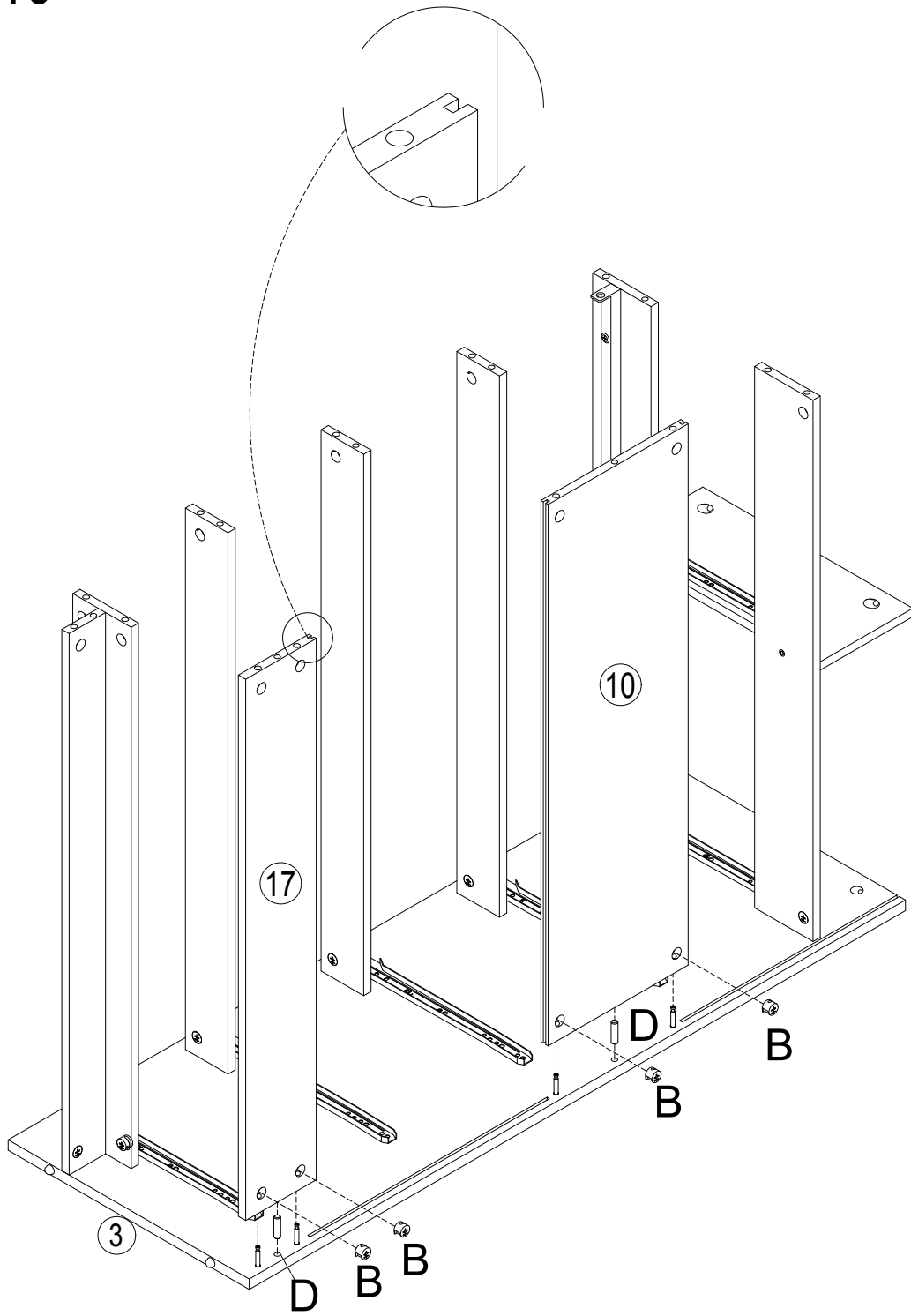




**B**  
**B**  
**B**  
**D**



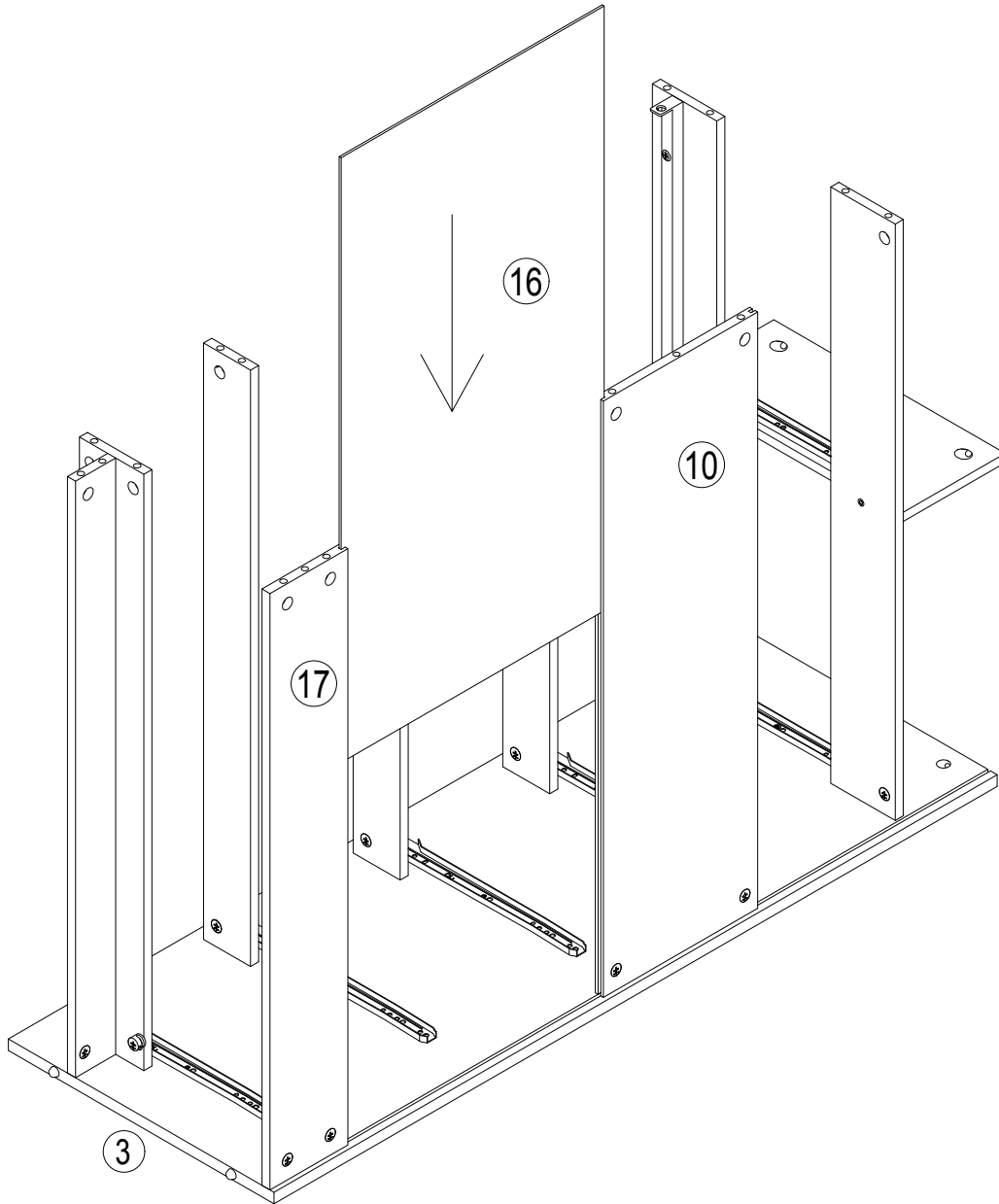
	Q*1PC
	B*8PCS
	D*6PCS

# STEP 10

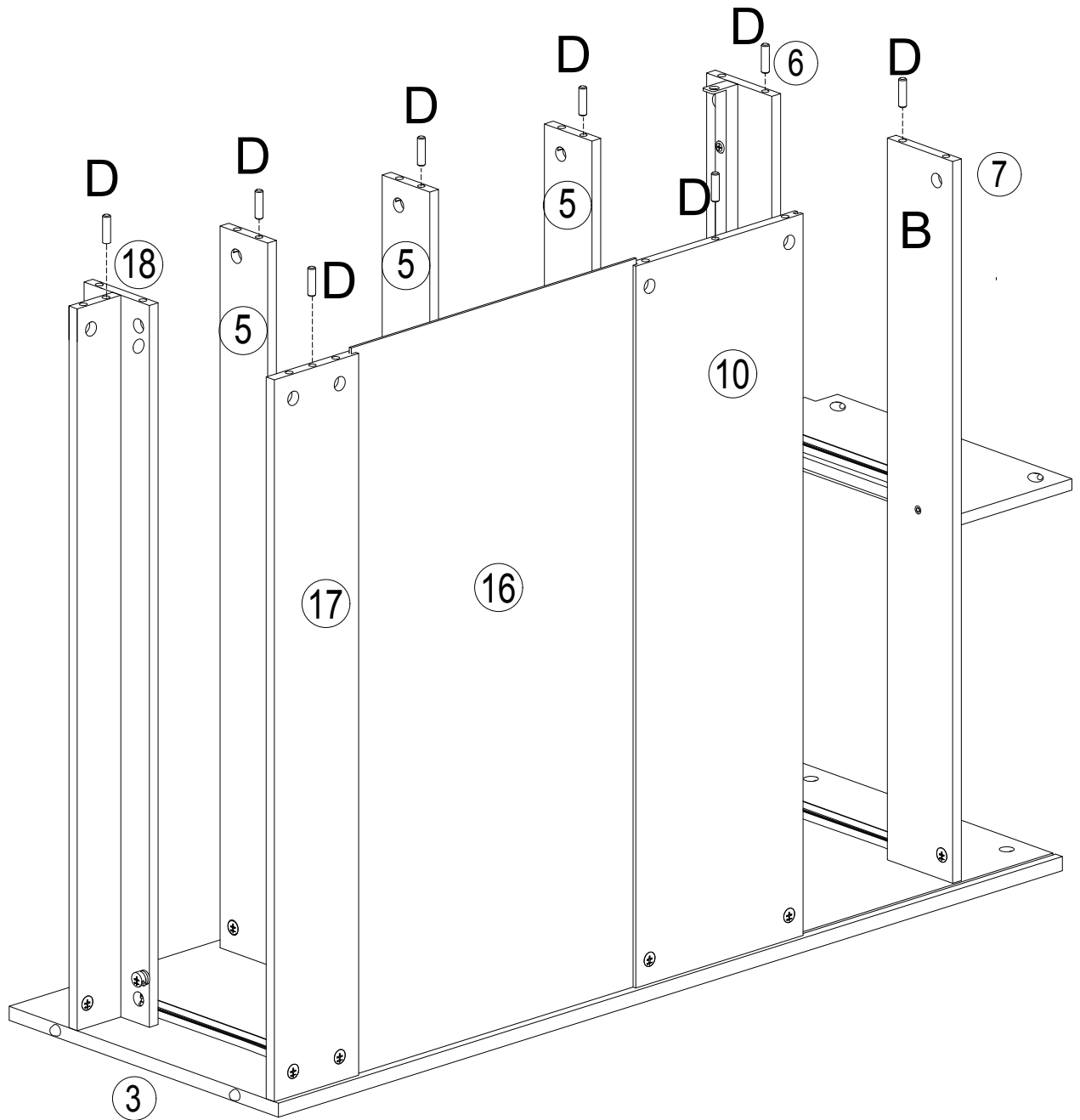


	B*4PCS
	D*2PCS

# STEP 11

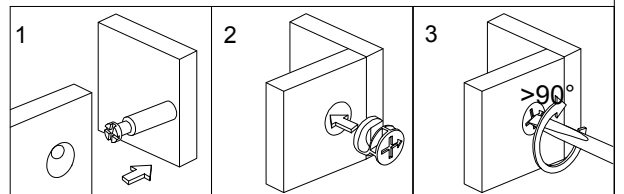
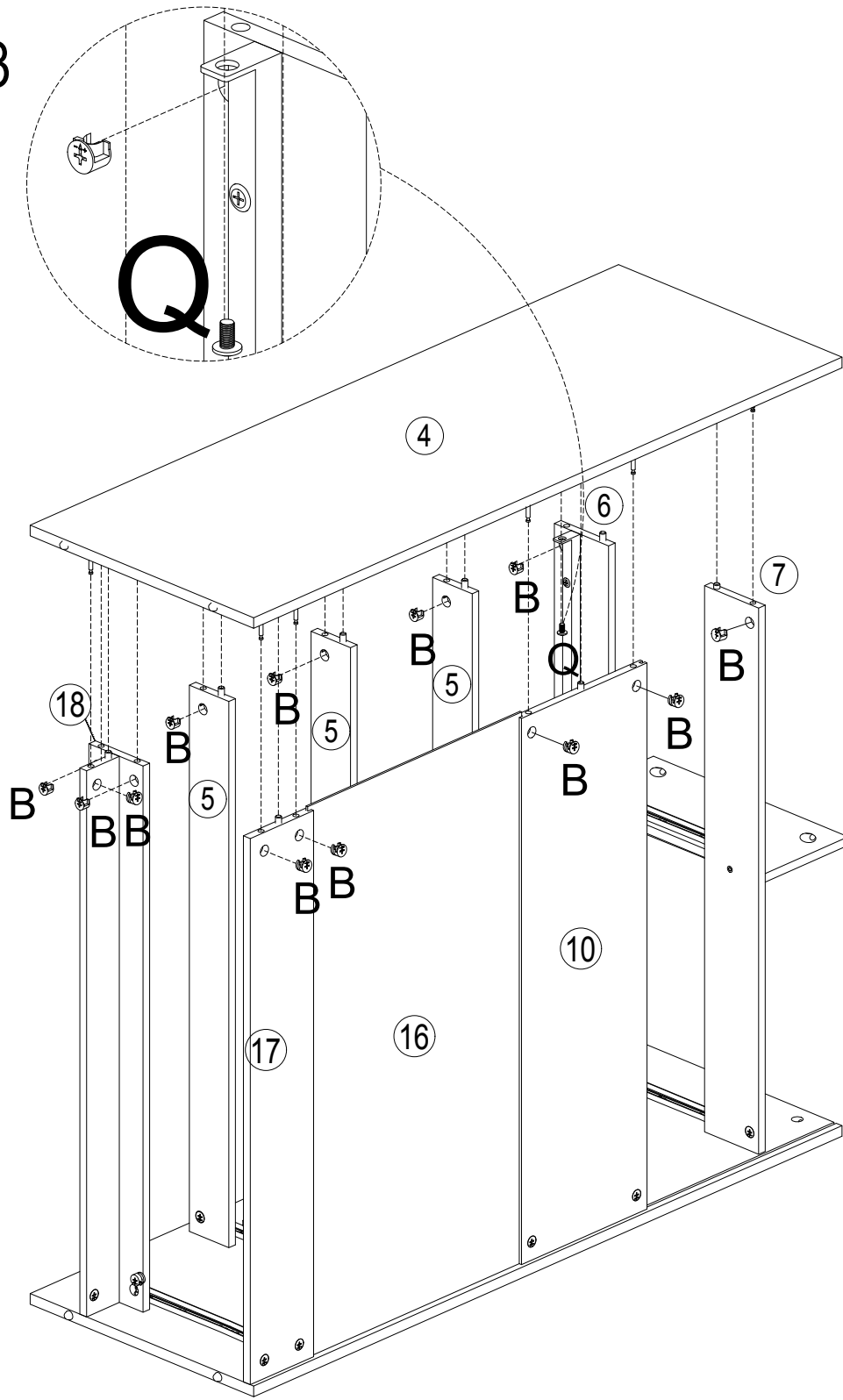




# STEP 12



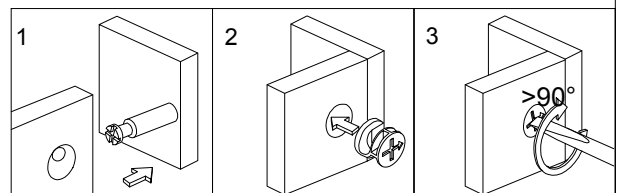
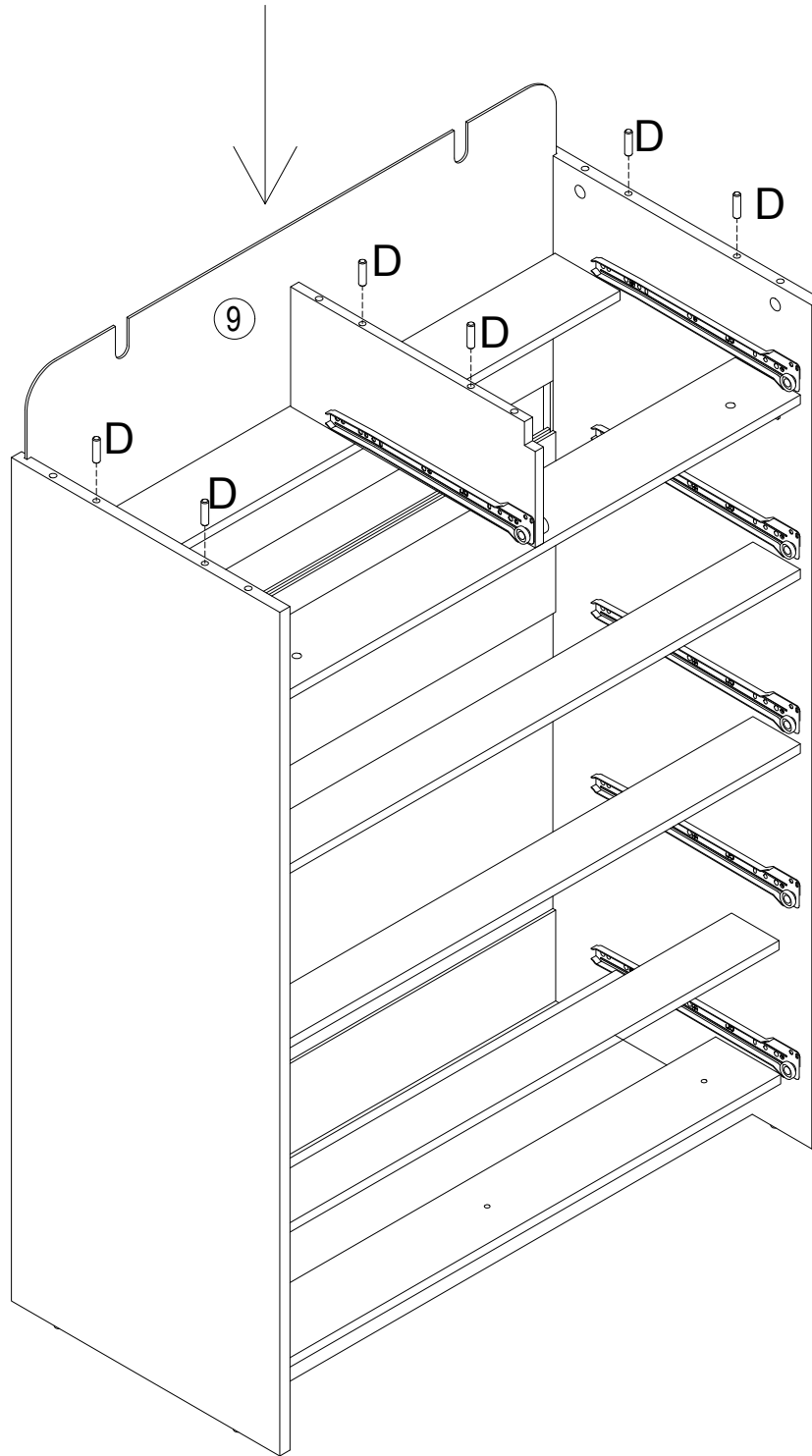
D\*8PCS

# STEP 13



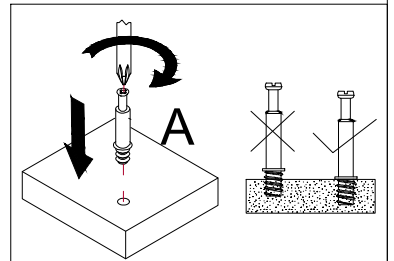
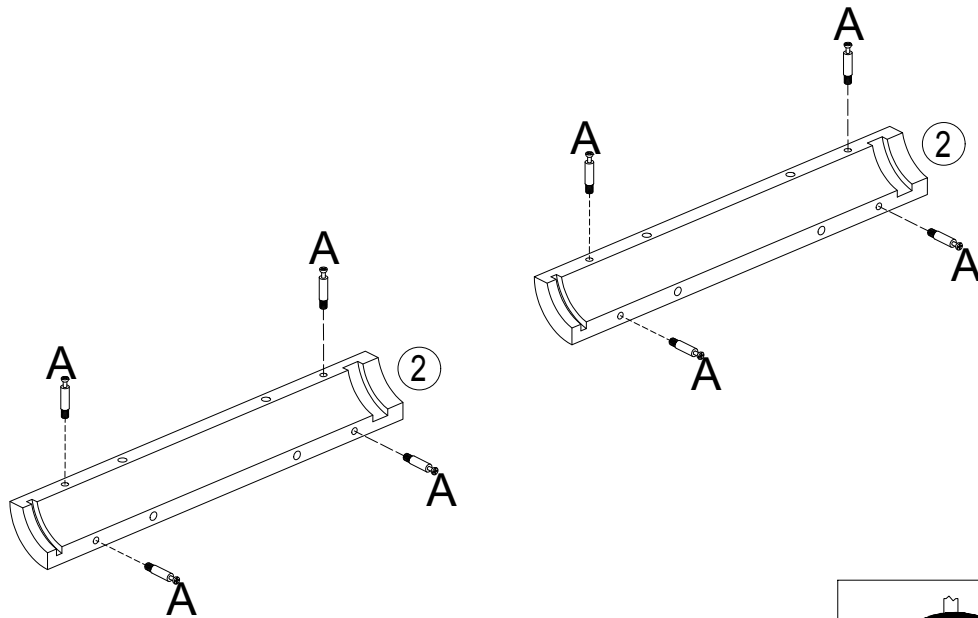
	Q*1PC
	B*12PCS

# STEP 14



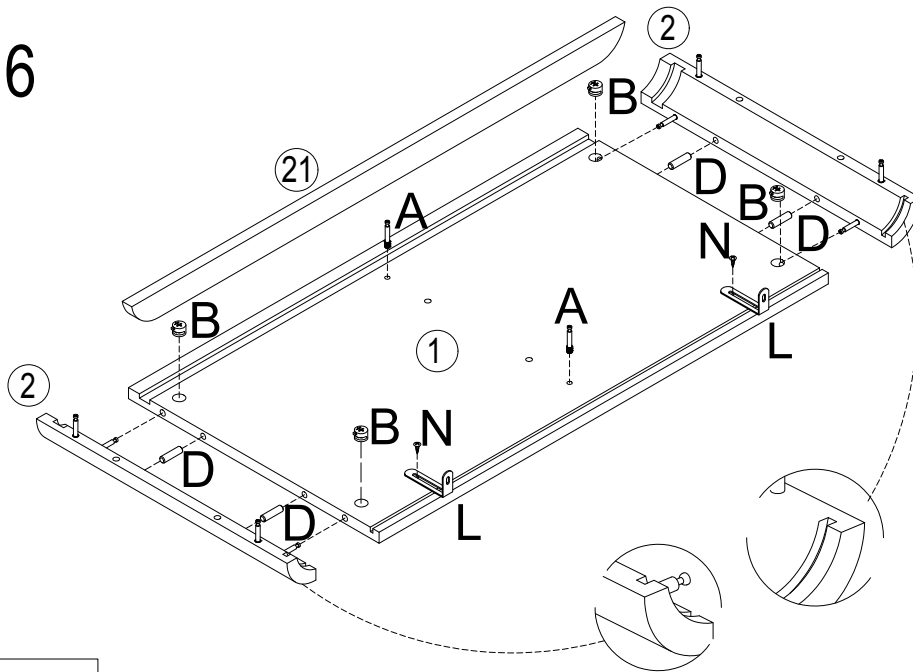
D\*6PCS

# STEP 15



A\*8PCS

# STEP 16



A\*2PCS



B\*4PCS



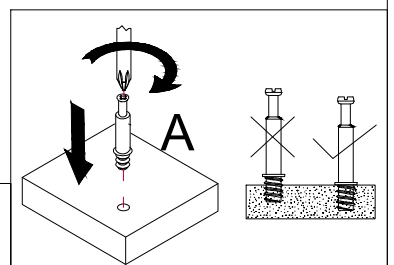
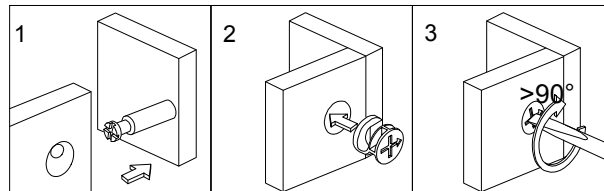
D\*4PCS



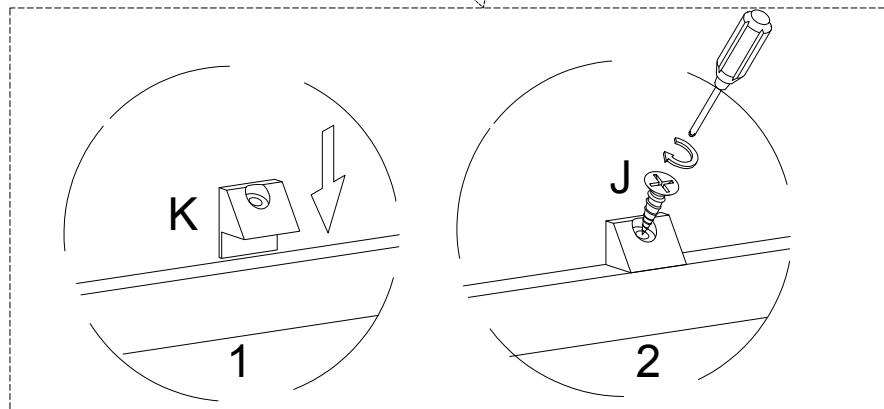
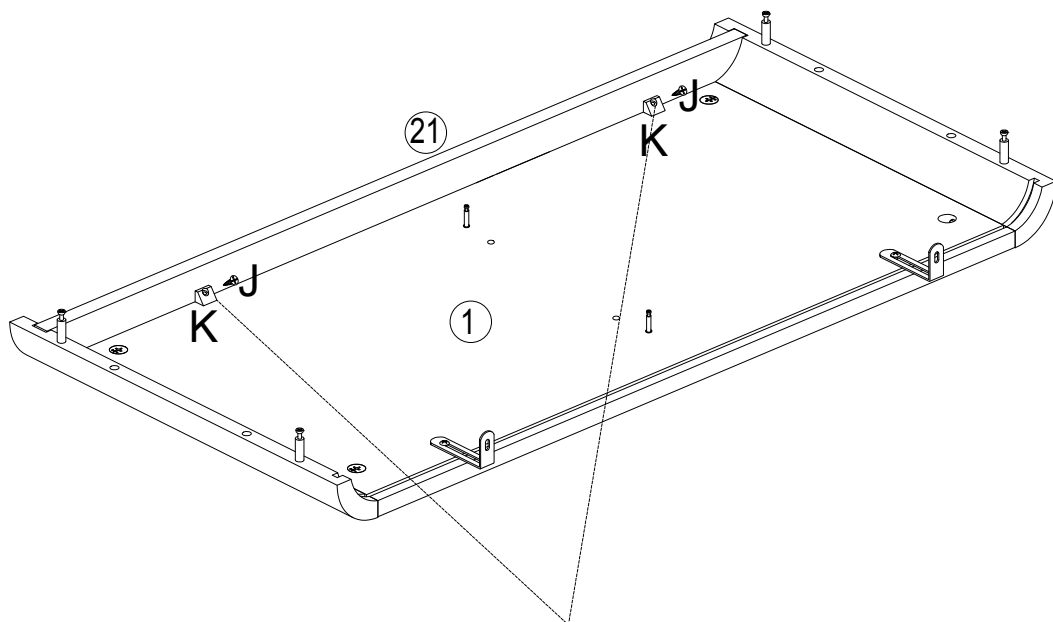
L\*2PCS



N\*2PCS



# STEP 17



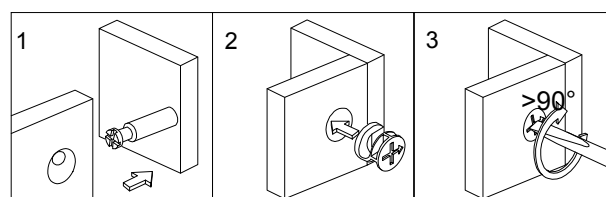
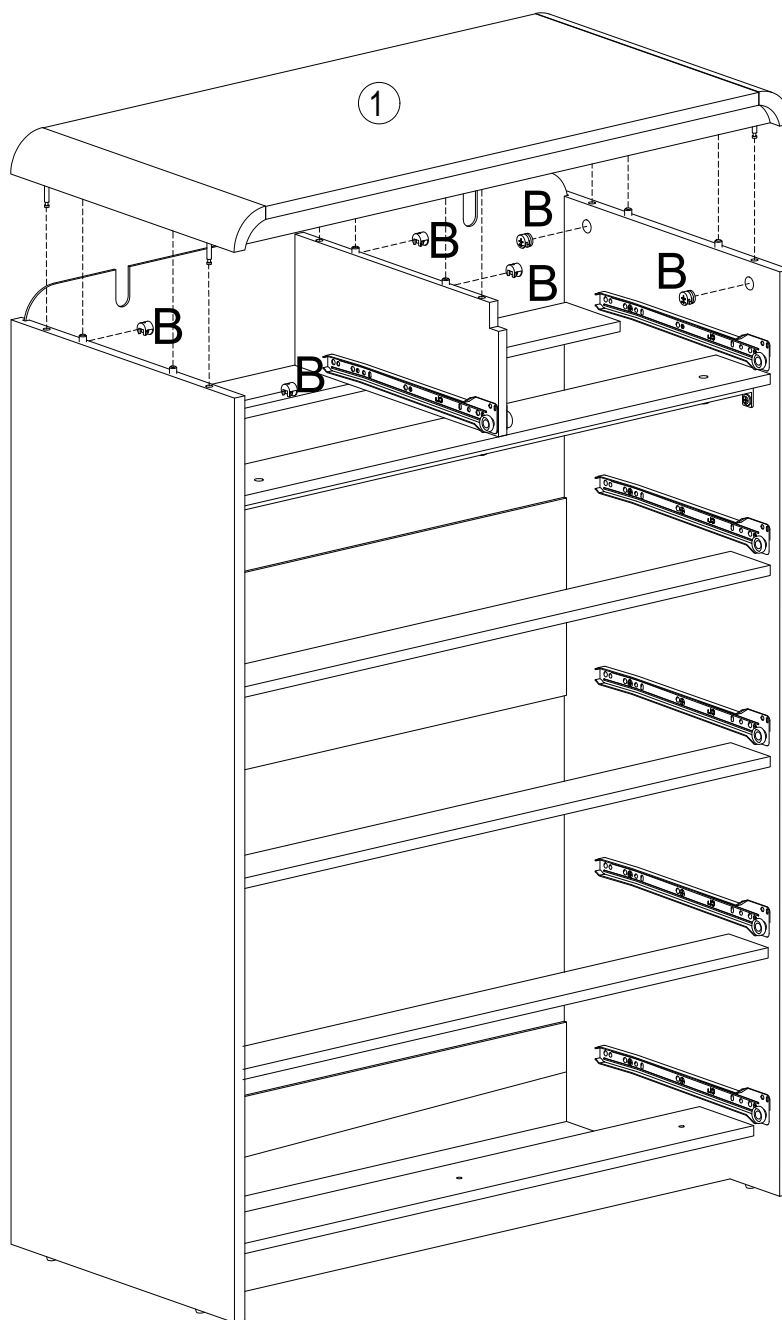
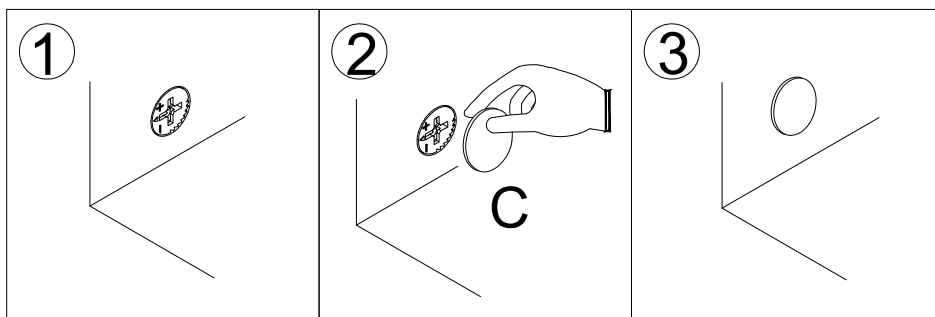
J\*2PCS





K\*2PCS

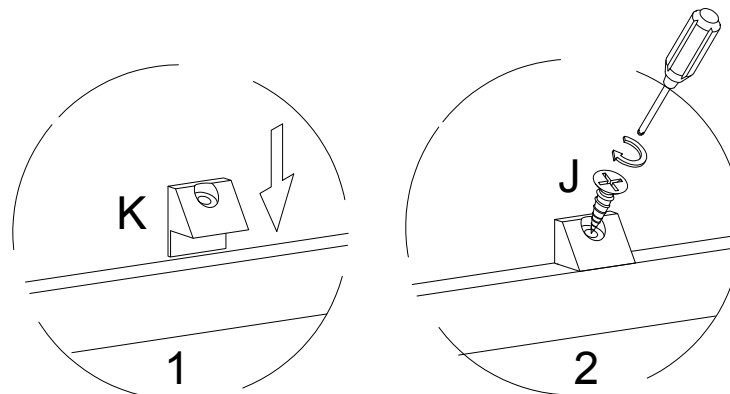
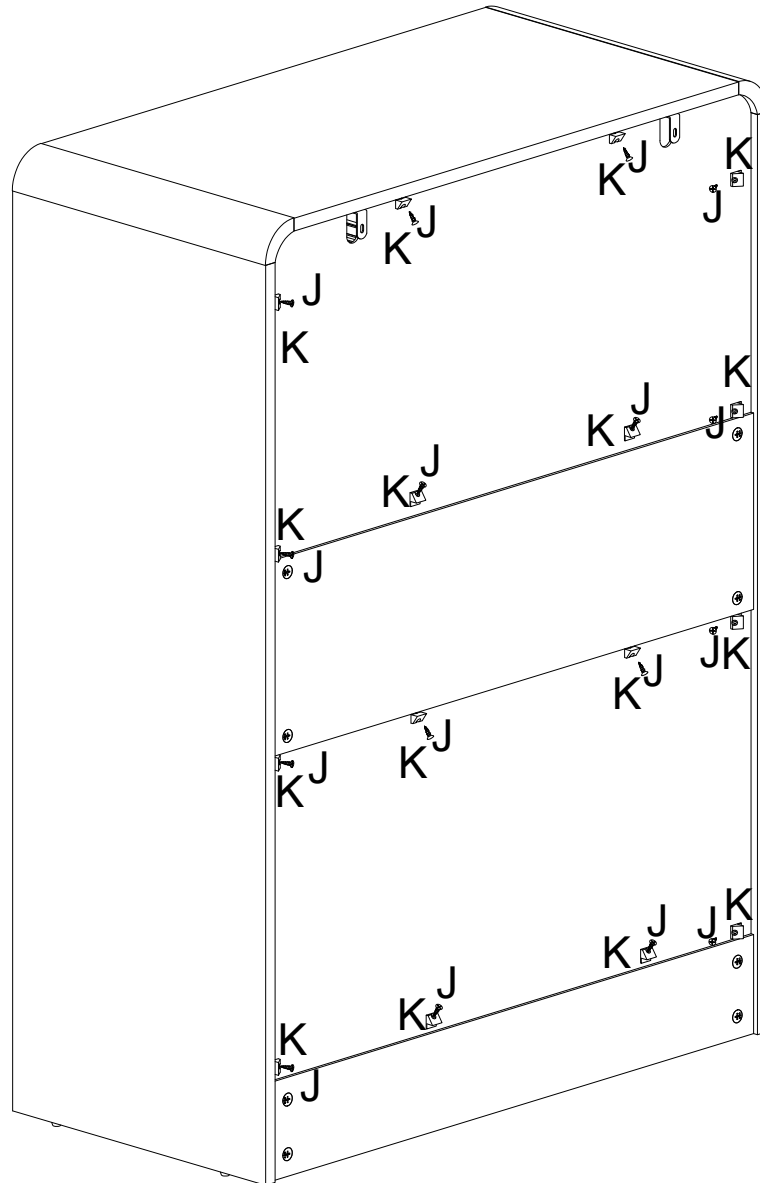
# STEP 18

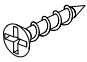
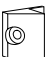
Cover the visible



	B*6PCS
	C*34PCS

# STEP 19

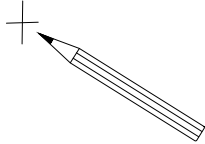


	J*16PCS
	K*16PCS

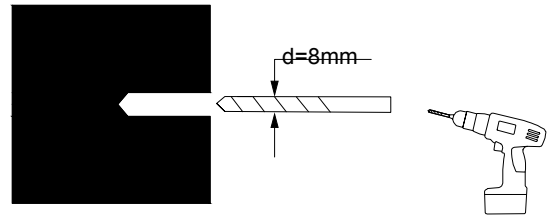
# STEP 20

## Method 1: For solid or concrete wall.

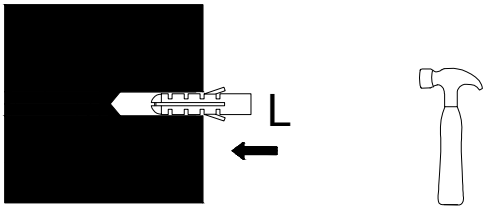
- ① 1. Choose your desired location on the wall. Have your friend hold the product in place and use a pencil to mark where the anchor will go.



- ② 2. Pre-drill holes on the wall with a drill bit that is larger than the diameter of the wall anchors.

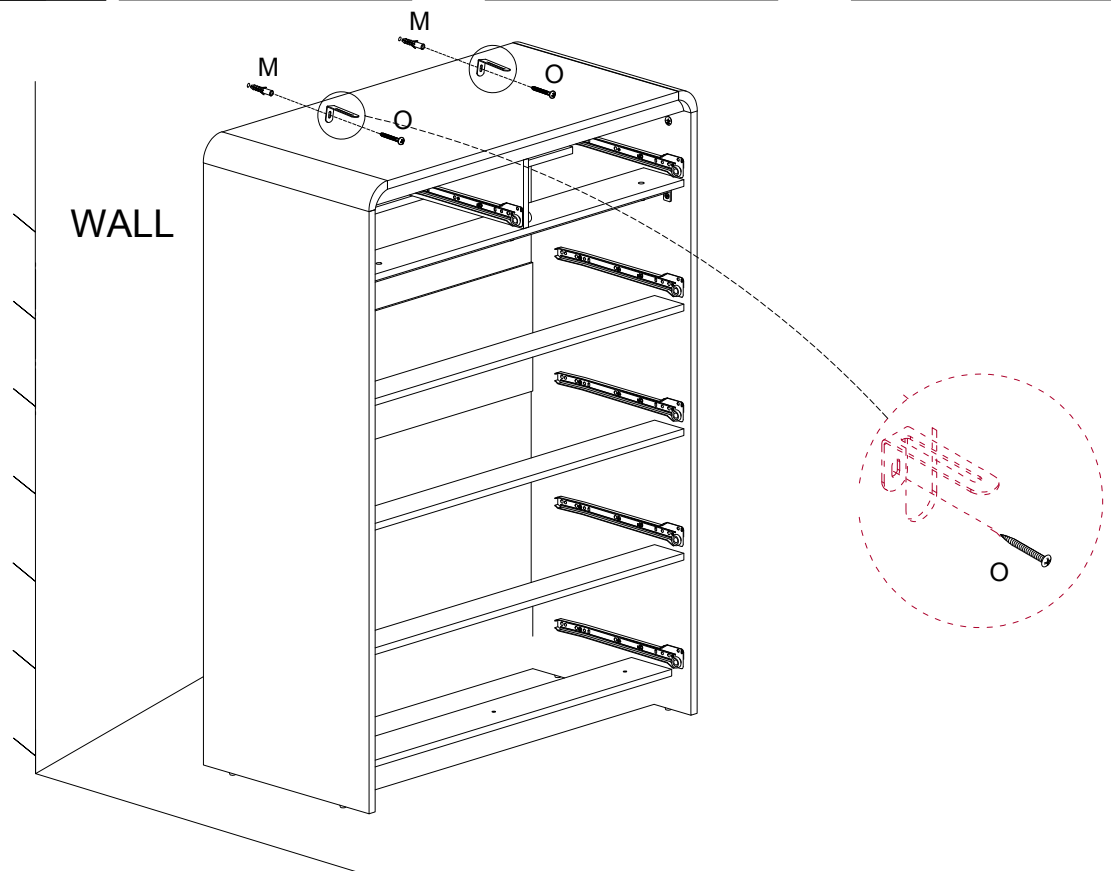
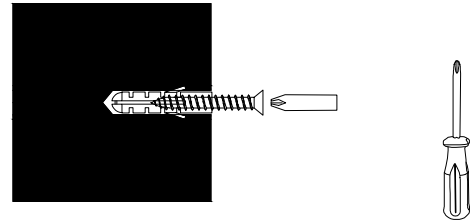


- ③ 3. Gently insert the wall anchor into the pre-drilled hole.



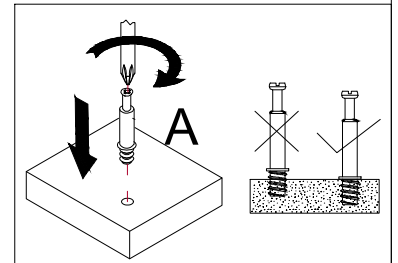
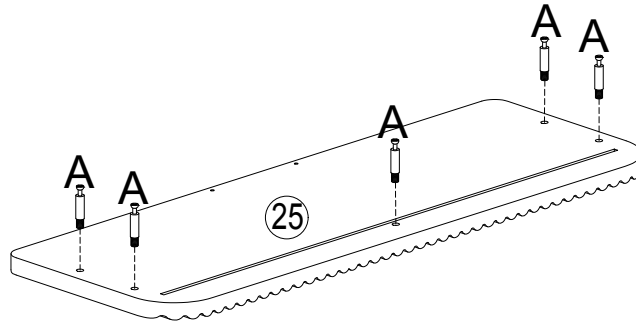
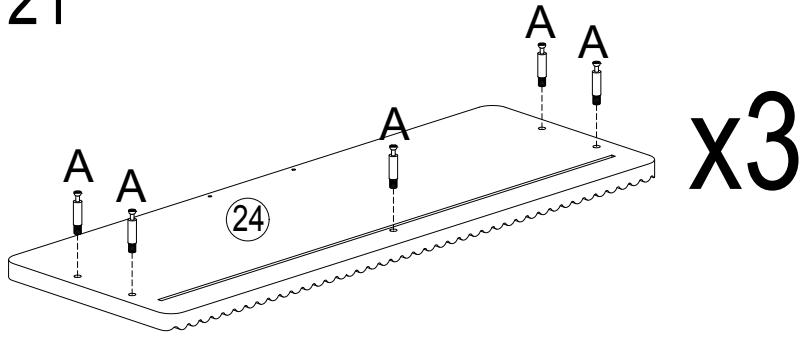
M\*2PCS

- ④ 4. Insert the screws into the wall anchor with a screwdriver to complete the installation.



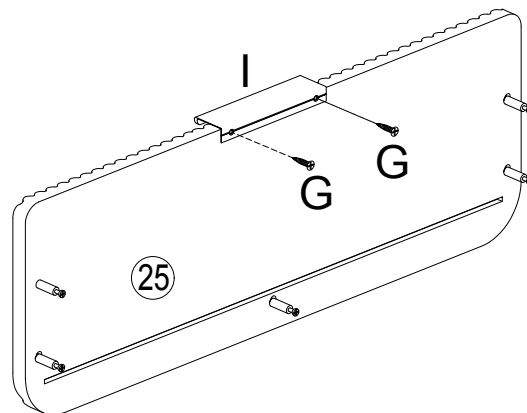
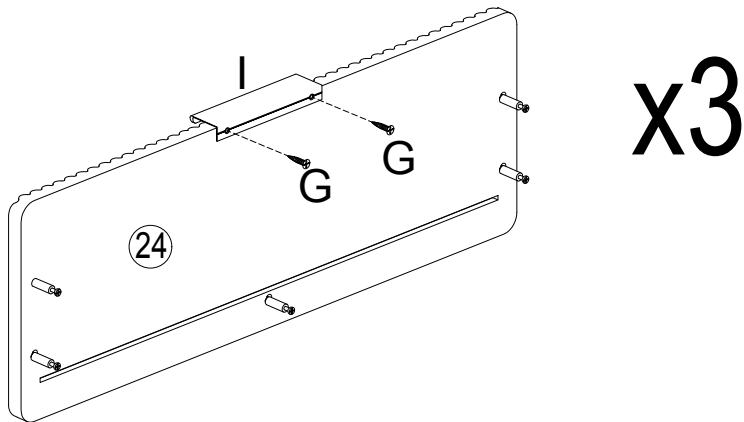
O\*2PCS

# STEP 21

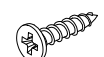


A\*20PCS

# STEP 22

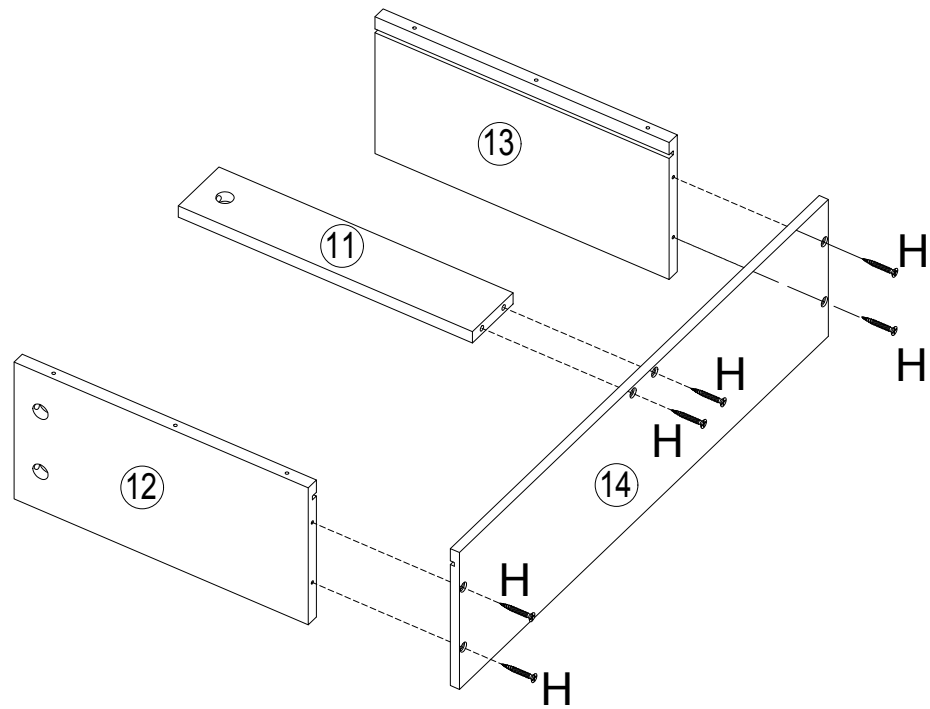


I\*4PCS



G\*8PCS

# STEP 23

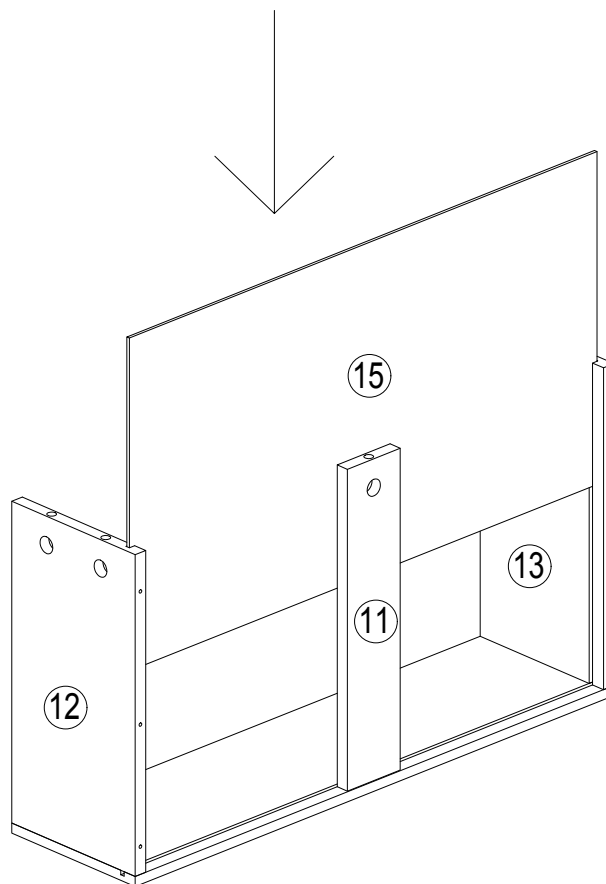


x4



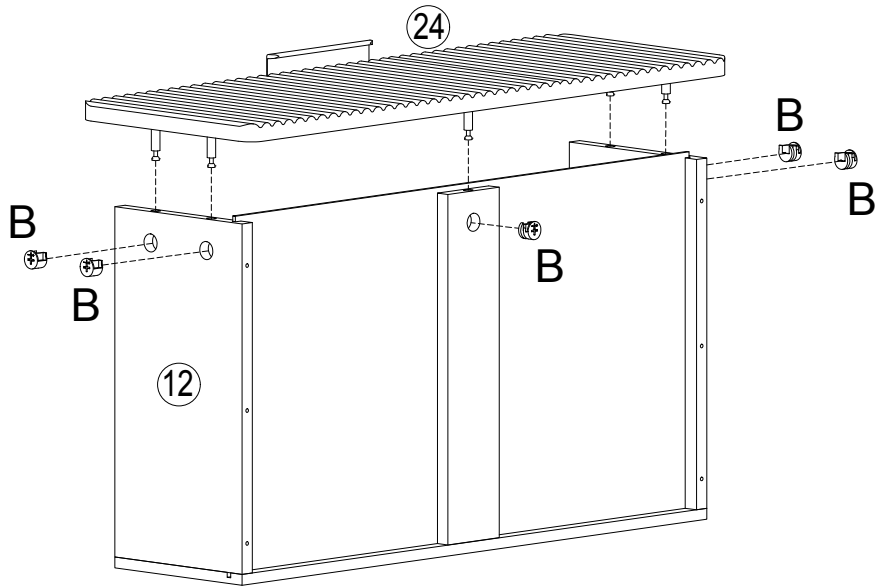
H\*24PCS

# STEP 24

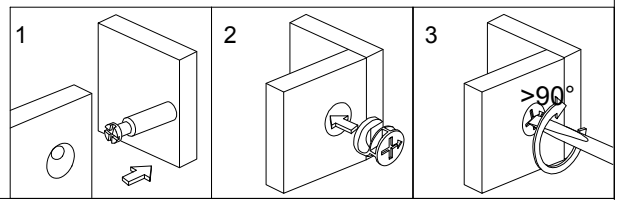


x4

# STEP 25

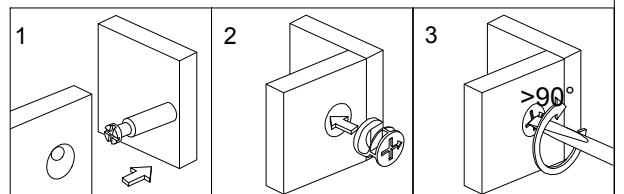
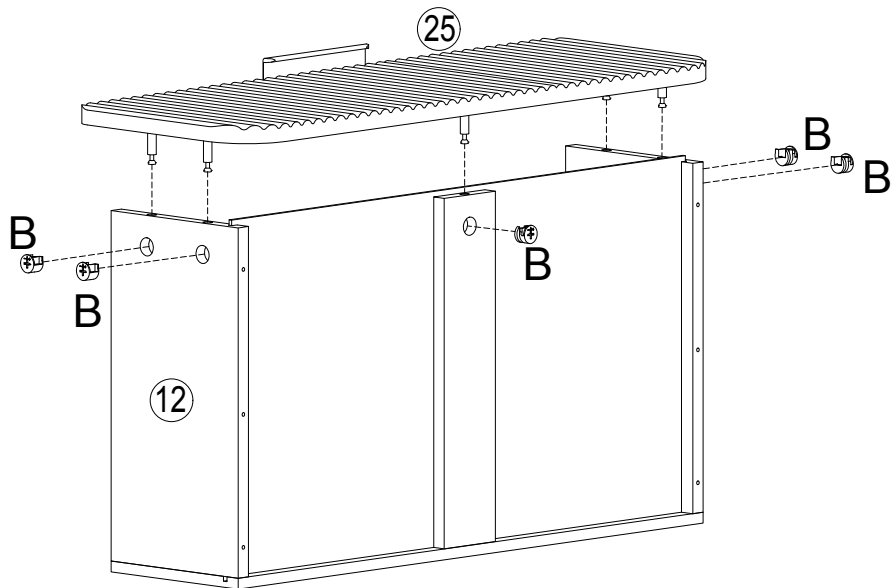


x3



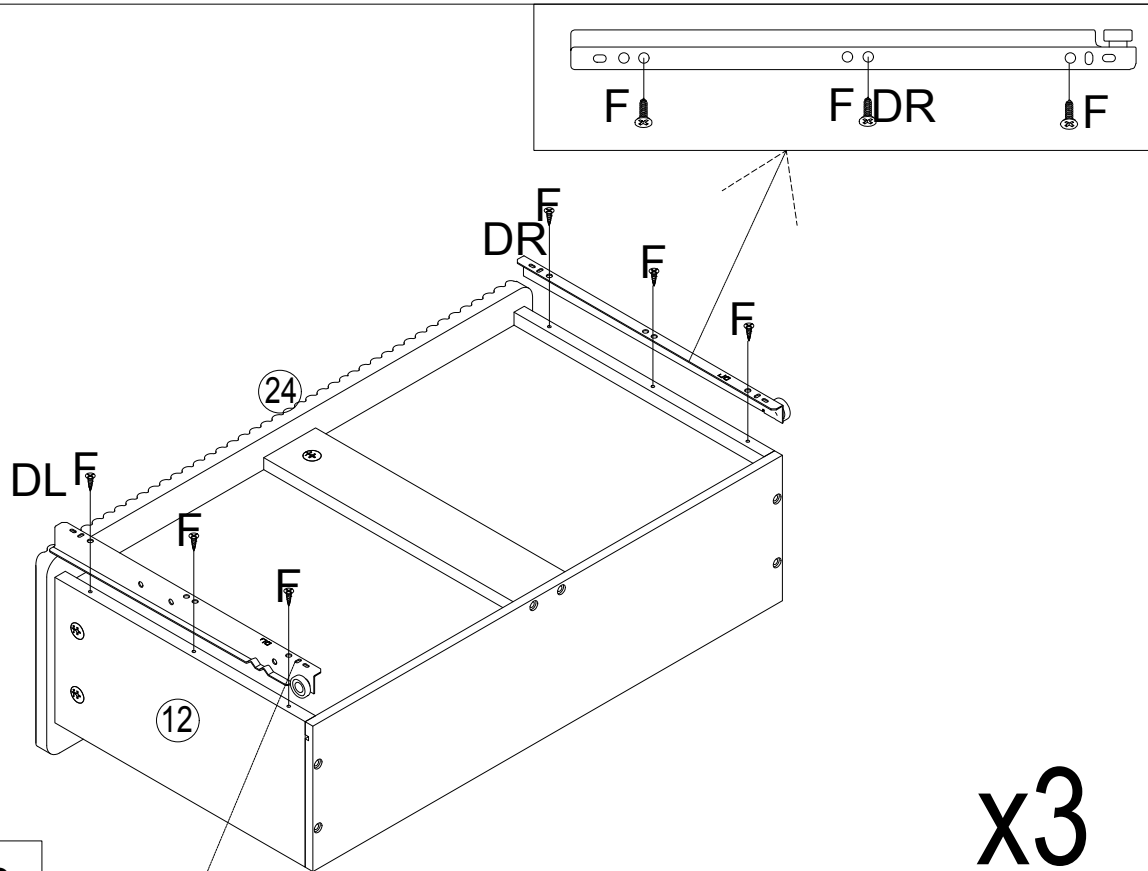
B\*15PCS

# STEP 26



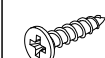


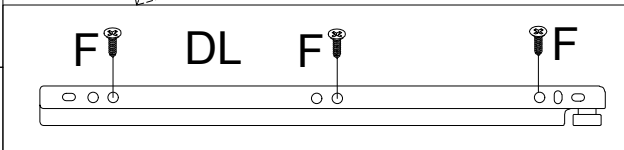
B\*5PCS

# STEP 27

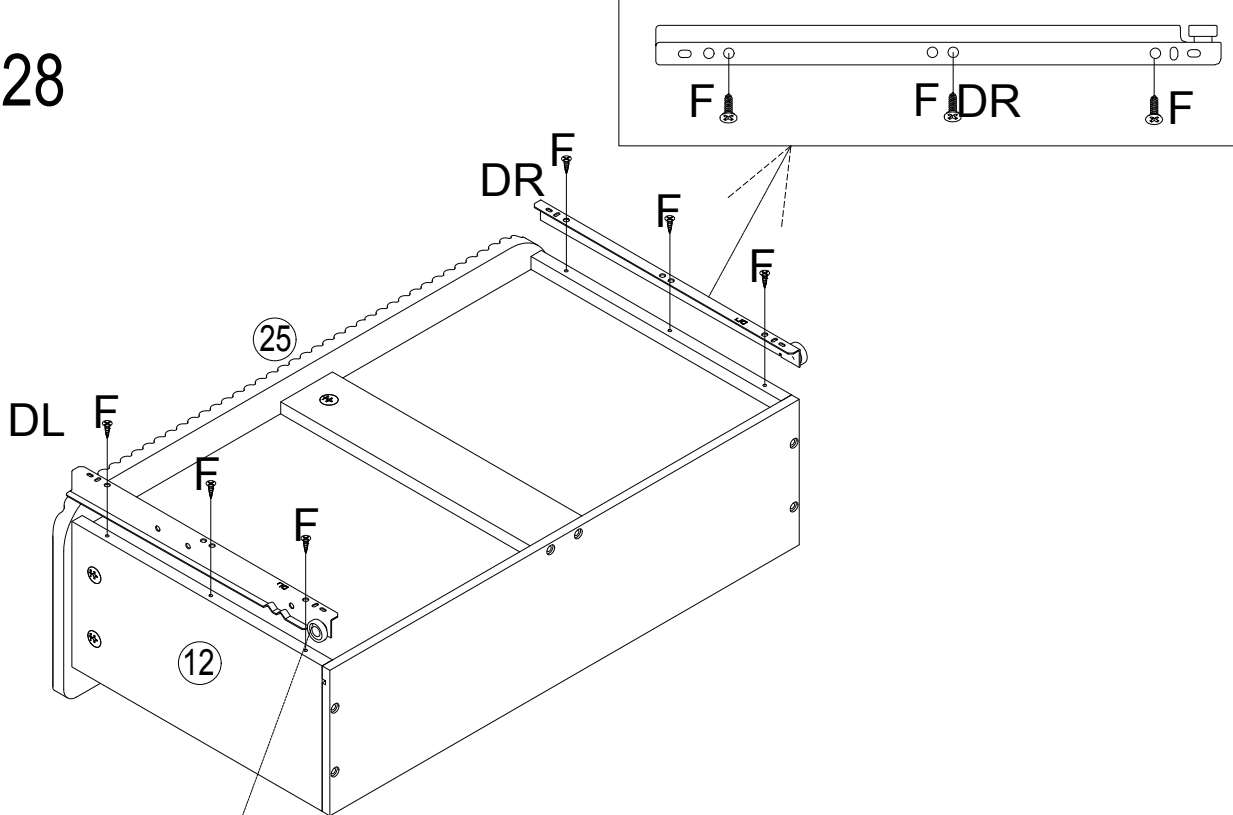





x3

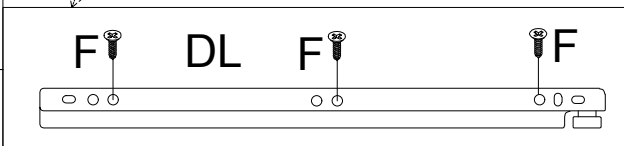
	DL*3PCS
	DR*3PCS
	F*18PCS



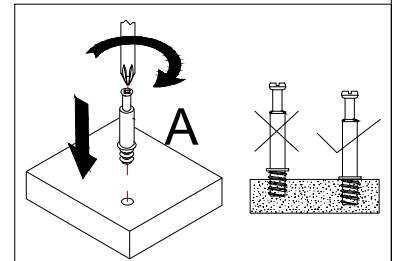
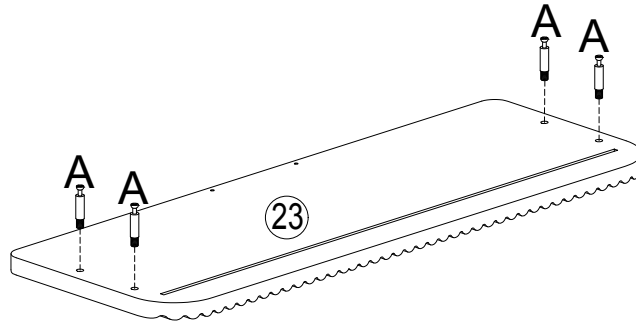
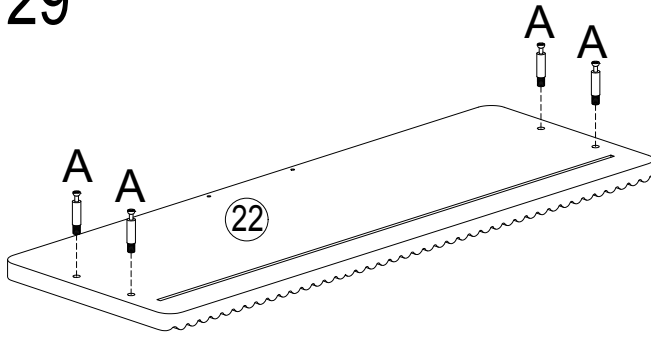
# STEP 28



	DL*1PCS
	DR*1PCS
	F*6PCS

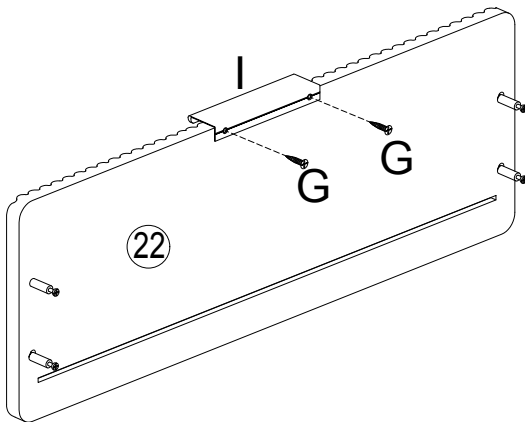


# STEP 29

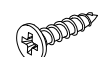


A\*8PCS

# STEP 30

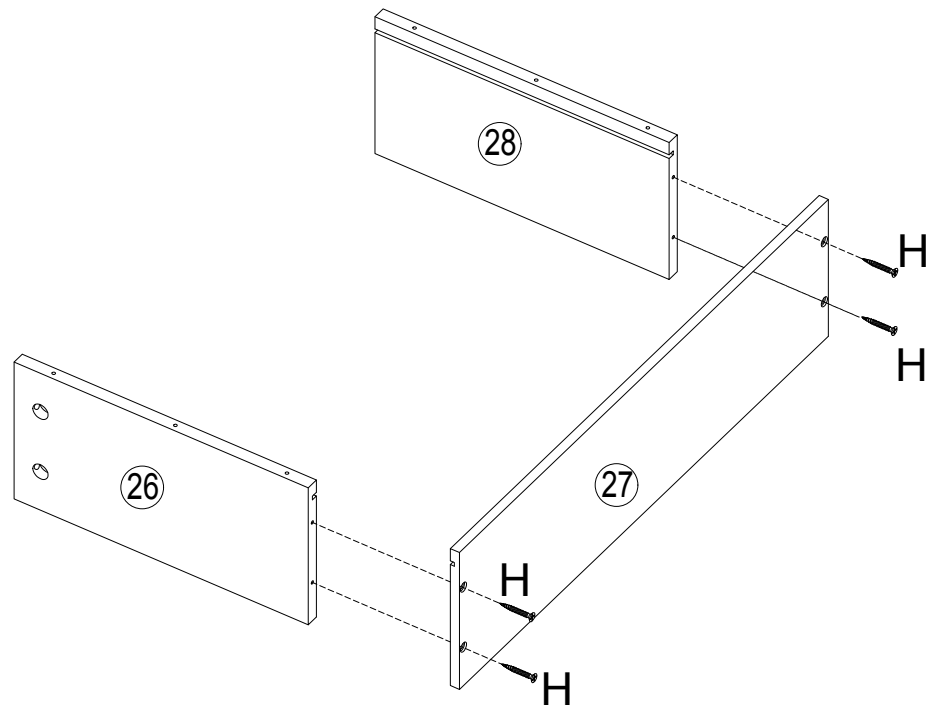


I\*2PCS



G\*4PCS

# STEP 31

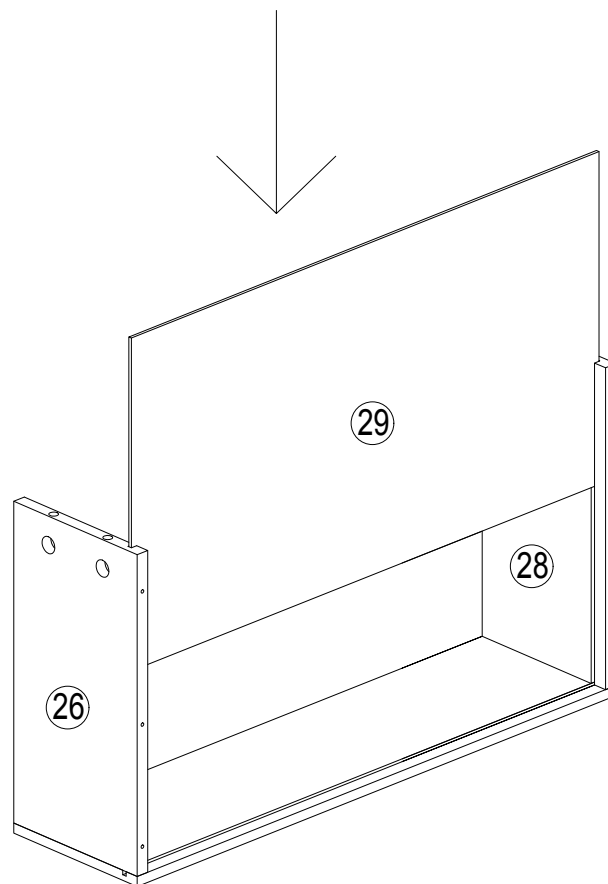


x2



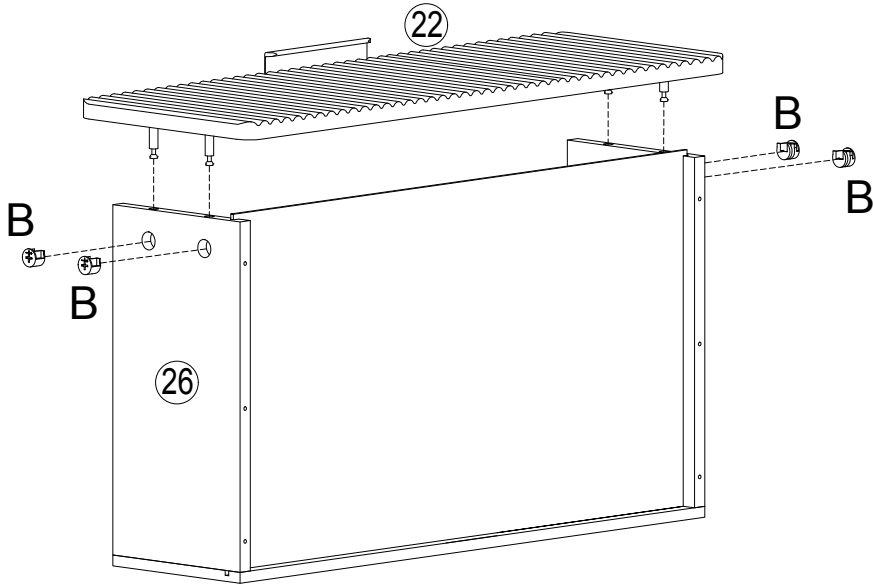
H\*8PCS

# STEP 32

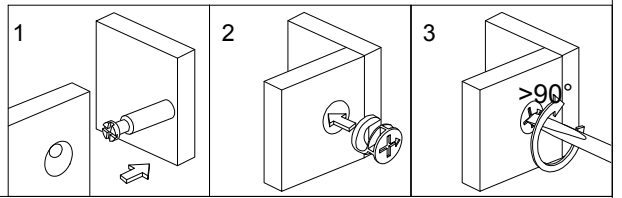


x2

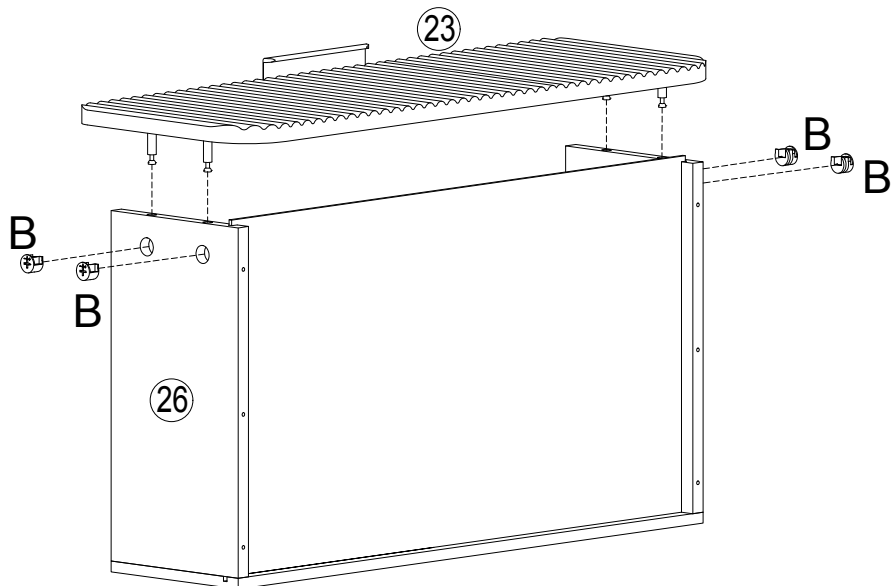
# STEP 33



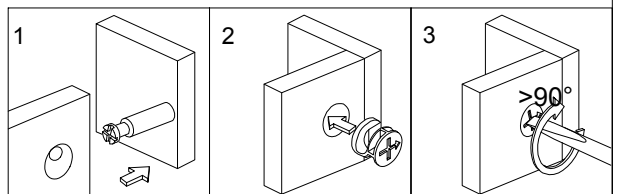
B\*4PCS



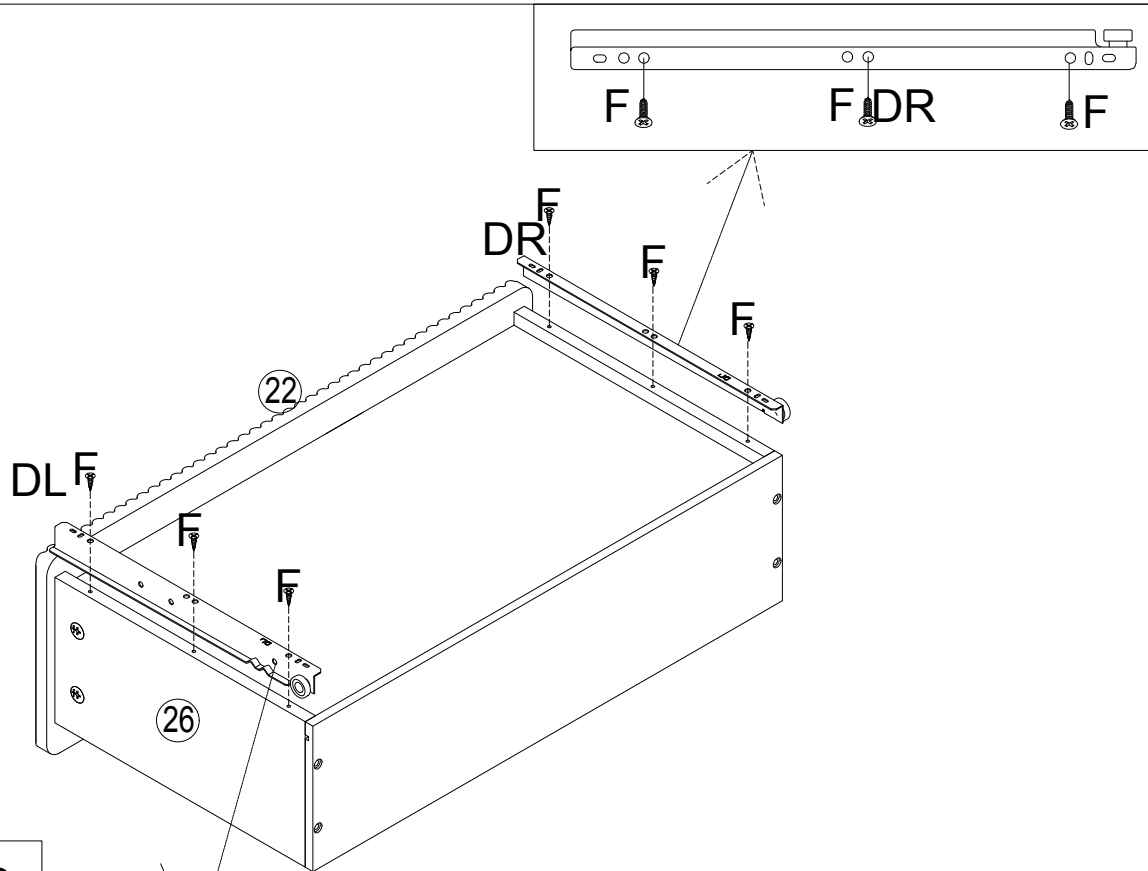
# STEP 34



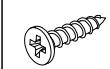


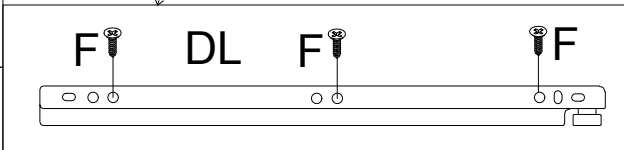
B\*4PCS



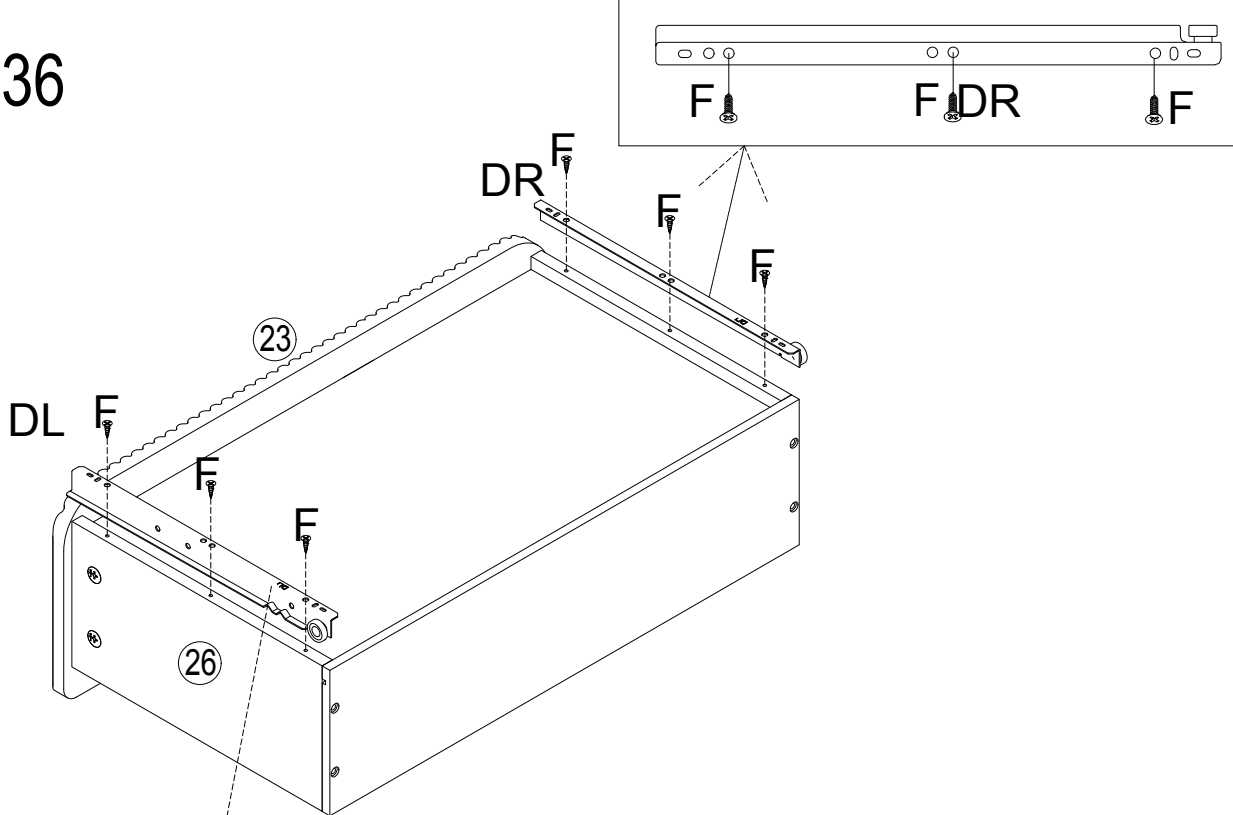
# STEP 35



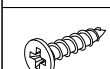


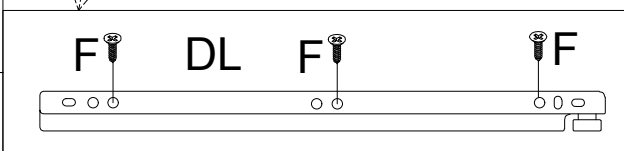
	DL*1PCS
	DR*1PCS
	F*6PCS



# STEP 36

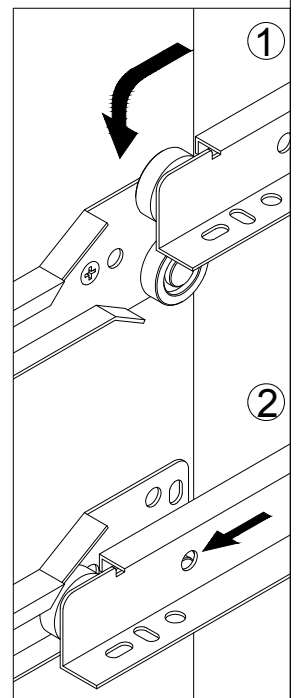
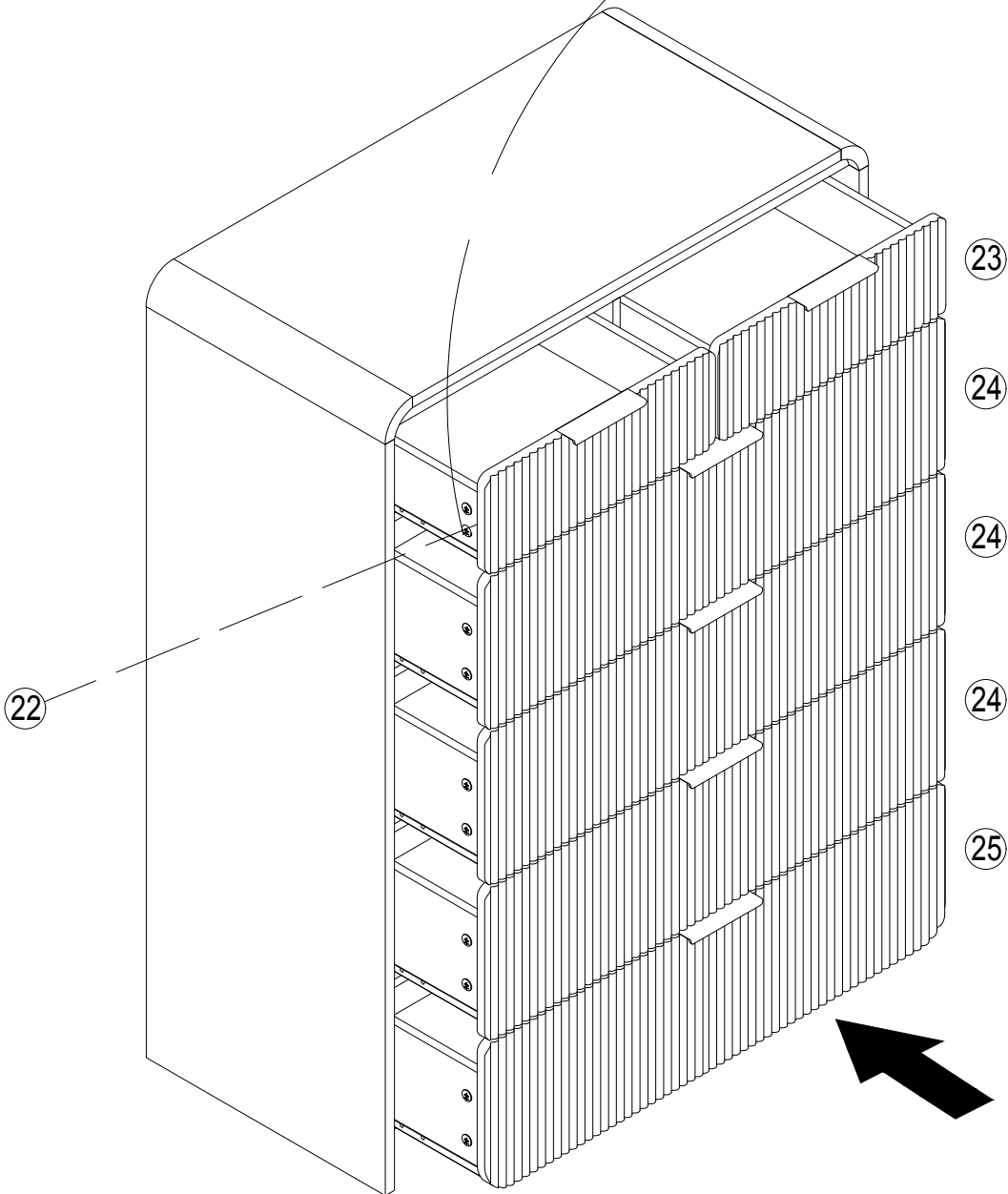
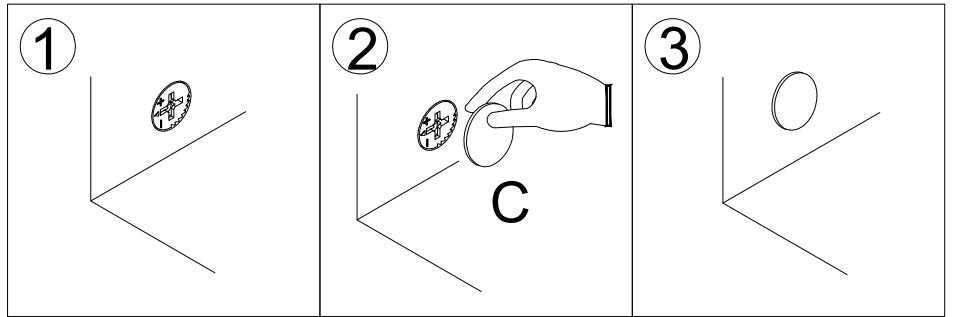


	DL*1PCS
	DR*1PCS
	F*6PCS



# STEP 37

Cover the visible



C\*28PCS