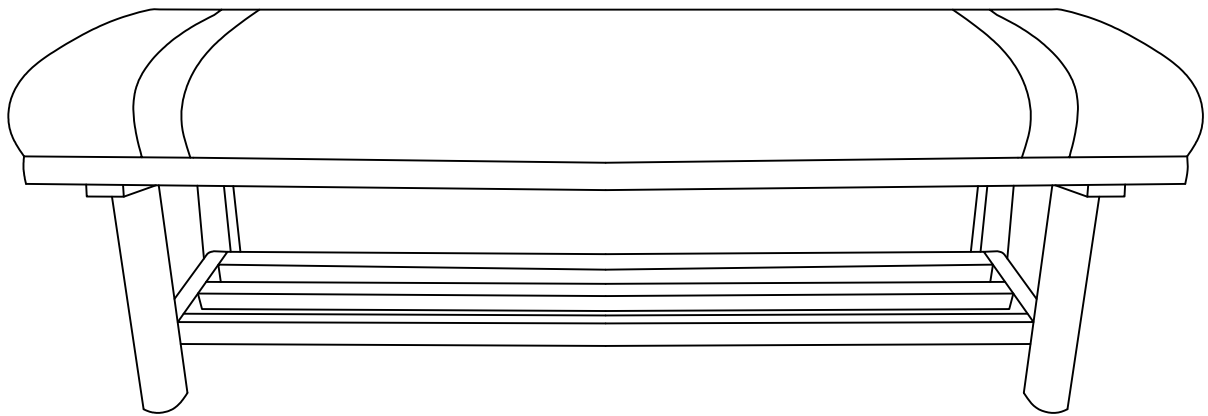


Assembly Instruction

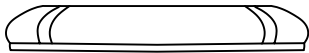
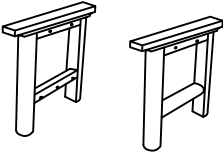

Bench






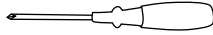



ASSEMBLY TIPS:

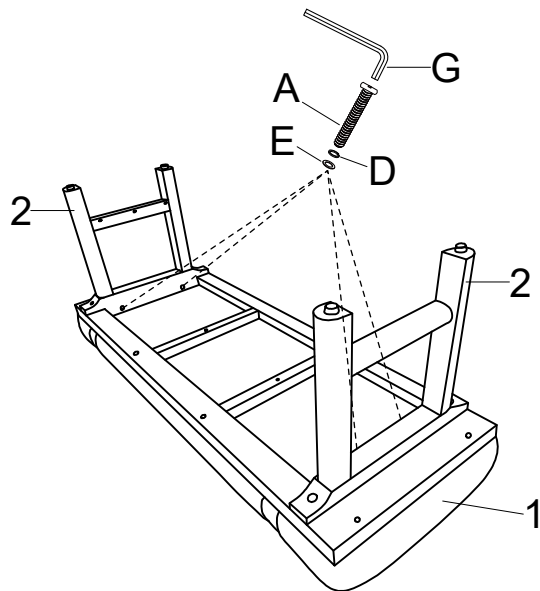
1. Remove hardware from box and sort by size.
2. Please check to see that all hardware and parts are present prior to start of assembly.
3. Please follow attached instructions in the same sequence as numbered to assure fast & easy assembly.

Parts List

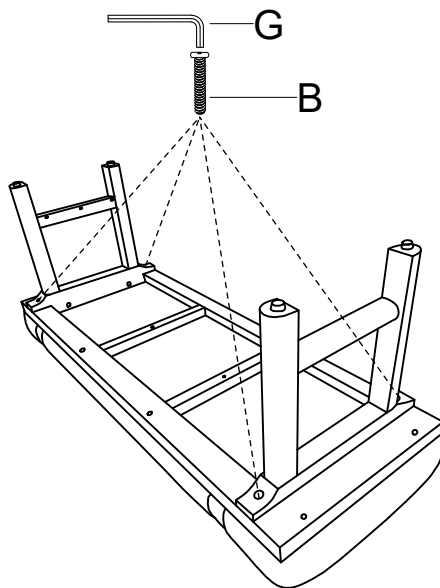
Number	Name	Part	Qty
1	Seat		x1PC
2	Legs		x2PC
3	Wooden Batten		x3PC

Number	Name	Part	Qty
A	M8*60mm		x4+1EXT
B	M8*35mm		x4+1EXT
C	M4*40mm		x6+1EXT
D	Spring Cushion		x4+1EXT
E	Washer		x4+1EXT
F	cross screwdriver		x1PC
G	Allen Wrench		x1PC

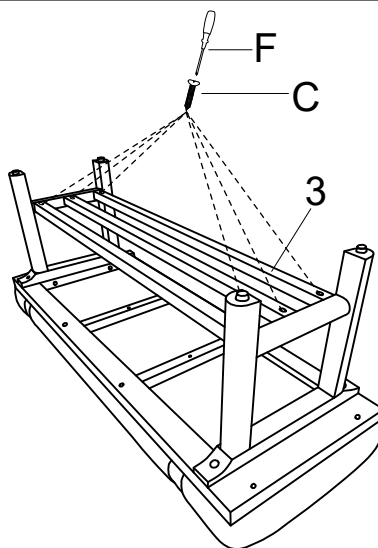
1



2



3



Additional Note About Safety: Bolts may loosen during normal everyday use. They should be periodically inspected and tightened to prevent damage or injury. Always check to be sure that all hardware is kept tightened. Thank you for your purchase.