

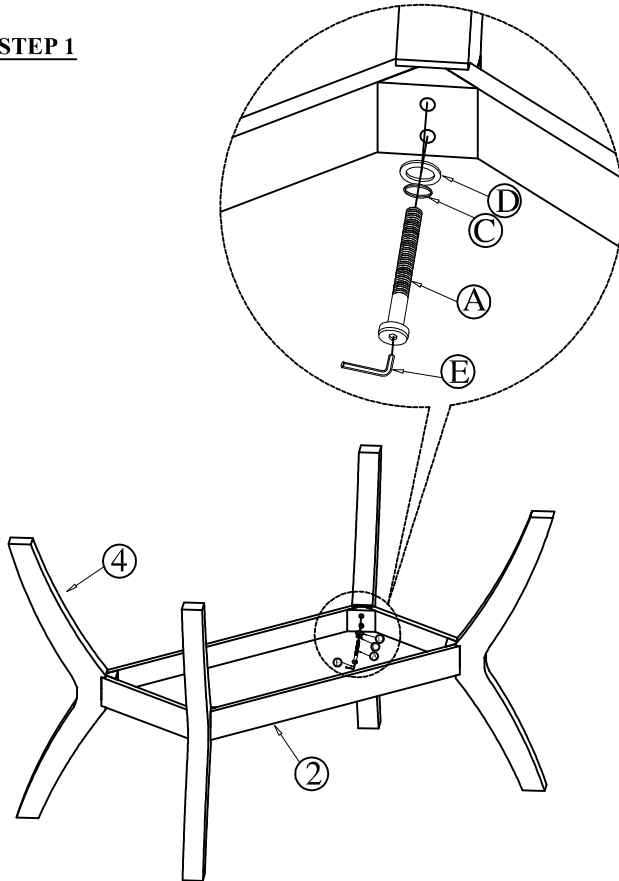
ASSEMBLY INSTRUCTION

DIMENSINONS : 66"L x 40"W x 30"H

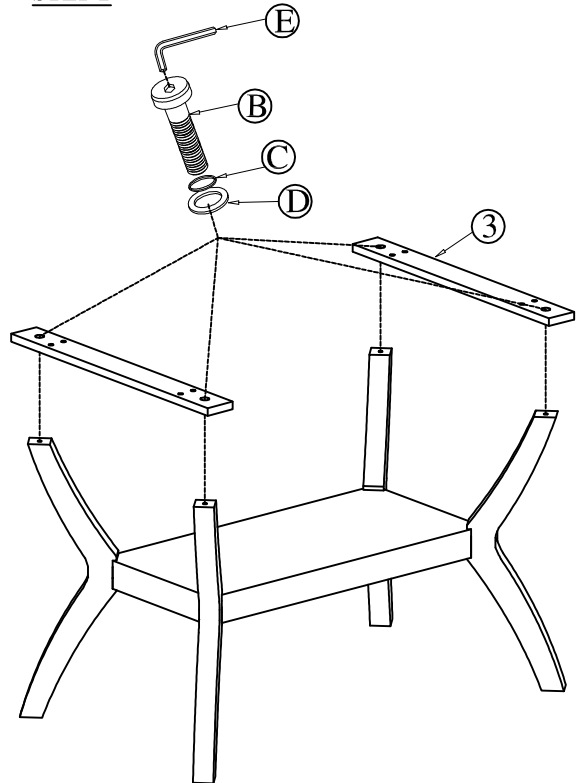
Description : TABLE

No	LIST OF PAST		Q'TY	No	LIST OF HARDWARE		Q'TY
1	TABLE TOP		1pc	A	LONG BOLT		Ø5/16" x 75mm 8pcs
2	TABLE BASE		1pc	B	SHORT BOLT		Ø5/16" x 38mm 12pcs
3	STRETCHER		2pcs	C	LOCK WASHER		Ø5/16" 20pcs
4	TABLE LEG		4pcs	D	WASHER		Ø5/16" x 19 x 2 20pcs
				E	ALLEN KEY		4 mm 1pc

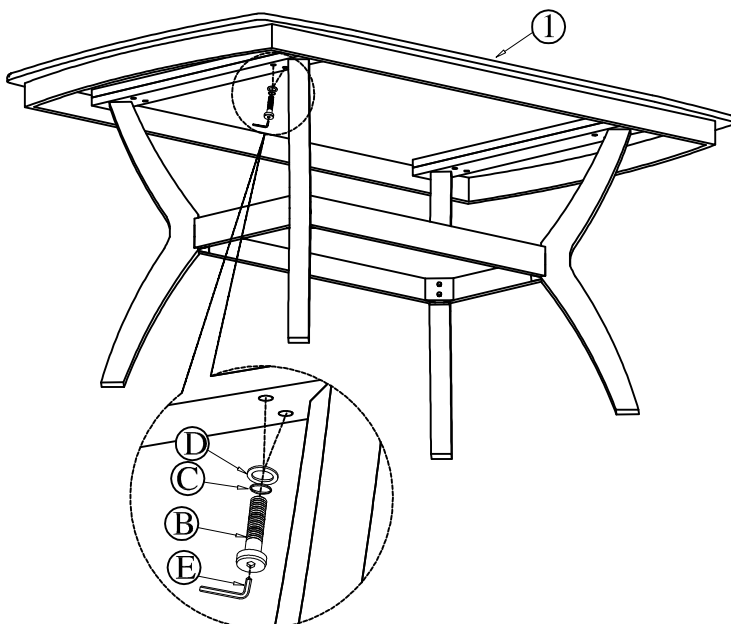
STEP 1



STEP 2



STEP 3



STEP 4

