

# Model : Justin Queen Bed

Thank you for purchasing our product!

Before you start , here is some helpful advice :

1. We suggest you spend a short time reading through this leaflet and then follow the simple step by step instructions.
2. Owing to the size and weight of the product, we recommend that is assembled by two adults, on a carpeted or padded area, in the room that it is intended for . Approximate assembly time: 30 minutes.
3. Please do not use any tools other than those provided or recommend in these instrustion.
4. Please do not throw away any of the packaging or instructions until you have checked all the components and hardware and the furniture is fully assembled.
5. Assemble all components loosely until advised to tighten. Depending on use it may be necessary to tighten the components from time to time, so please save the tools that have been provided.
6. Please keep all pieces out of reach of small children.



## ASSEMBLY COMPLETED



Please ensure the furniture rests on an even and flat surface. If the product wobbles or feels loose, double-check all bolts and/or screws are properly tightened and secured.



### Keep this handy!

Please retain this instruction manual and any order-related information for future reference.



**2 - Persons  
Recommended**

## Part supplied for assembly



HEADBOARD PANEL  
A 1 PC



HEADBOARD RAIL  
B 1 PC



HEADBOARD LEG LEFT  
C1 1 PCS



HEADBOARD LEG RIGHT  
C2 1 PCS



SIDE RAIL  
D 2 PCS



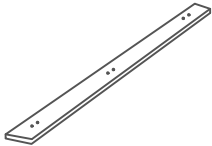
FOOTBOARD LEG LEFT  
E1 1 PCS



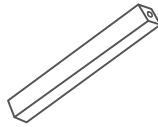
FOOTBOARD LEG RIGHT  
E2 1 PCS



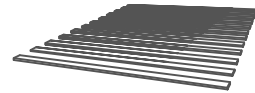
FOOTBOARD  
F 1 PC



CENTER SUPPORT  
G 1 pc

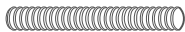


SUPPORT LEGS  
H 3 PCS



LVL  
I 1 PC

## Hardware supplied for assembly



1 JCBB M8X65MM  
12 PCS



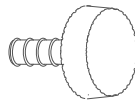
2 BEND WASHER M8  
12 PCS



3 HEX NUT M8  
12 PCS



4 JCBC M6X60MM  
6 PCS



5 ADJUSTER  
3 PCS



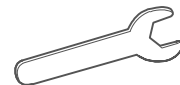
6 CSK SCREW 4 X 32 MM  
26 PCS



7 WOOD DOWEL 10X40  
18 PCS

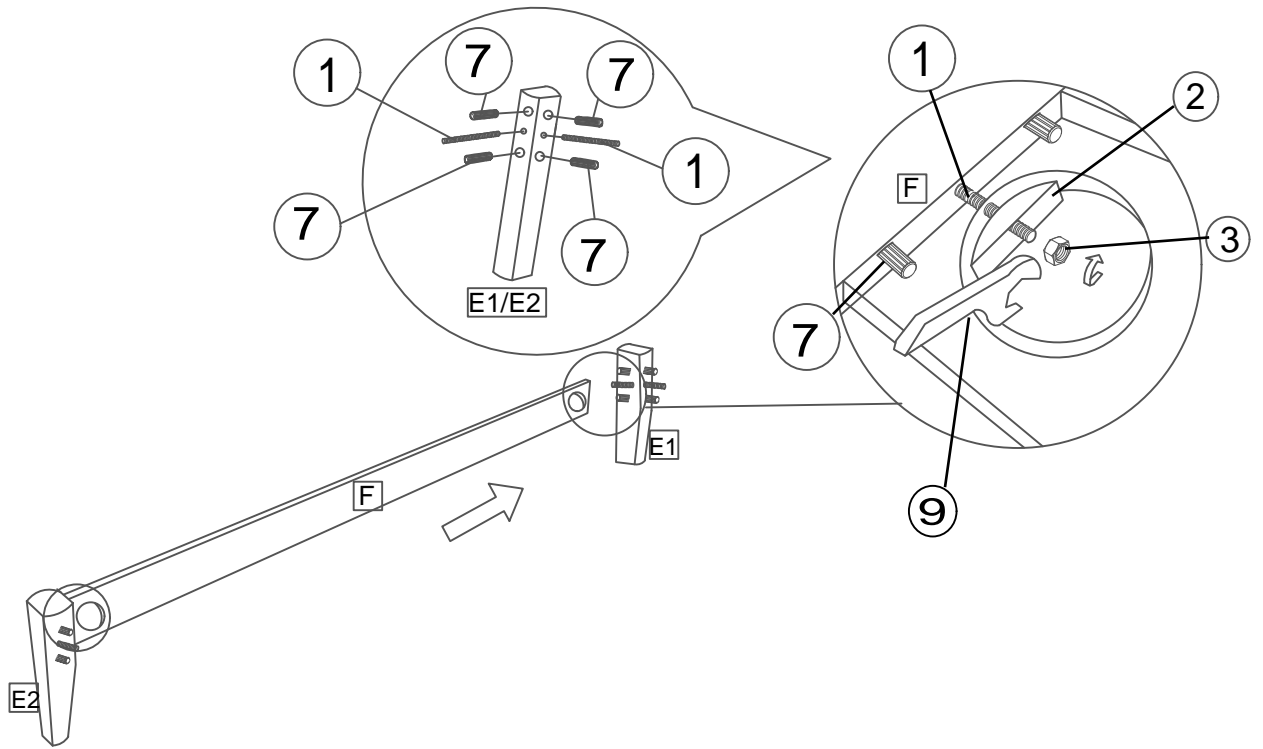


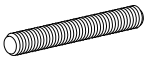




8 ALLEN KEY M4  
1 PC



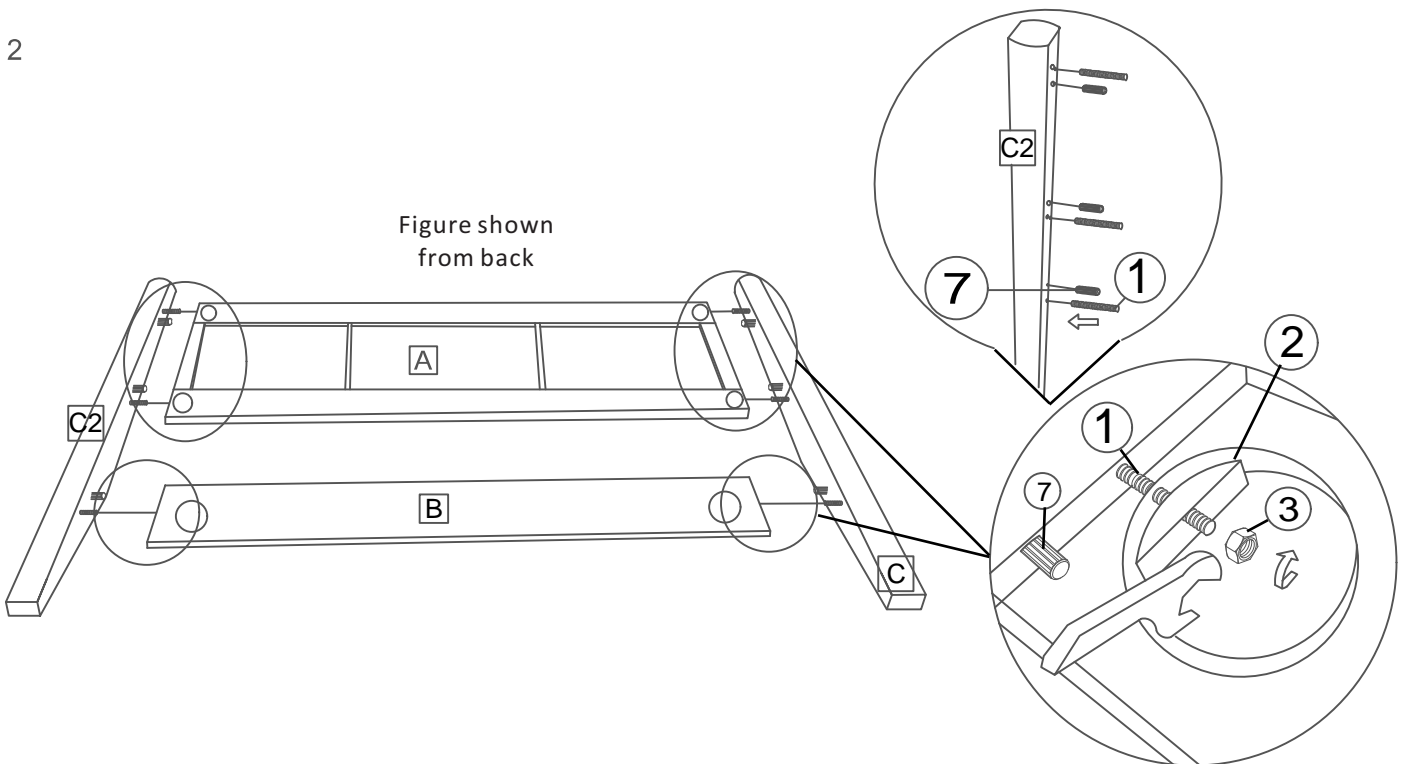
9 SPANNAR M13  
1 PC

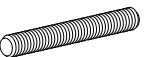


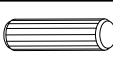

Step 1



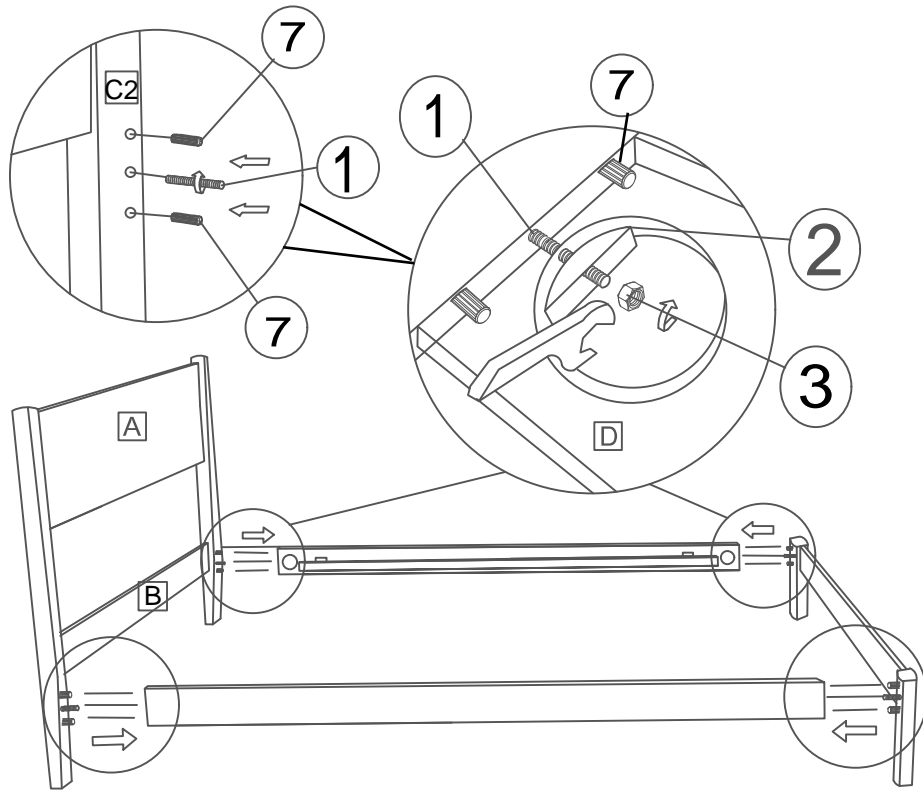
				
① 4 pcs	③ 4 pcs	② 4 pcs	⑦ 8 pcs	⑨ 1 pc

Step 2



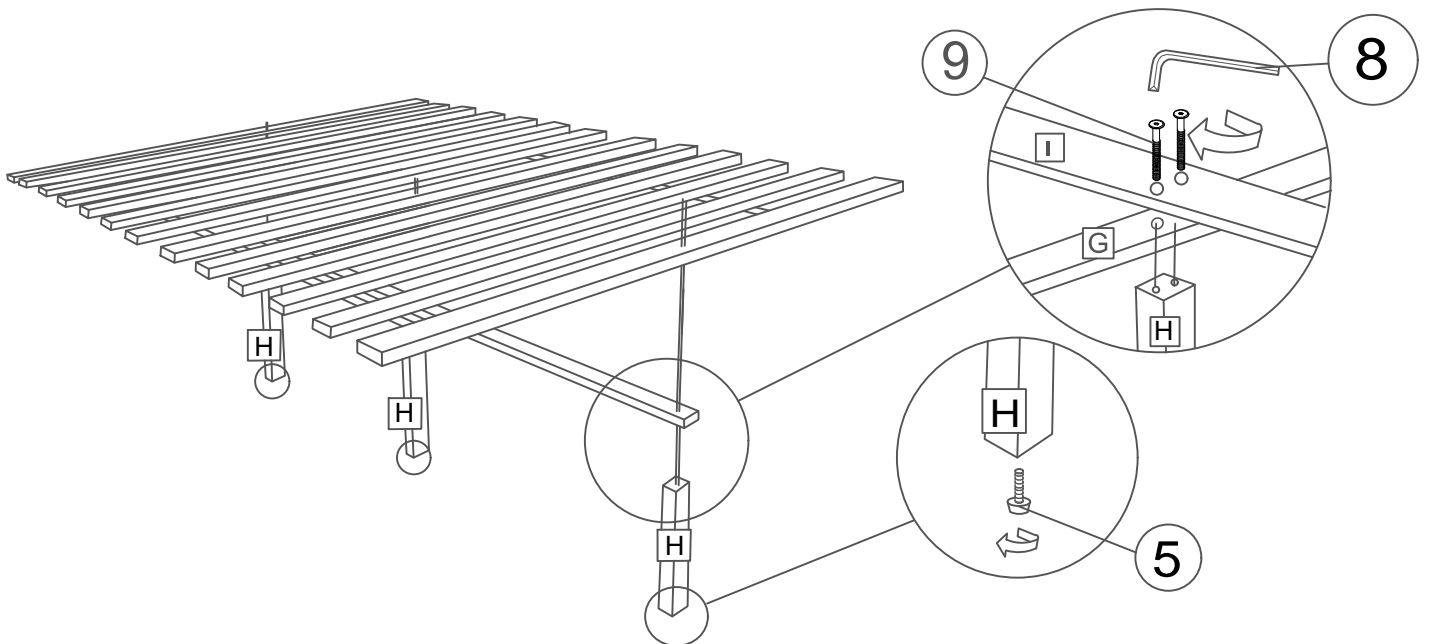
				
① 6 pcs	③ 6 pcs	② 6 pcs	⑦ 6 pcs	⑨ 1 pc

Step 3



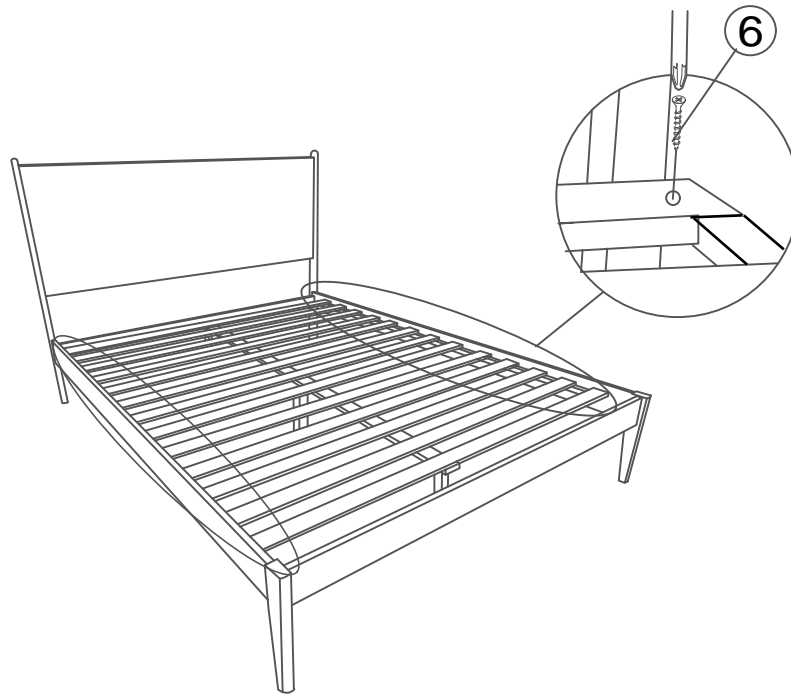
① 2 pcs	③ 2 pcs	② 2 pcs	⑦ 4 pcs	⑨ 1 pc


Step 4



④ 6 pcs	⑤ 3 pcs	⑧ 1 pc

Step 5




<b>6</b> 26 PCS

Step 6



COMPLETED ASSEMBLY