



**Item # NV100CT/CB**  
**Nova Cocktail Table Glass Top & Base**  
**48"x26"x20"H**

**Your furniture purchase is an investment. Furniture can last lifetimes, with a minimal amount of effort. Here are a few tips to properly care for your furniture, ensuring that it looks great year after year.**

**Wood Furniture Maintenance:**

- Always dust, wipe, and clean *with* the grain of the wood.
- Dust with a soft cloth. Dust will scratch the furniture surface if not removed properly.
- Use the same type of polish consistently as interchanging oil-based and wax-based polishes will cause a build-up and result in a foggy or cloudy appearance.
- If a polished surface becomes foggy, rub it with a cloth dipped in a solution of one tablespoon vinegar to one quart of water. Rub softly with the grain until the surface is completely dry.
- Soap and water are not advisable for wood surfaces. Water can penetrate the finish and raise the grain on wood, causing damage.
- Remember to change dusting cloths frequently as dirty cloths may scratch your furniture's surface.

**The Enemies of Wood:**

- Moisture is wood's worst enemy. Liquid spills should be gently wiped up immediately. Coasters should be used under all beverages.
- Do not allow rubber or vinyl materials to lie on the furniture. Chemicals in rubber may leave a stain. Put a strip of felt or leather under accessories that have rubber or vinyl.
- Heat creates a chemical change in the furniture's finish, which results in a white spot. Use protective pads under hot dishes, appliances, etc.
- Sunlight's ultraviolet rays can damage the finish of furniture. Do not place furniture directly against a heater or radiator and do not place in the path of hot streams of air from central heating. This will cause extreme localized drying of the wood.

**High Gloss Resin Table Maintenance:**

- Resin tabletops have approximately 1/8" of a resin coat on the top face of the table, which will resist ice, water, wine, liquor, food, cleaning fluids, and warm or hot liquids; however, cups, glasses, etc. containing hot liquids should not be left on the table without a coaster for protection.
- Resin tabletops will scratch just the same as any other glossy surface and basic precautions should be taken.
- For lasting shine, the resin table should be waxed with a car wax that does not contain silicon. Maintaining this wax build-up will result in a high gloss shine.
- When wiping down the table, a soft, clean rag should be used. Do not use a heavy paper.

**Granite Top Maintenance:**

The surface of the granite on your table has been polished or sealed to create a generally non-porous surface. The stone has many natural characteristics including: veining, hairline cracks, and color variations - which make up the stone's beauty.

To maintain the beauty of your granite:

- Protect surfaces from scratching, staining and etching by:
  - \* Keeping them free of debris or sharp objects
  - \* Wiping up spills immediately
  - \* Avoiding contact with chemicals (particularly acid-based materials)
- Clean with pH neutral products or those especially formulated for use on stone.
- It is not recommended to use a water-based solvent for dark granite as it will remove the polish from the surface.

**Caring for the Fabric on Upholstered Furniture:**

- Frequent vacuuming of the entire upholstered area will prevent dust from setting into the fibers.
- Professional cleaning is always recommended for all upholstered pieces.
- Always pre-test a small area of fabric in an inconspicuous area when cleaning before proceeding.
- Do not use cleaning products containing brightening agents.

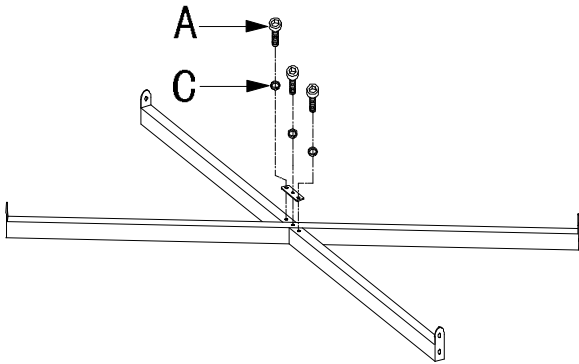
| VERY IMPORTANT!!  |  |  |   |
|---|--|--|---|
| <p><b>NEVER</b><br/>USE GLASS CLEANERS ON FINISHED SURFACES. AMMONIA WILL CHEMICALLY ATTACK THE FINISH.</p>                               | <p>DO NOT WRITE DIRECTLY ON SURFACE </p> <p><b>PREVENT MARKING</b></p>           | <p>DO NOT PLACE DIRECTLY IN SUNLIGHT </p> <p><b>PREVENT FADING</b></p>                 | <p>DO NOT USE PLACEMATS WITH RUBBER BASES </p> <p><b>PREVENT DISCOLORING</b></p>      |
| <p><b>NEVER</b><br/>ALLOW LIQUIDS OF ANY KIND TO LINGER ON SURFACES. ABSORPTION CAUSES THE WOOD TO WARP AND THE FINISH TO DELAMINATE.</p> | <p>DO NOT USE COMMERCIAL POLISHES AND WAXES </p> <p><b>PREVENT YELLOWING</b></p> | <p>DO NOT PLACE HOT POTS, ETC. ON SURFACE </p> <p><b>PREVENT DAMAGE TO FINISH!</b></p> | <p>REGULATE THE HUMIDITY CONDITIONS AT YOUR HOME </p> <p><b>PREVENT SPLITTING</b></p> |

# NV100CT/CB

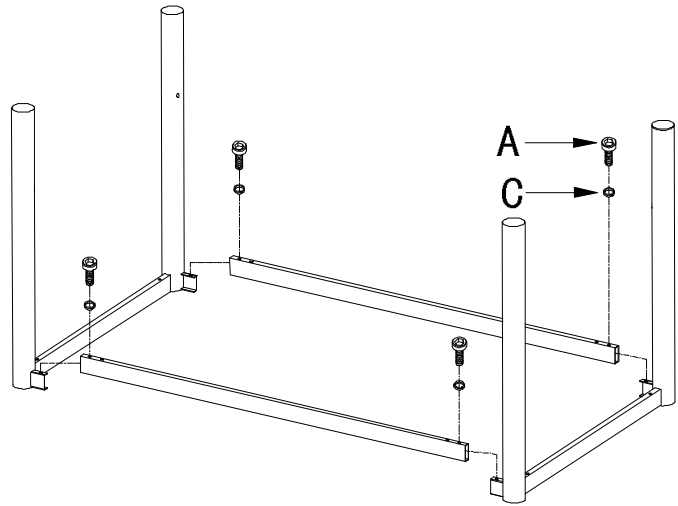
## Assembly Instructions

Do not tighten screws & bolts until the entire unit is completed assembly.

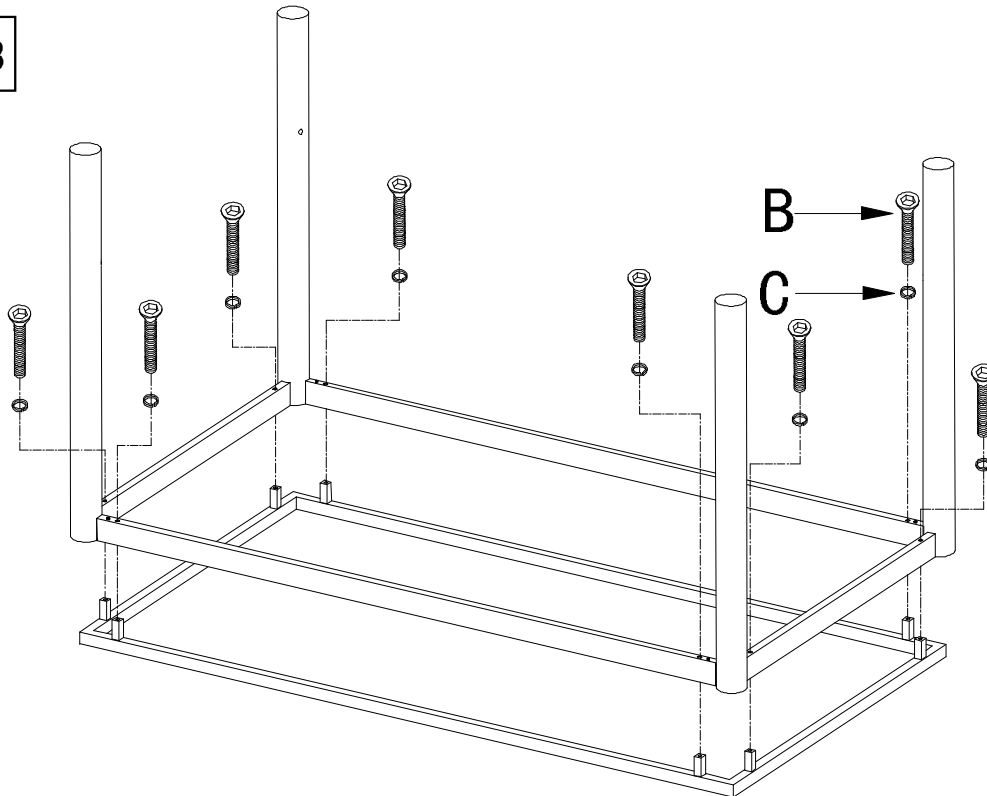
**Step1**



**Step2**



**Step3**



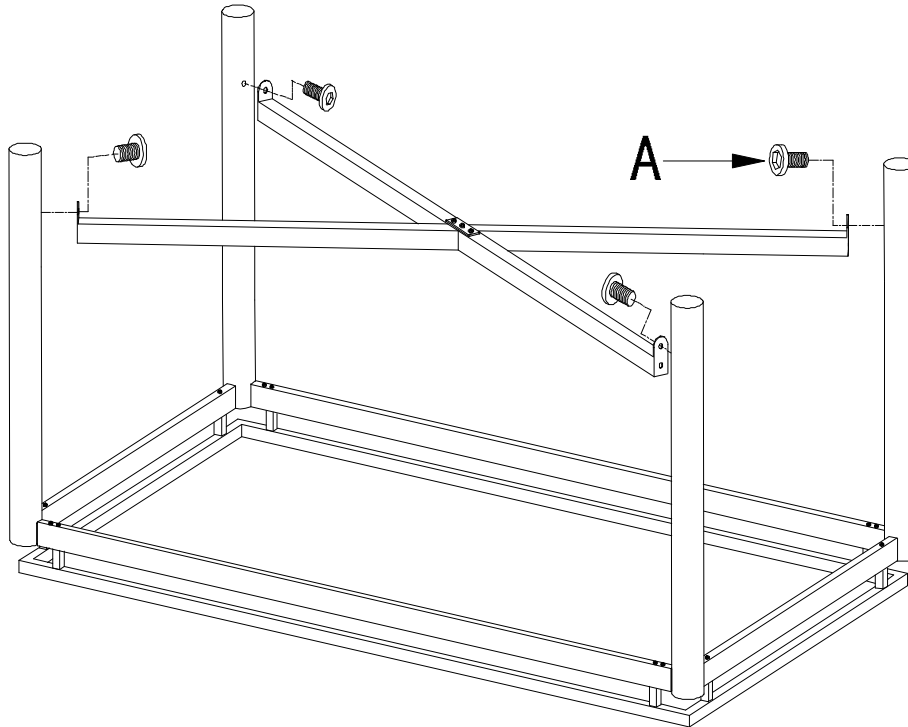
# NV100CT/CB

## Assembly Instructions

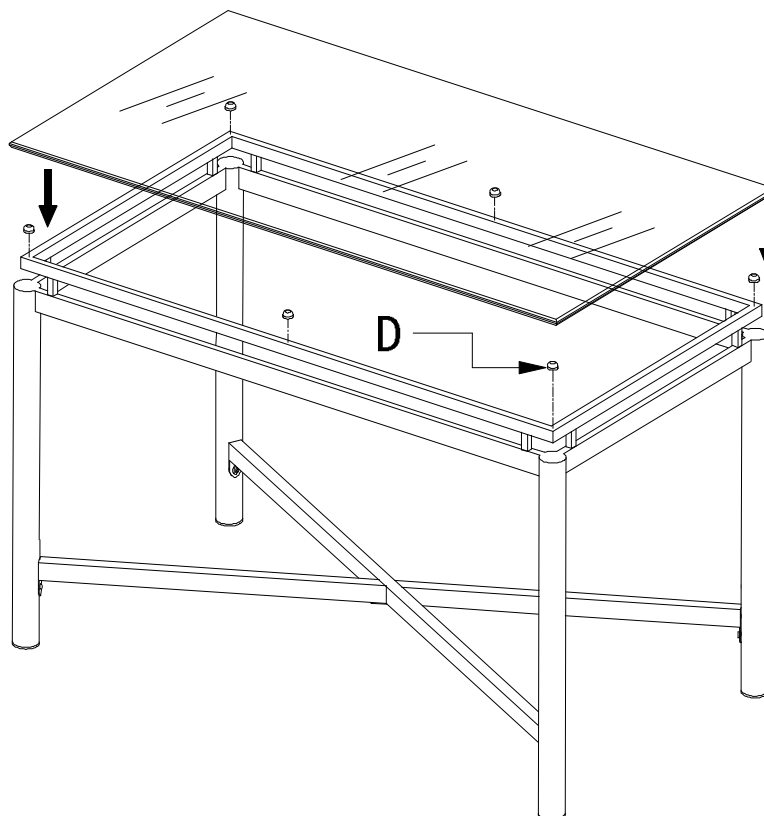
Do not tighten screws & bolts until the entire unit is completed assembly.

---

**Step4**



**Step5**

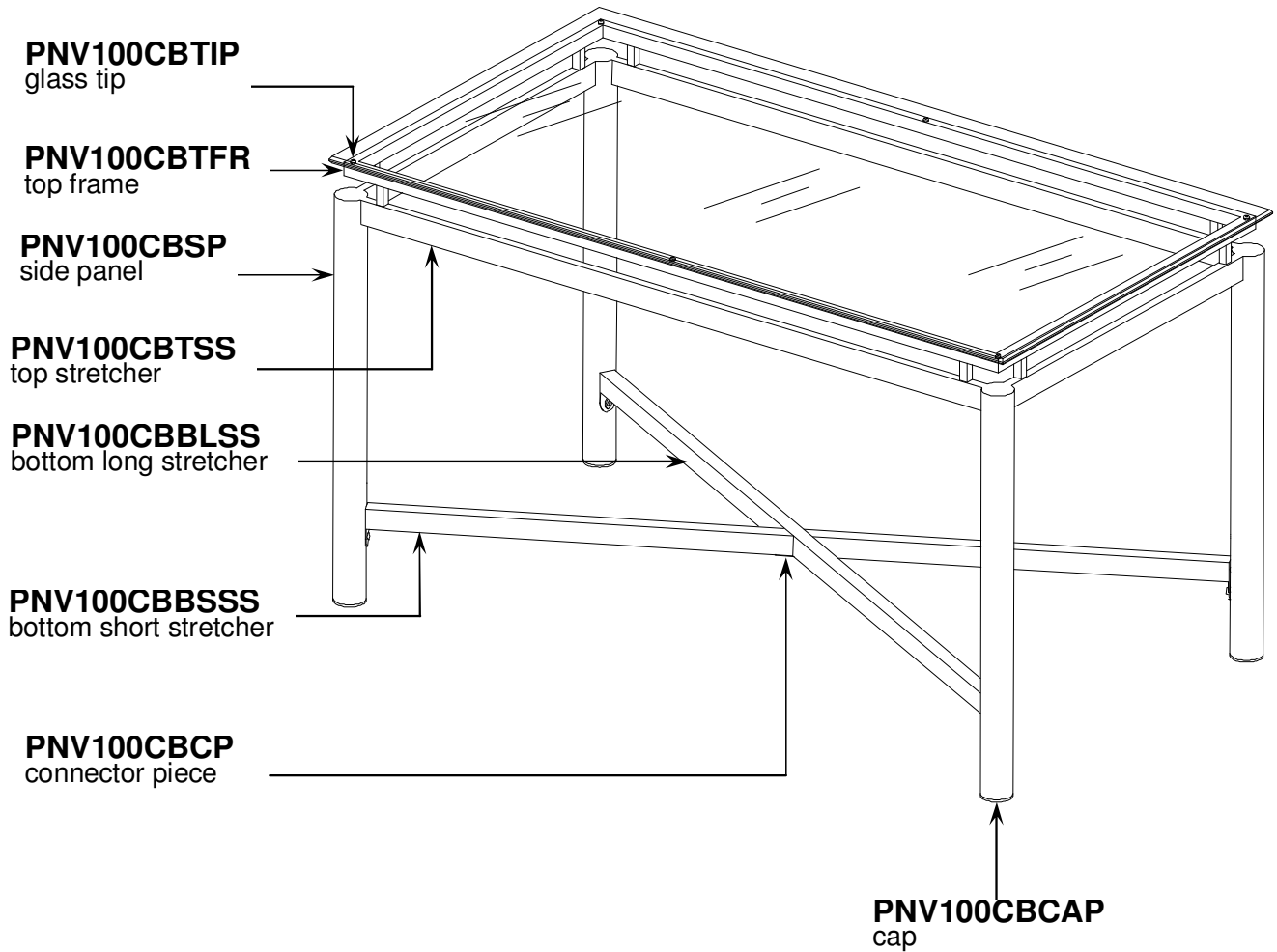


# Hardware Pack # PNV100CBH

|   |  |       |           |
|---|--|-------|-----------|
| A |   | 11PCS | 1/4"X1/2" |
| B |   | 8PCS  | 1/4"X3"   |
| C |   | 15PCS |           |
| D |   | 6PCS  |           |
| E |  | 1PC   |           |

# Parts for NV100CT/CB

## Complete Hardware # PNV100CBH



| PRODUCT DETAILS |   |
|-----------------|---|
| TOP             | CLEAR TEMPERED GLASS (12MM)                 |
| BASE            | METAL                                       |
| COLOR OF METAL  | CHROME                                      |
| PRODUCT SIZE    | 48"X26"X20"H                                |
| CARTON SIZE     | GLASS 51-1/4"X29"X2"<br>BASE 52"X26"X4-1/2" |
| NET WEIGHT      | GLASS 52.1 LBS / BASE 20.7 LBS              |
| GROSS WEIGHT    | GLASS 55.9 LBS / BASE 25.5LBS               |
| CU. FT.         | GLASS 1.66' / BASE 3.4'                     |

**MADE IN TAIWAN**