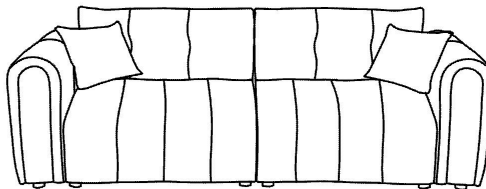
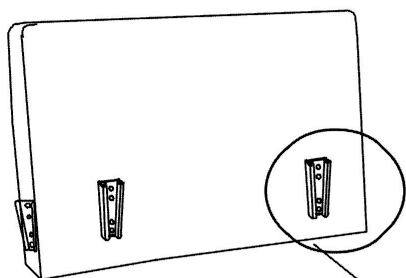


# Assembly Tips

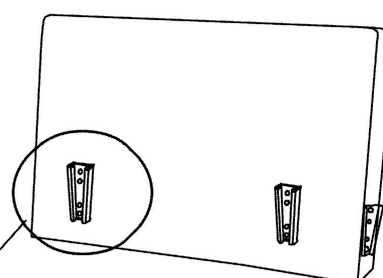


Before assembly, please check the letters marked on the hardware of the backrest and assemble them in the correct positions.

**FL** Backrest x1

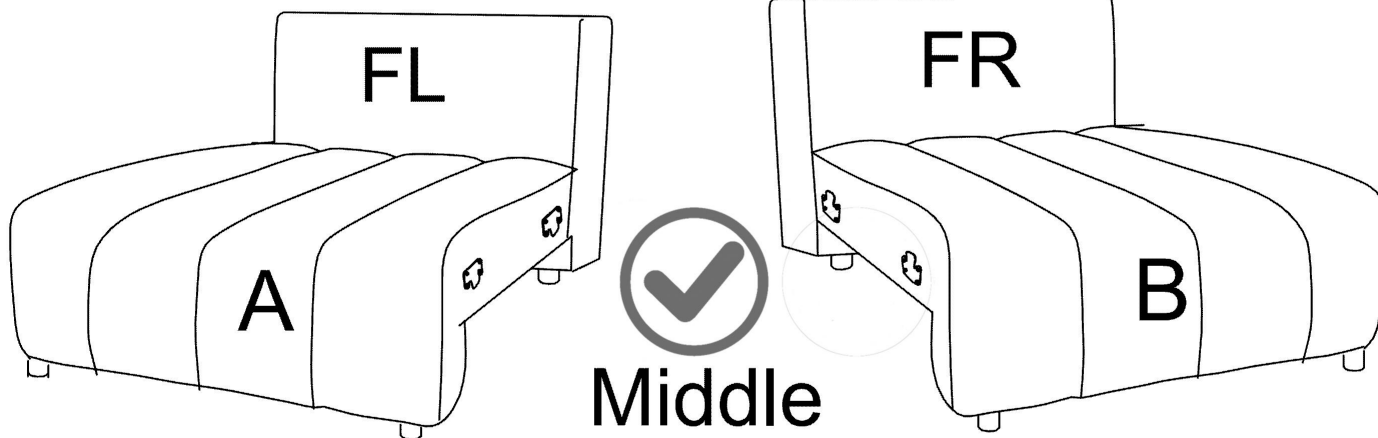


**FR** Backrest x1

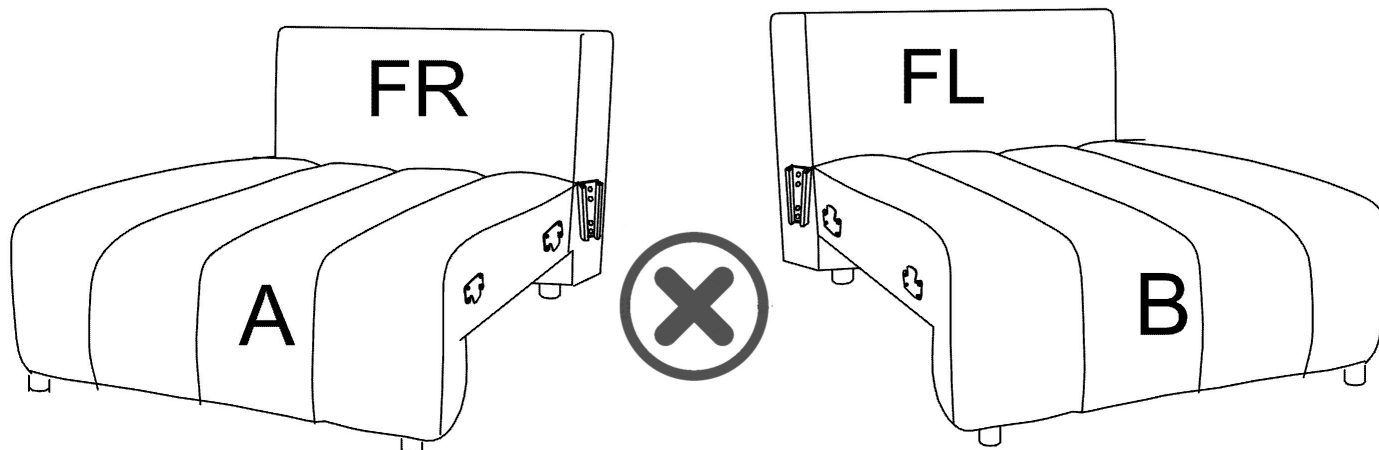


We have labeled the corresponding letters for the accessories right here.

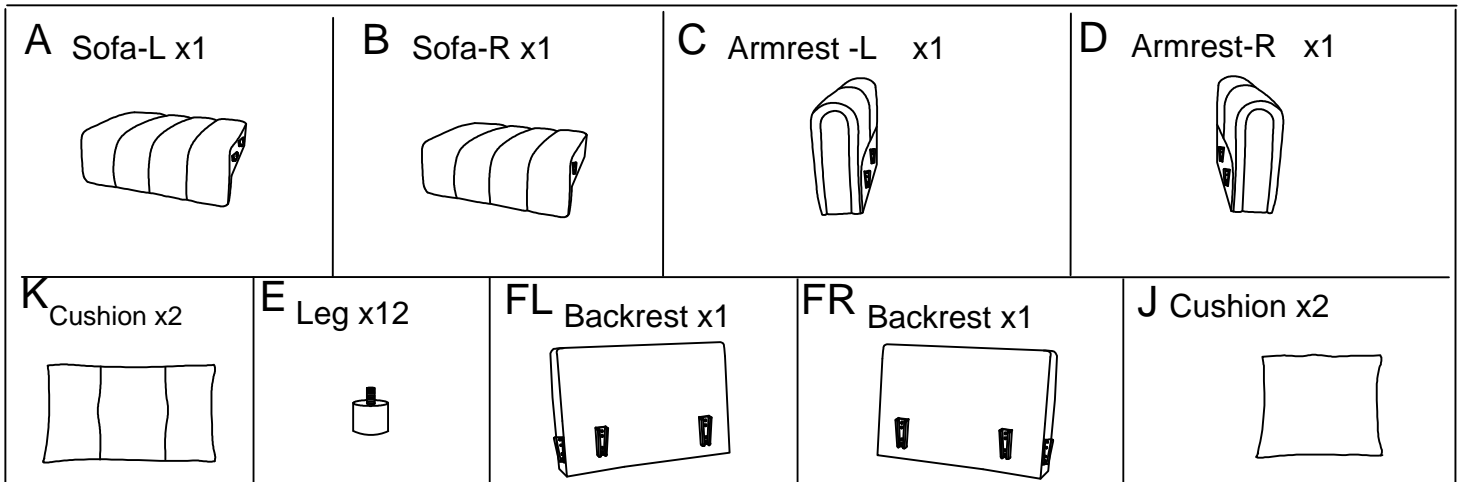
This is how the middle of the sofa looks after the sofa assembled backrest.



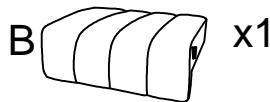
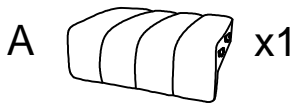
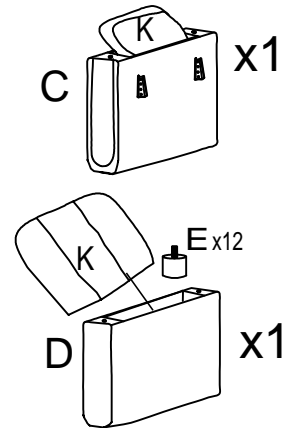
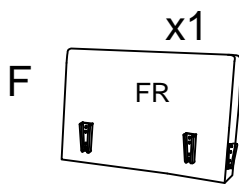
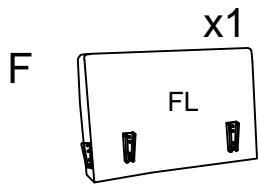
If your assembled item looks like below, please switch the two backrest first, and then assemble the armrests.



# ASSEMBLY INSTRUCTION



Thanks for your purchase. Before the assembly, please follow the instruction to check if all the spare parts and screws are intact.



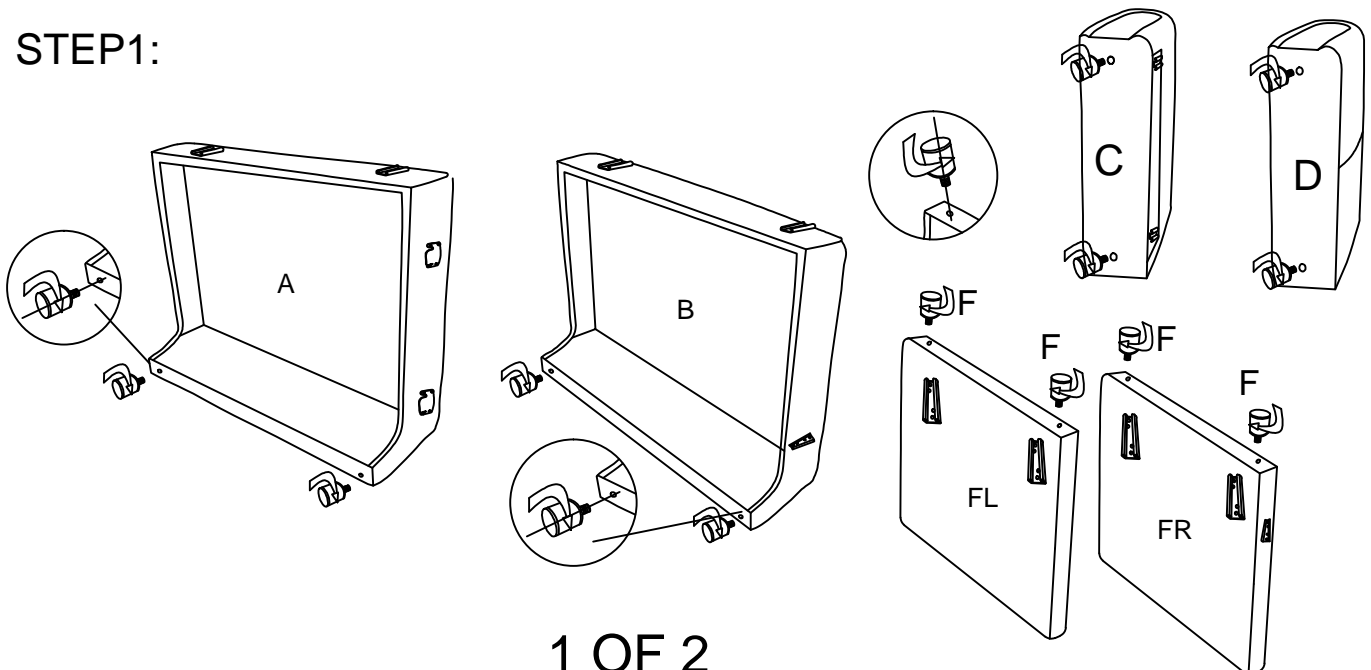
Pls take out all legs and 2 pillows under the armrest before assembling

BOX-1

BOX-2

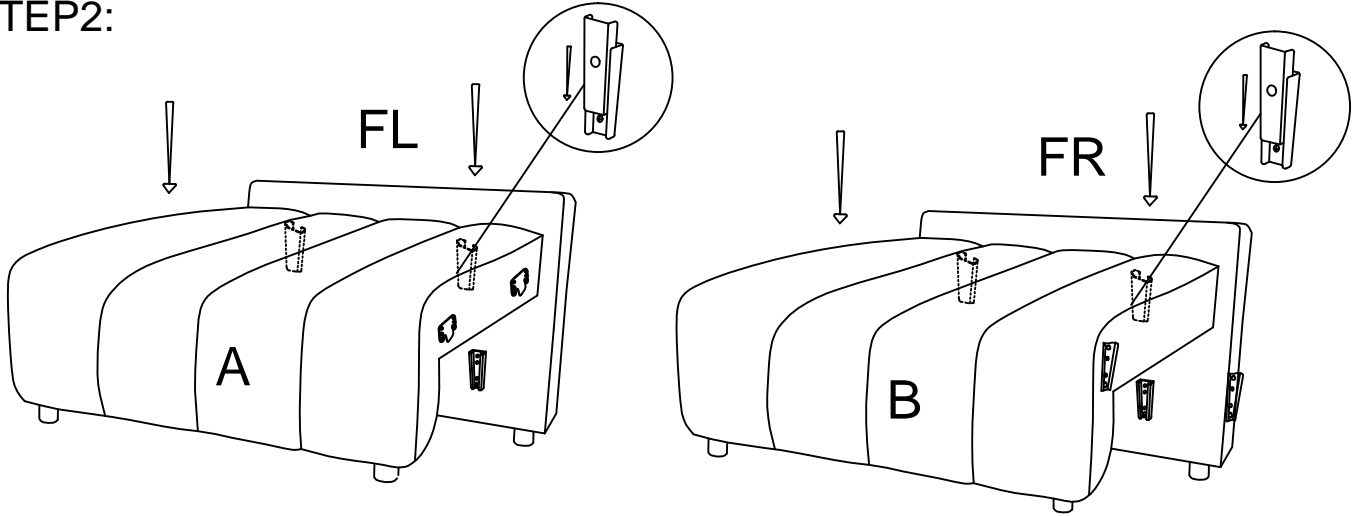
BOX-3

STEP1:



# ASSEMBLY INSTRUCTION

STEP2:



STEP3:

