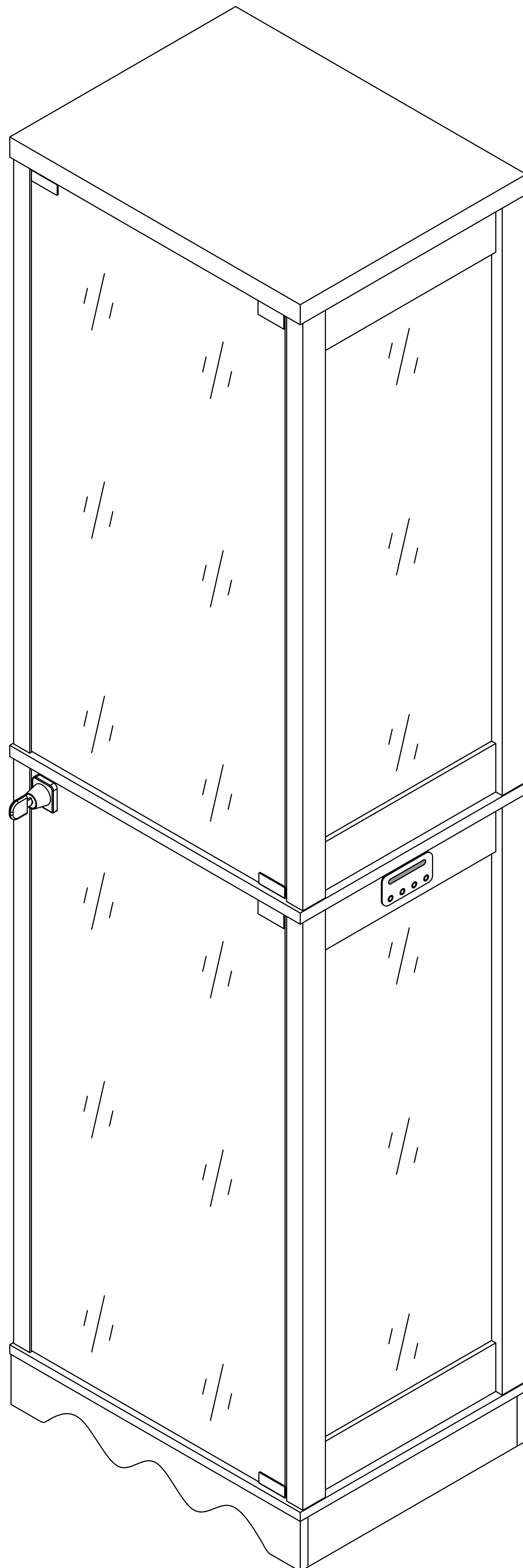
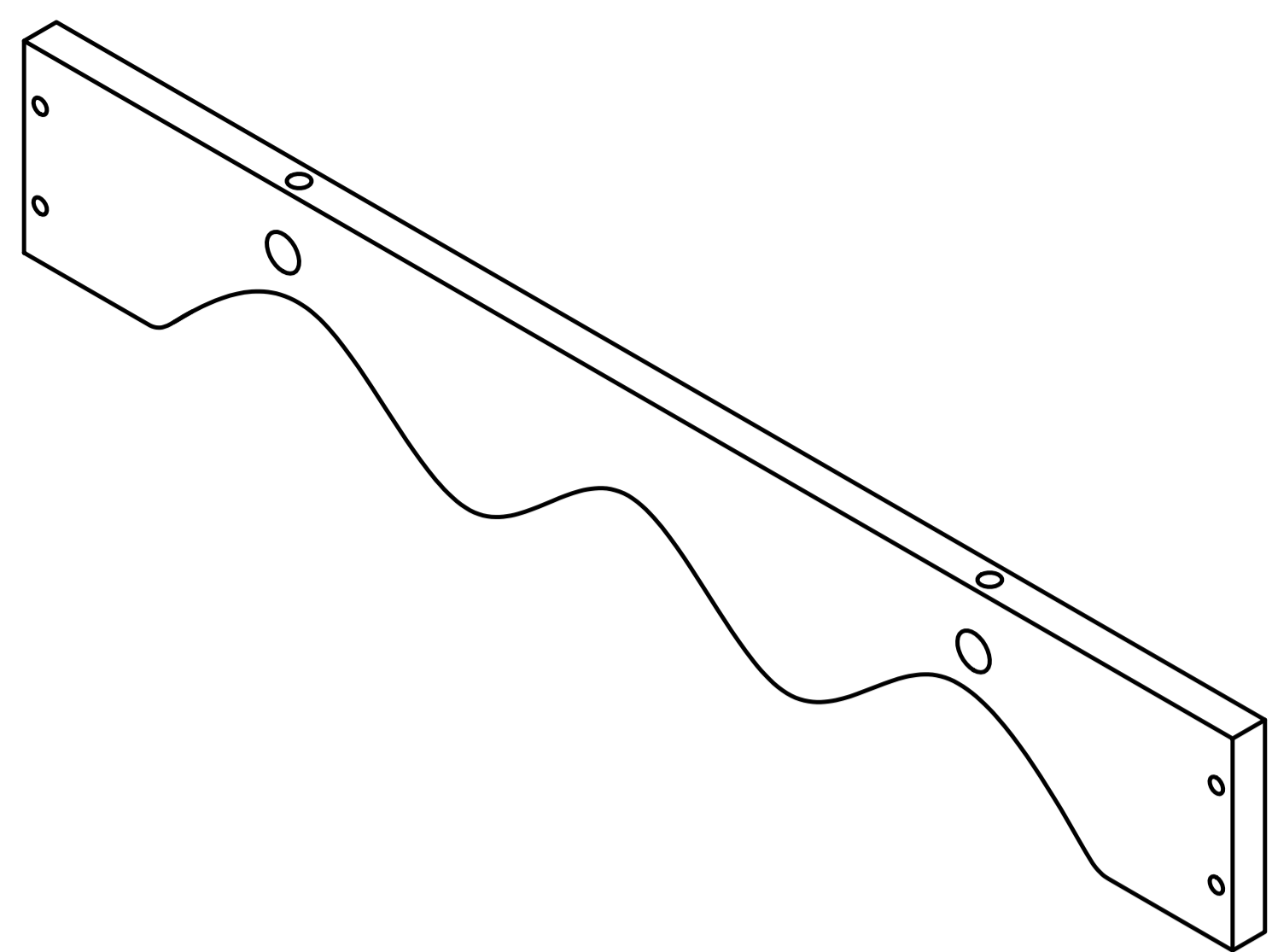
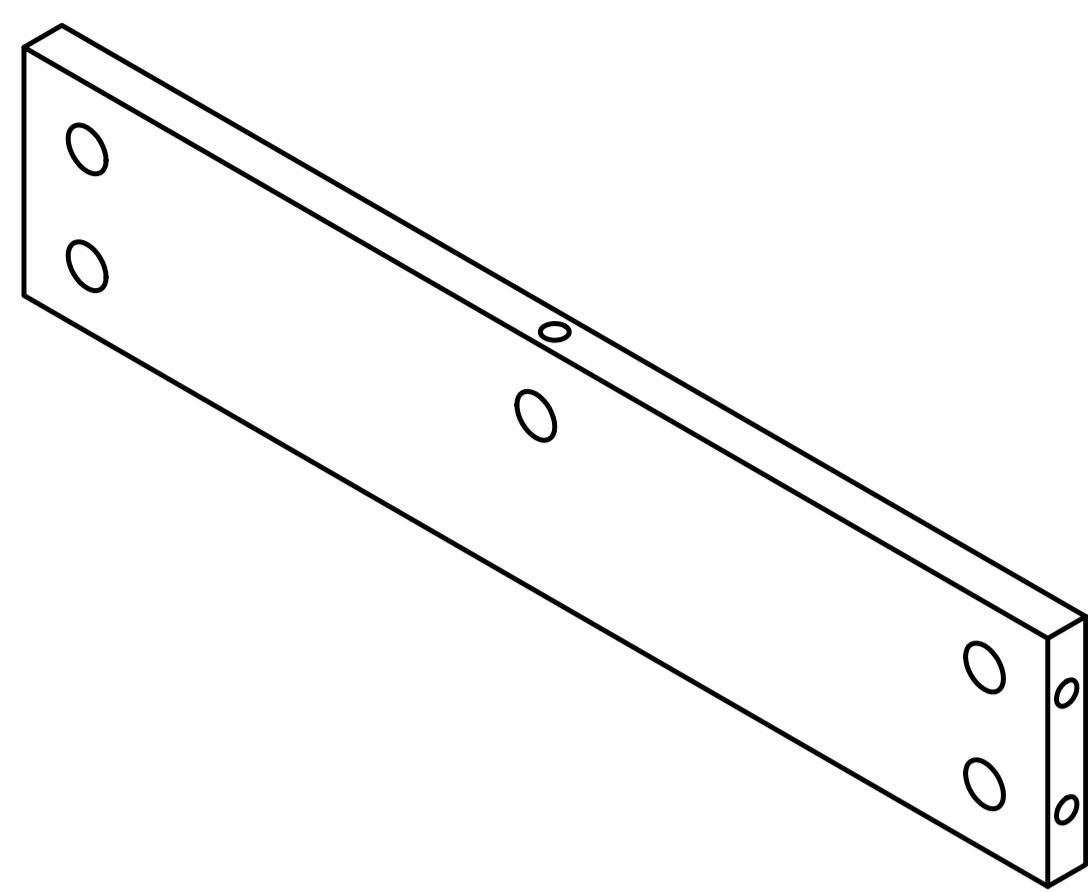


80002 Product Installation Instructions

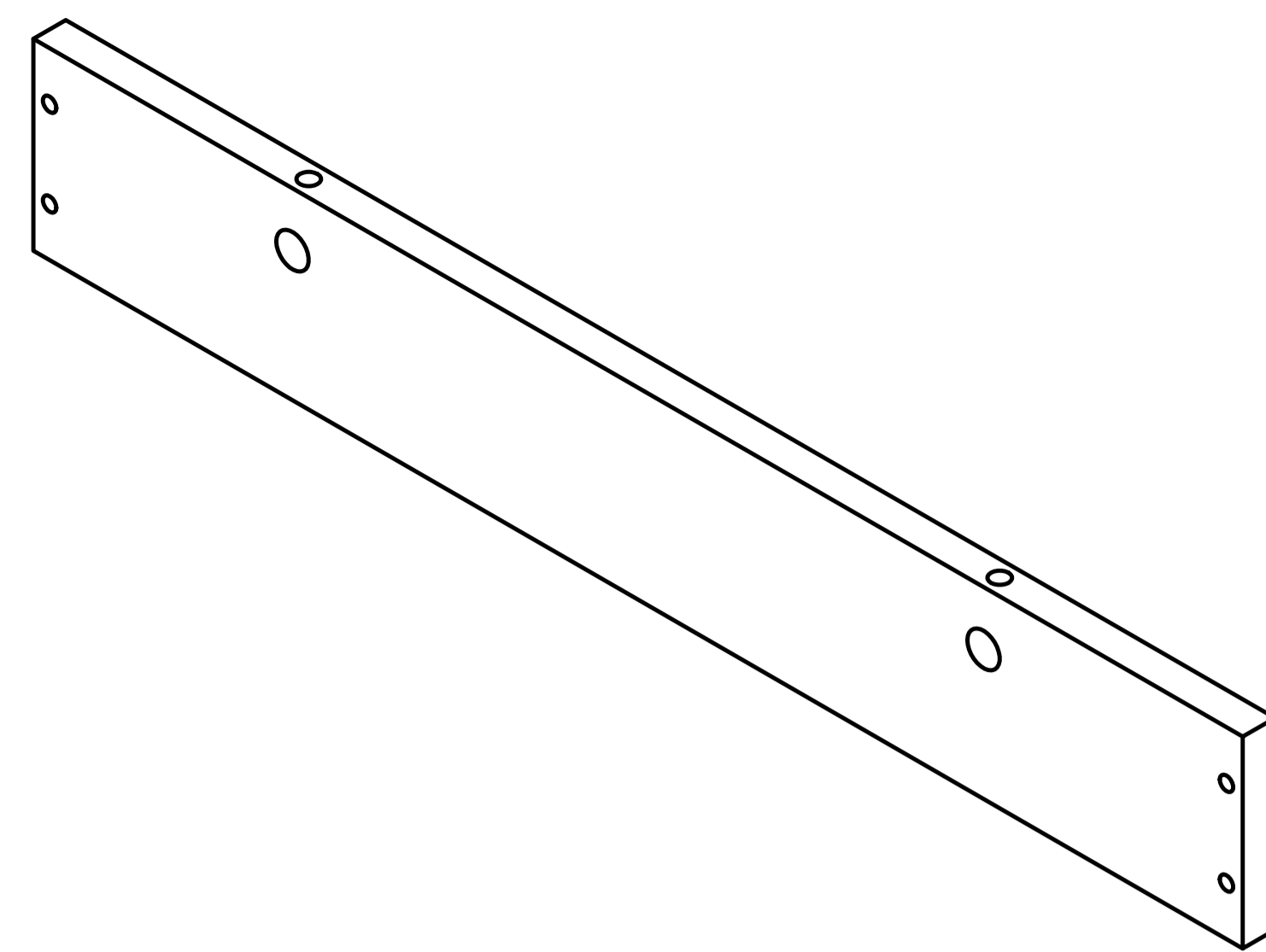




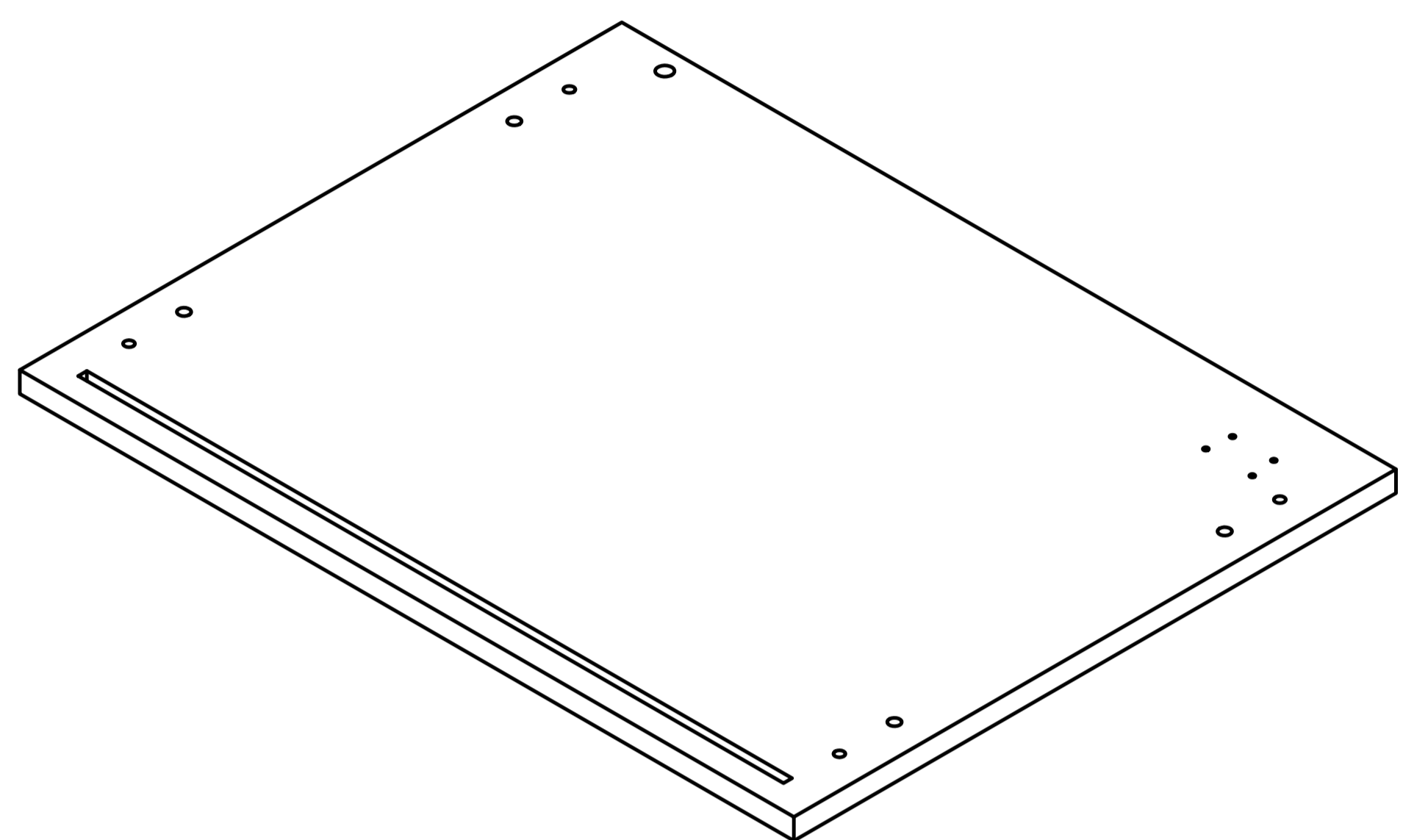
Ax1



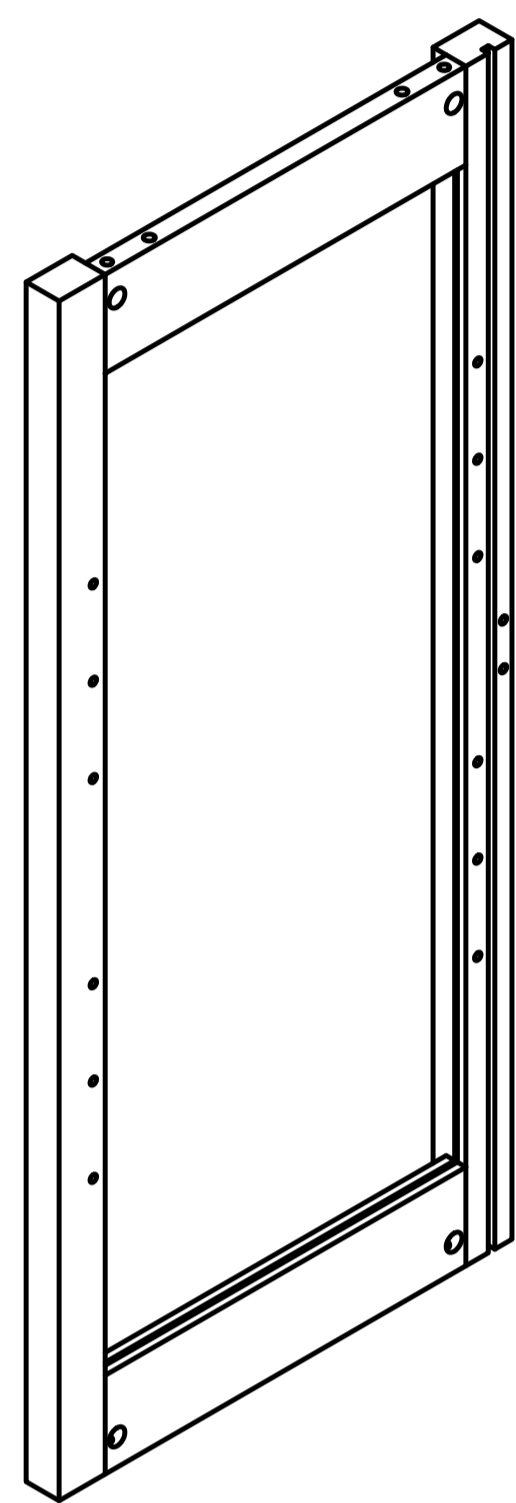
Bx2



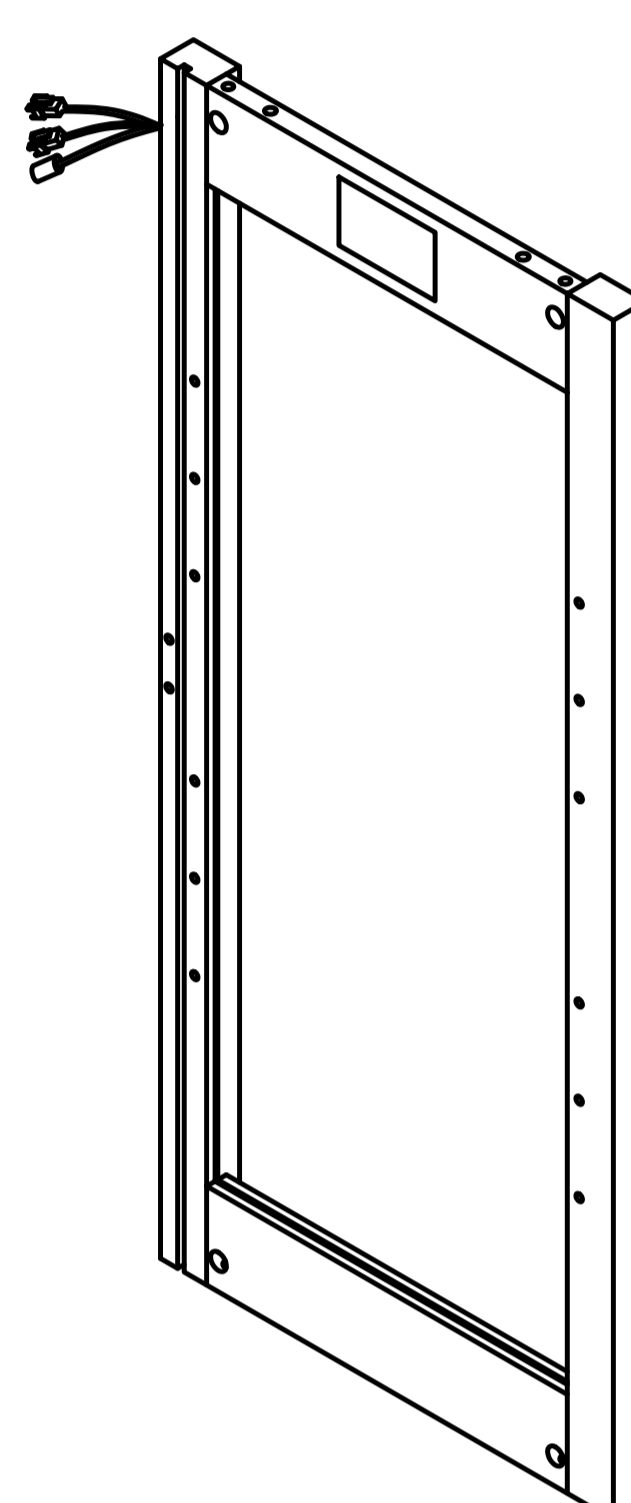
Cx1



Dx1



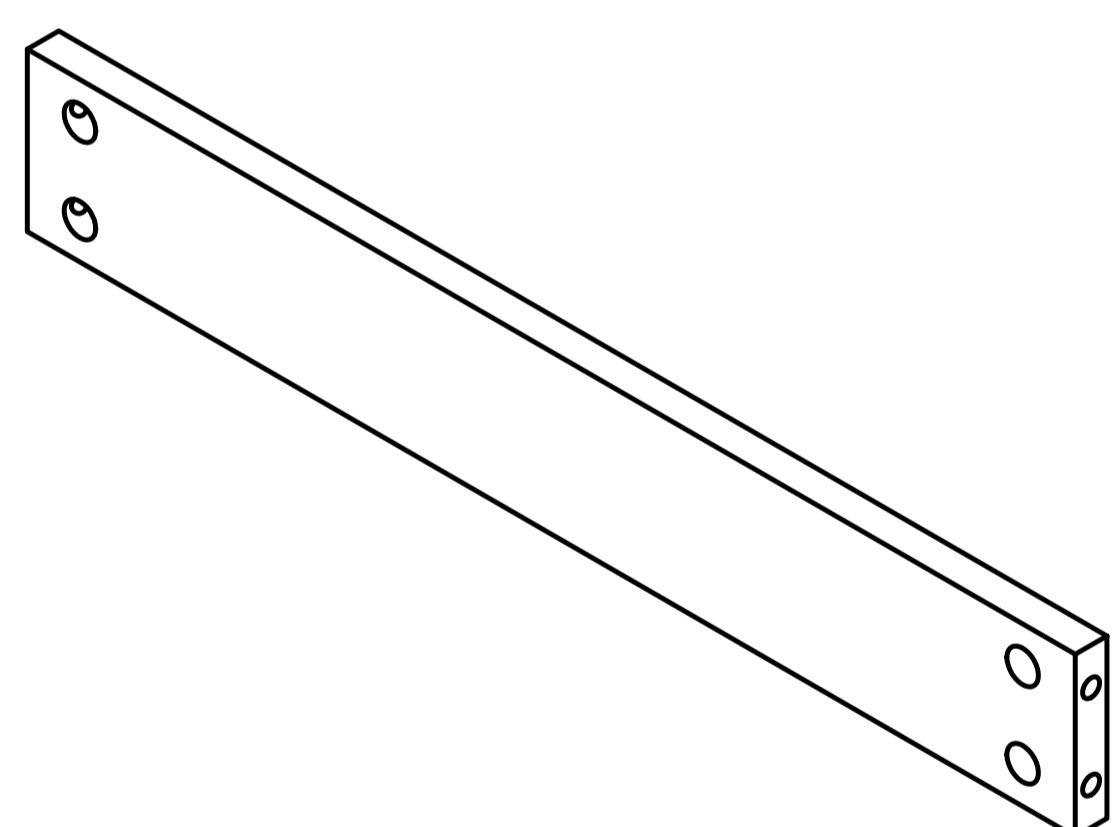
Ex1



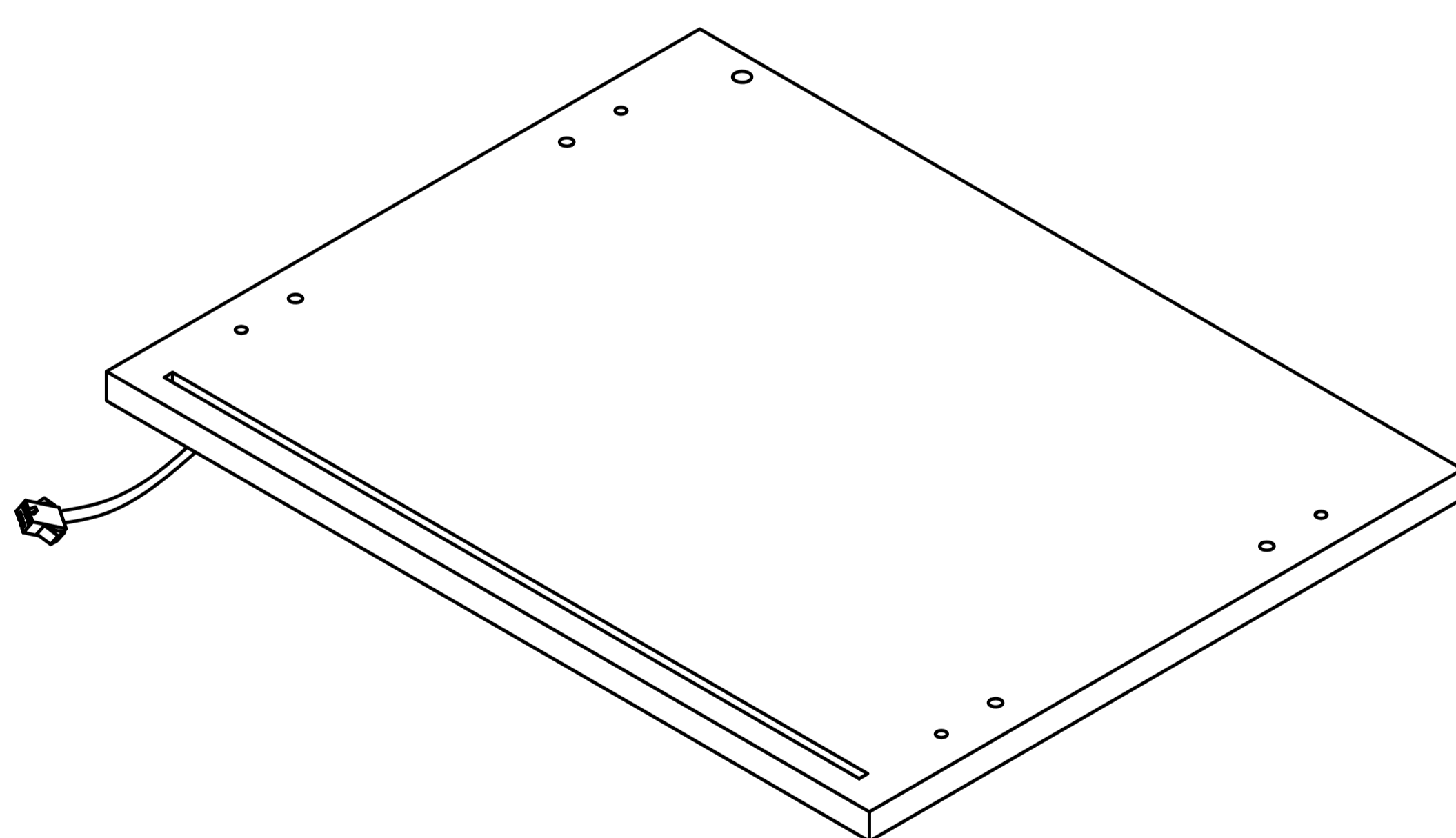
Fx1



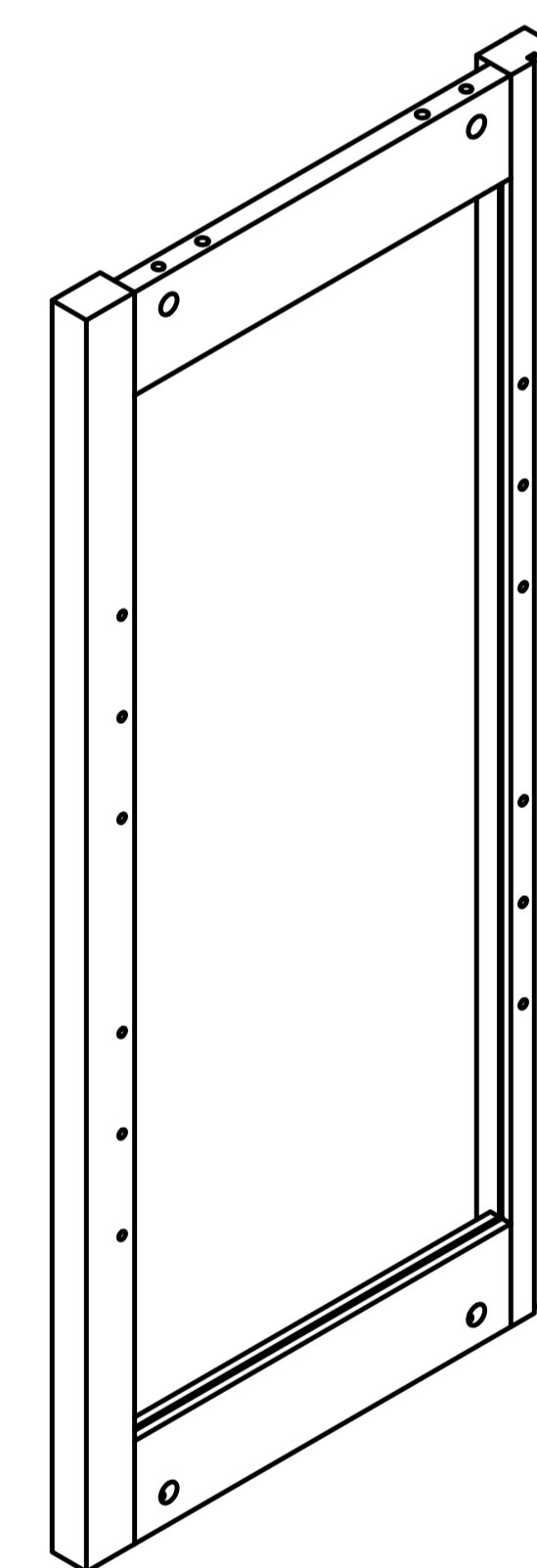
Gx2



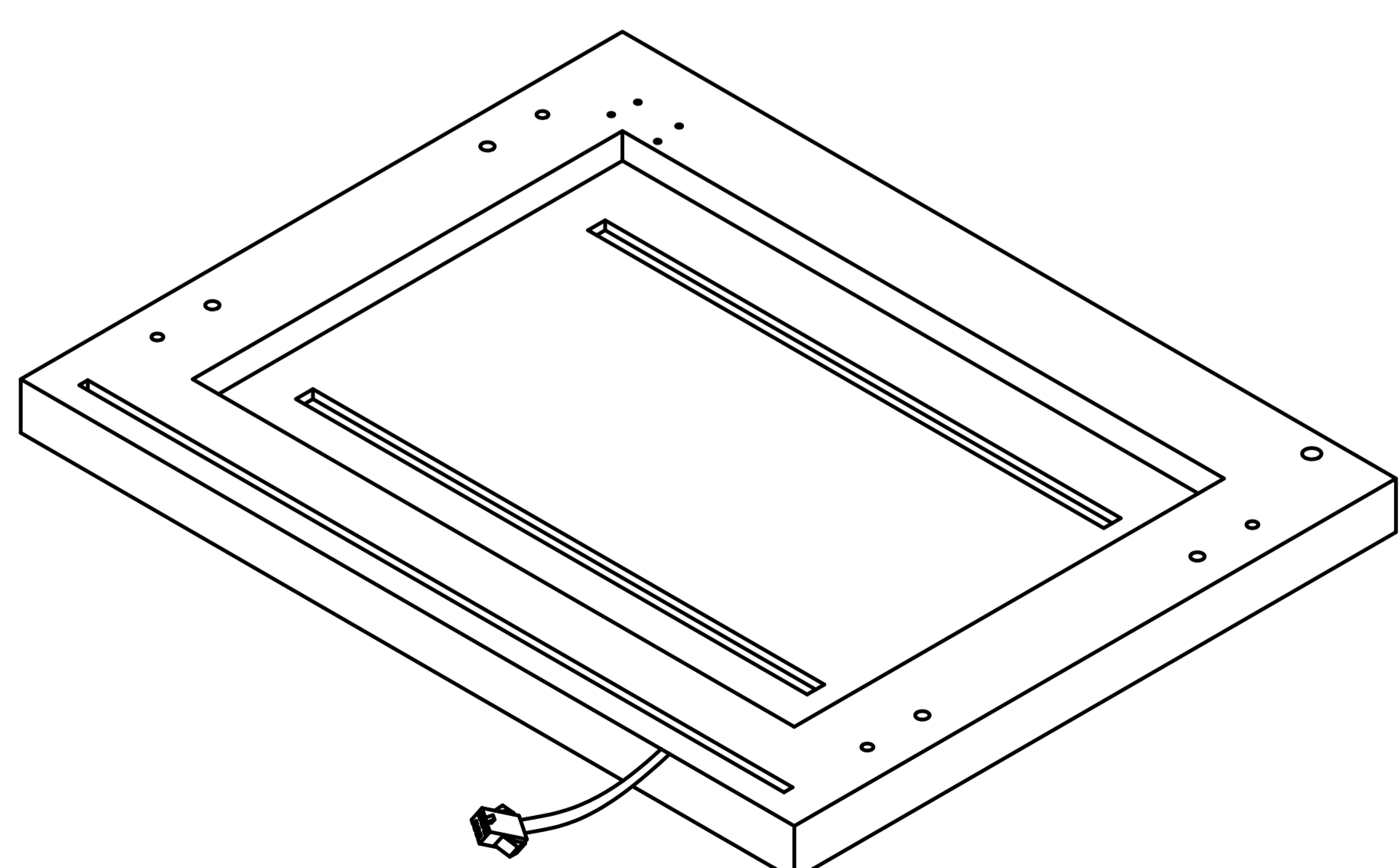
Hx2



Ix1



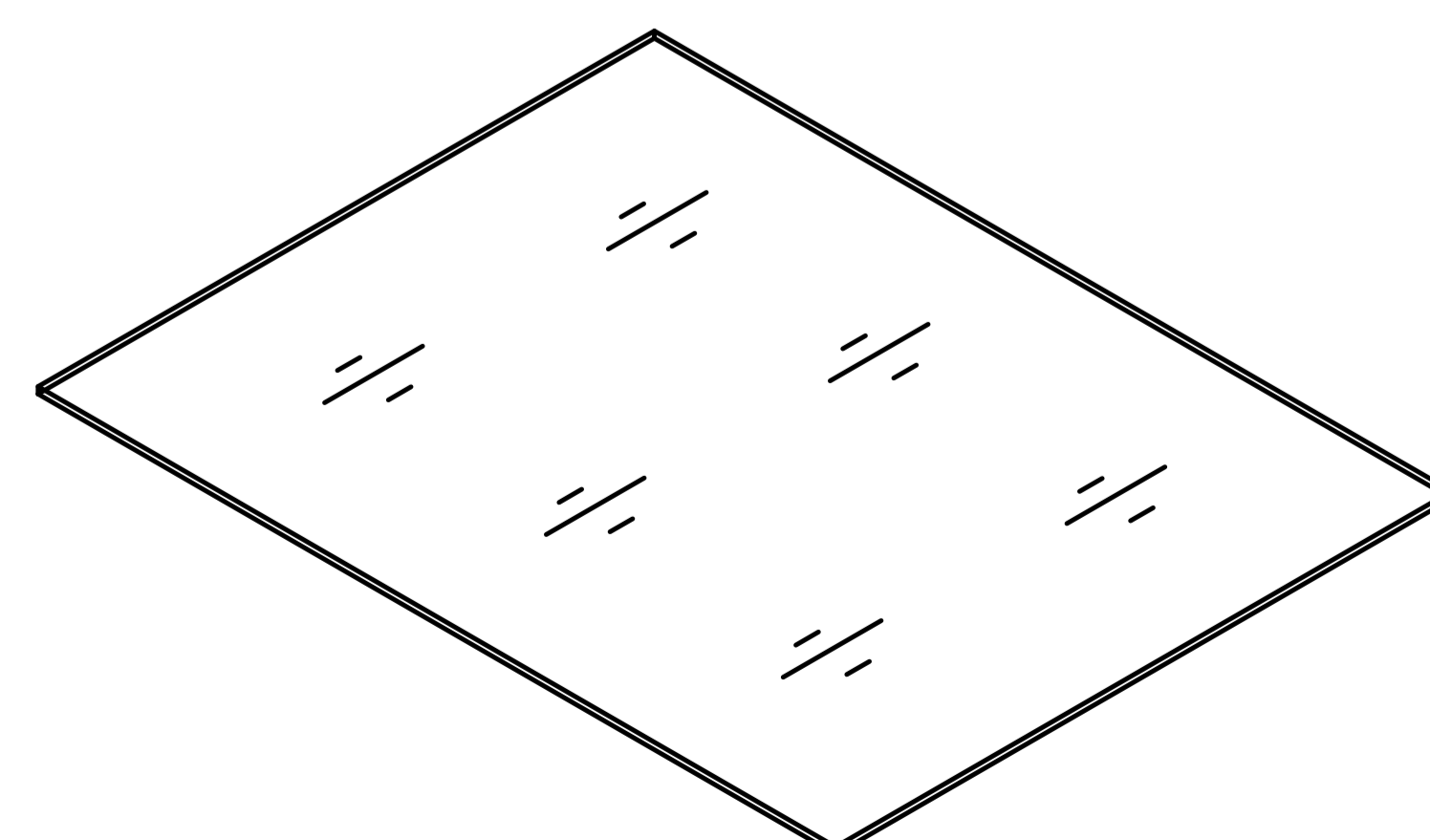
Jx2



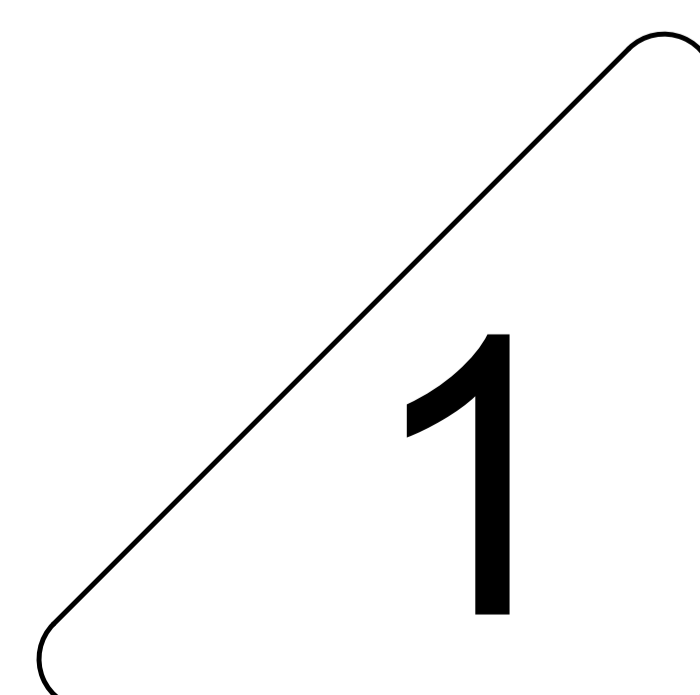
Kx1



Lx2

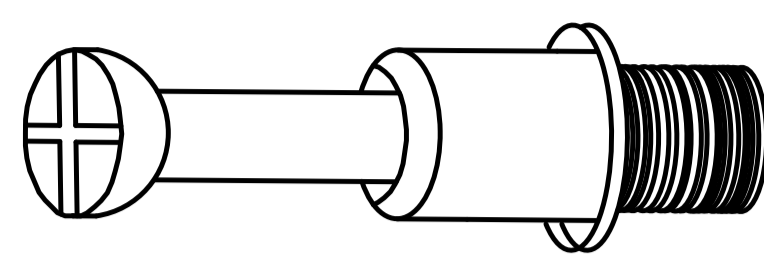
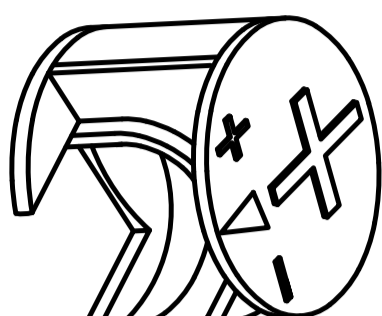
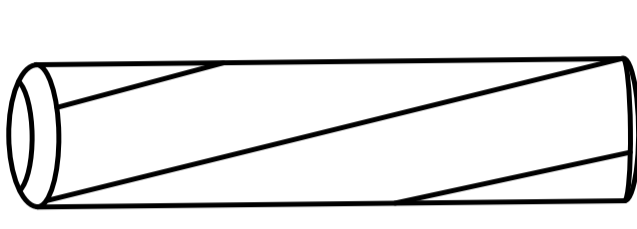

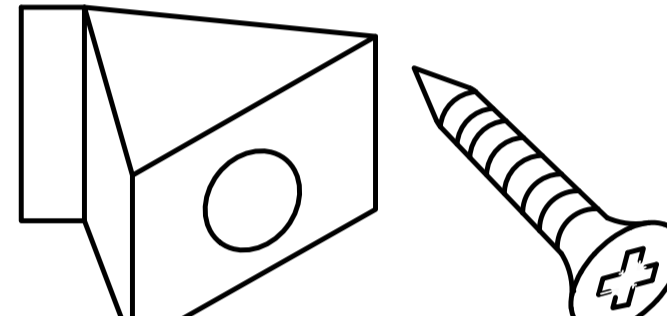
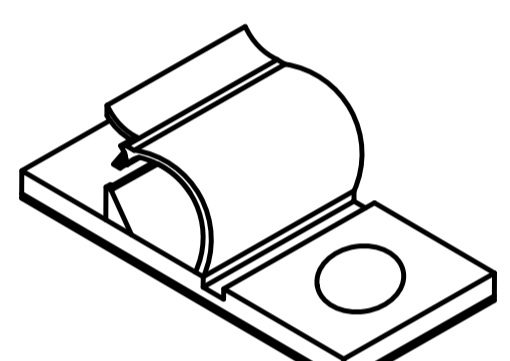
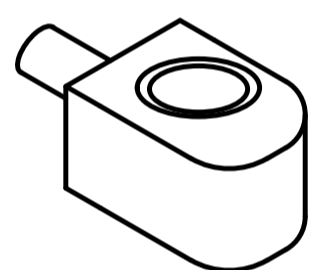
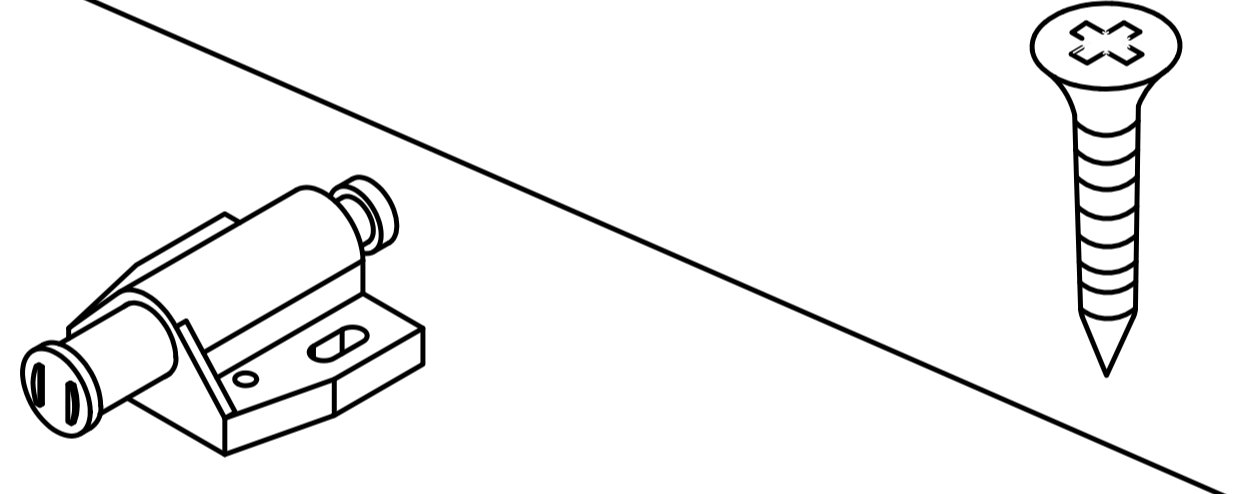
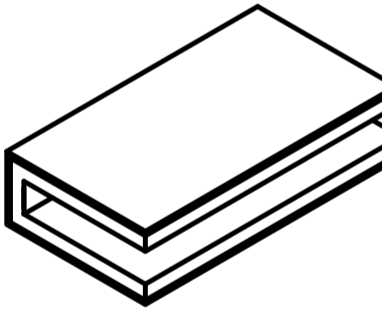
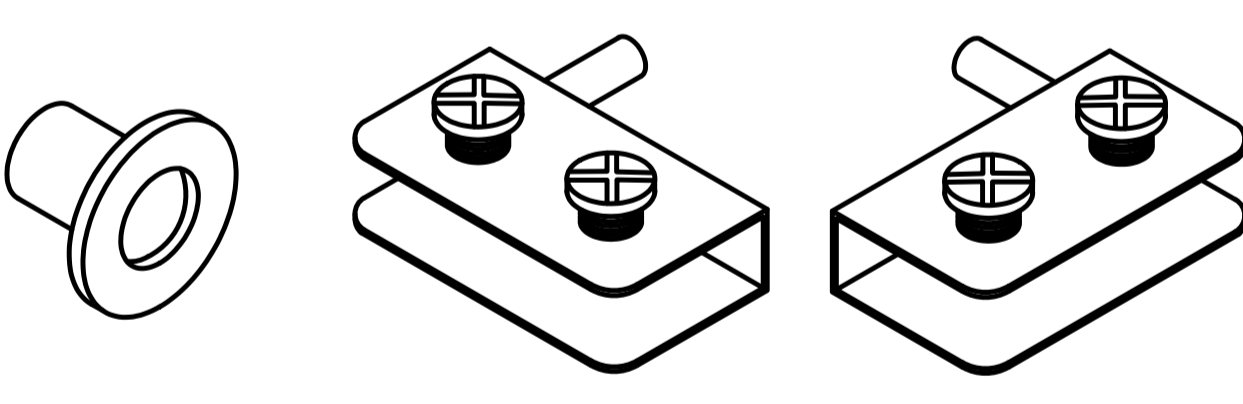
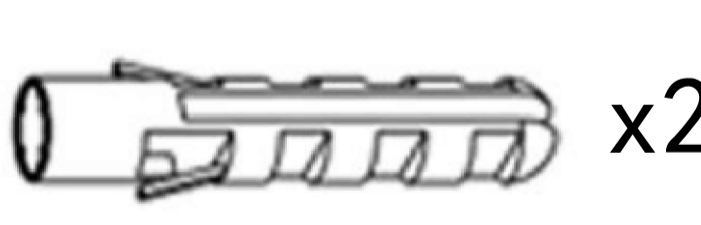
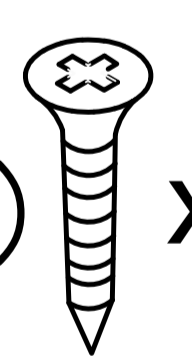
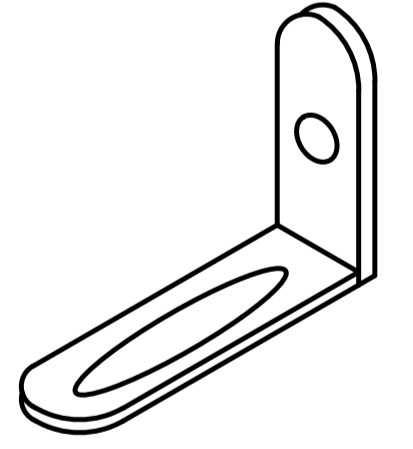
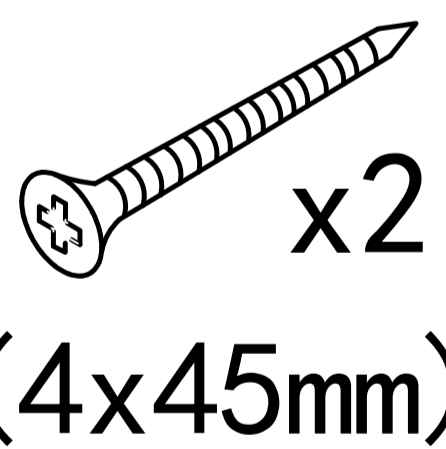

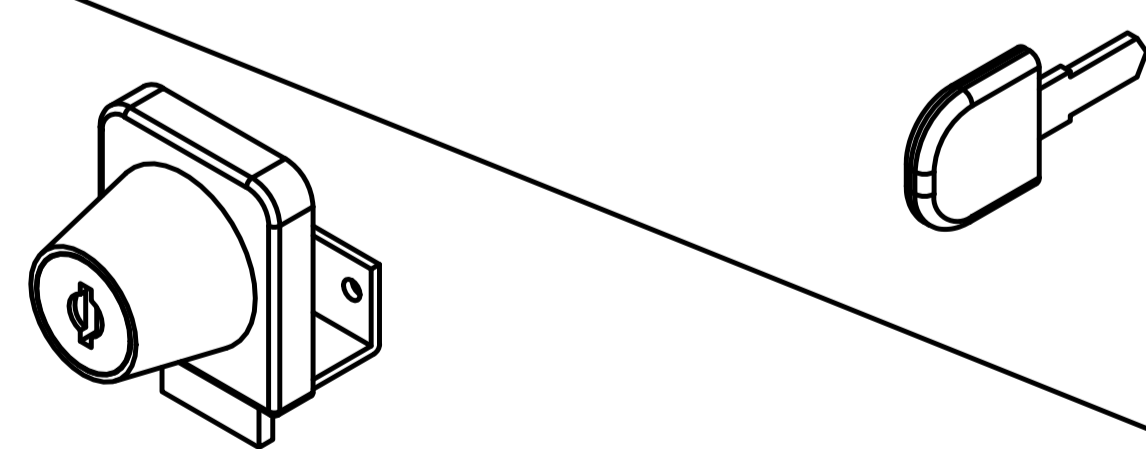
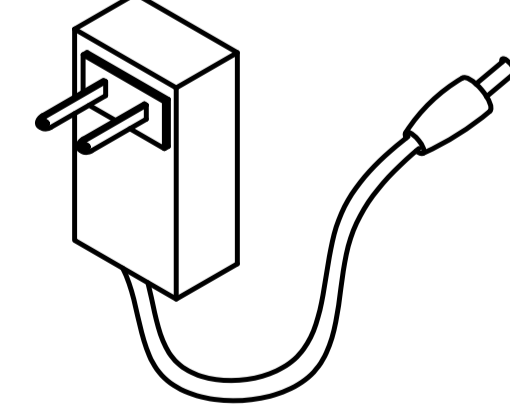
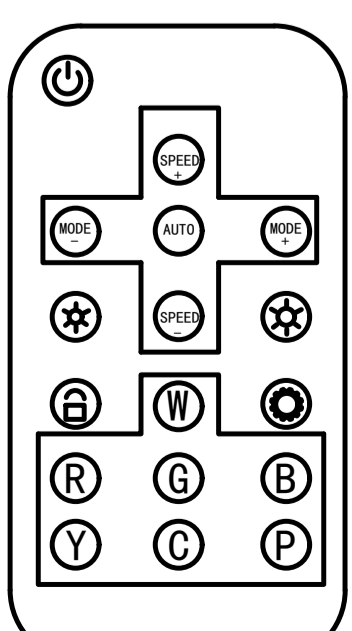
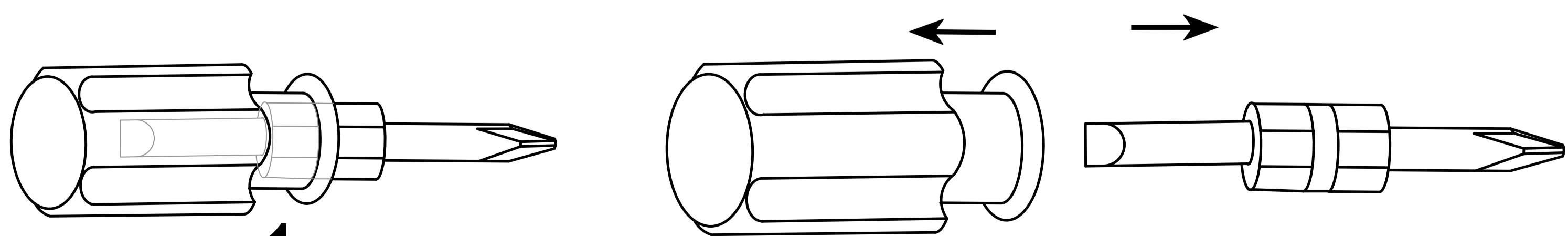
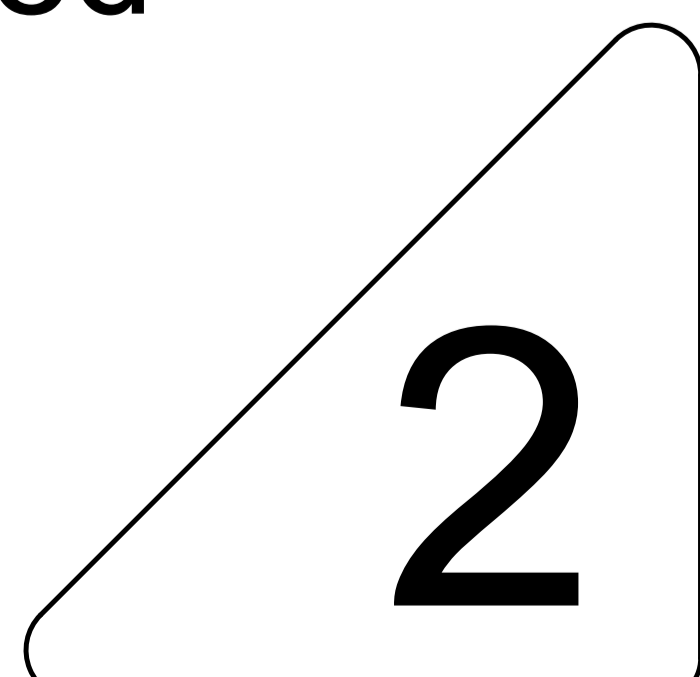


Mx4

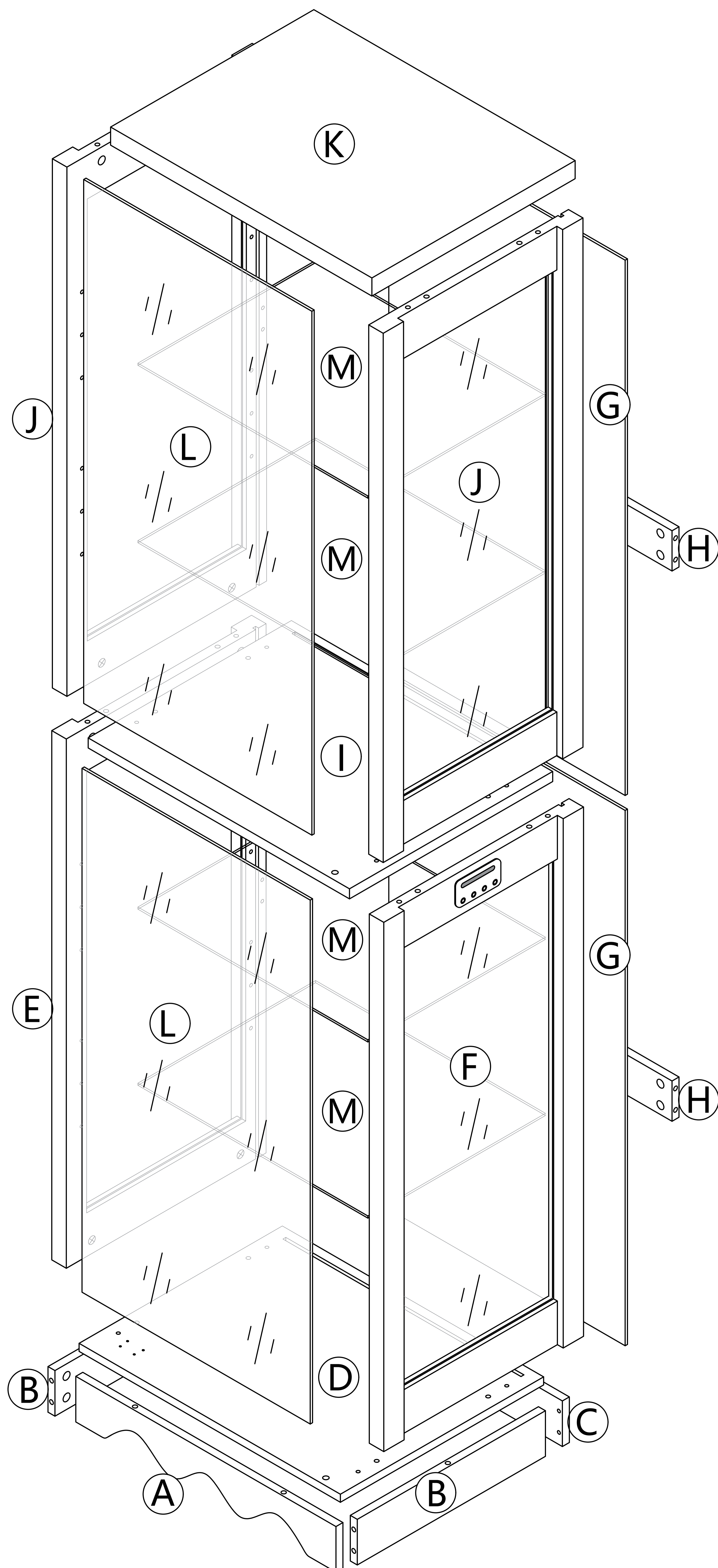


1

Accessories list

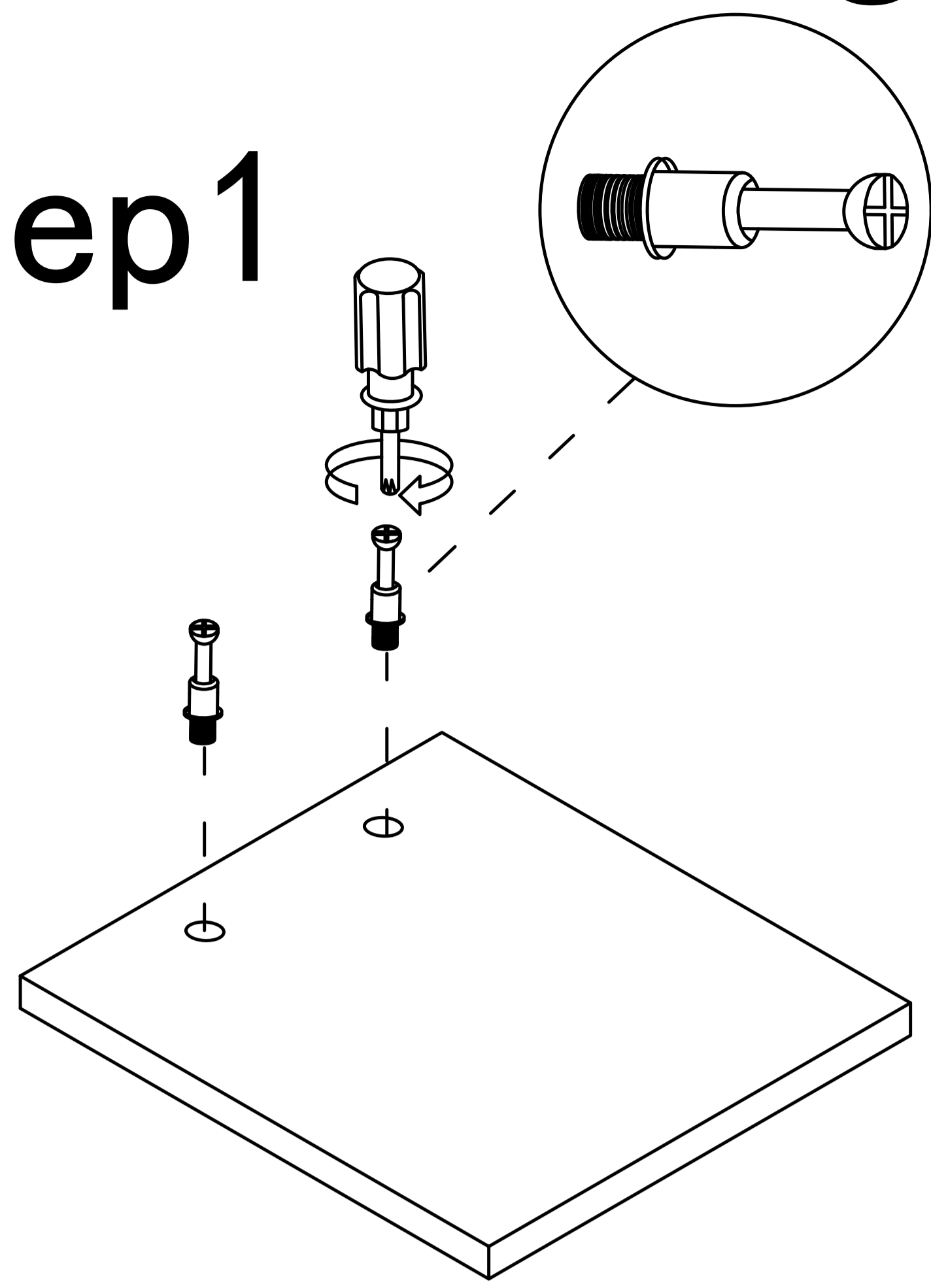
①		Two in one screw (6x28mm)		38pcs +4pcs		
②		Two in one nut (10x12mm)		38pcs +4pcs		
③		Wood Chipping (6x30mm)		16pcs +2pcs		
④		Non-slip pads		8pcs +2pcs		
⑤		Fixing clip & screw (3x16mm)		12pcs +1pcs		
⑥		Wire clamp		3pcs +1pcs		
⑦		Laminate Support Nail		16pcs +2pcs		
⑧		Rebound device & Screw (3x16mm)		8pcs +1pcs		
		Iron sheet		2pcs		
		Hinge		4pcs		
⑨	Anti Fall Hardware	 x2	(3.5x14mm)  x2	 x2	 x2 (4x45mm)	 x4
⑩		Double door glass lock Key		2pcs 1pcs		
		AC/DC Adapter (12V=3.0A)		1pcs		
remote control		Double-head screwdriver, use as required				
	 1pcs					

Product structure decomposition

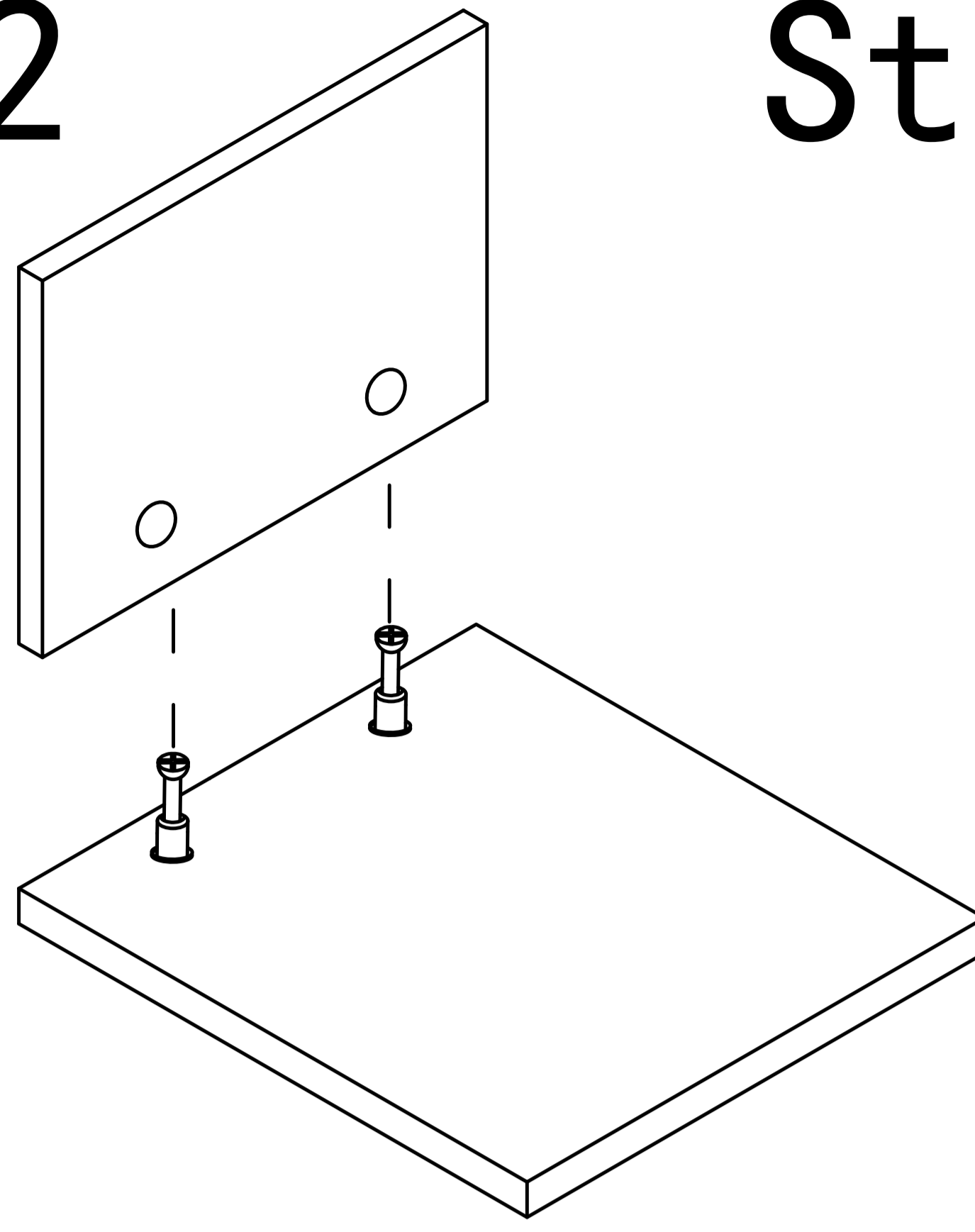


Use parts ① and ②

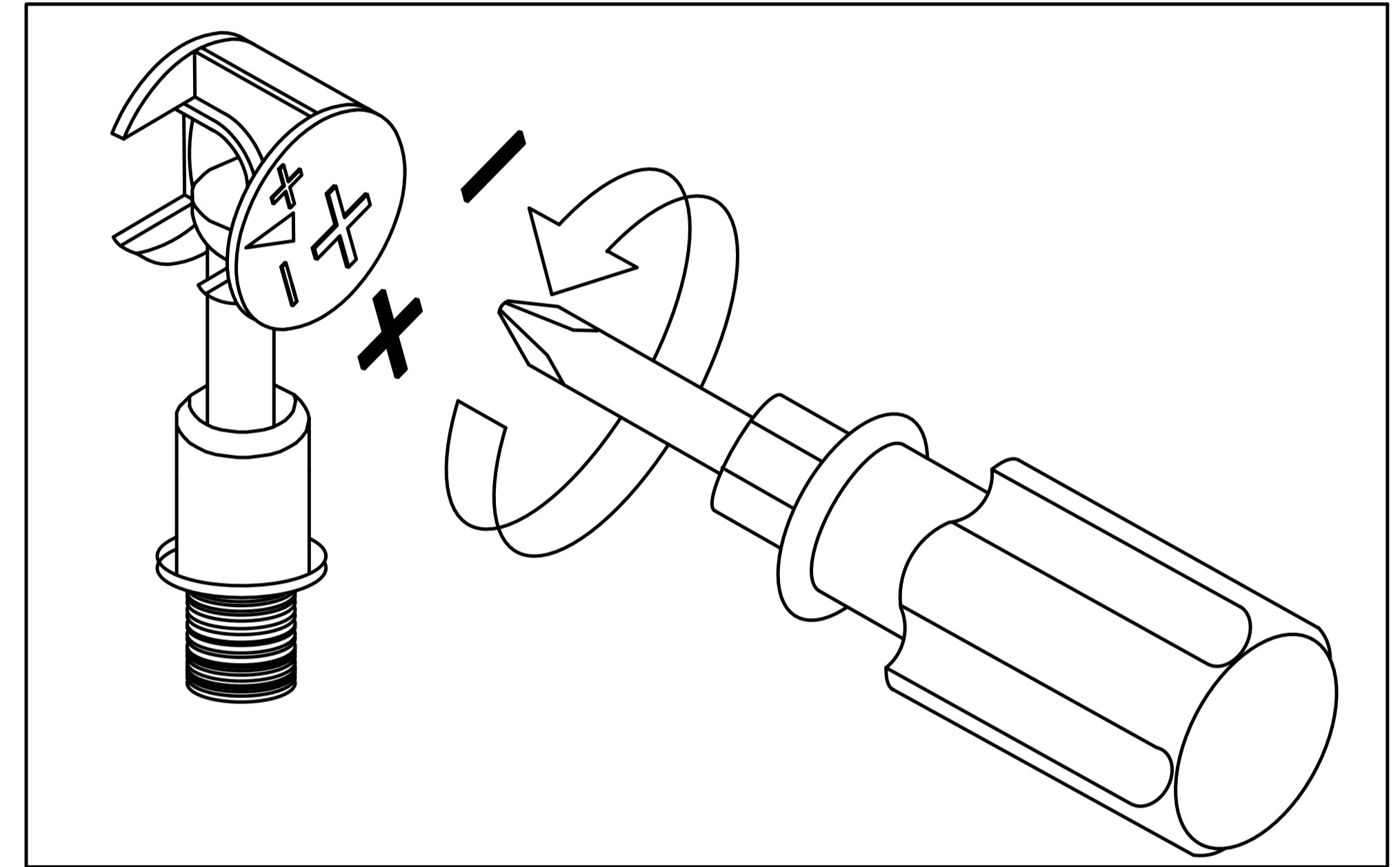
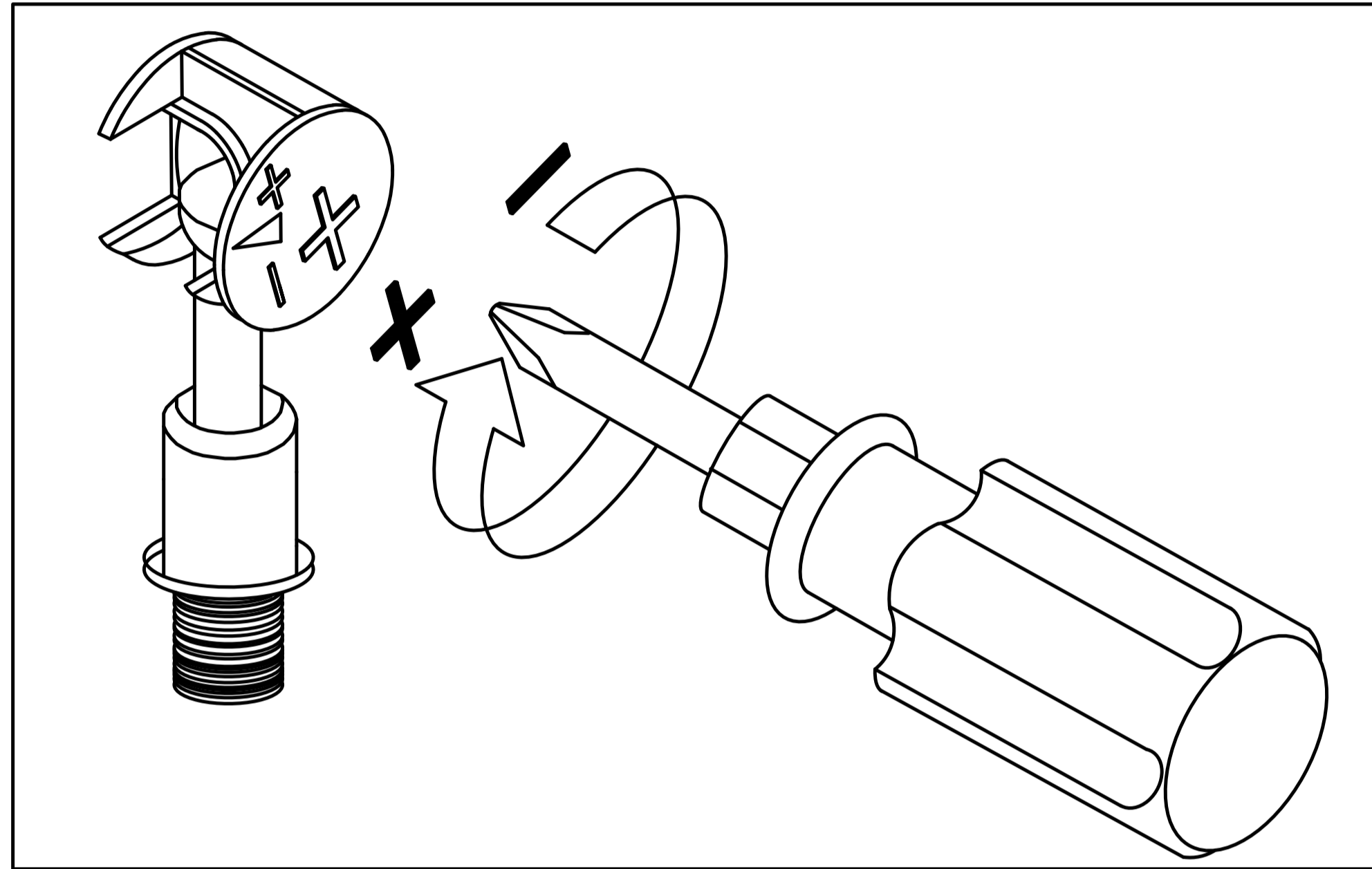
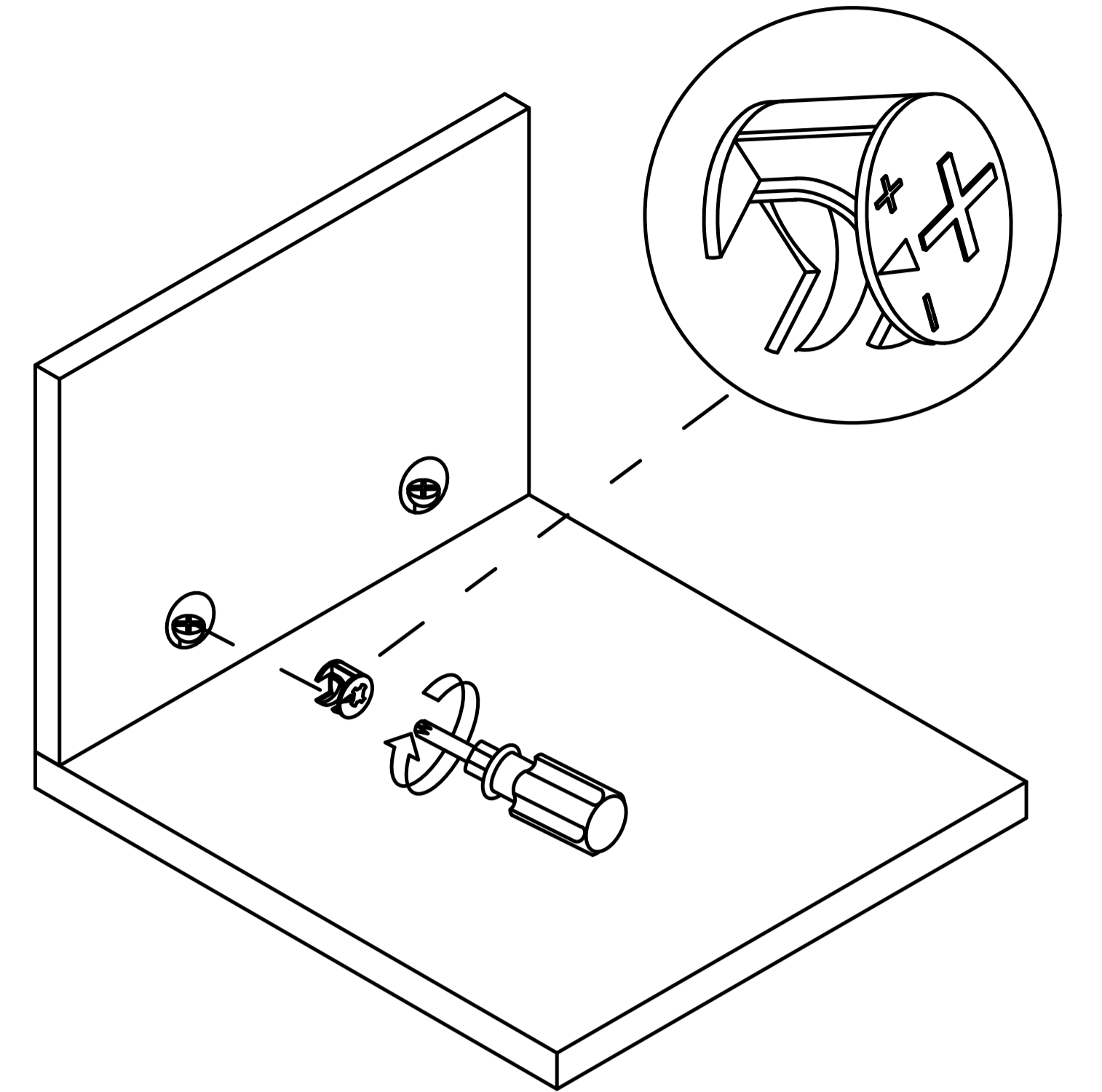
Step 1



Step 2



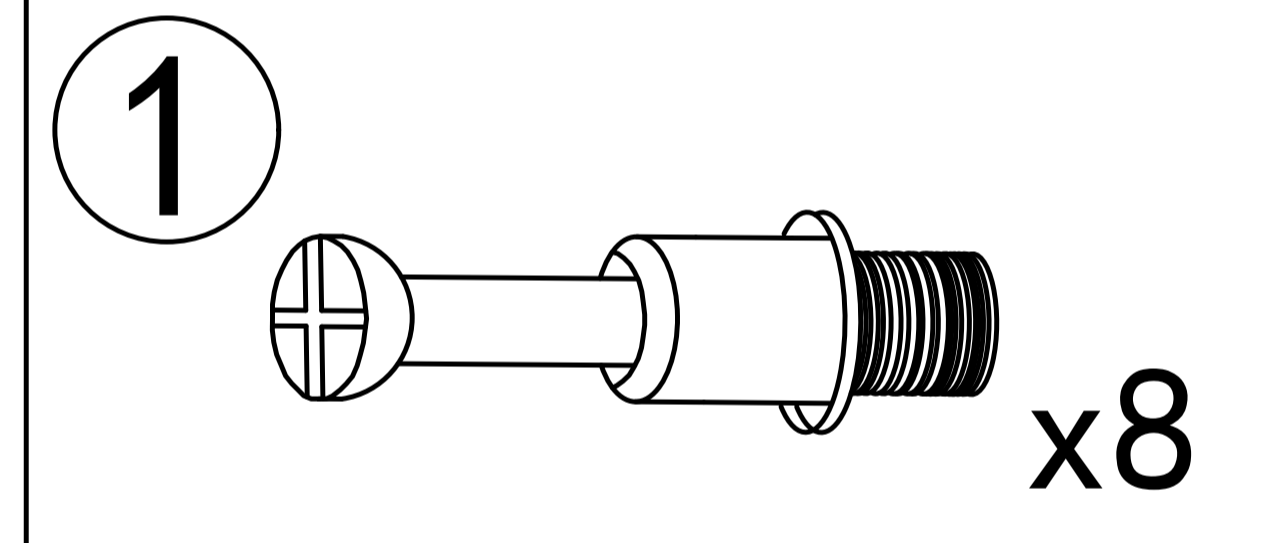
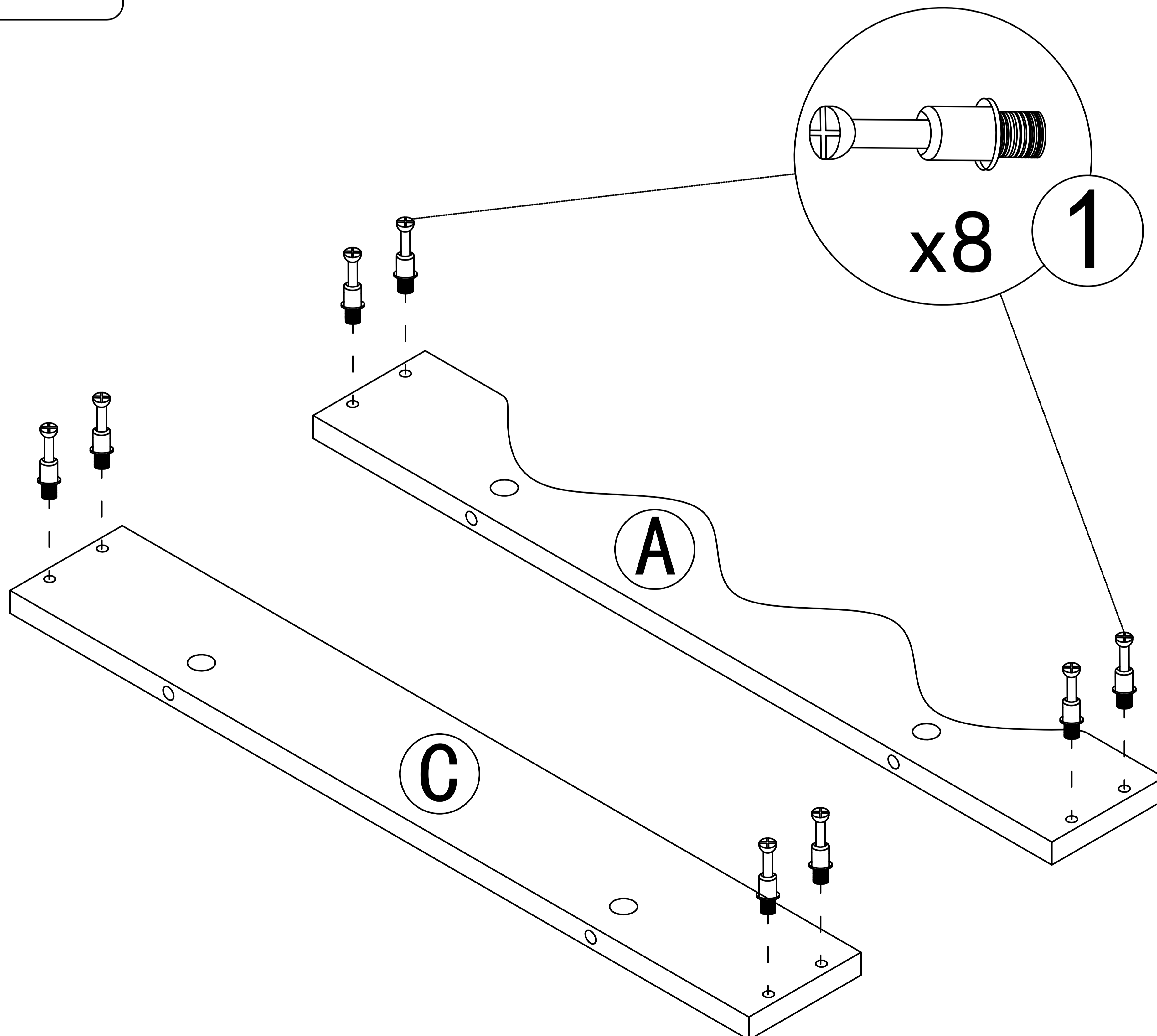
Step 3



Use a screwdriver to lock in the direction of the "+" sign

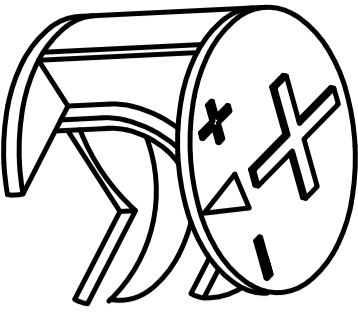
Disassemble along the direction of "-" sign

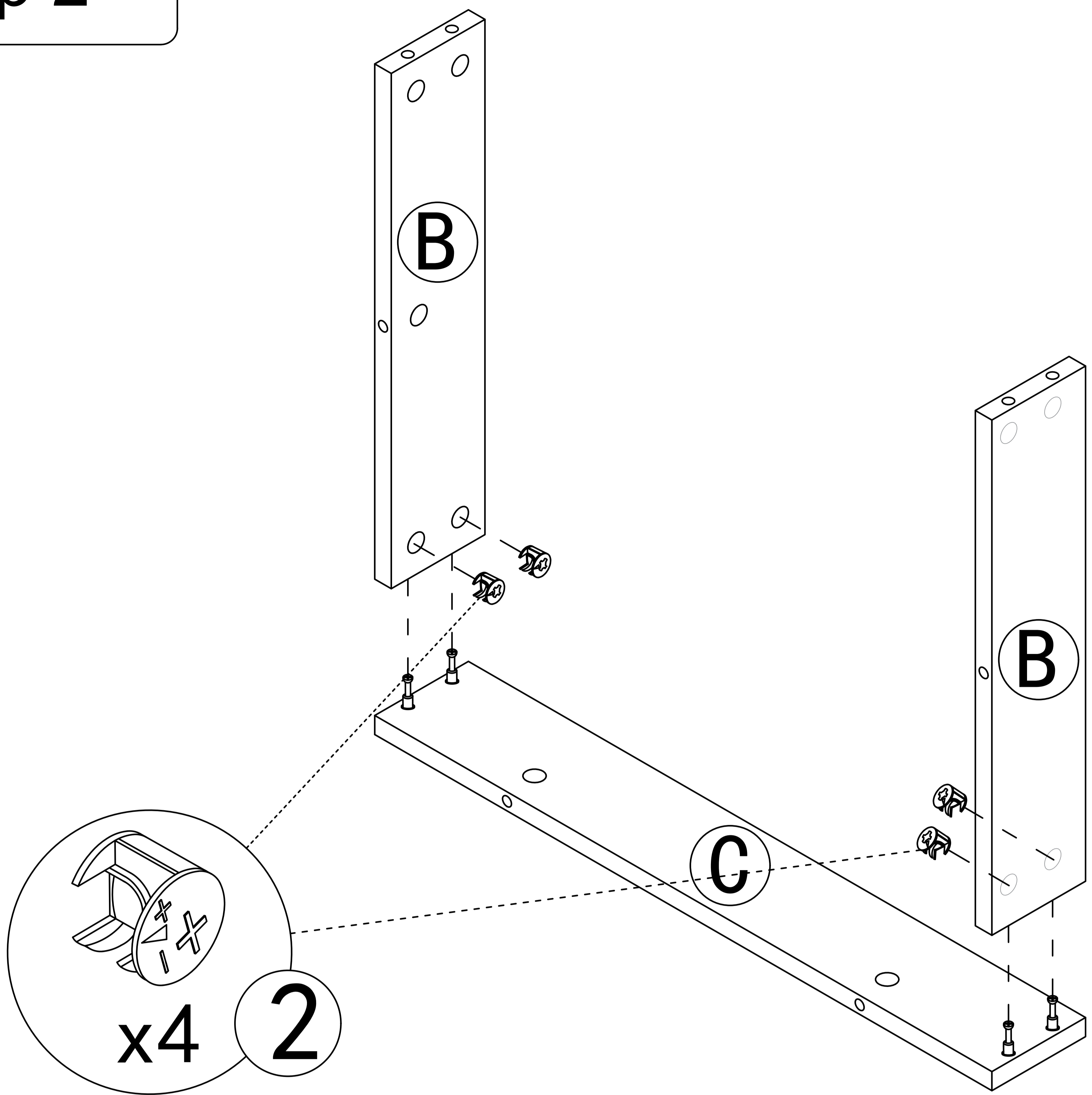
Step 1



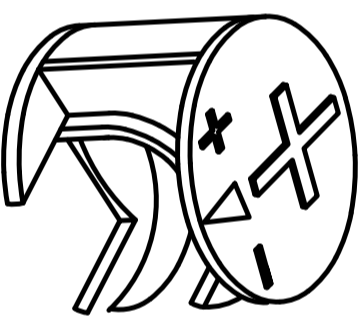
4

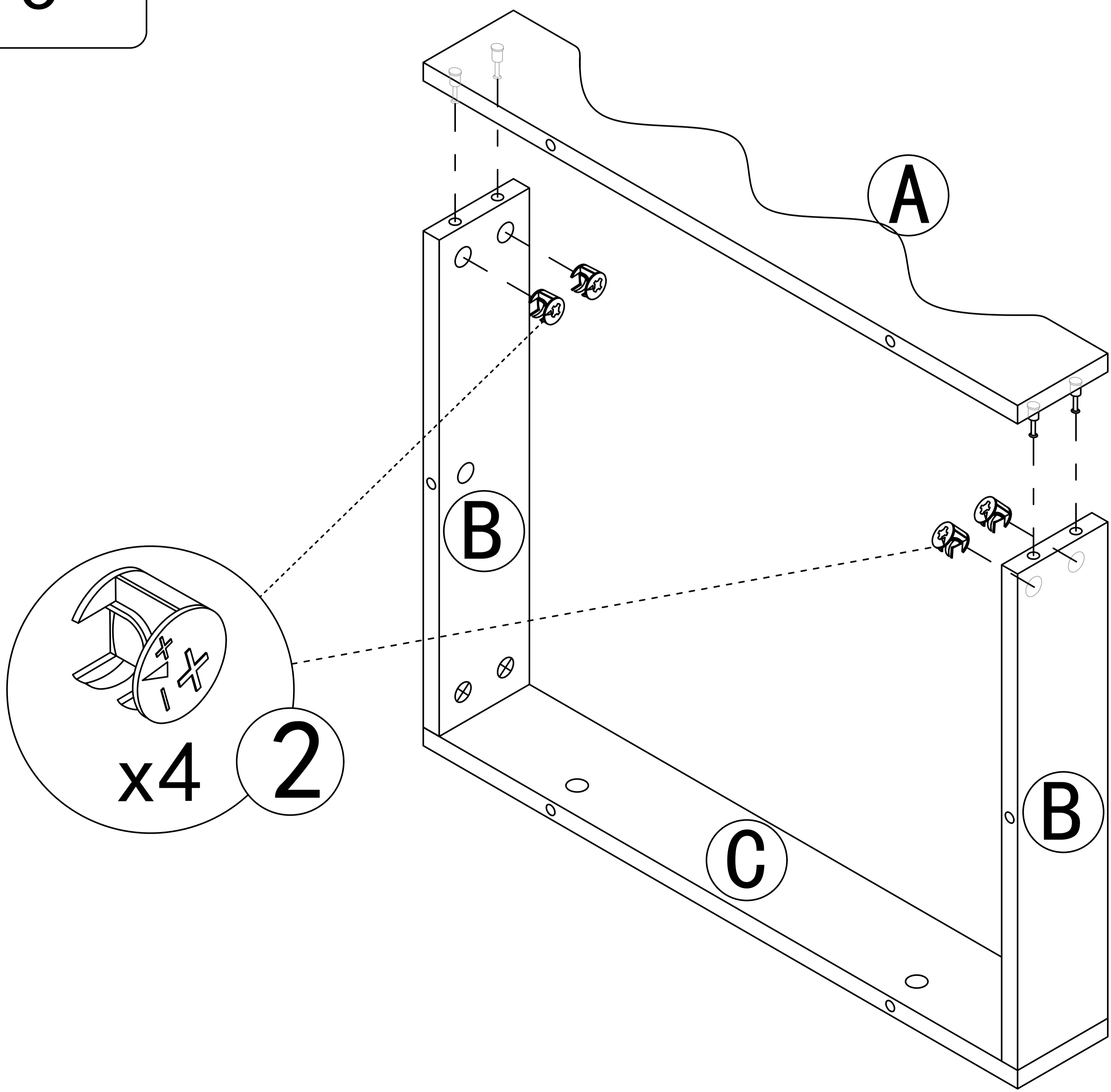
Step 2

2  x4

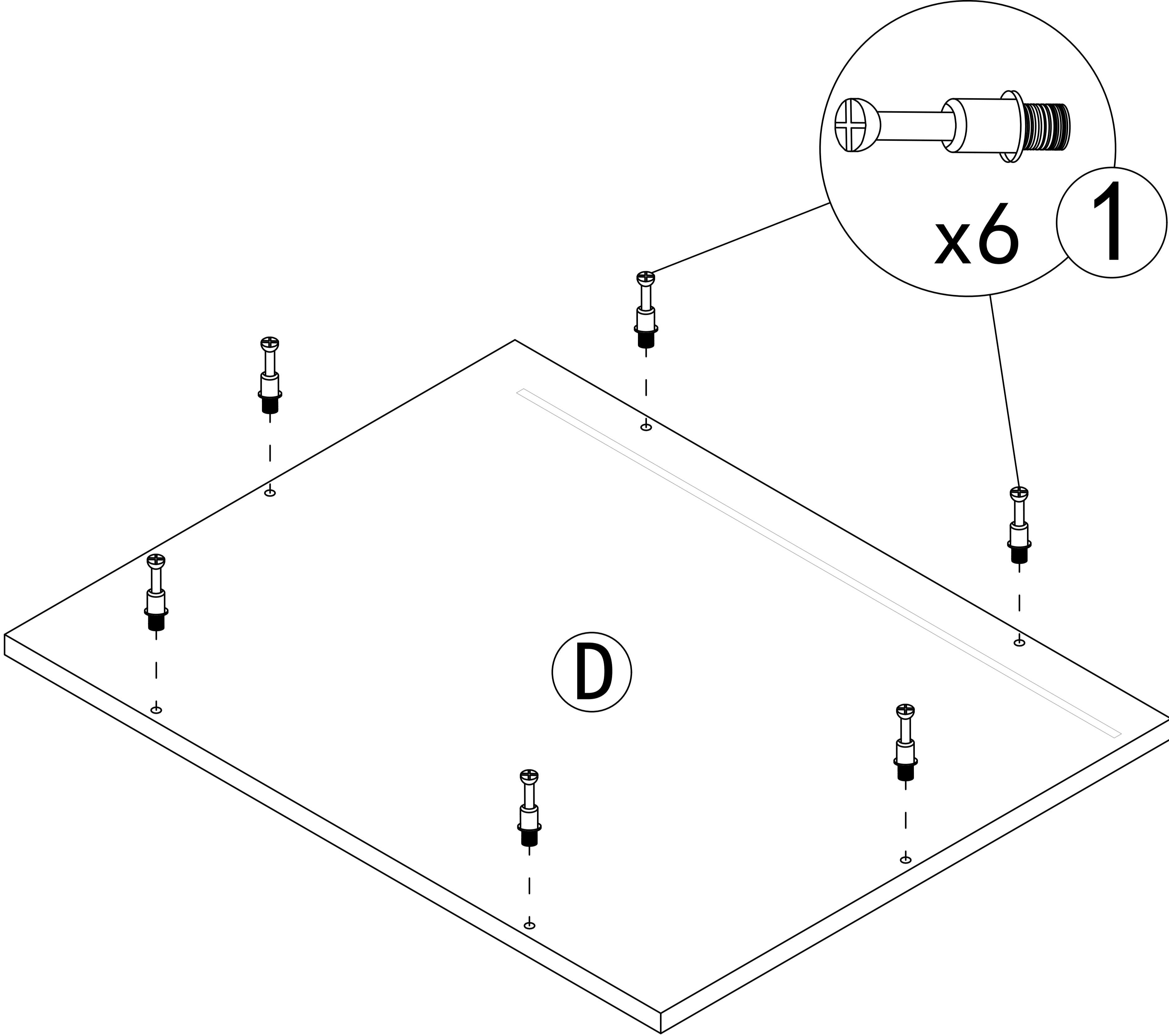
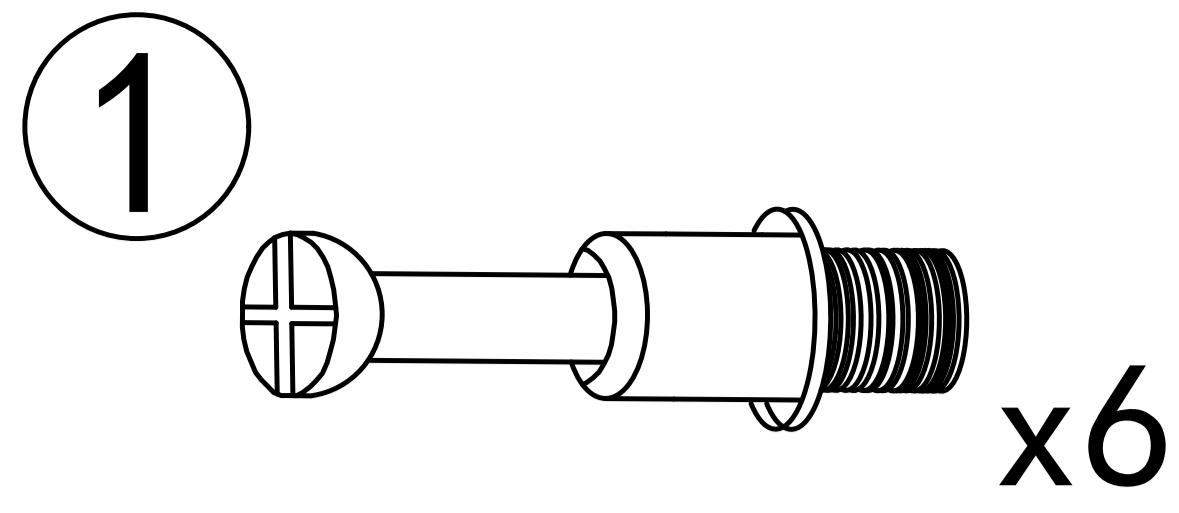


Step 3

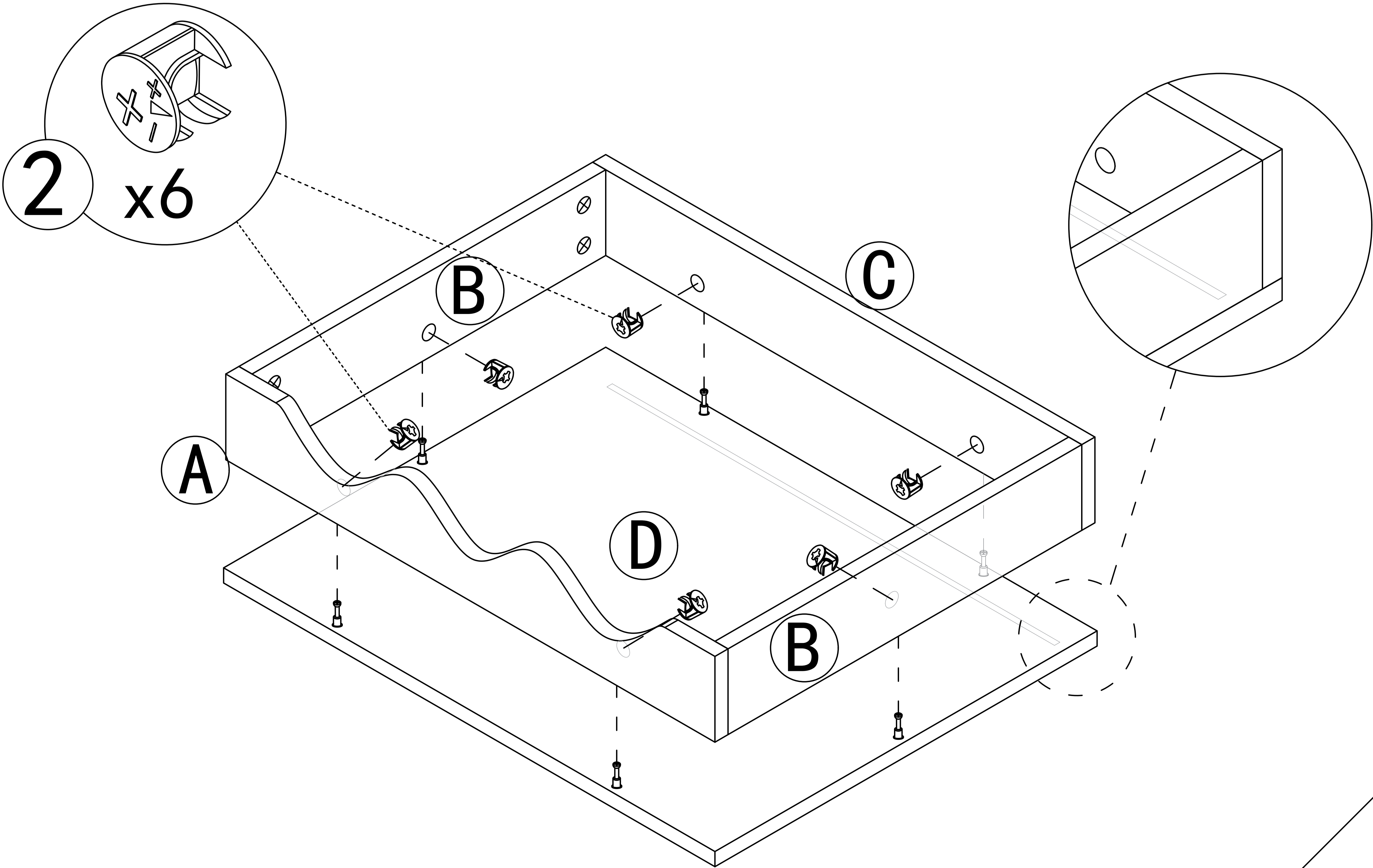
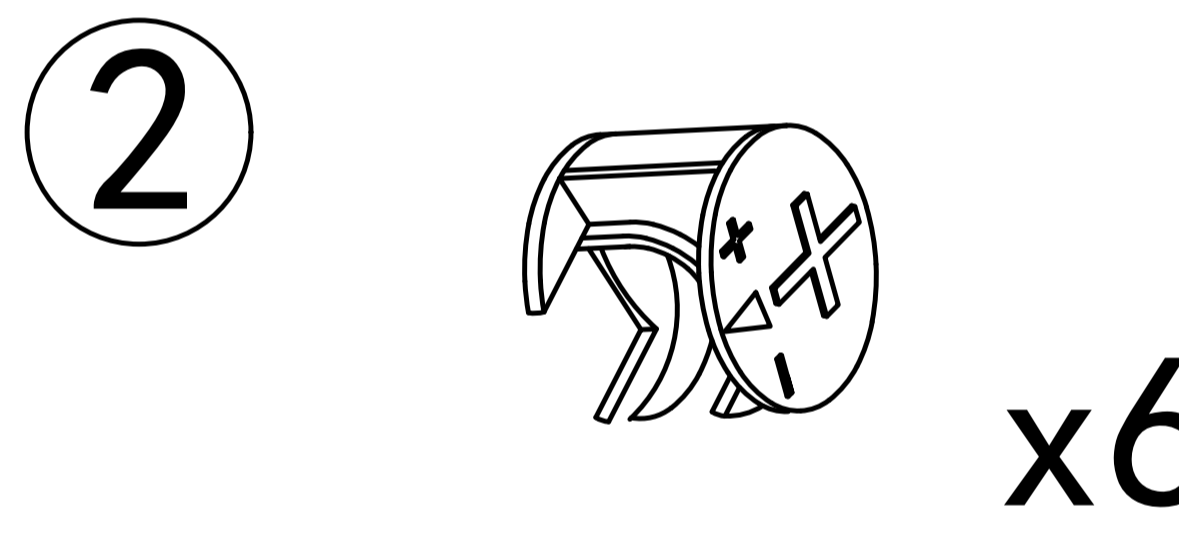
2  x4



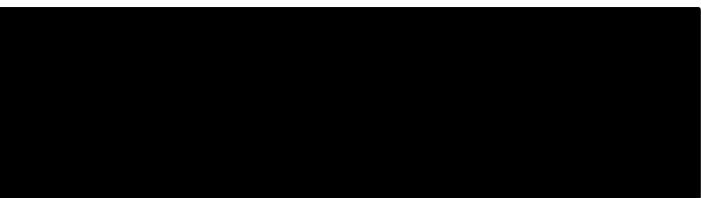
Step 4

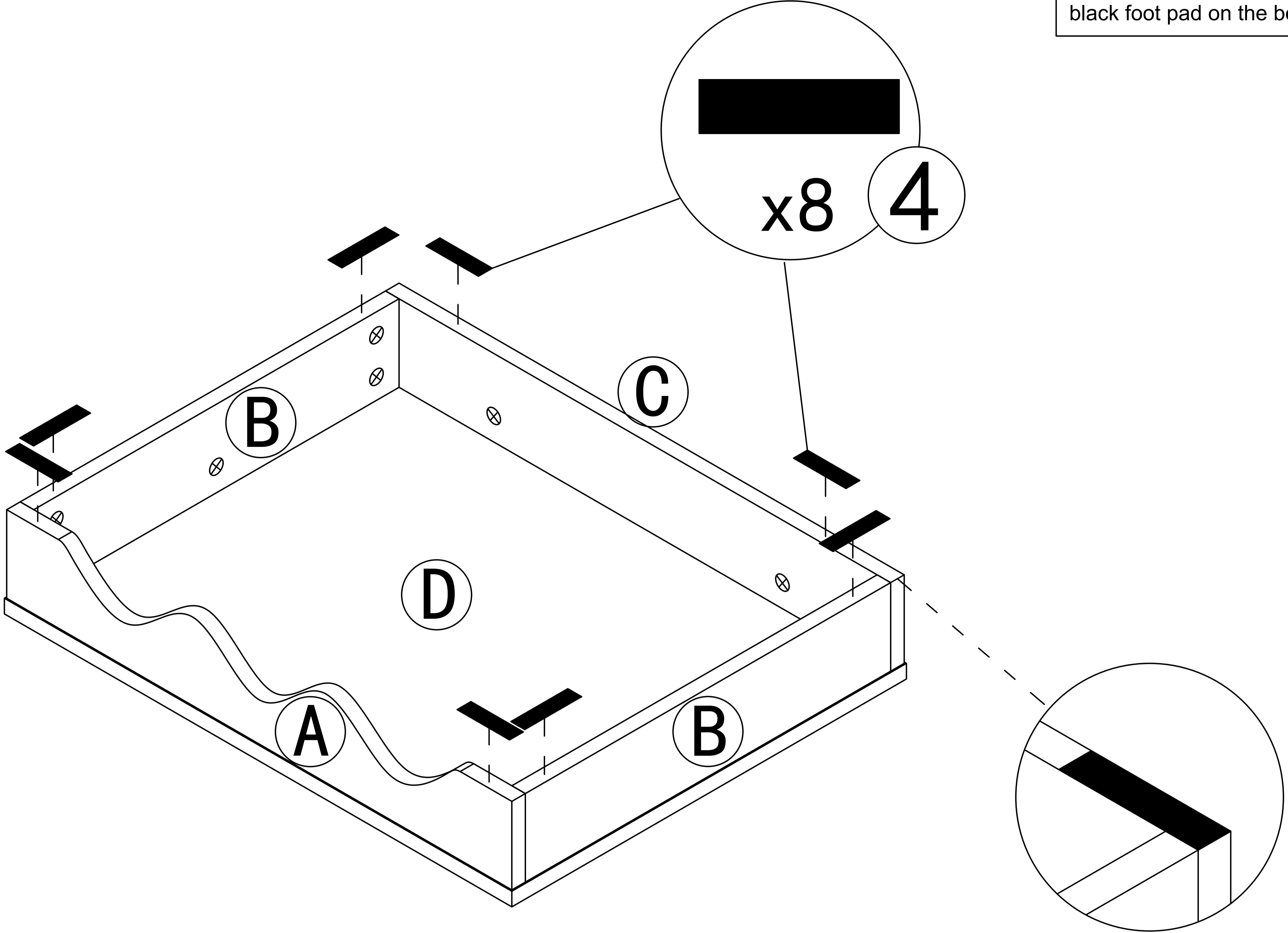


Step 5

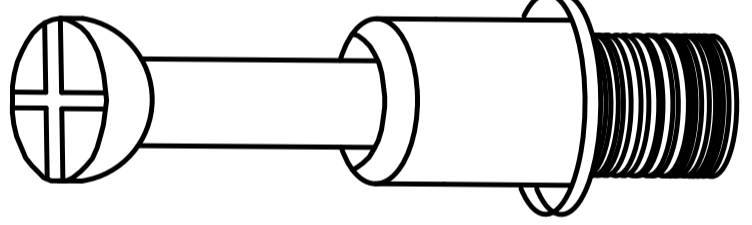

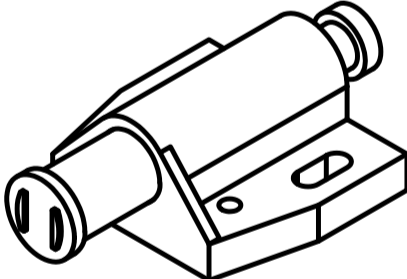
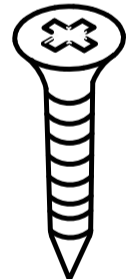


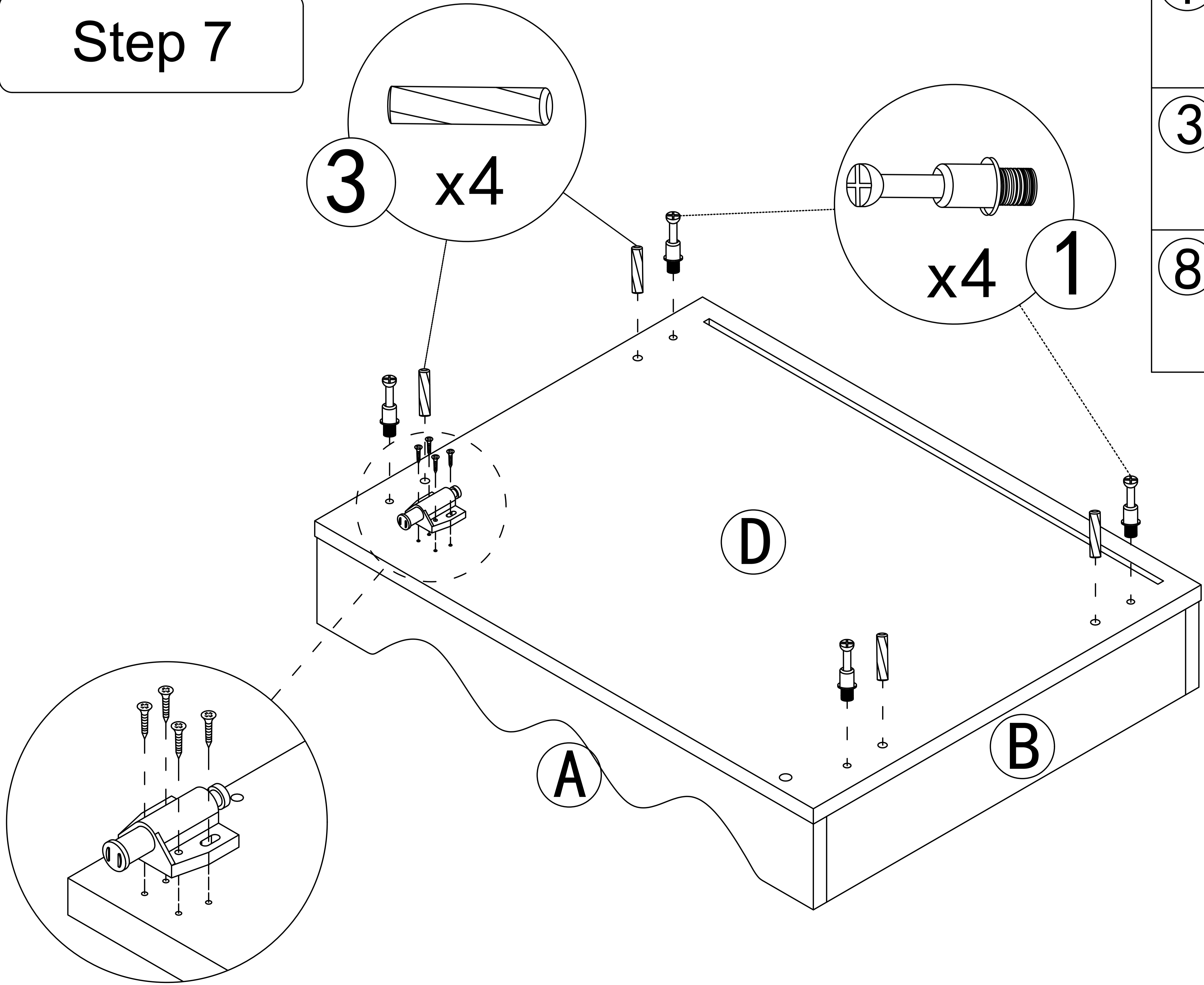
Step 6

4  x8
 Tear off release paper and stick the black foot pad on the board

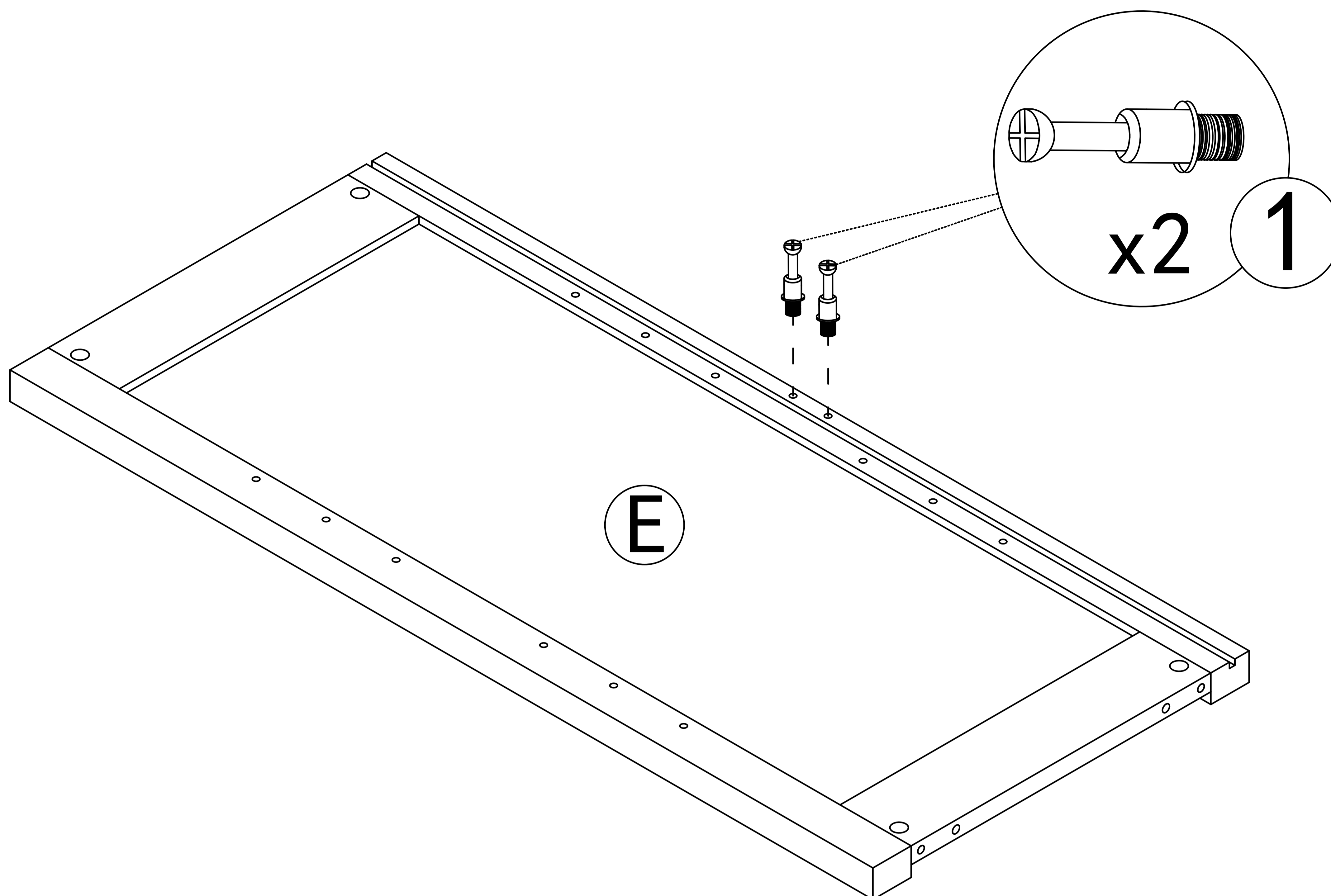
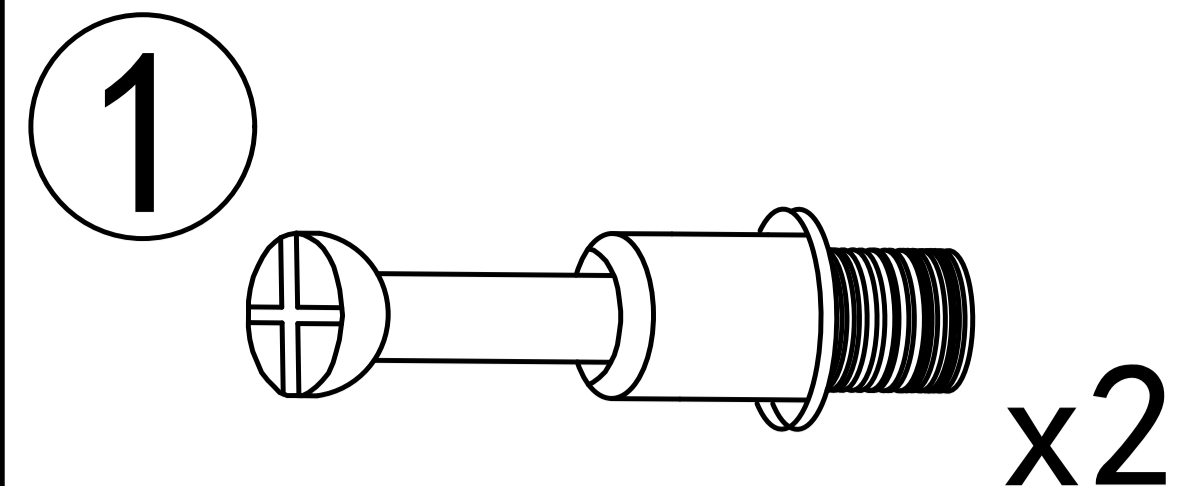


Step 7

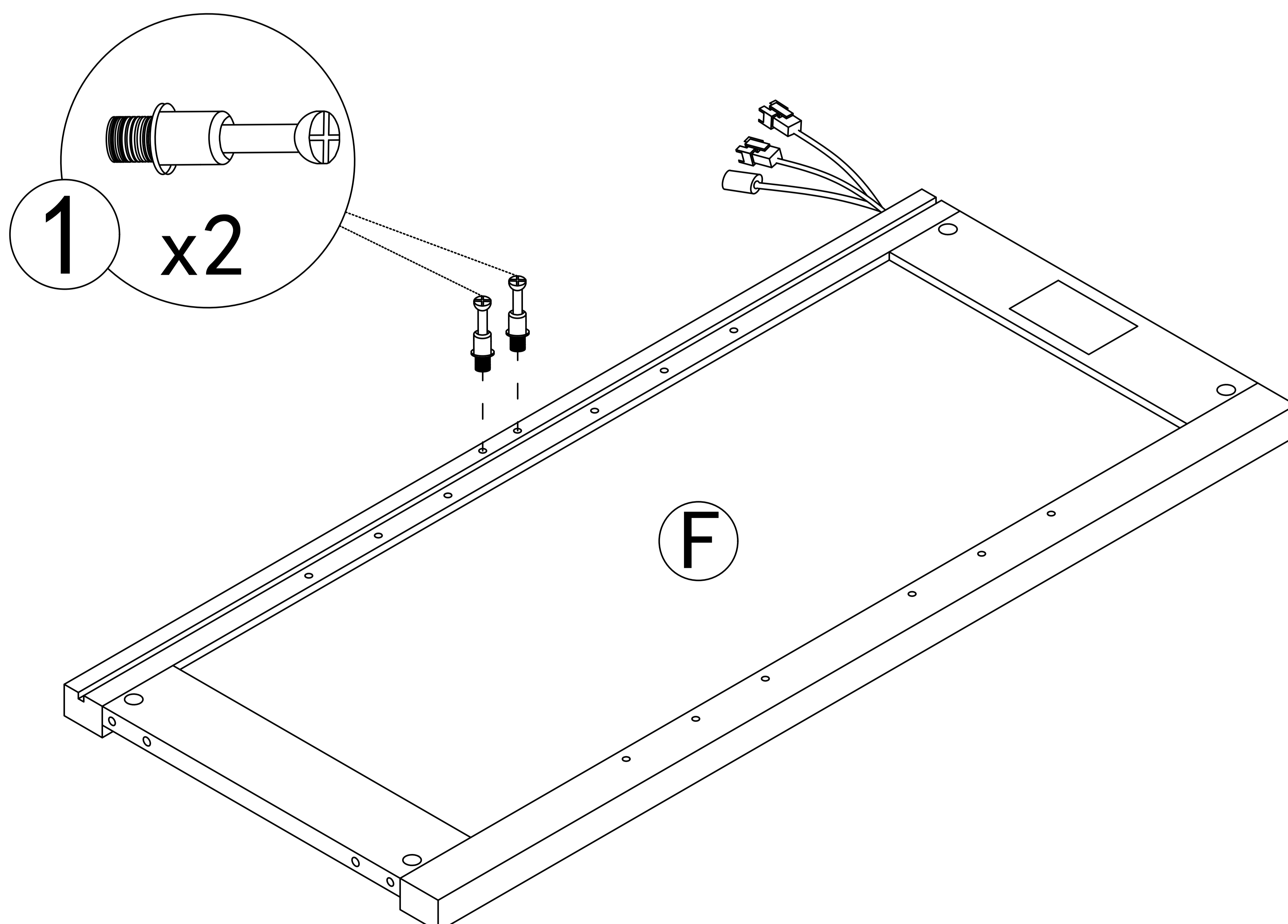
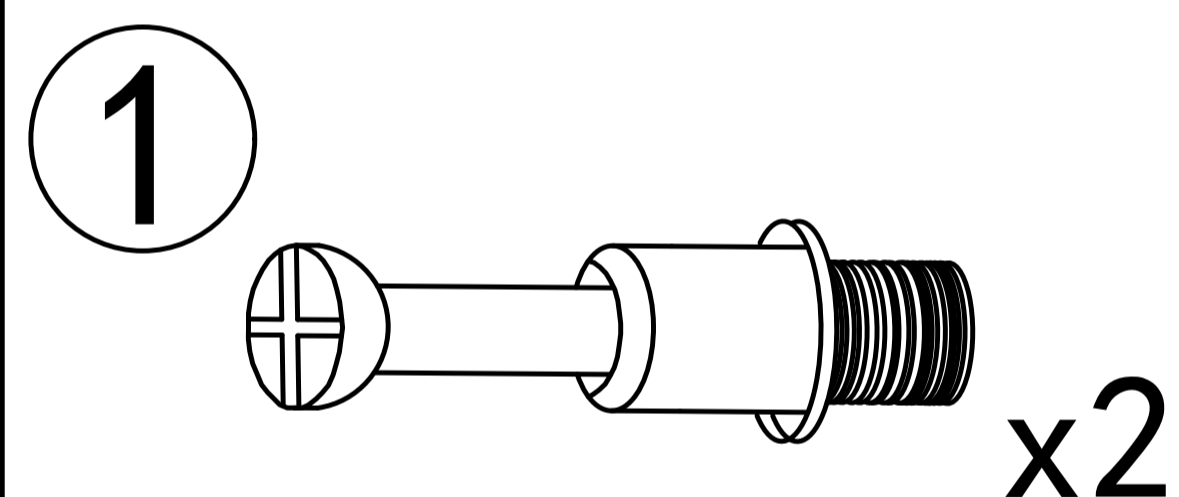
1  x4
3  x4
8  x1  x4



Step 8

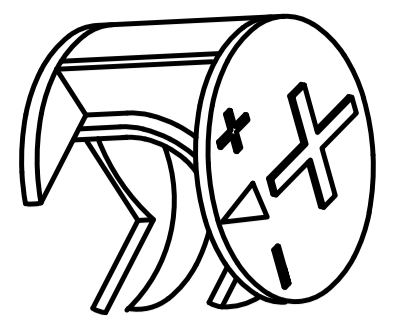


Step 9

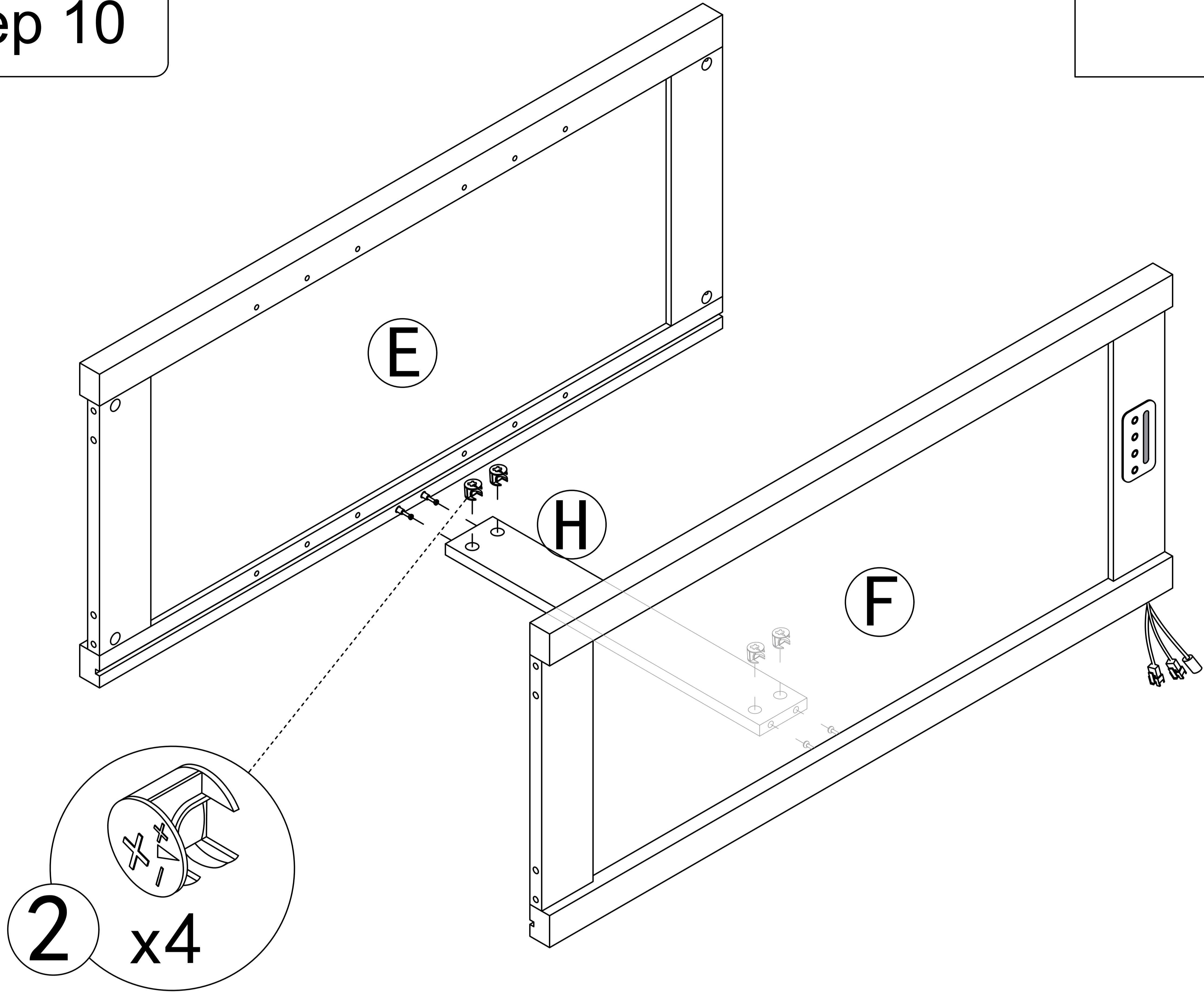


Step 10

2

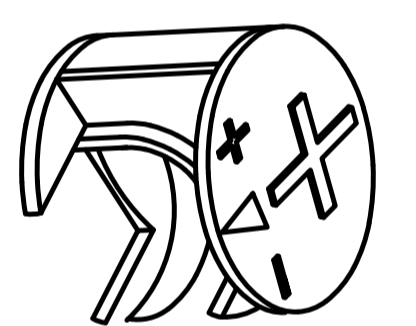


x4

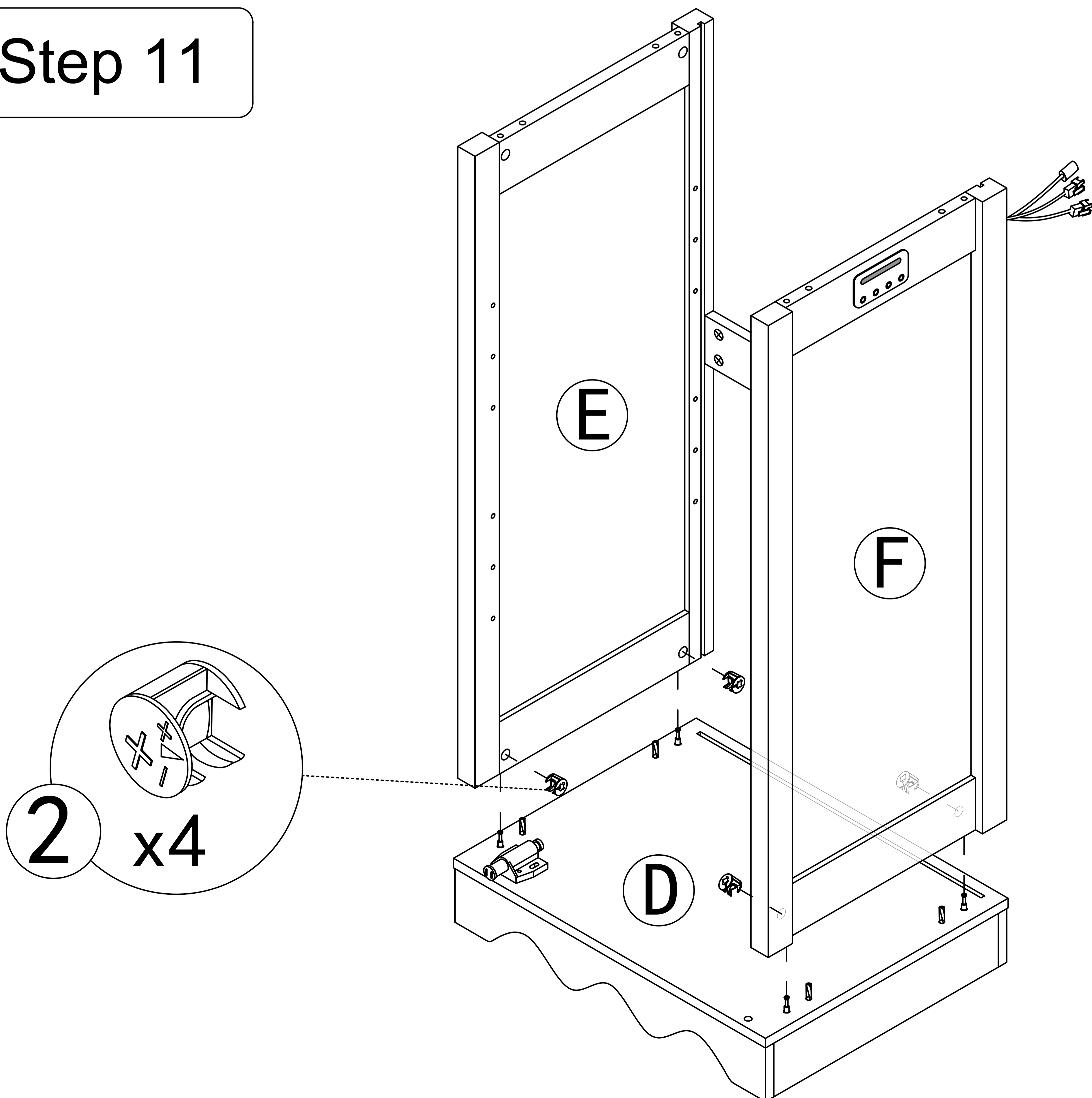


Step 11

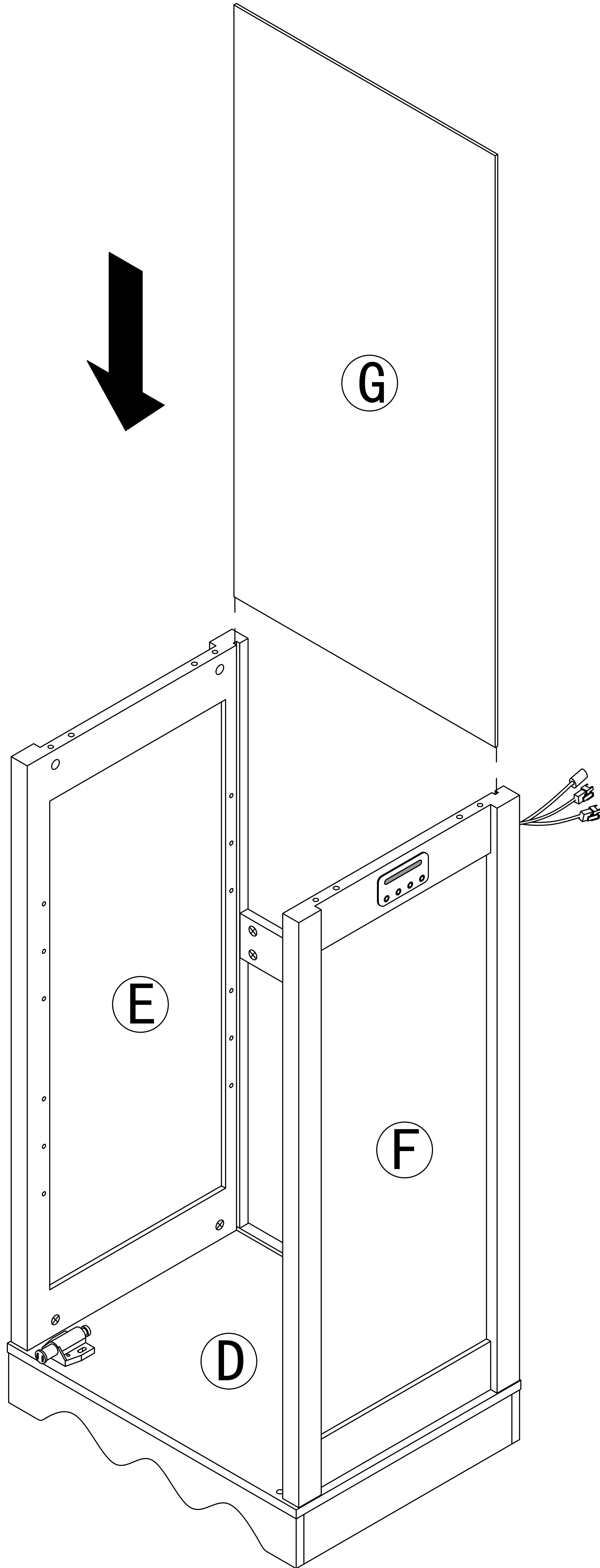
2



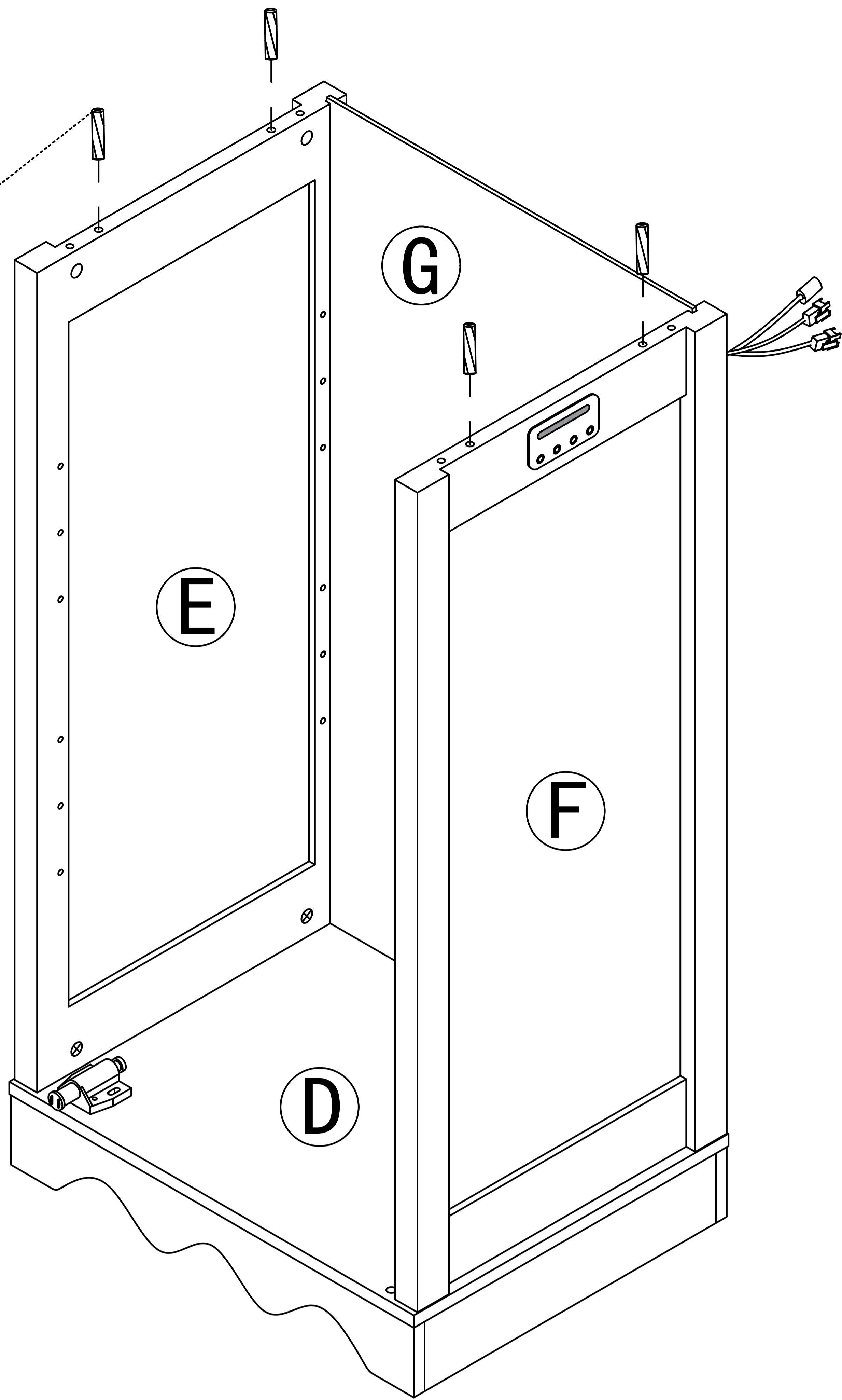
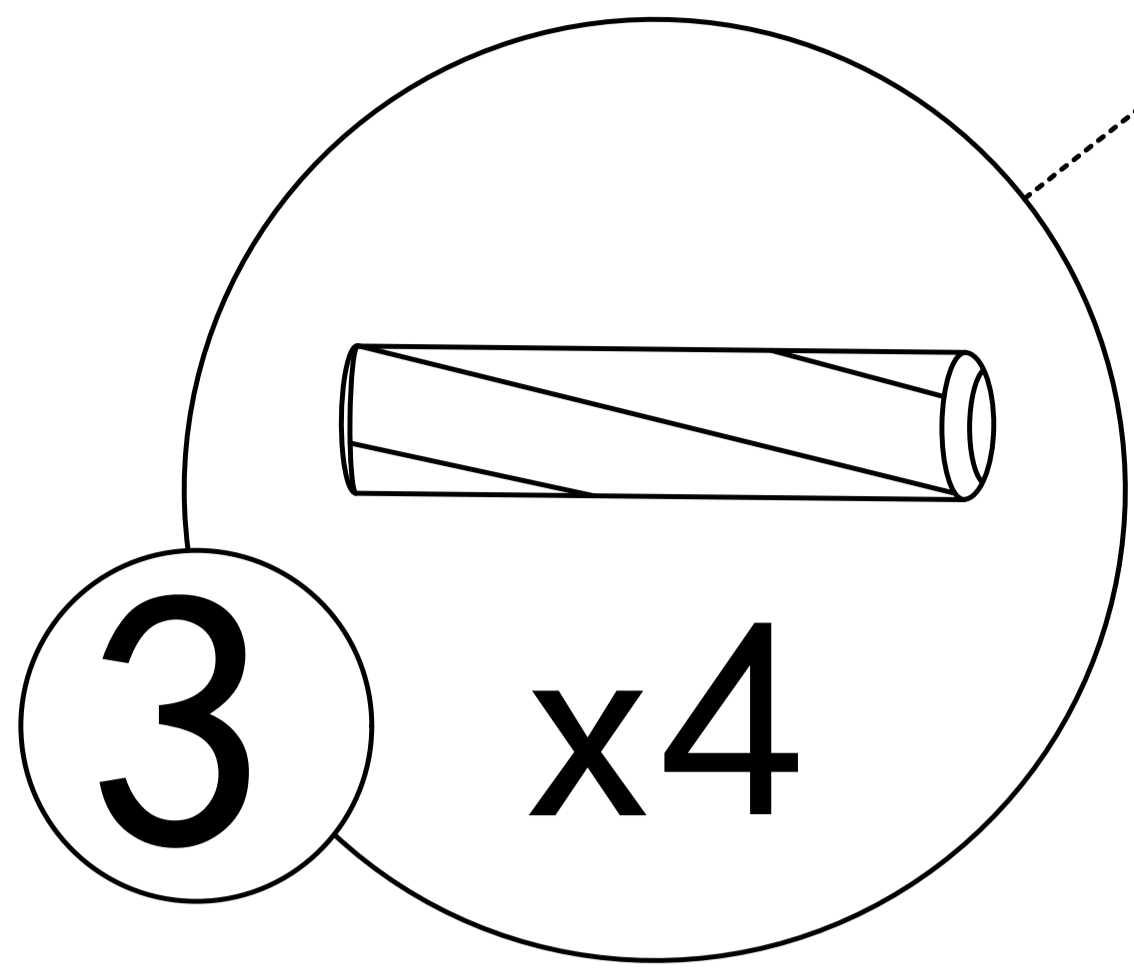
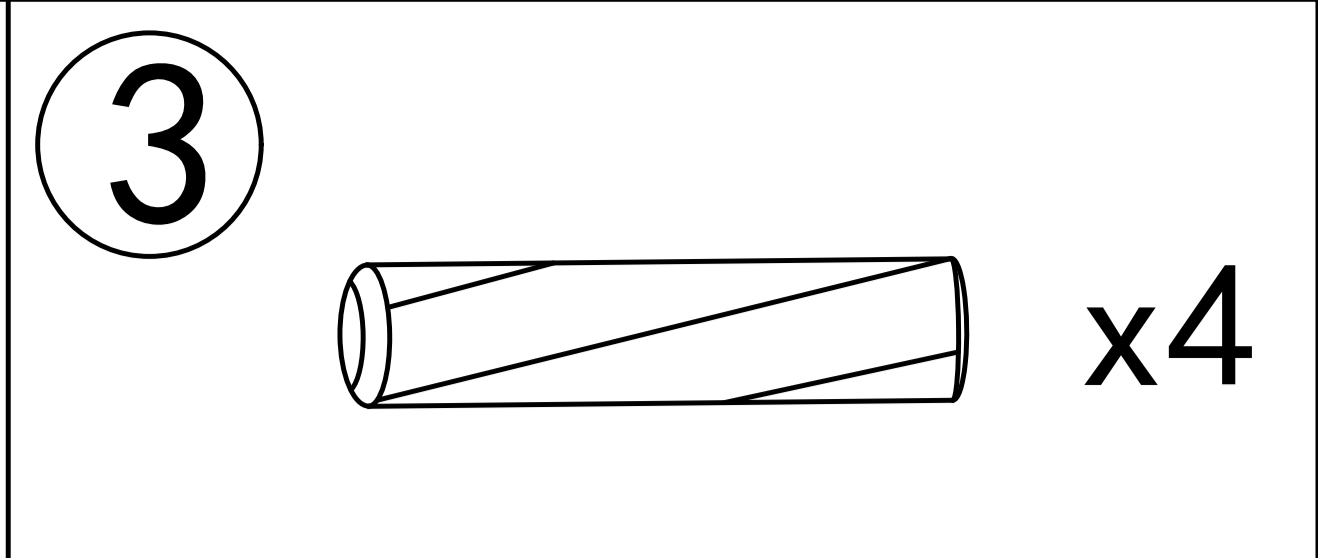
x4



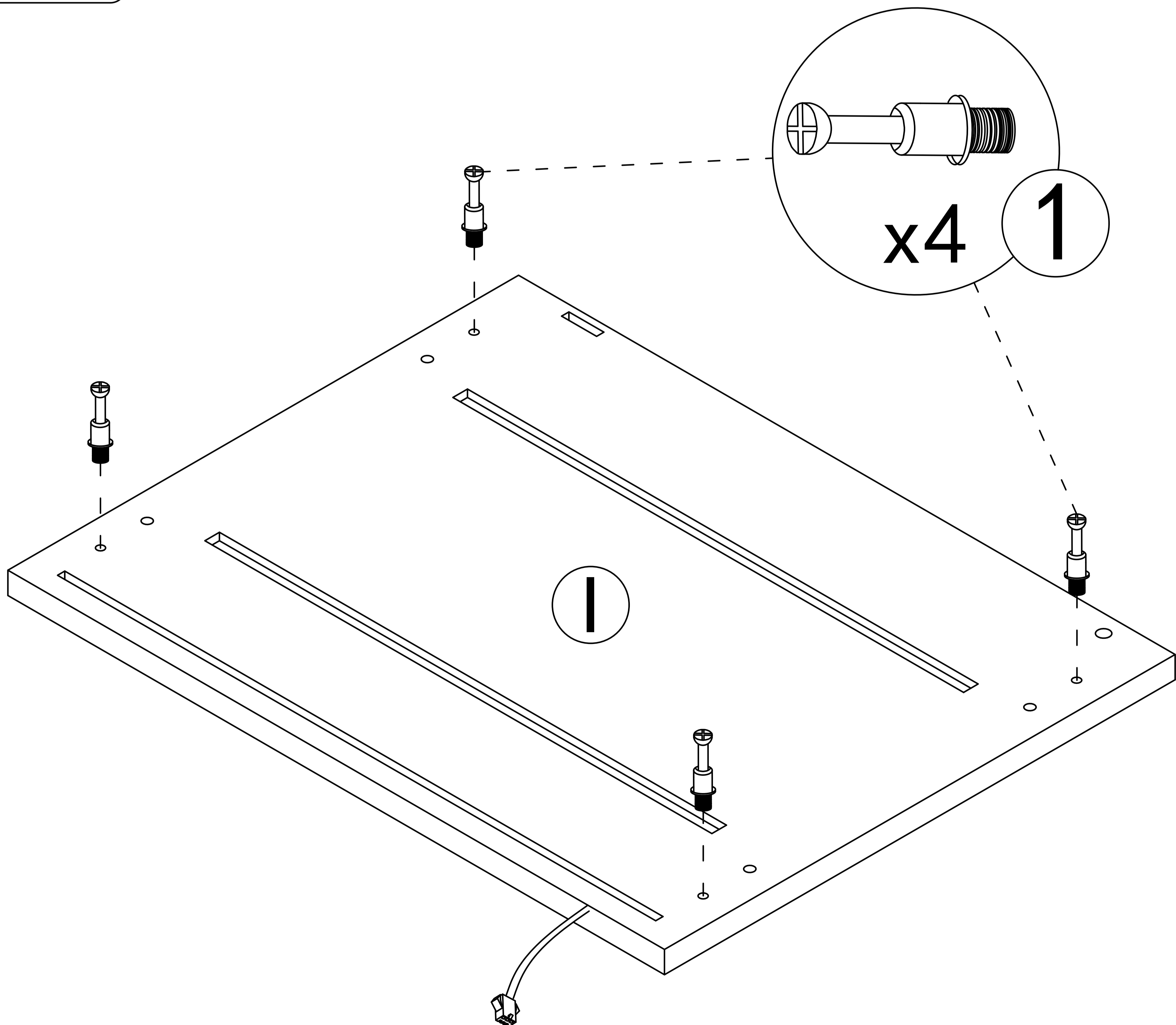
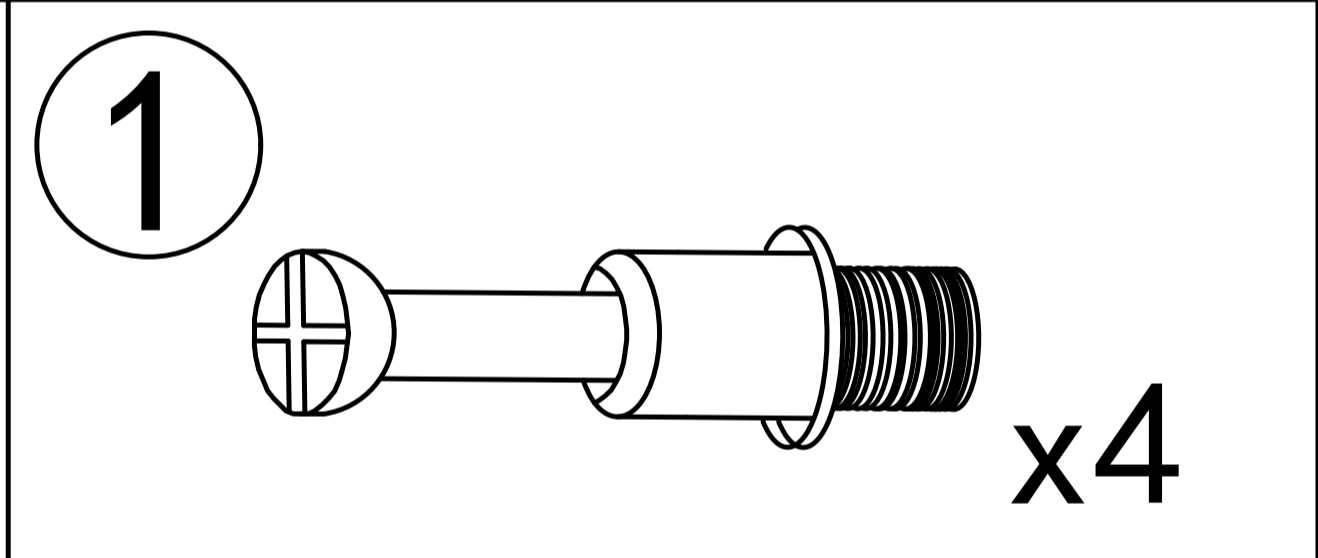
Step 12



Step 13

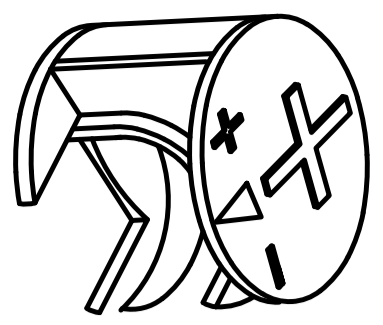


Step 14

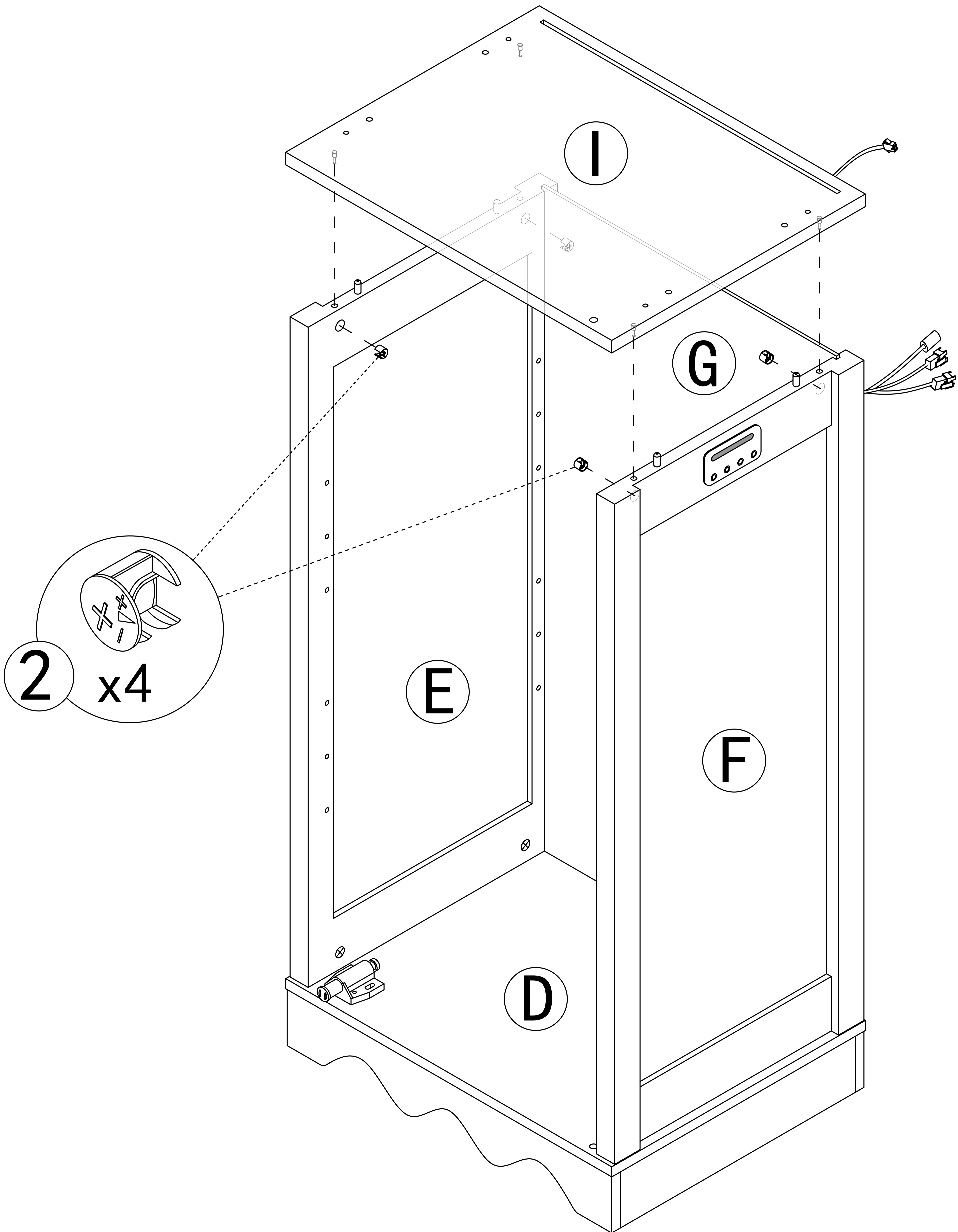


Step 15

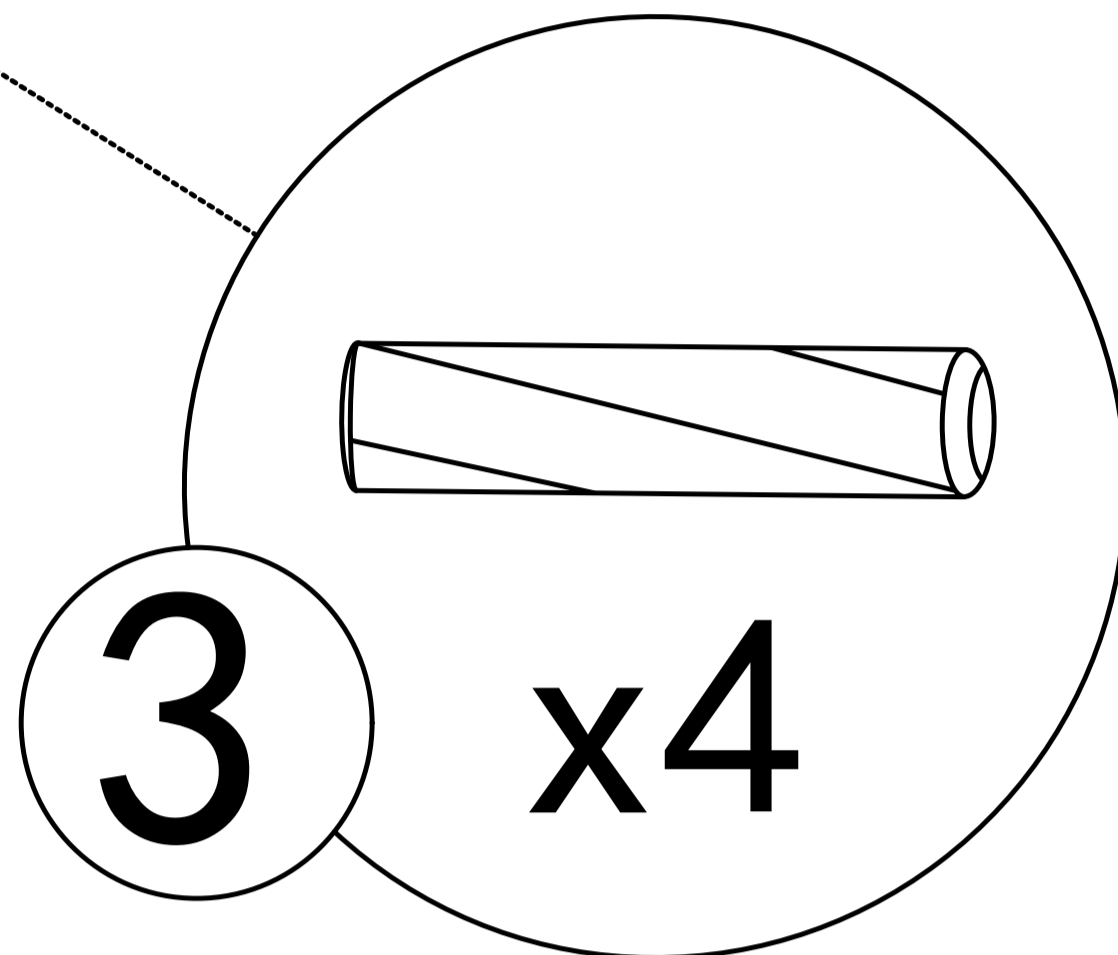
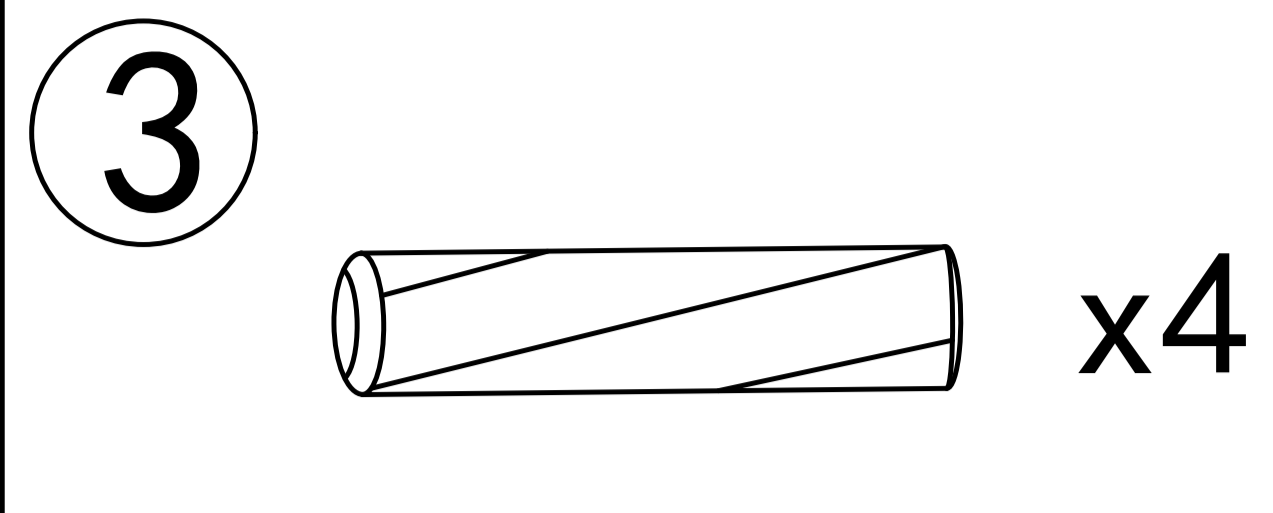
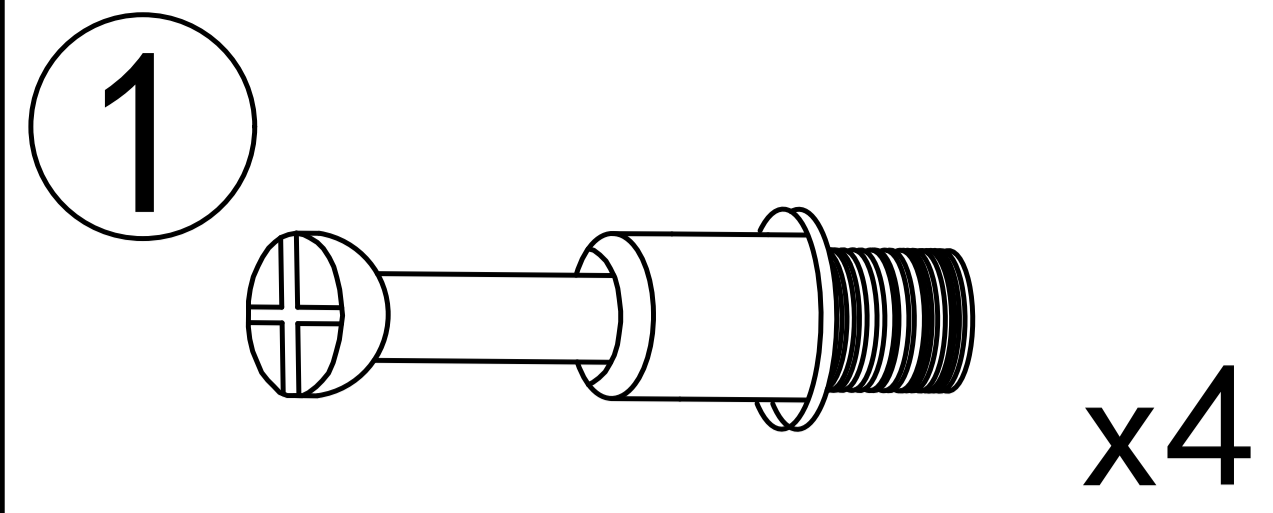
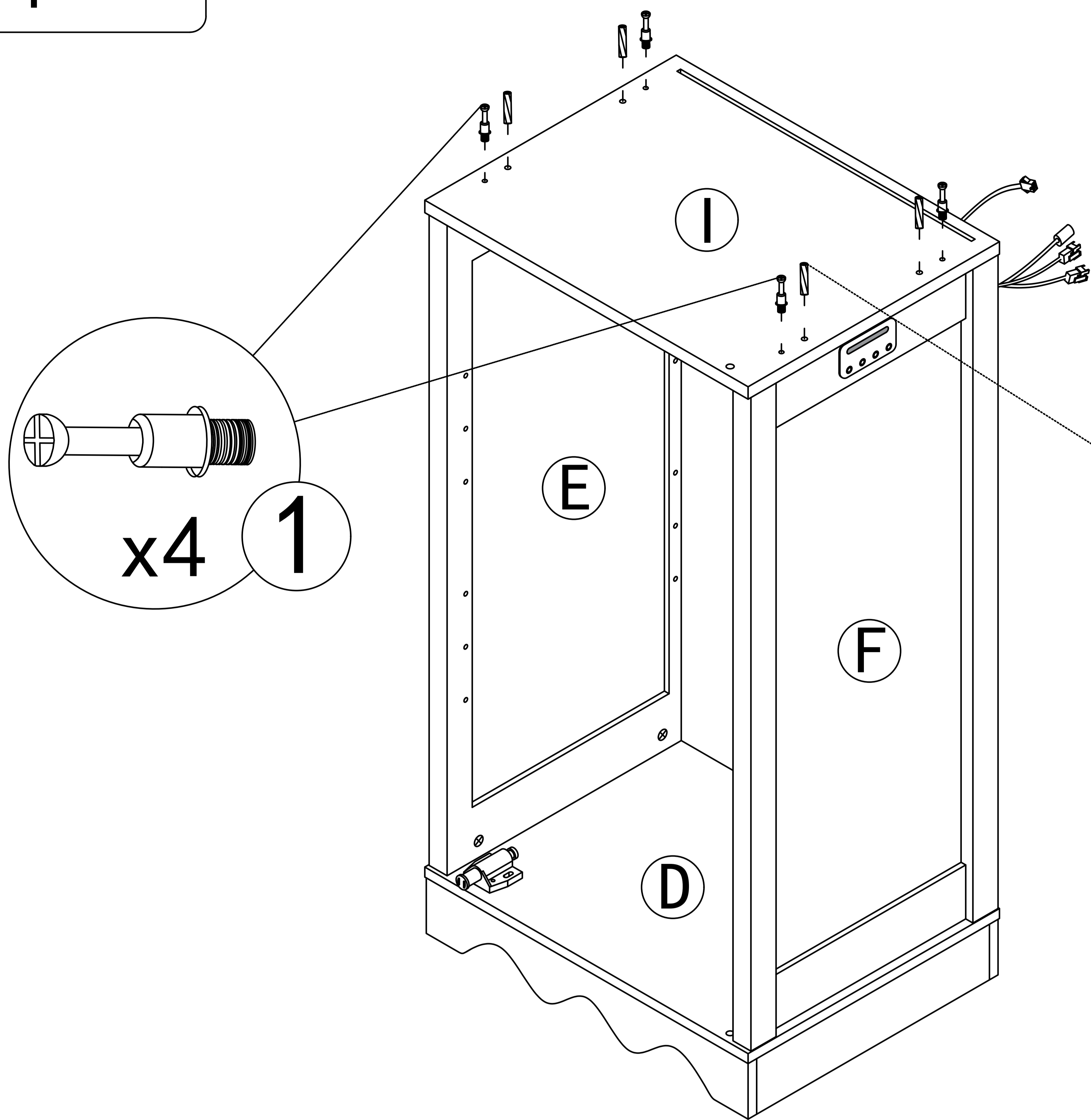
2



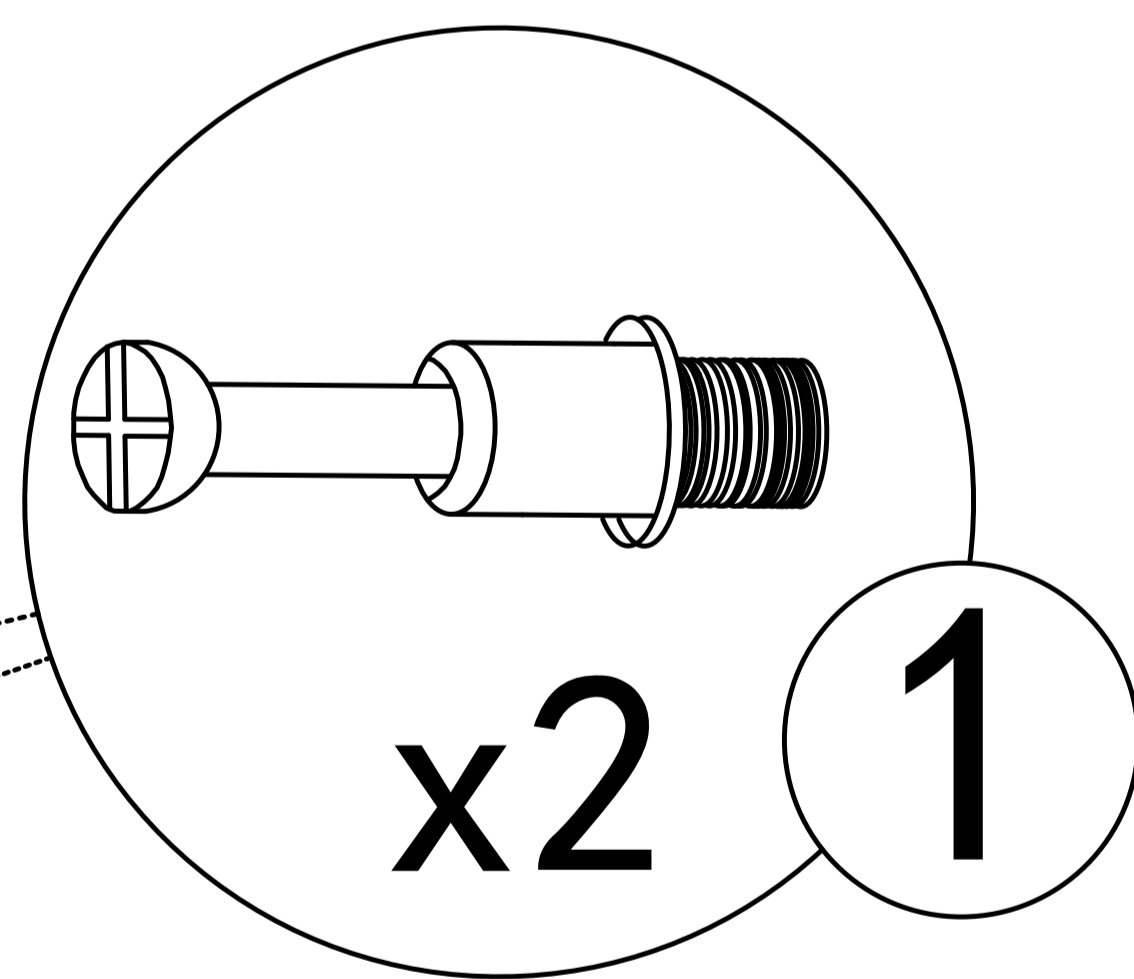
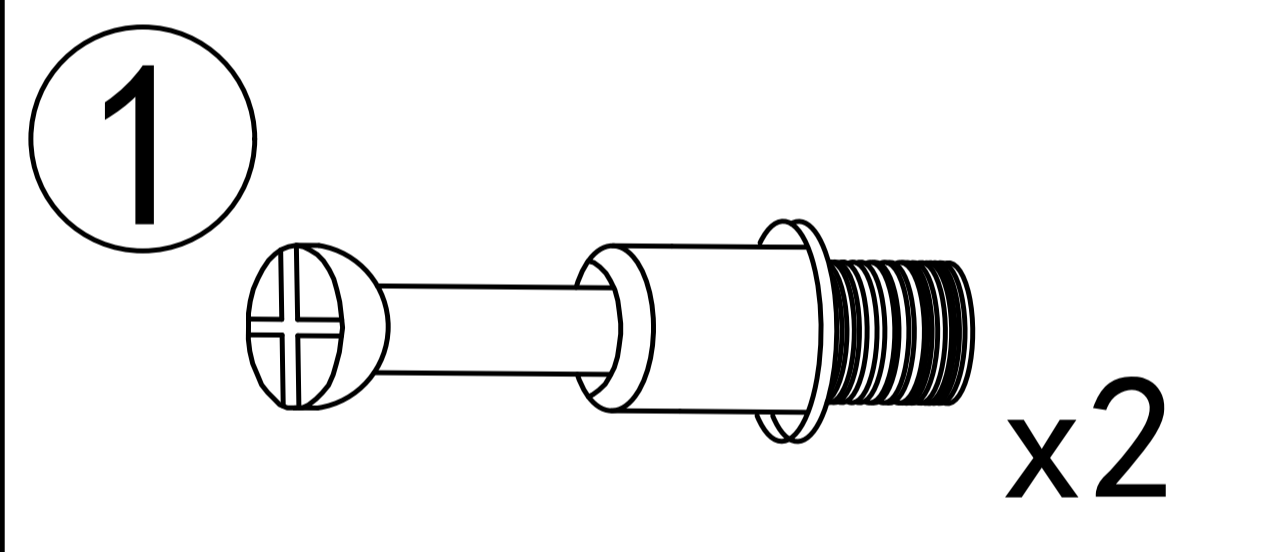
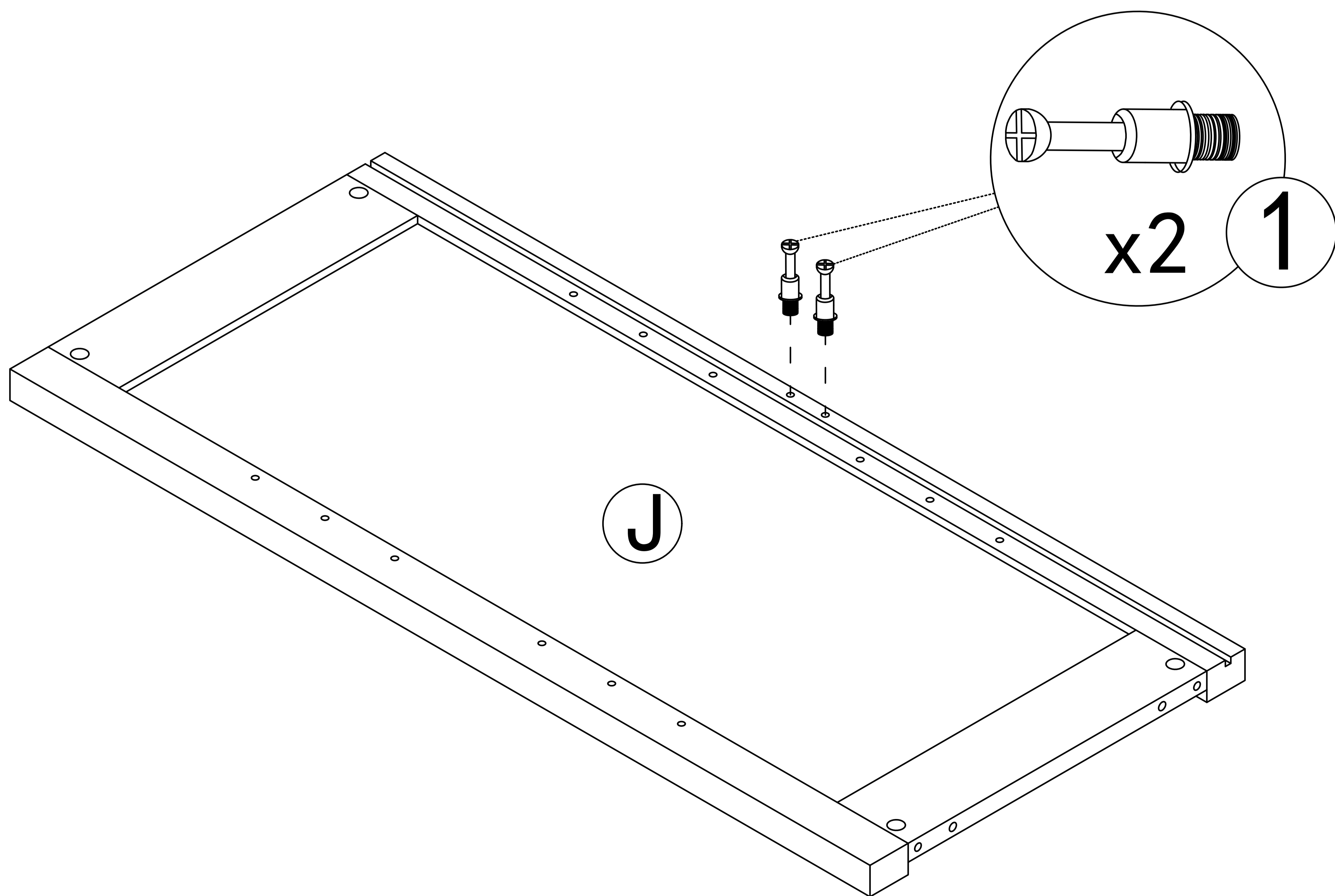
x4



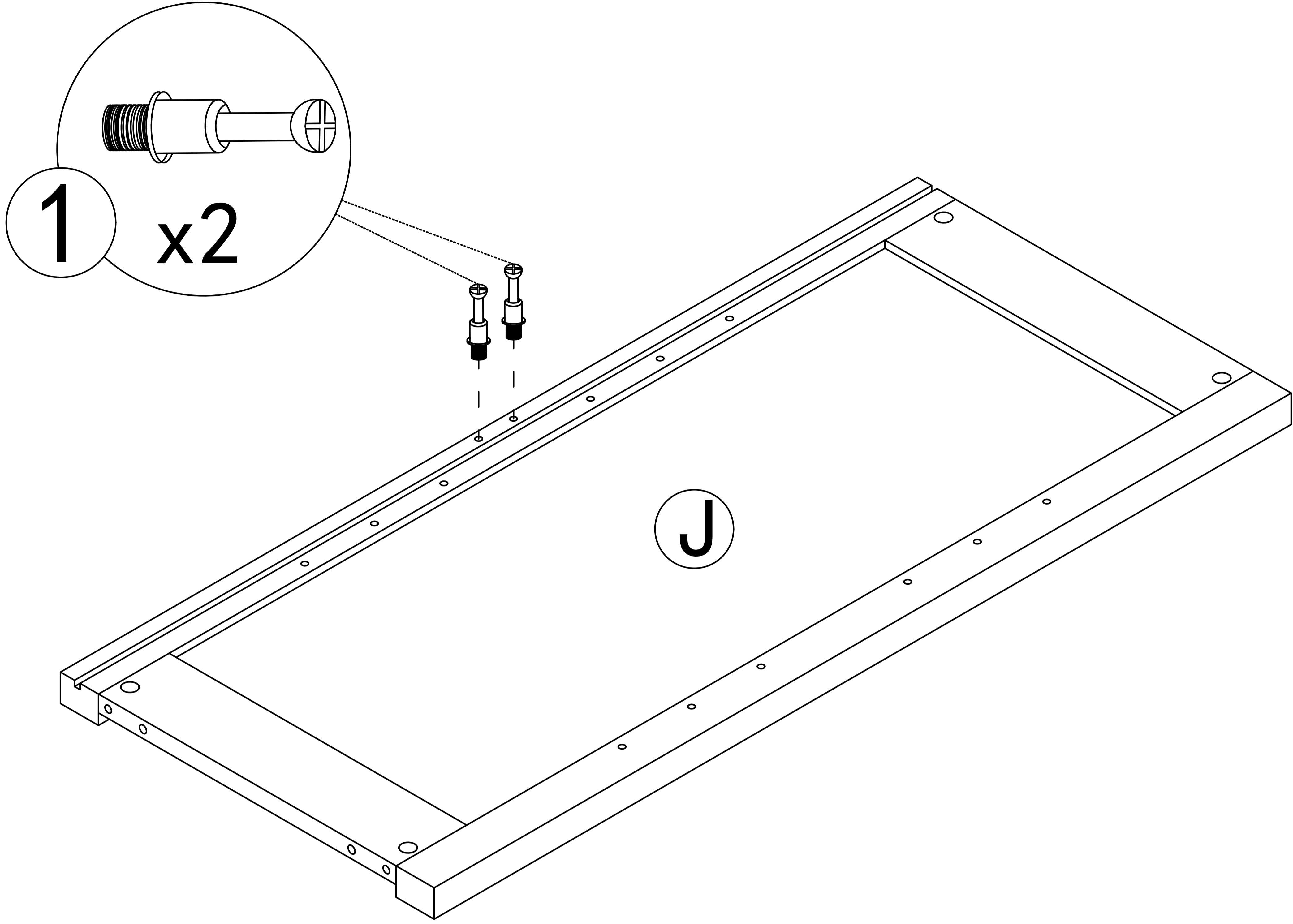
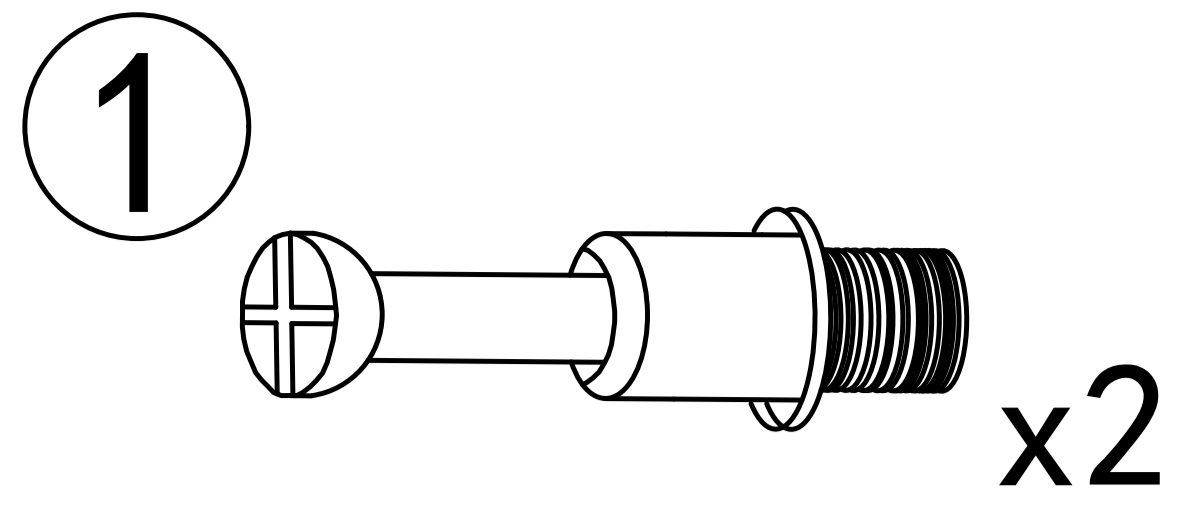
Step 16



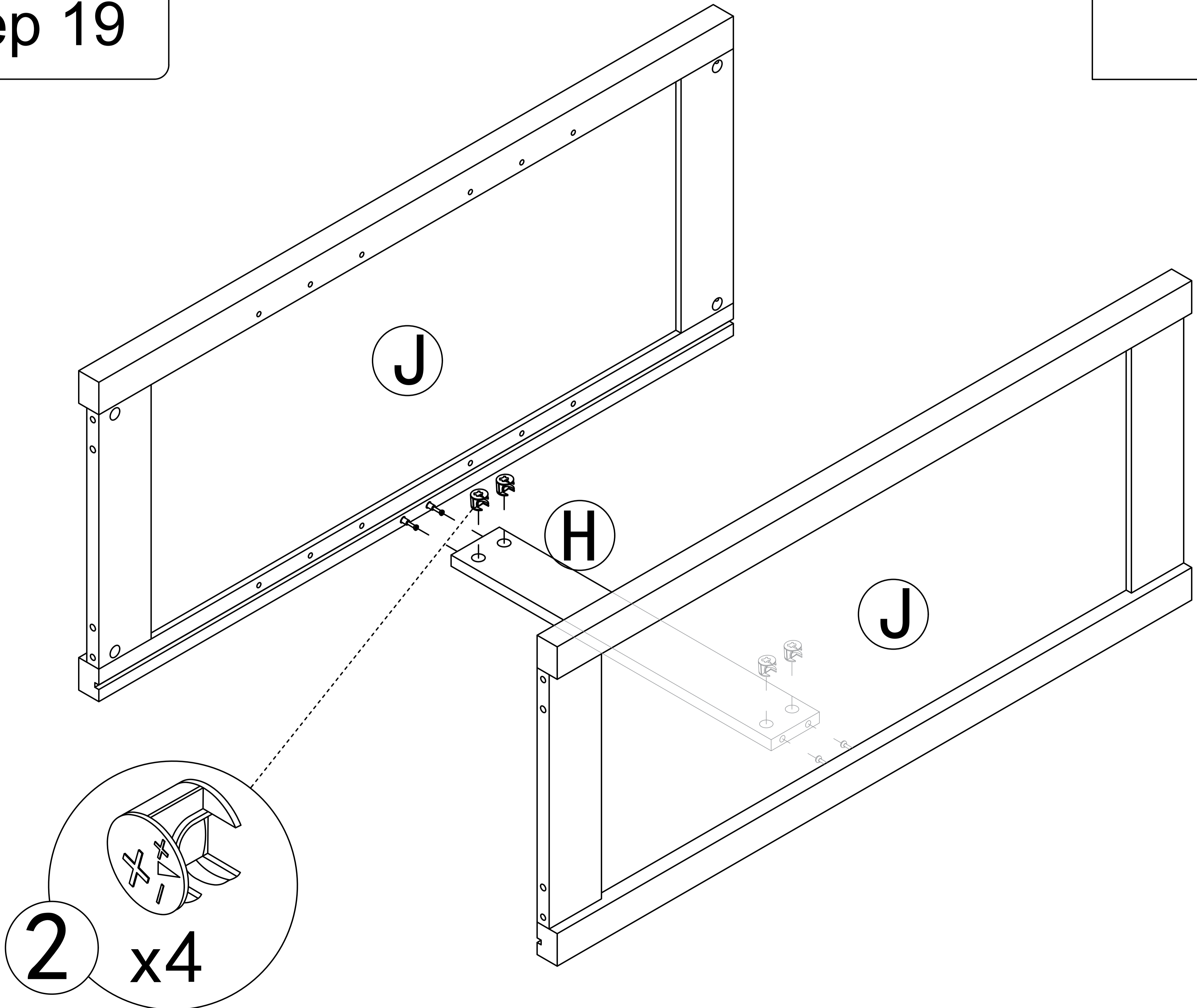
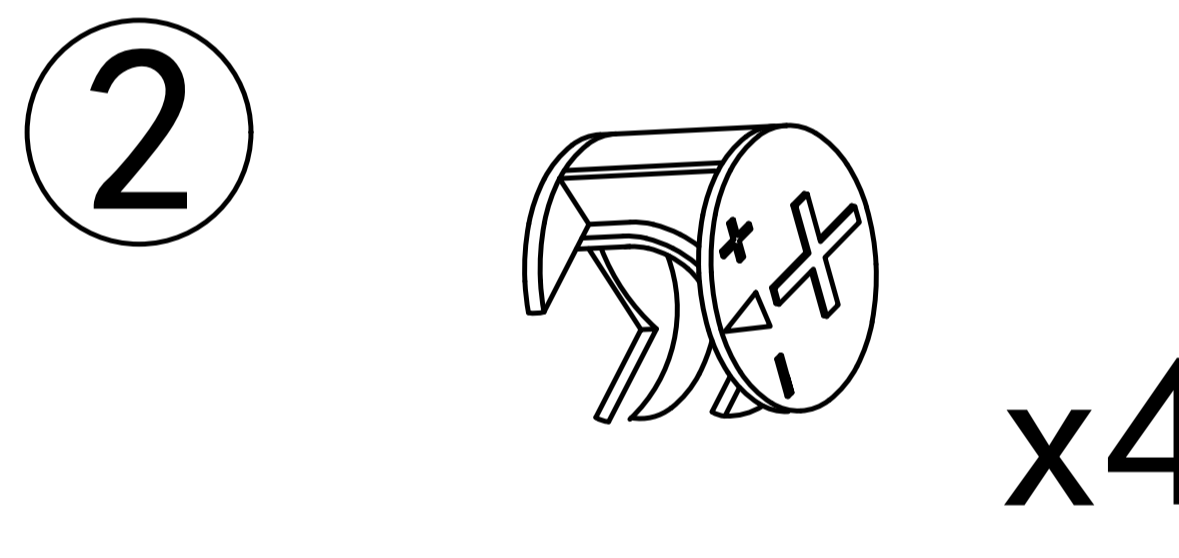
Step 17



Step 18

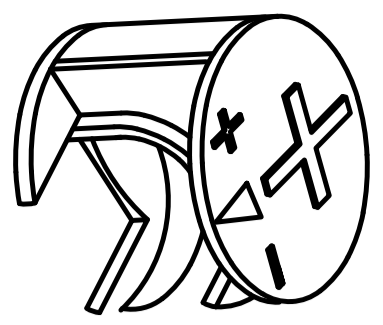


Step 19

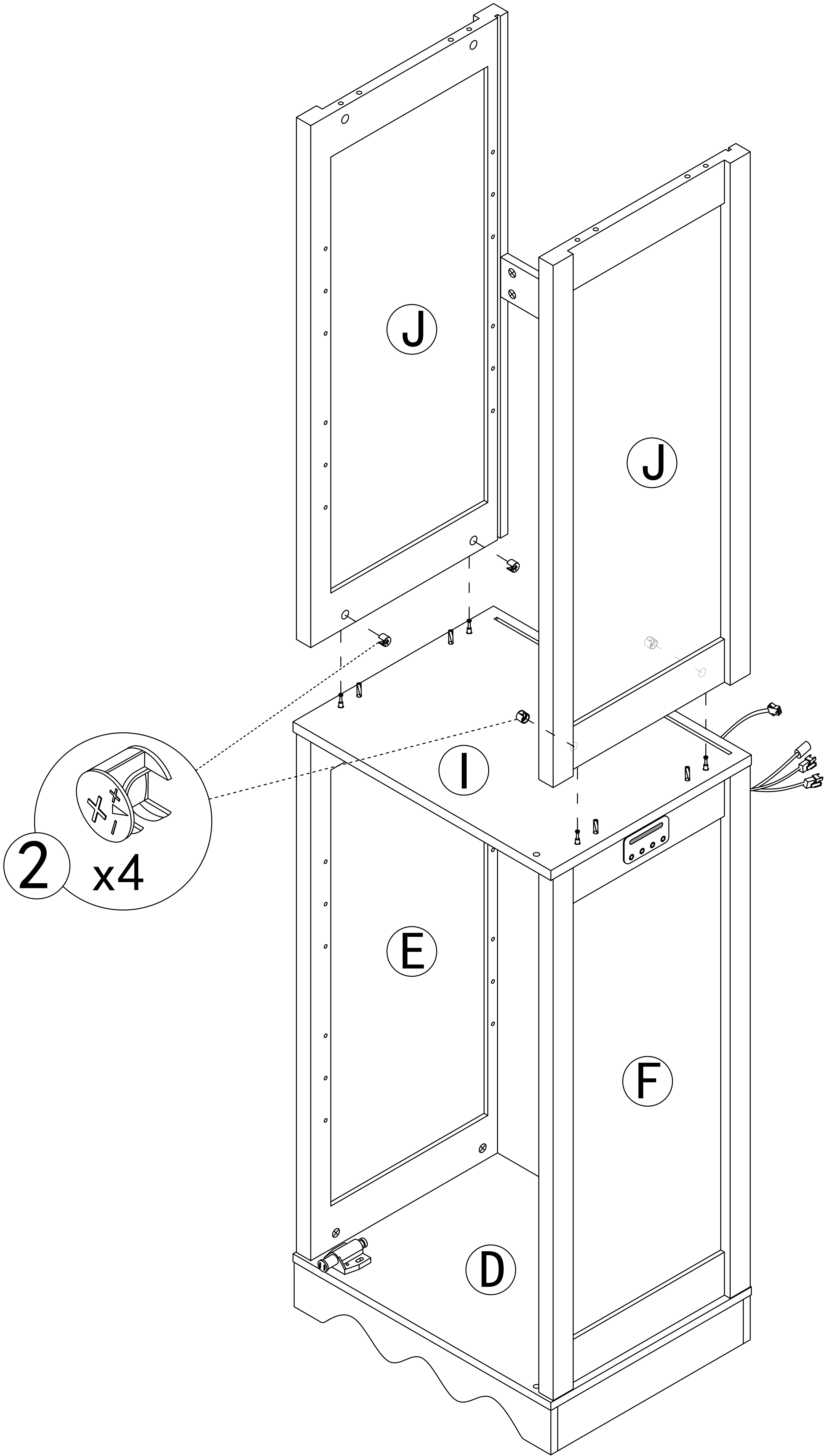


Step 20

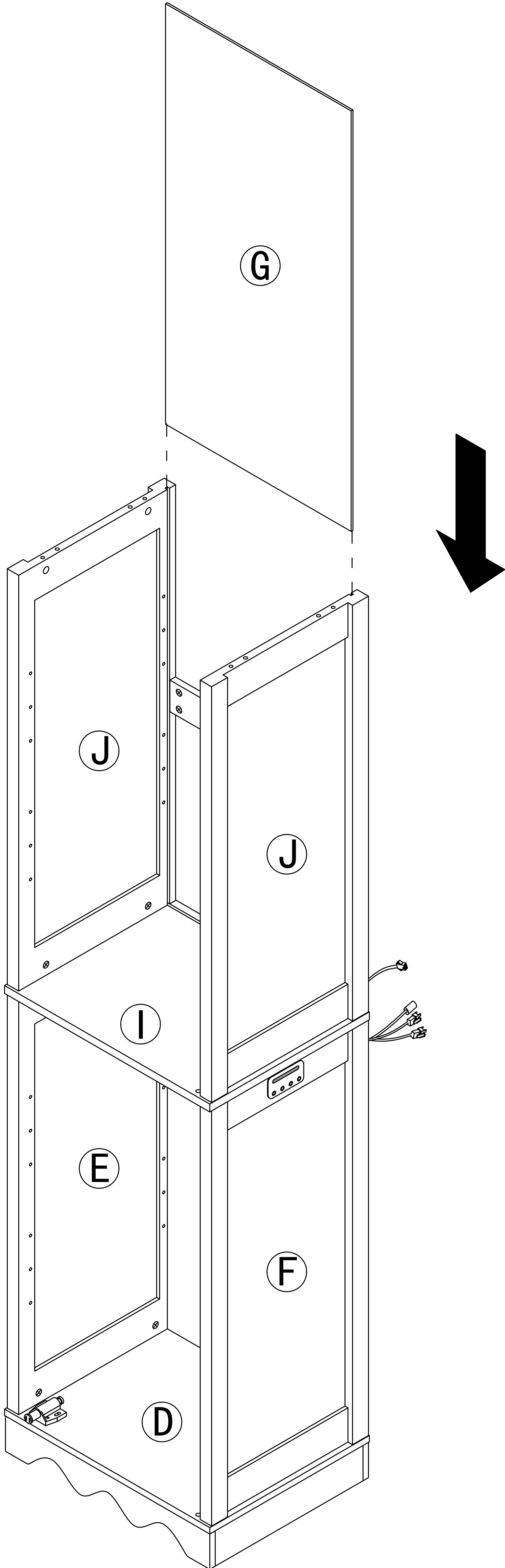
2



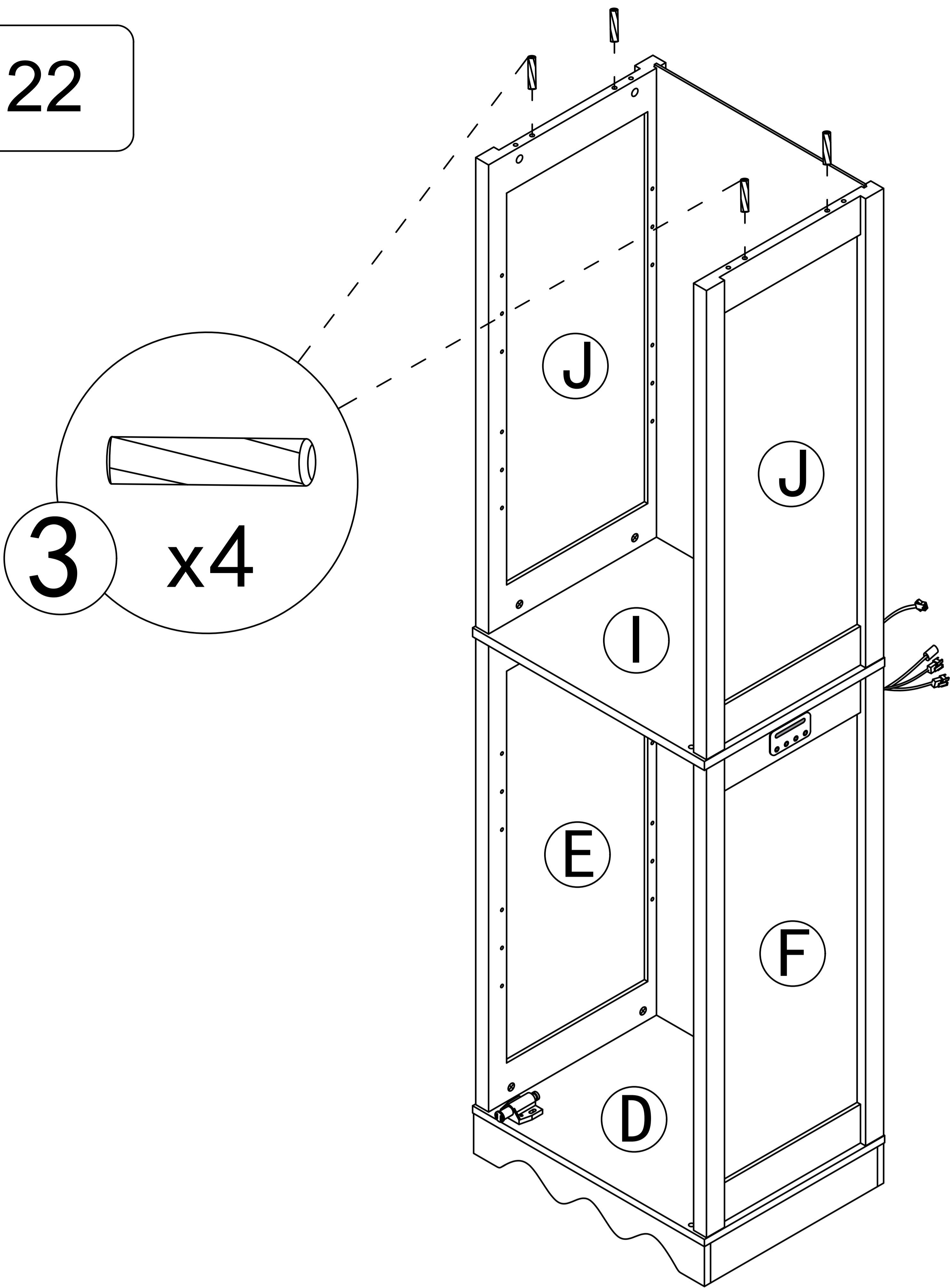
x4




Step 21

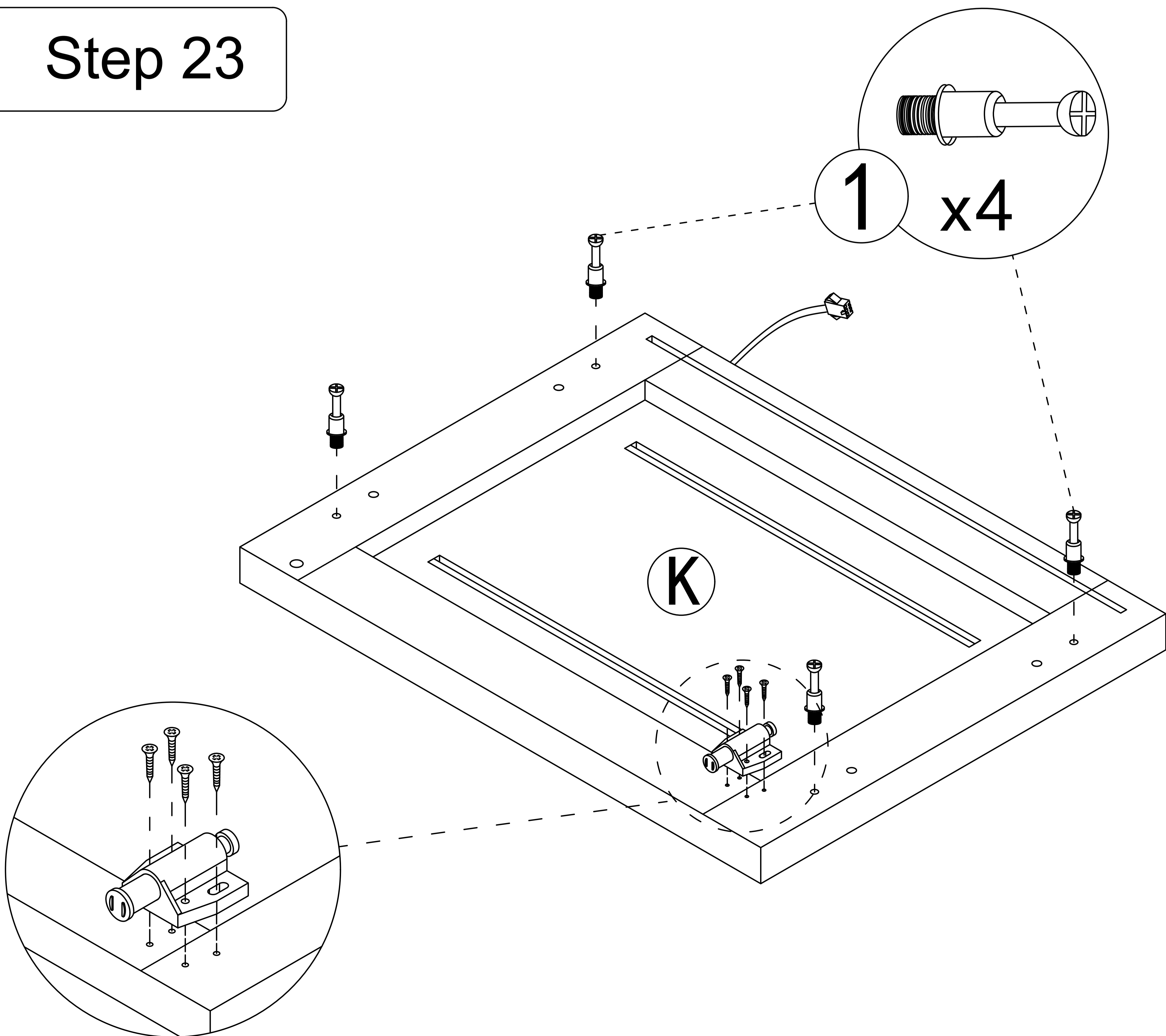


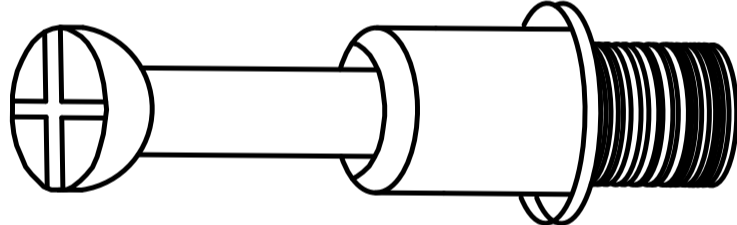
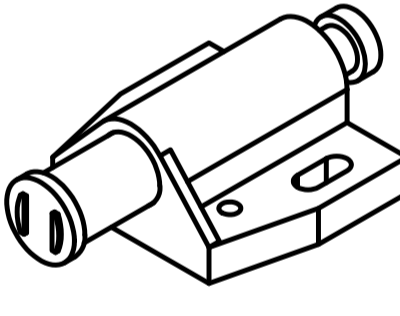
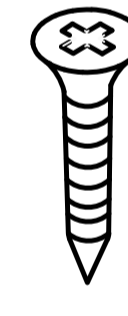
Step 22



- 3  x4

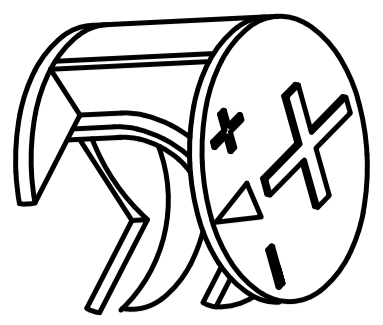
Step 23



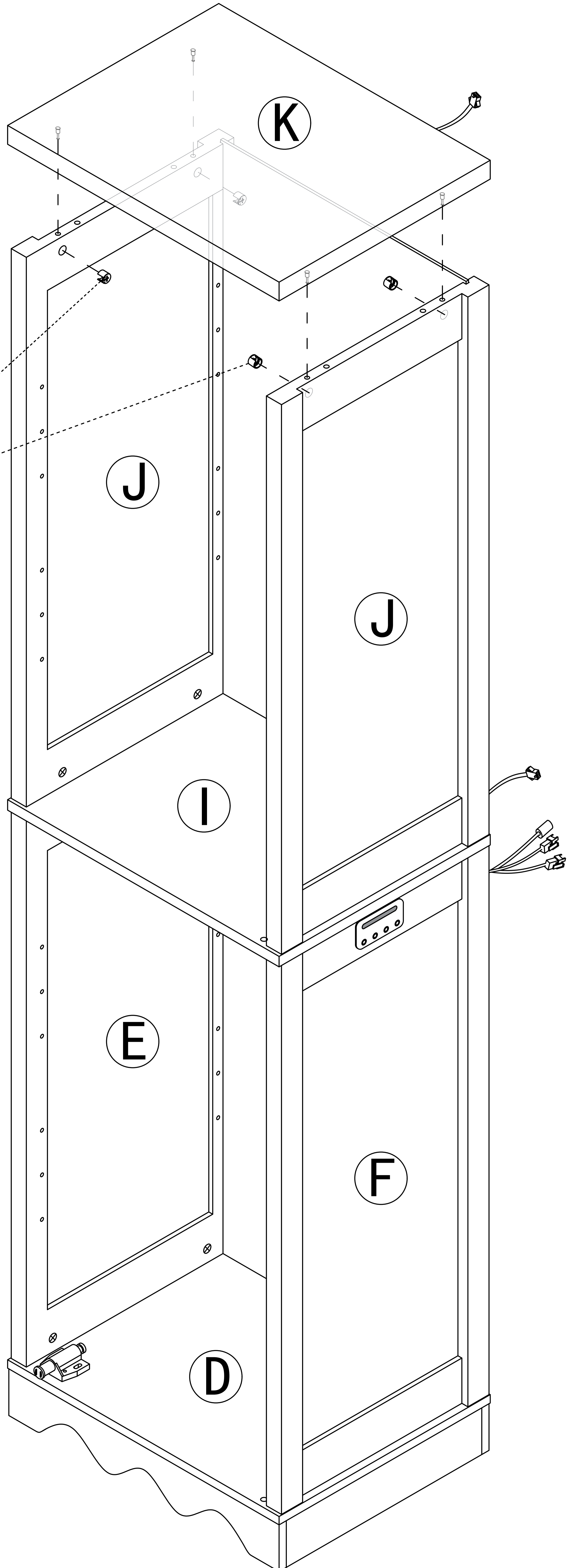
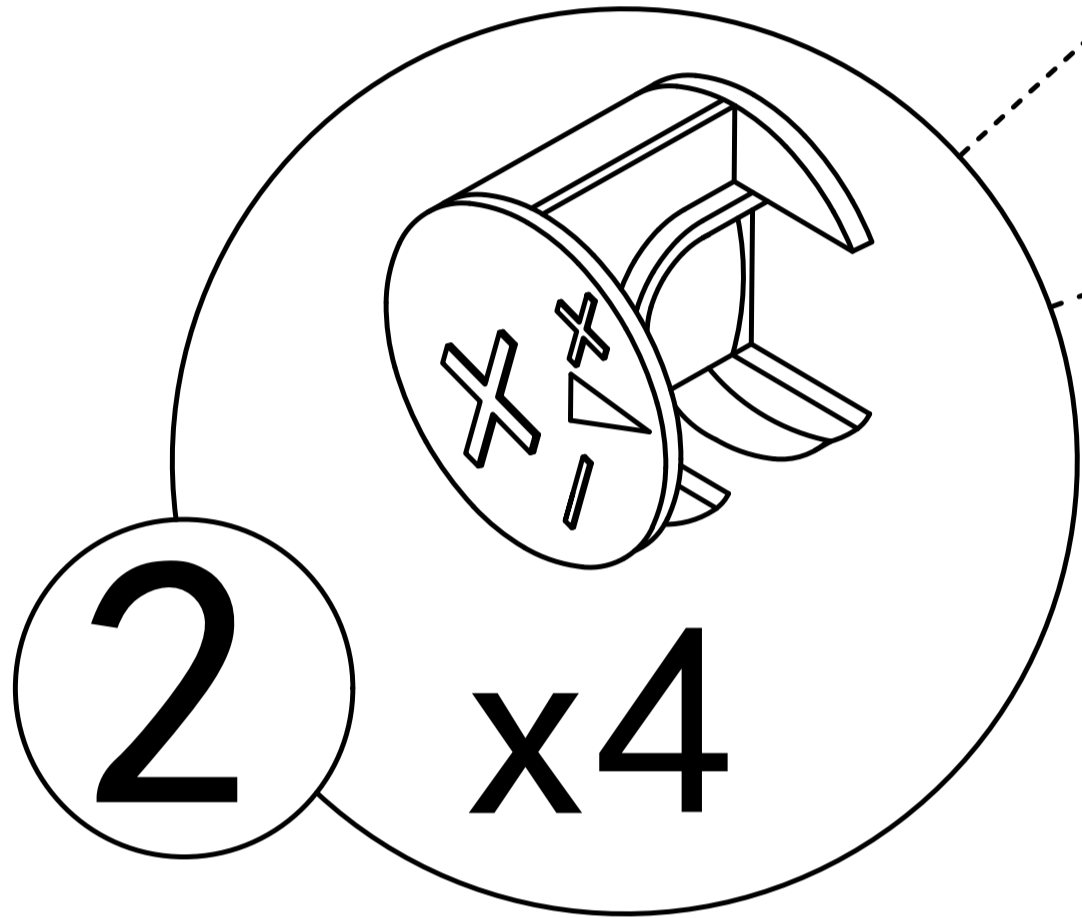
- 1  x4
- 8  x1  x4

Step 24

2

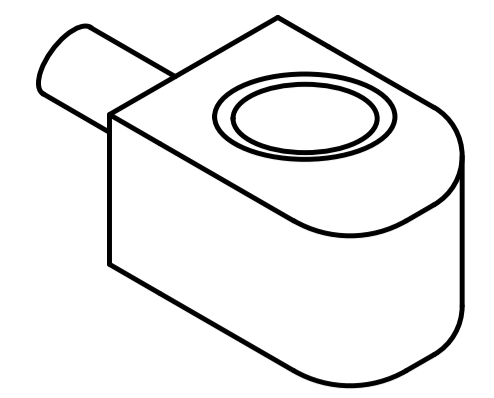


x4

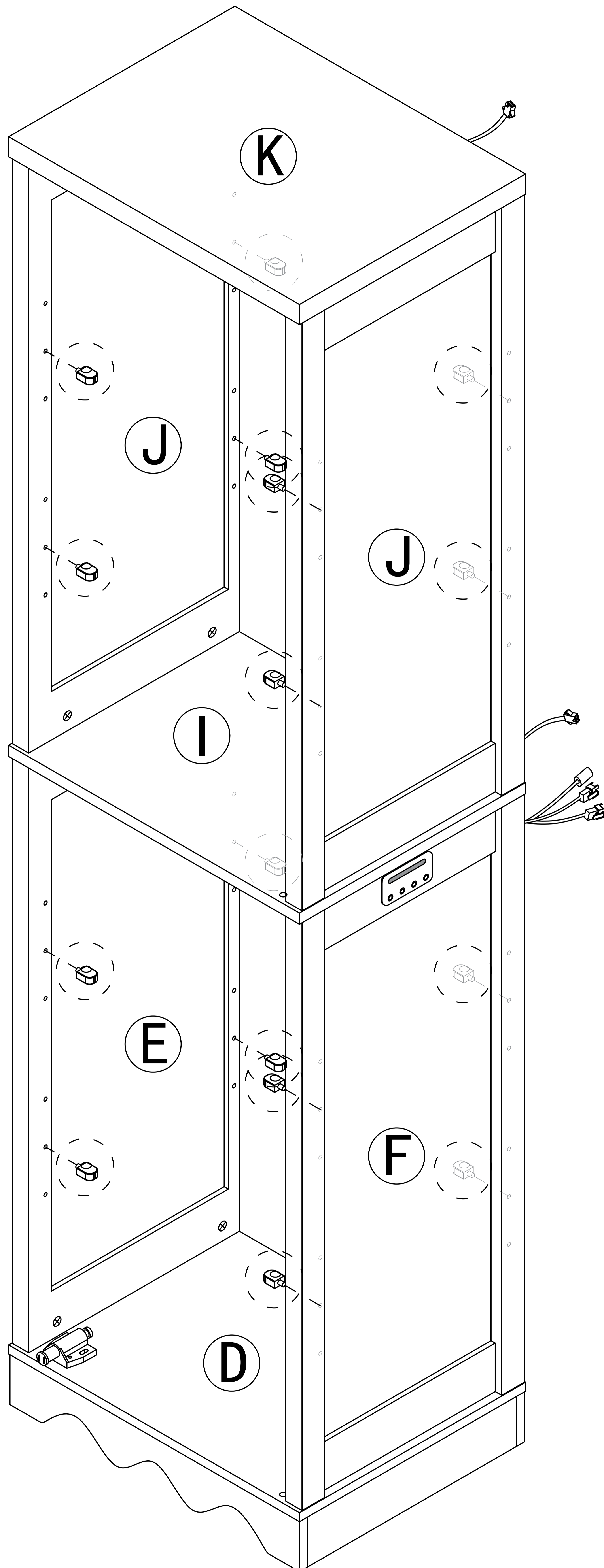


Step 25

7

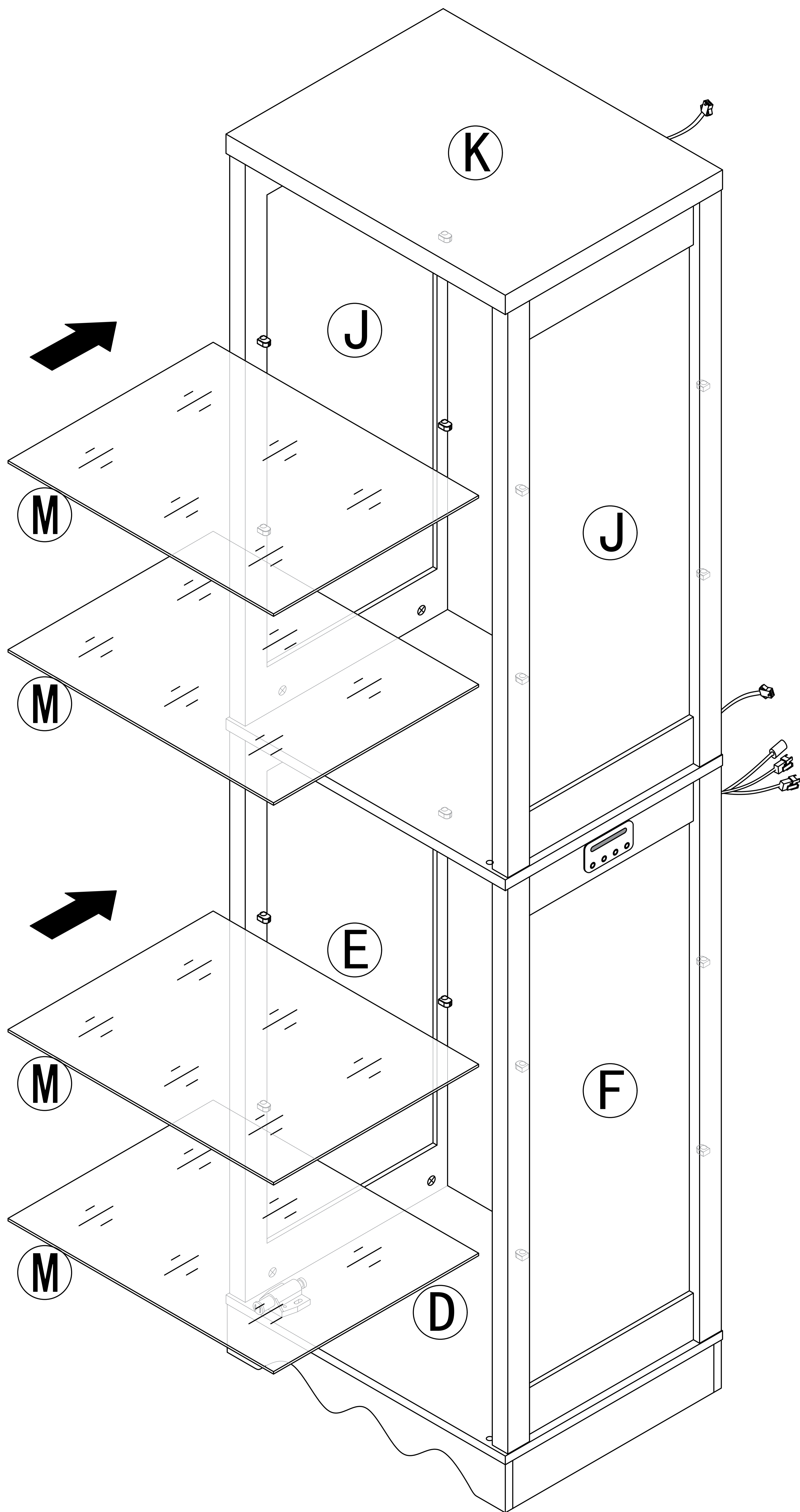


x16



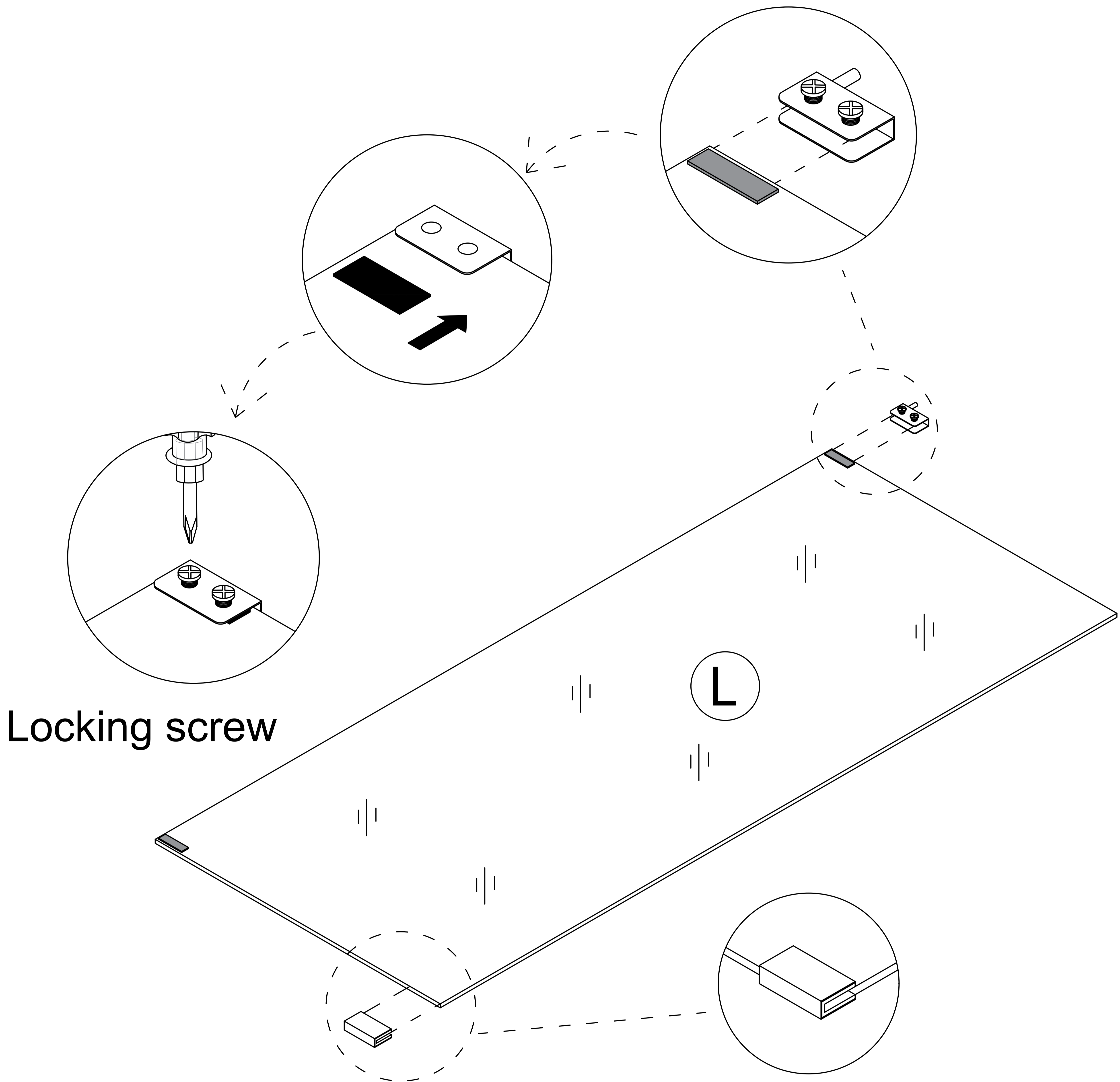
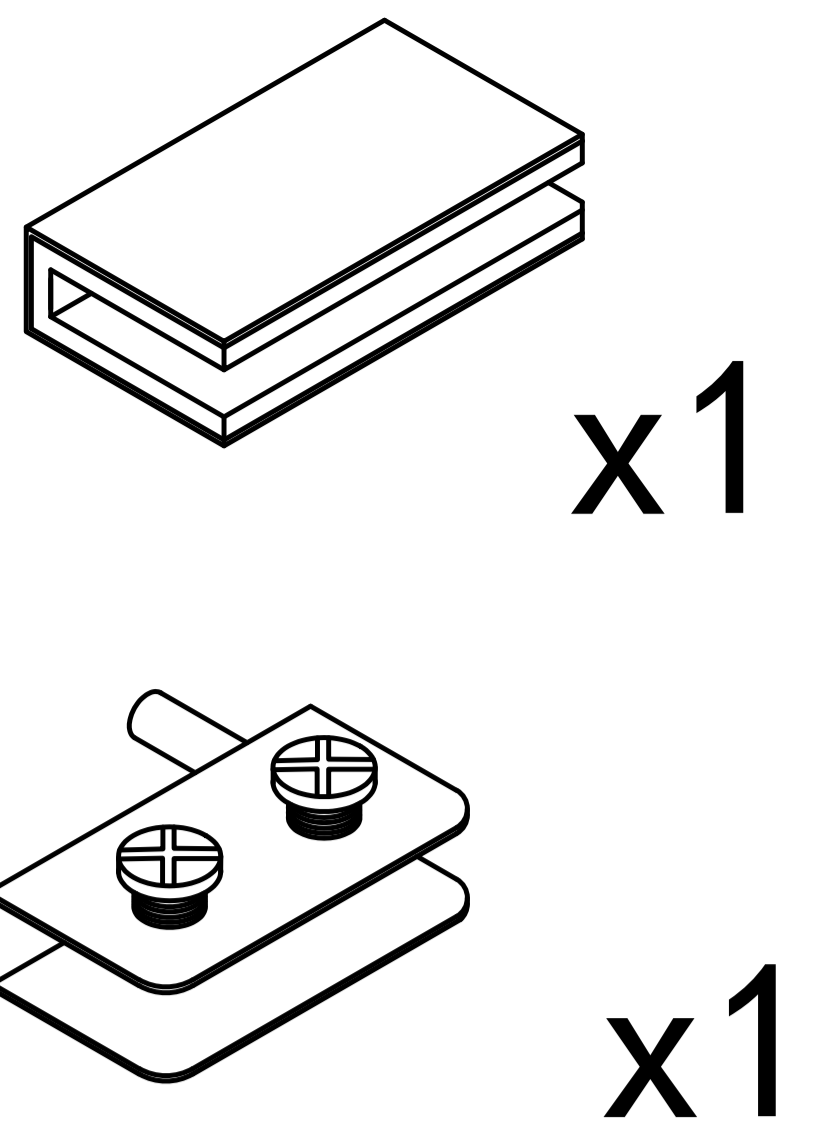
Adjust the position according to the actual usage situation

Step 26



Step 27

8

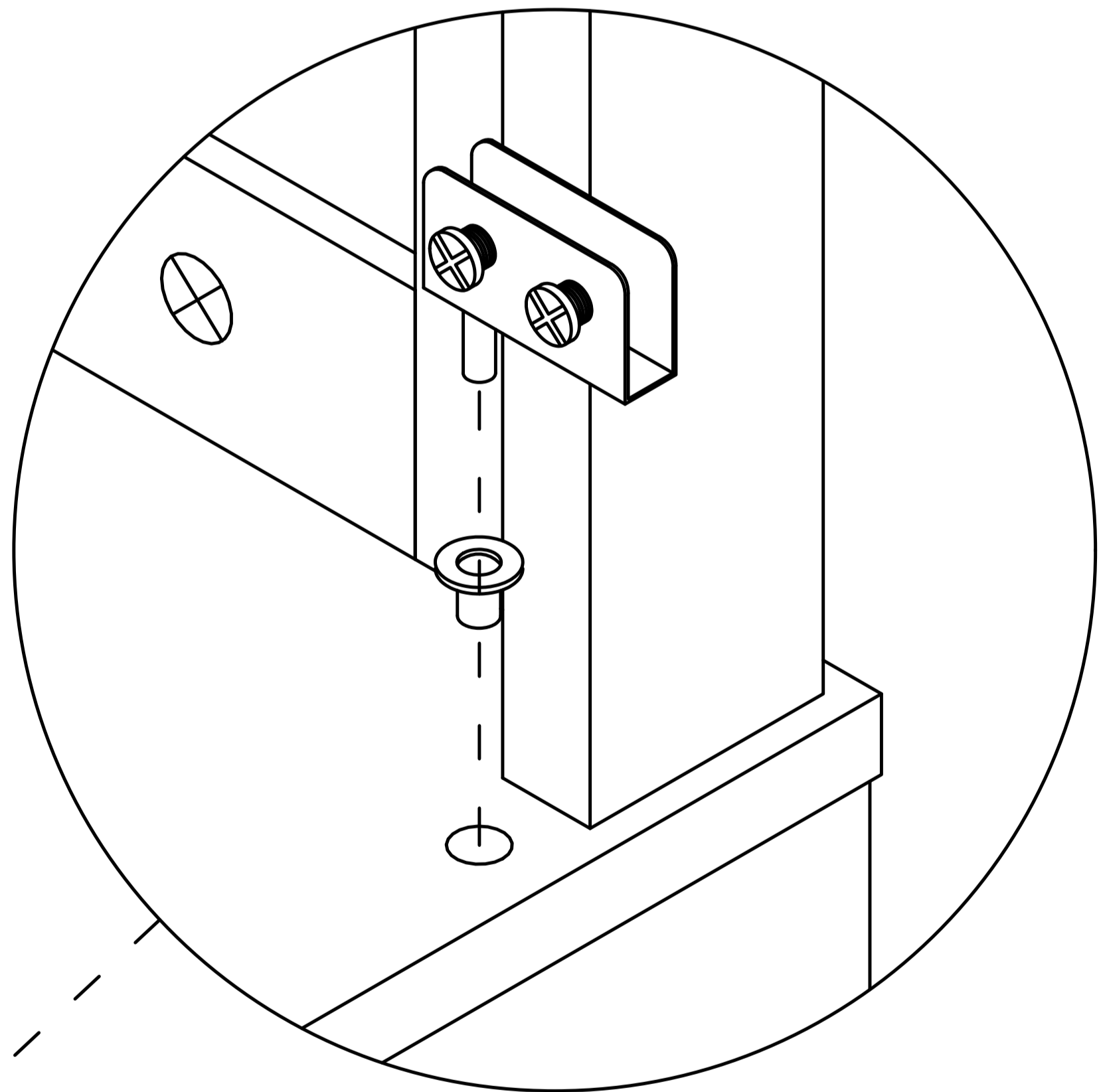
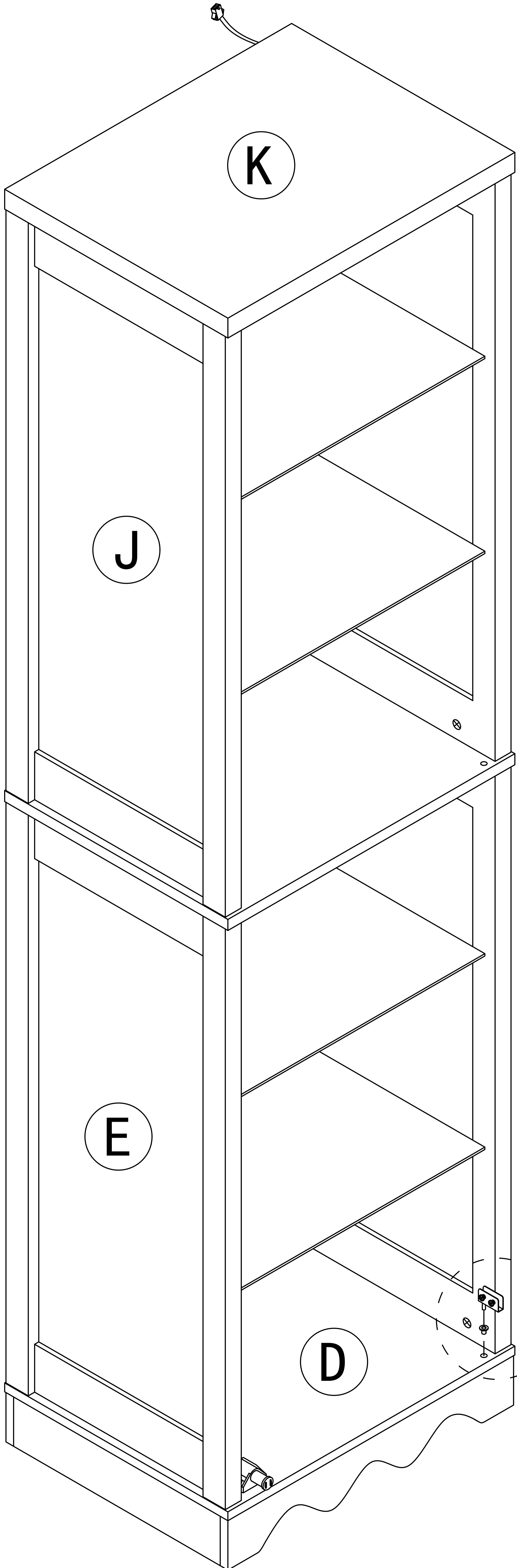
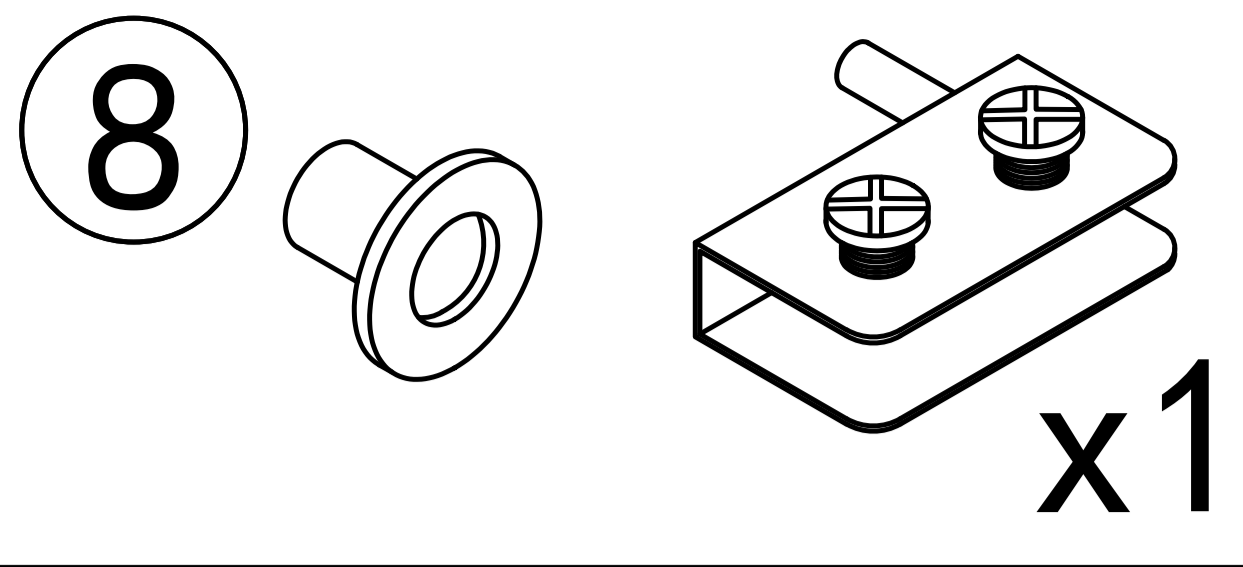


Locking screw

Pay attention to the direction of the door hinge, rotate the screws to compress the black gasket, and do not place it in the opposite direction

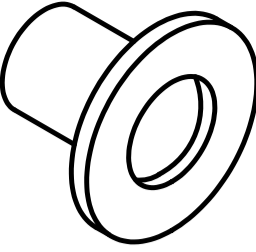
Place the black gasket on the side where the screws are installed

Step 28

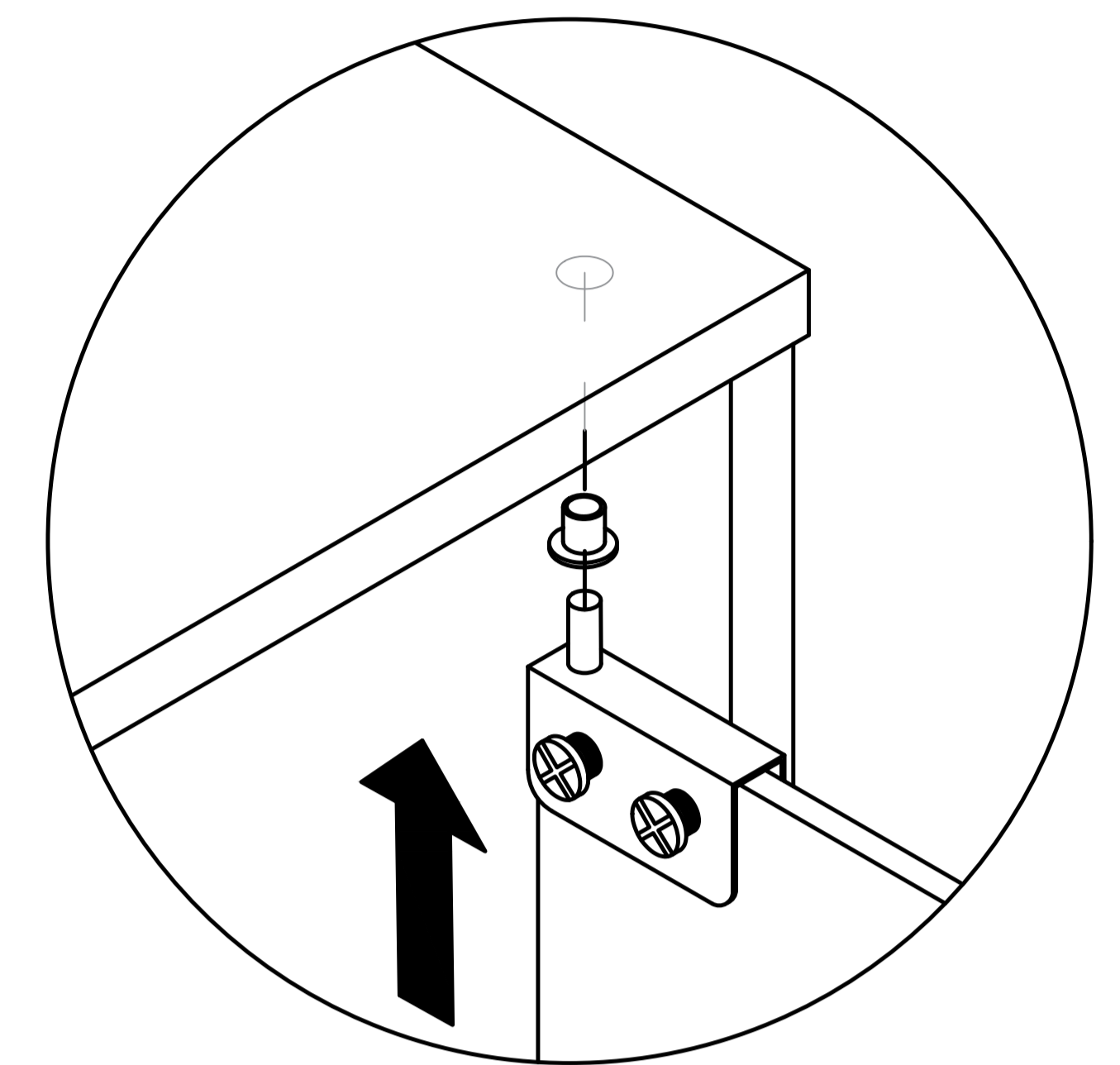
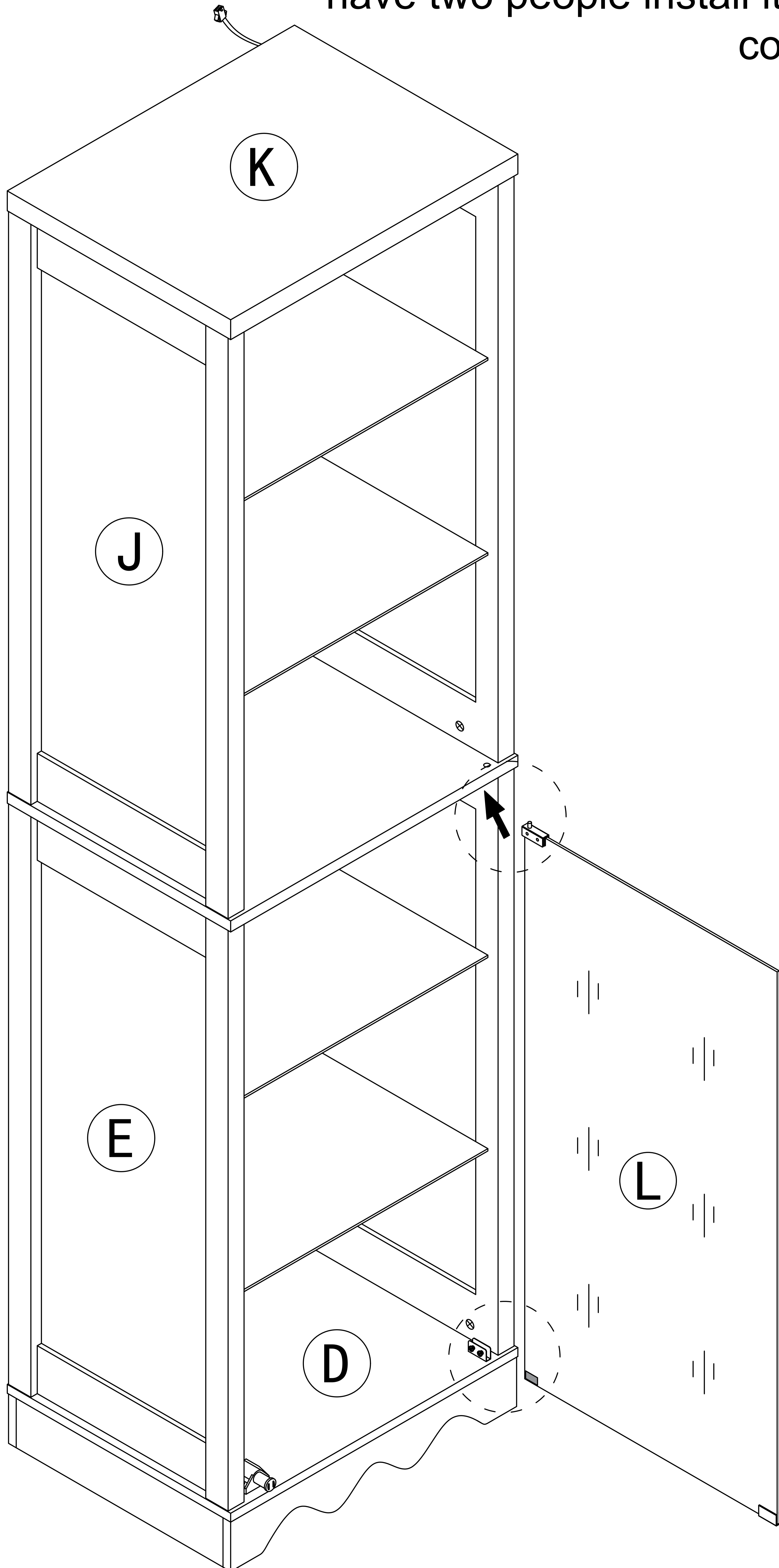


Step 29

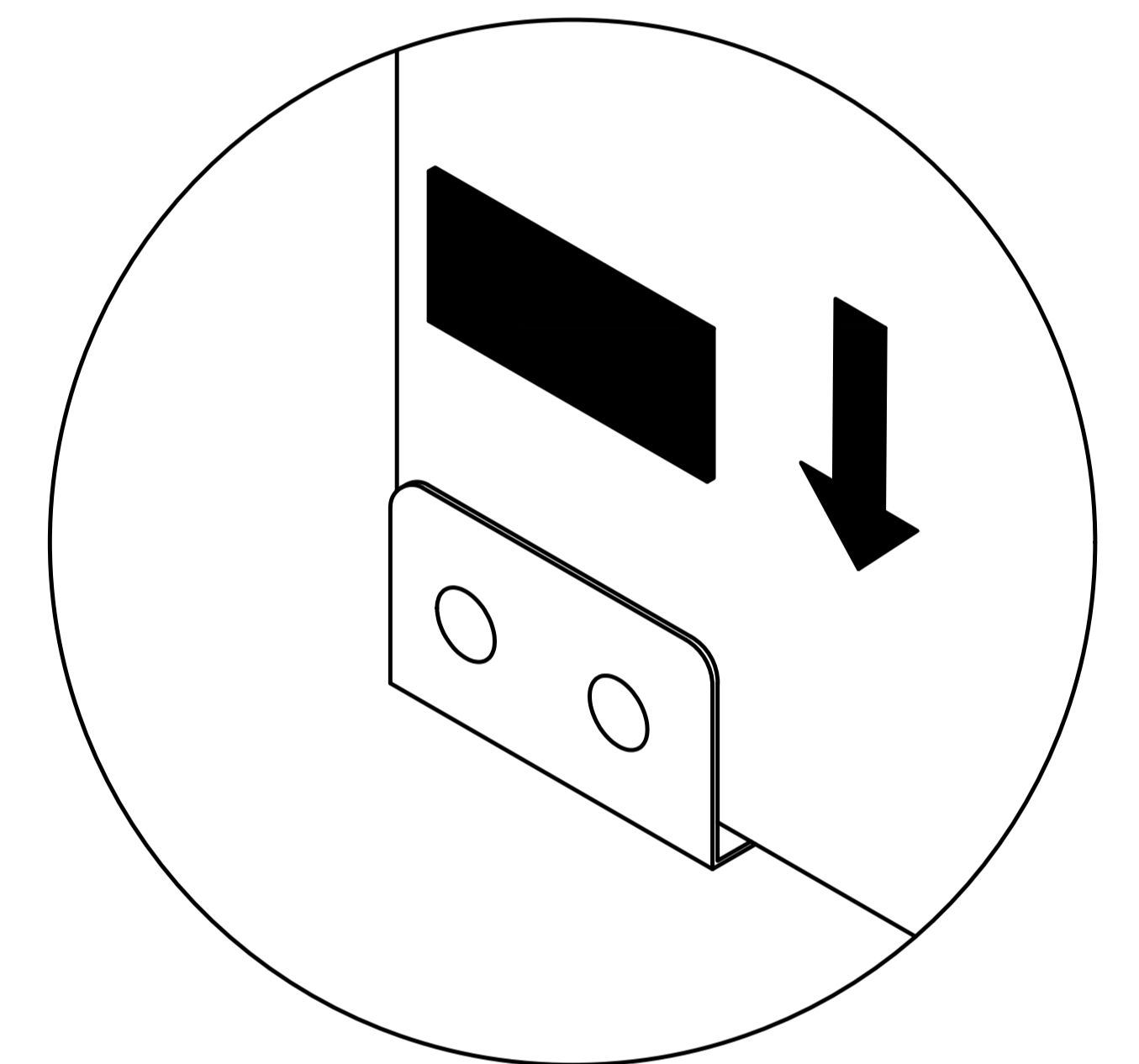
Pay attention to the direction of the door hinge during installation

8  x1

When installing a glass door, it is recommended to have two people install it to avoid the glass door colliding or hitting oneself.

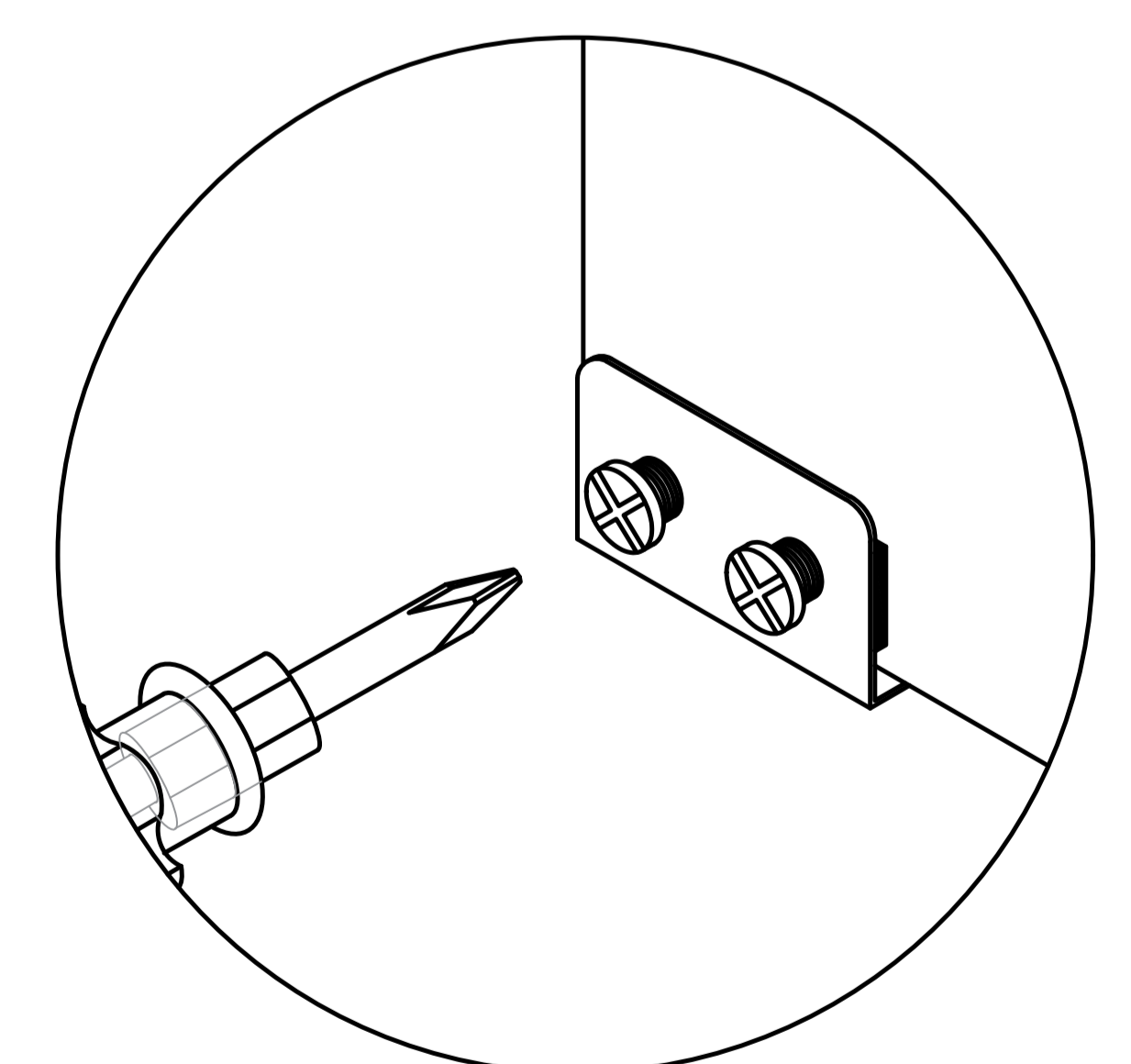


first



second

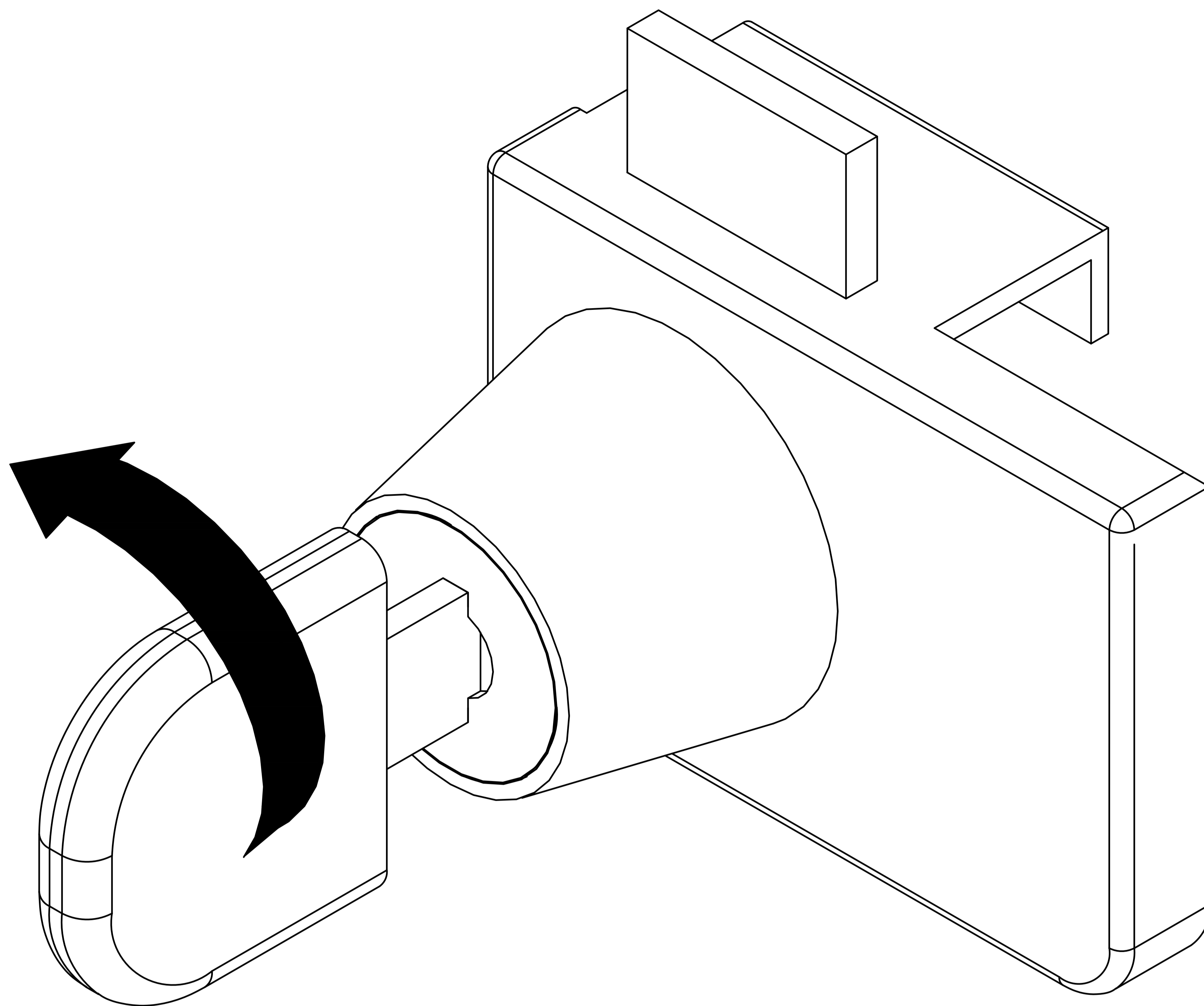
After installing the glass door, place the black gasket on the side where the screws are installed



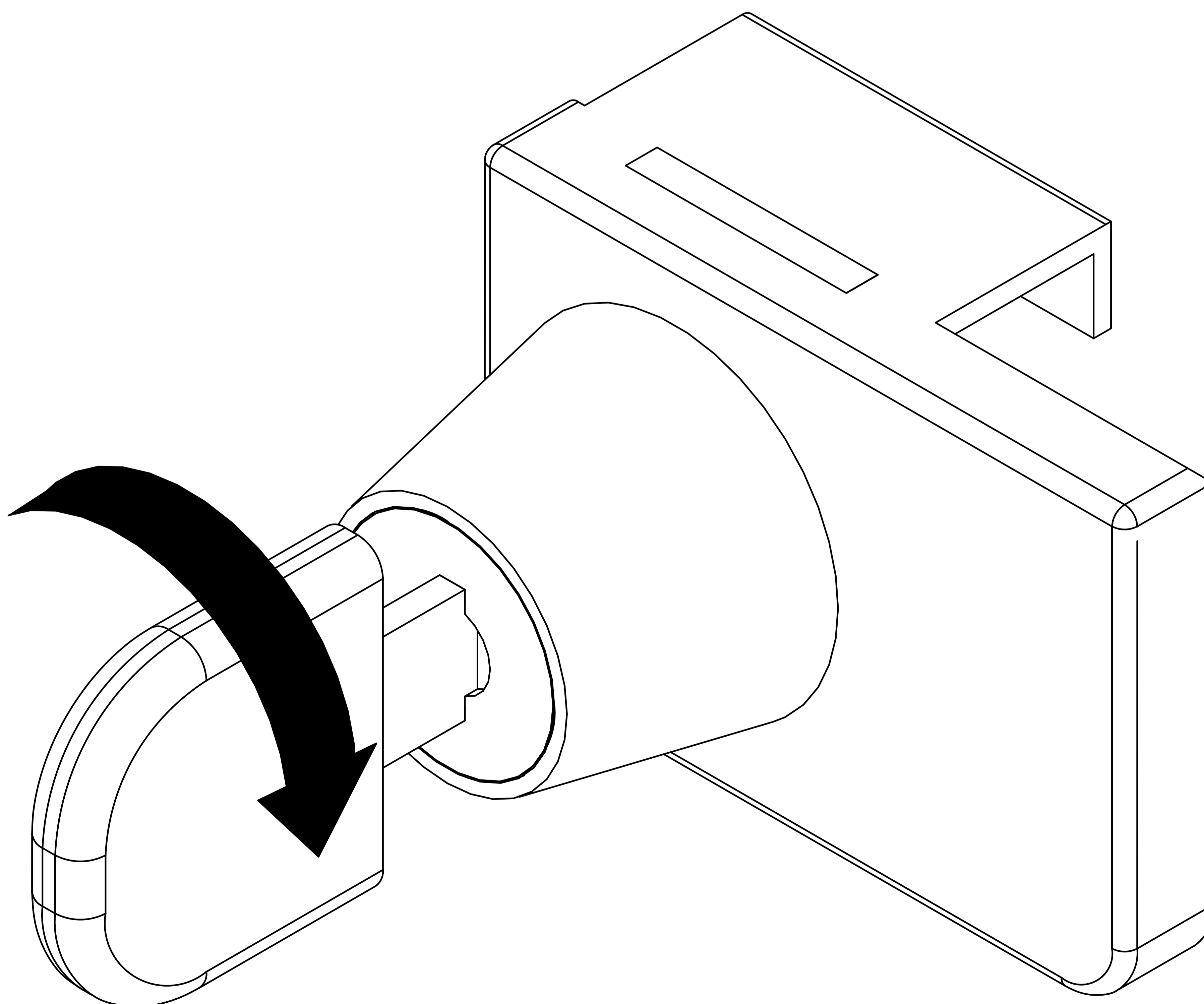
third

Locking screw

Tip: Turning the door lock to the right will close it

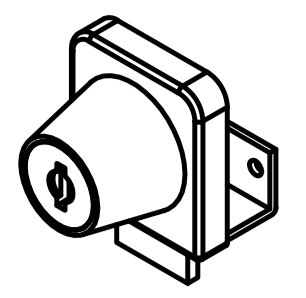


Tip: Turning the door lock to the left opens it

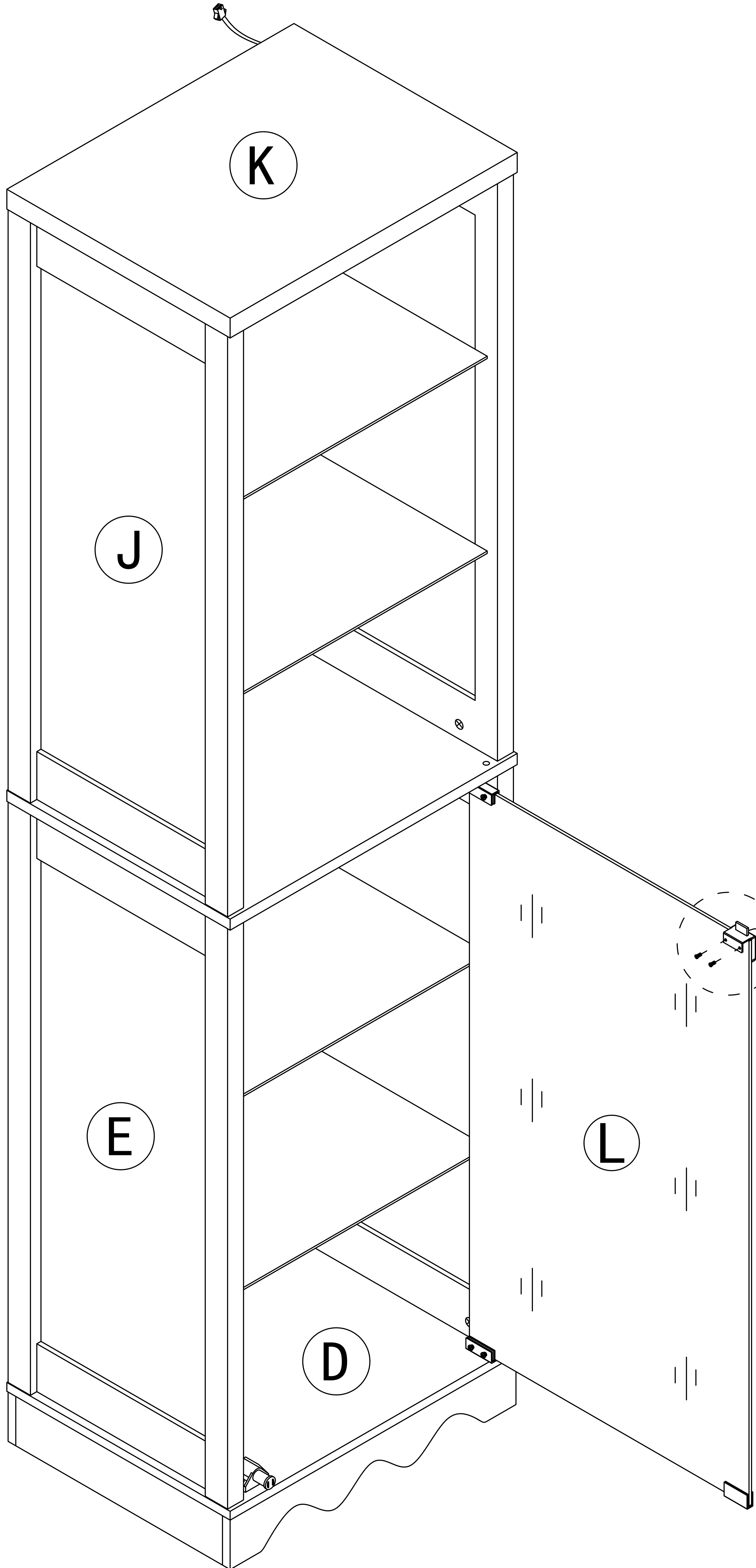


Step 30

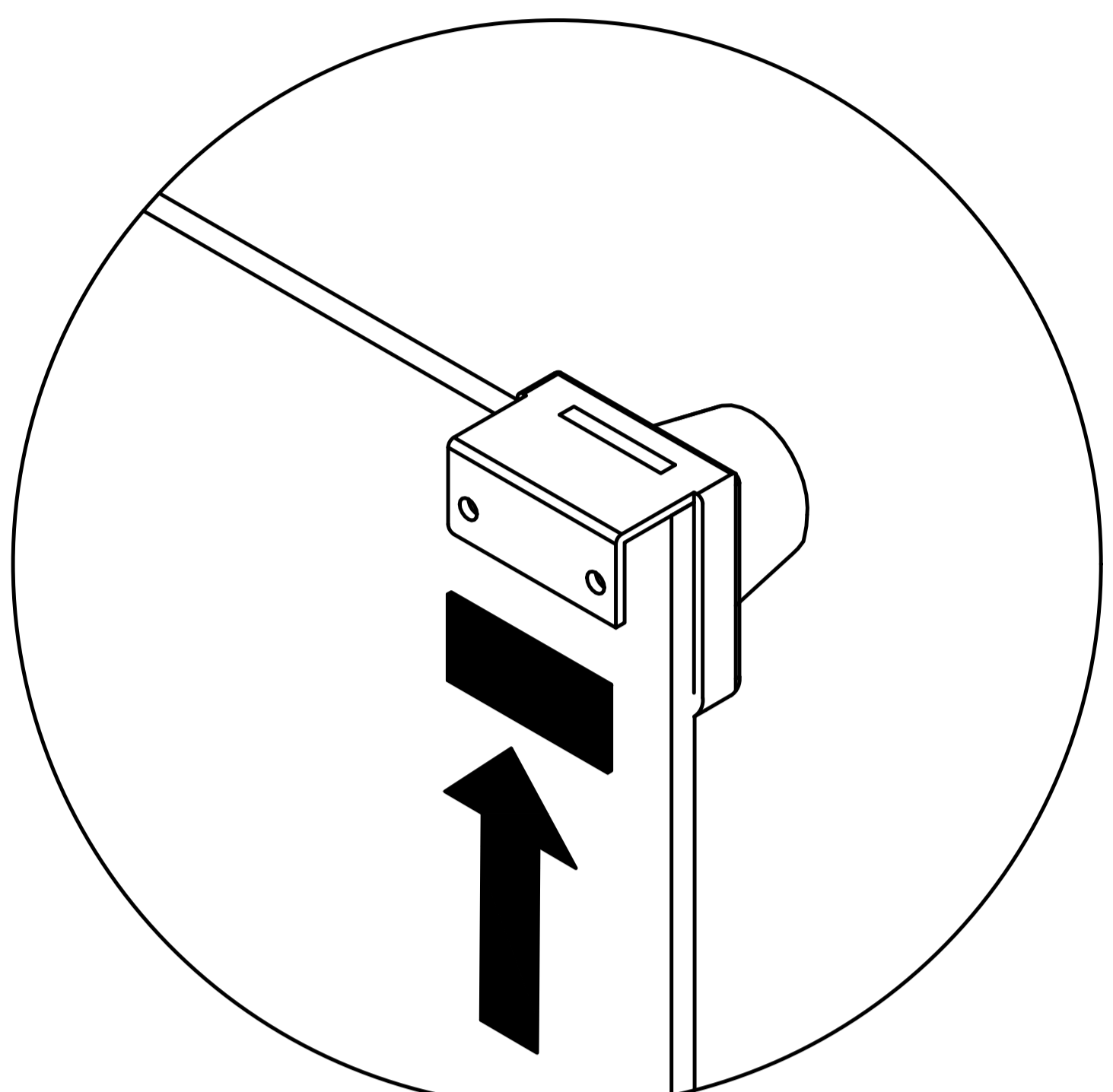
10



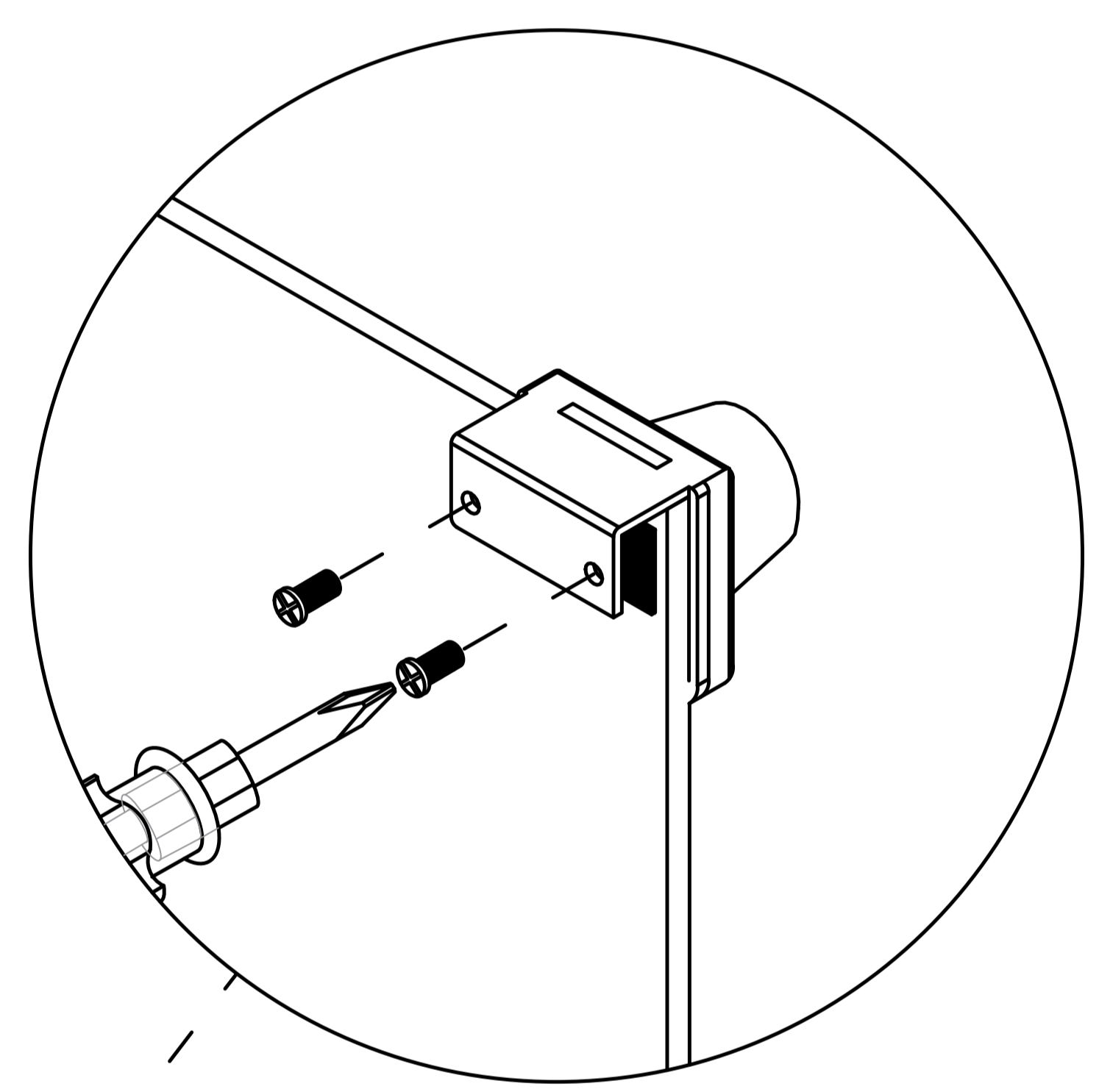
x1



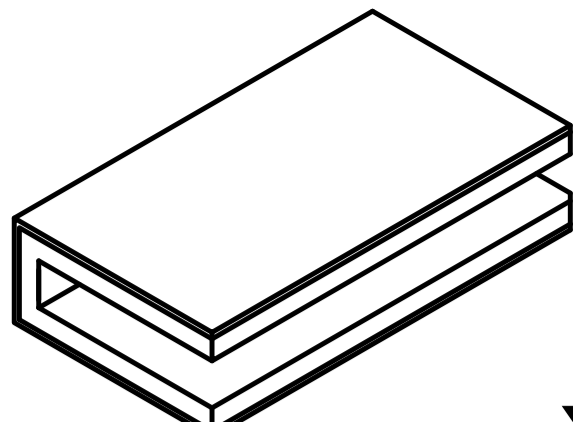
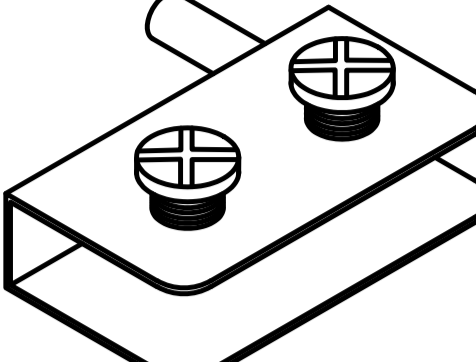
first

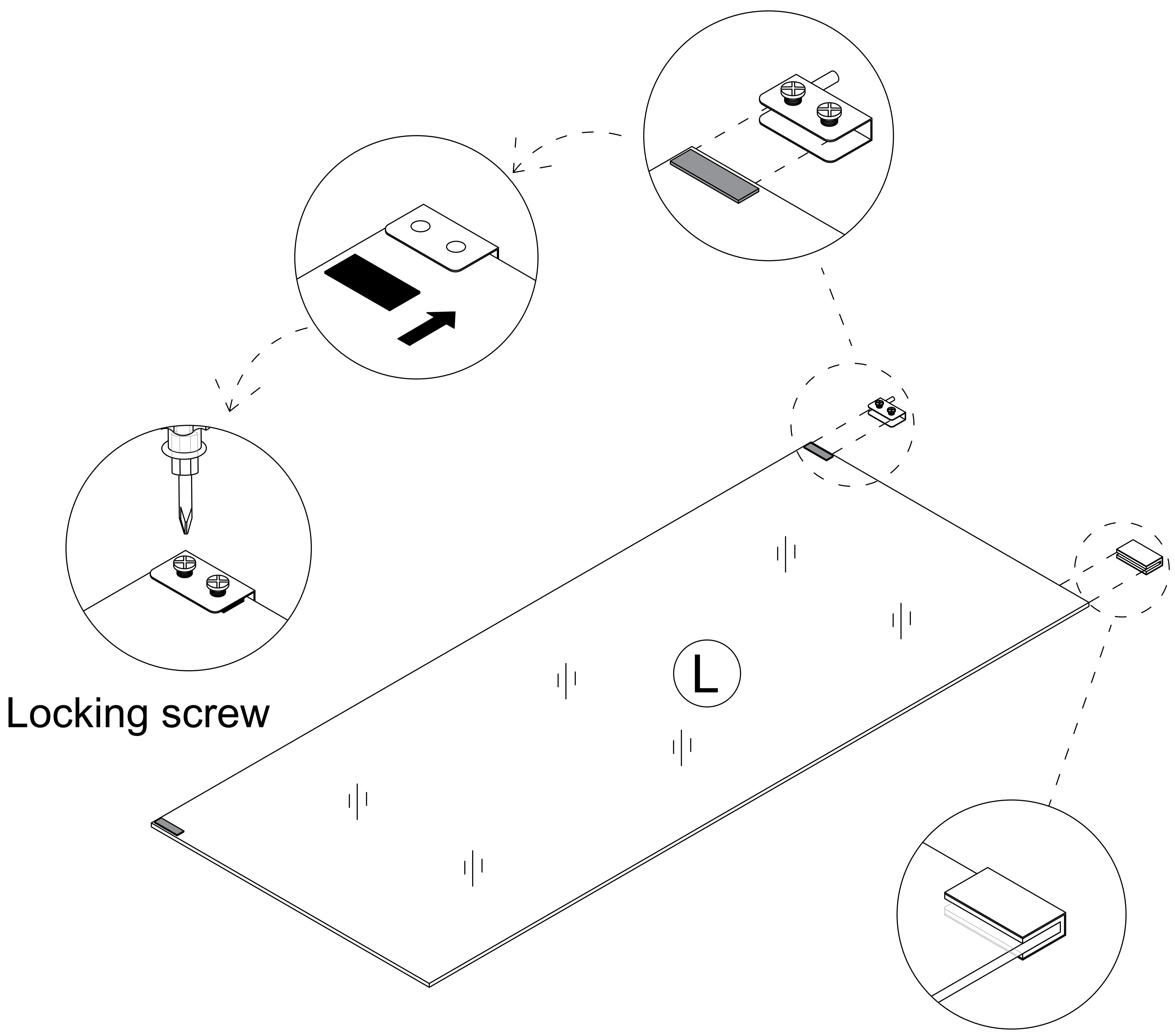


second



Step 31

- 8  x1
-  x1

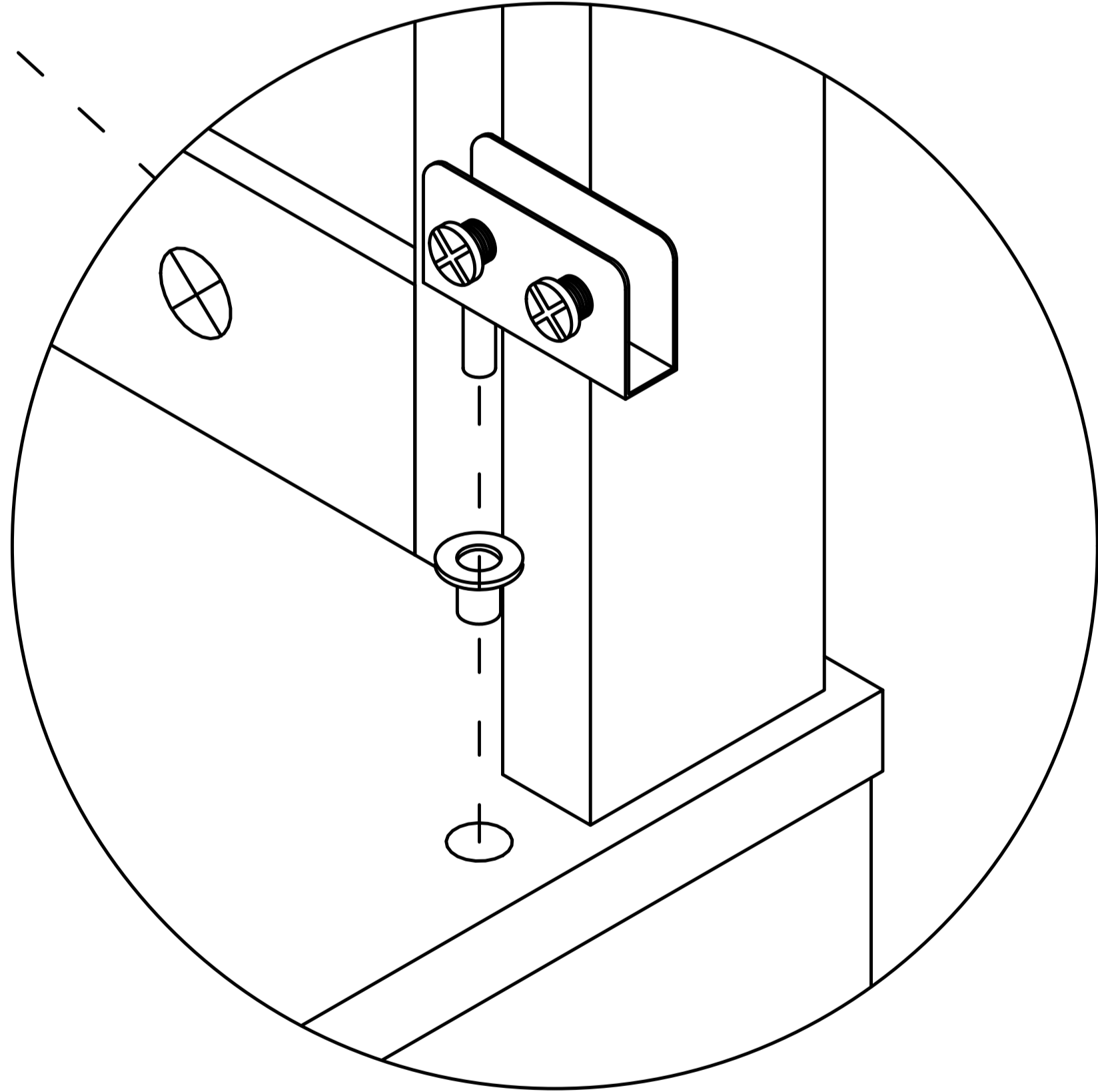
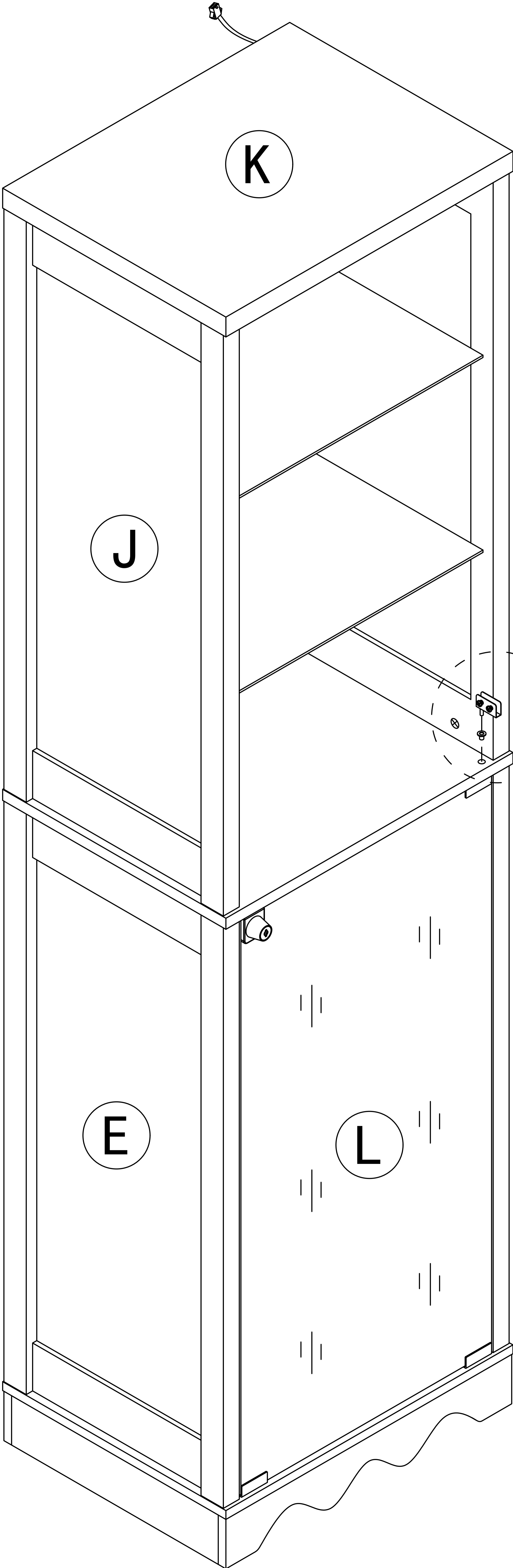
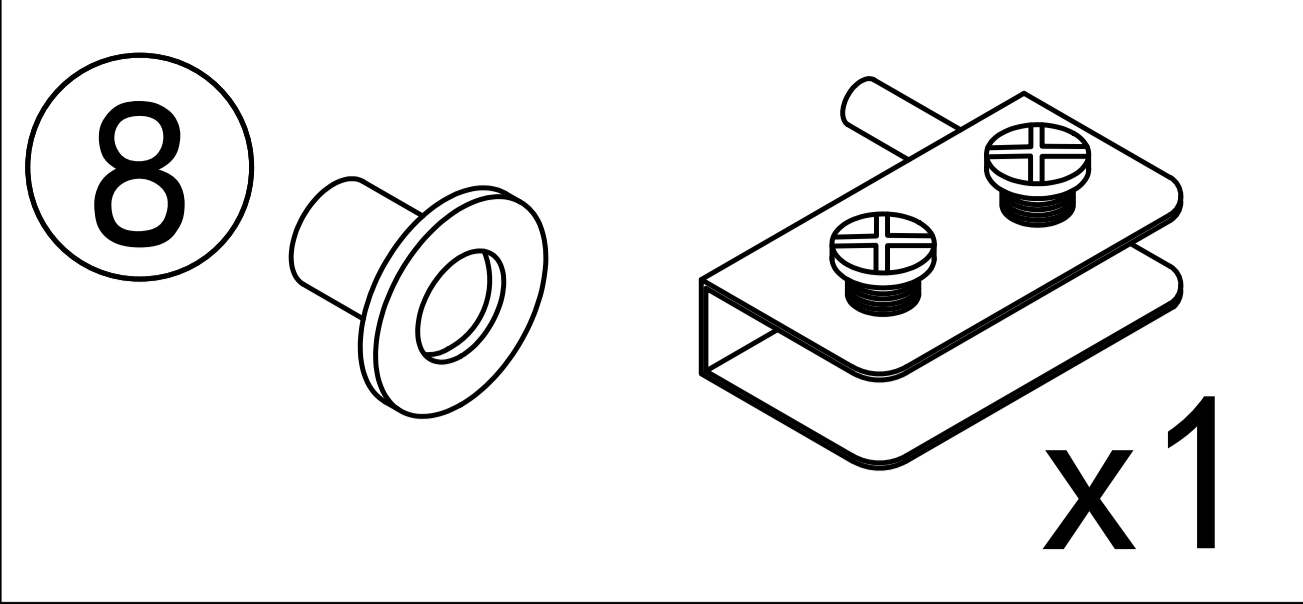


Locking screw

Pay attention to the direction of the door hinge, rotate the screws to compress the black gasket, and do not place it in the opposite direction

Place the black gasket on the side where the screws are installed

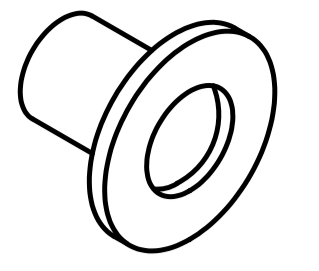
Step 32



Step 33

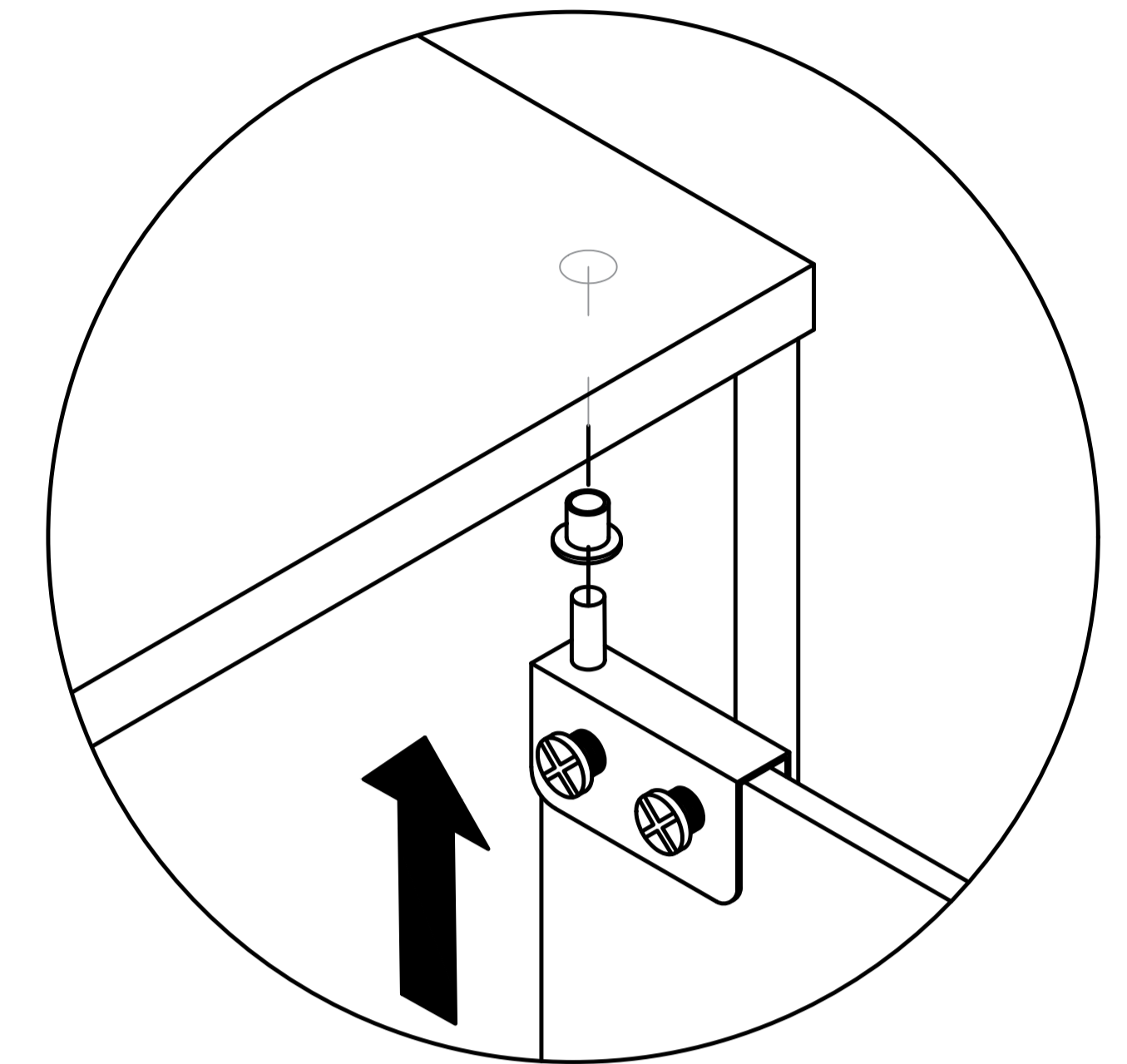
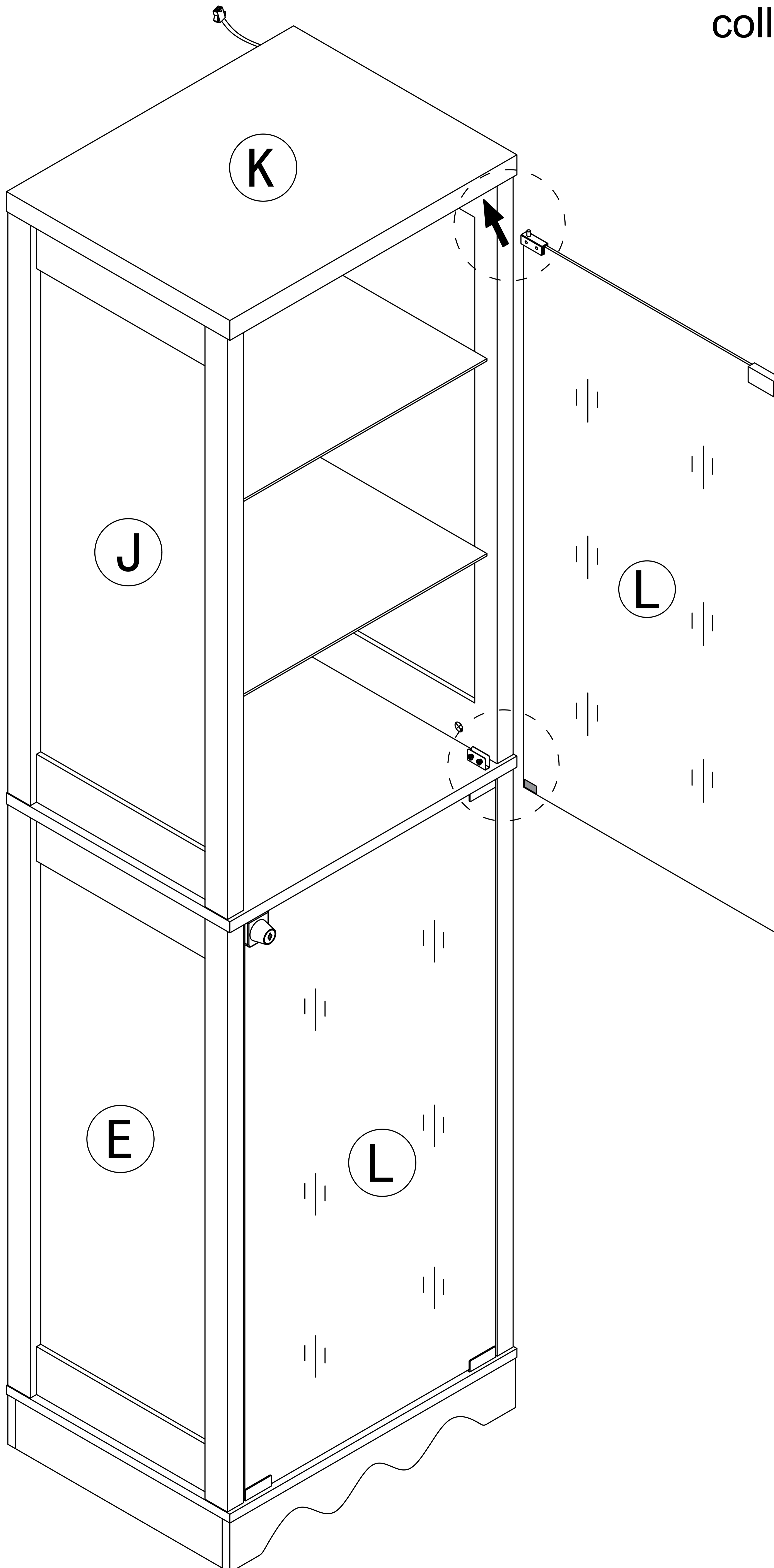
Pay attention to the direction of the door hinge during installation

8

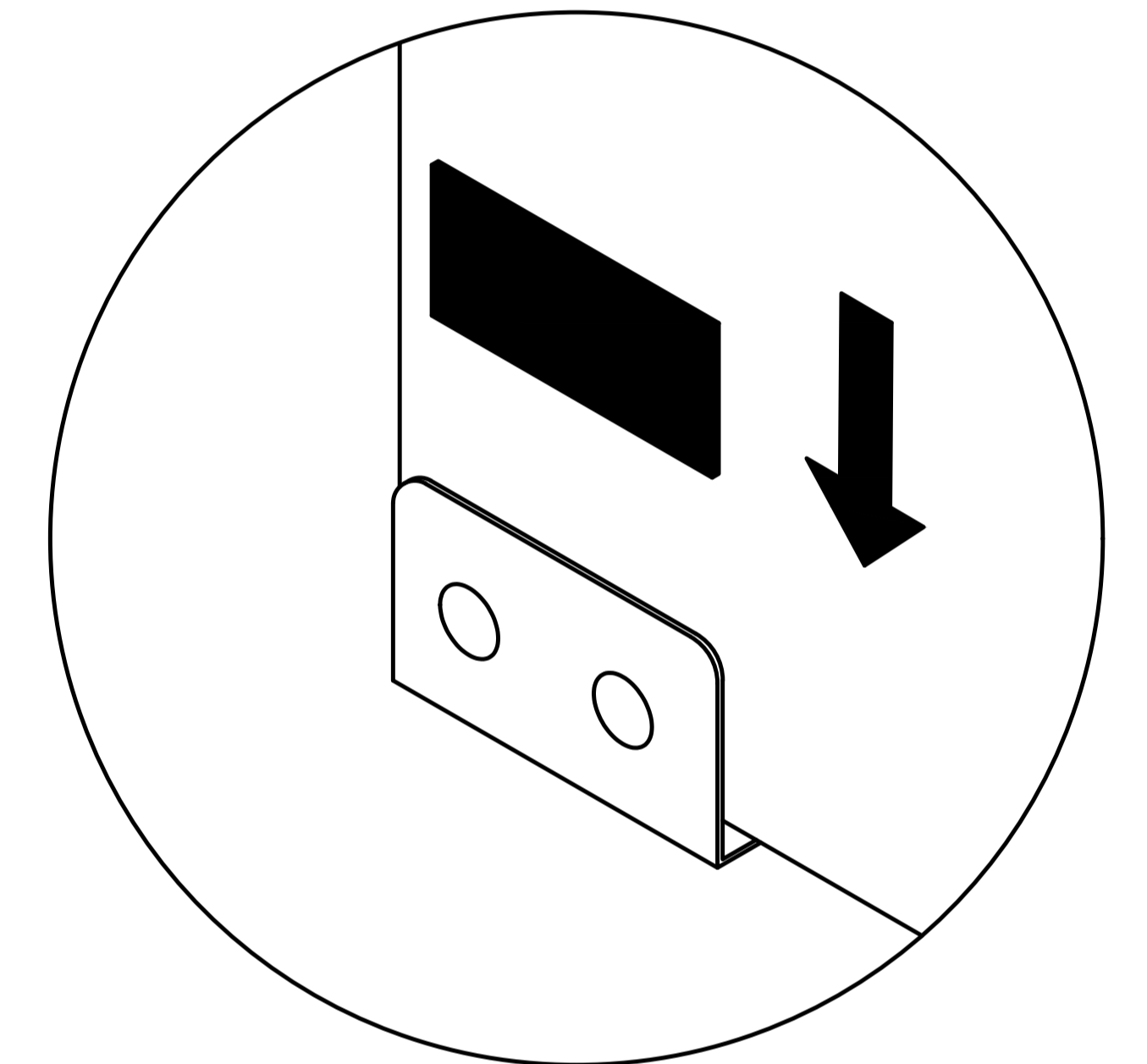


x1

When installing a glass door, it is recommended to have two people install it to avoid the glass door colliding or hitting oneself.

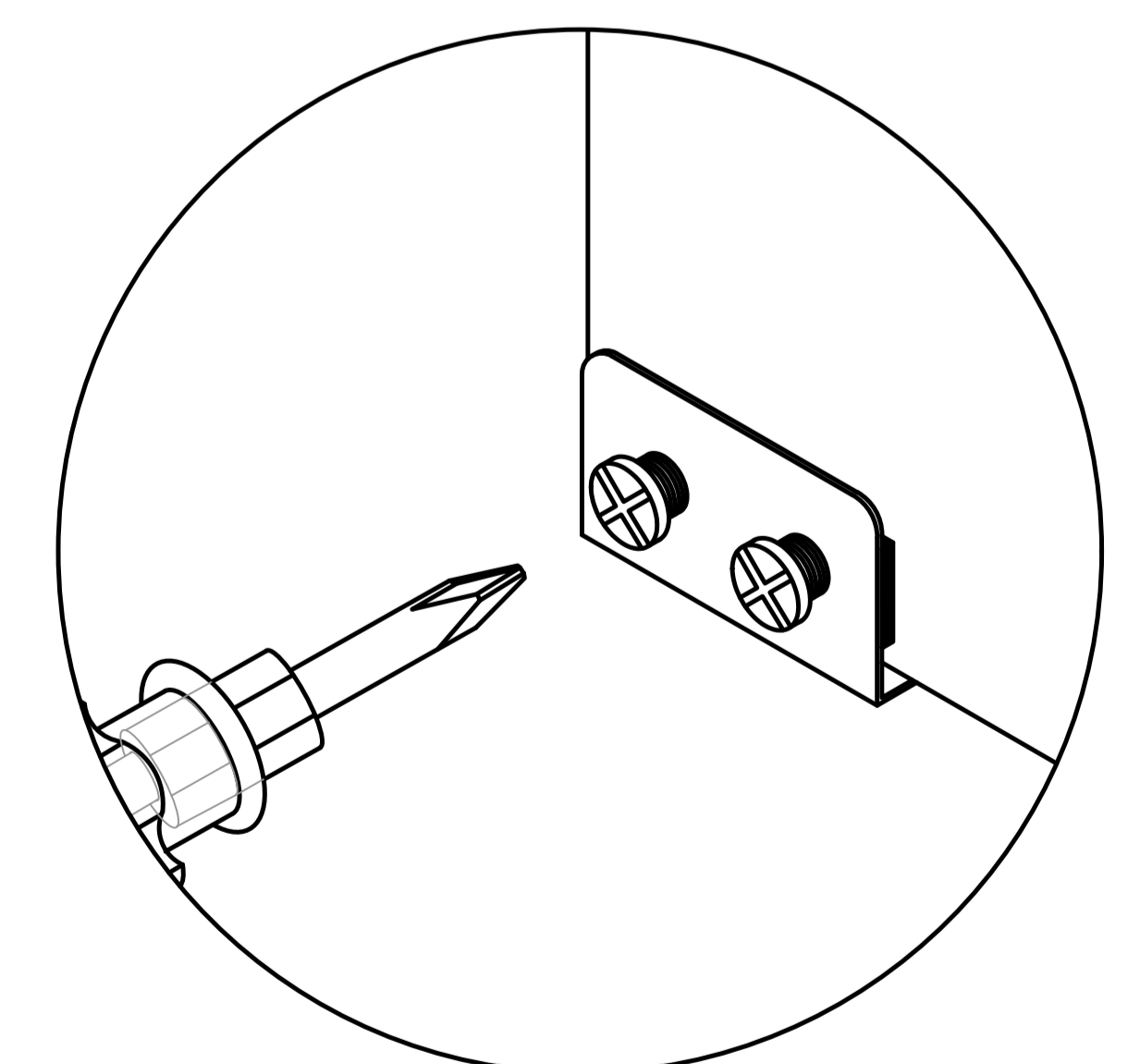


first



second

After installing the glass door, place the black gasket on the side where the screws are installed

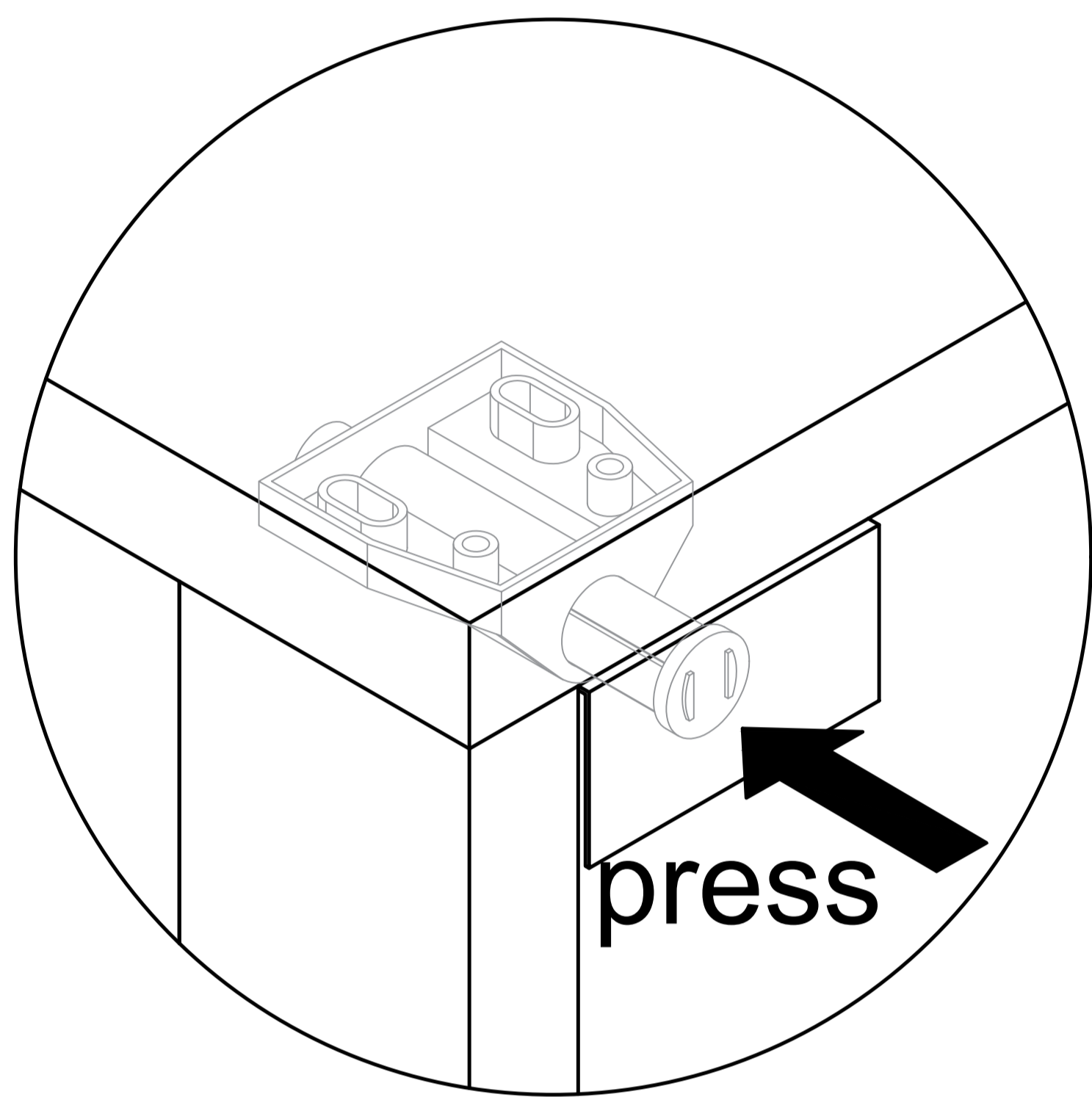


third

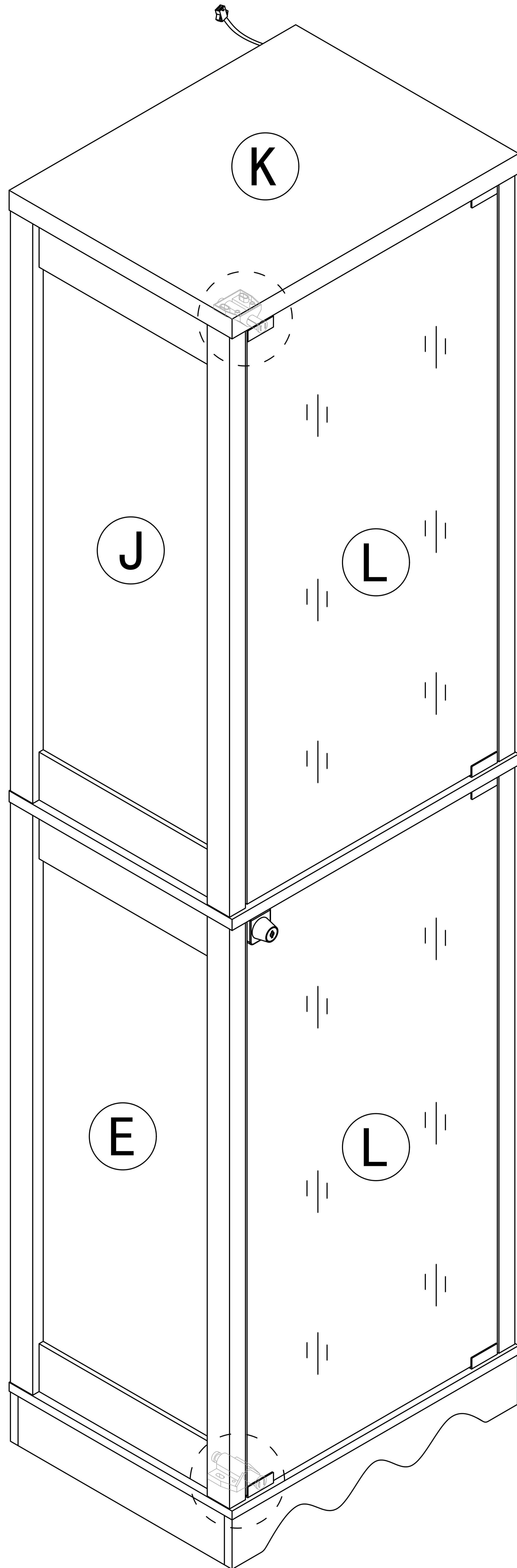
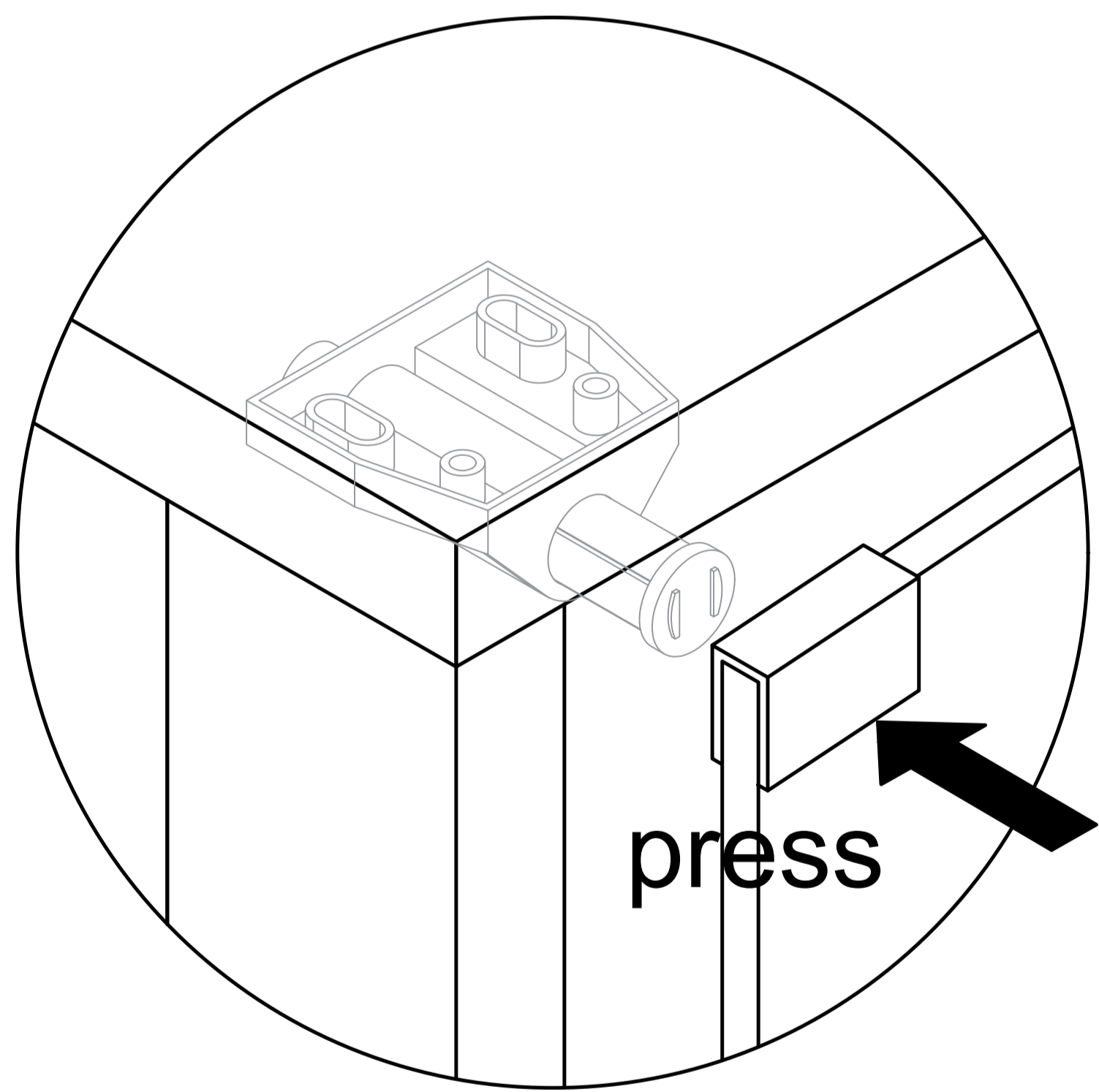
Locking screw

Step 34

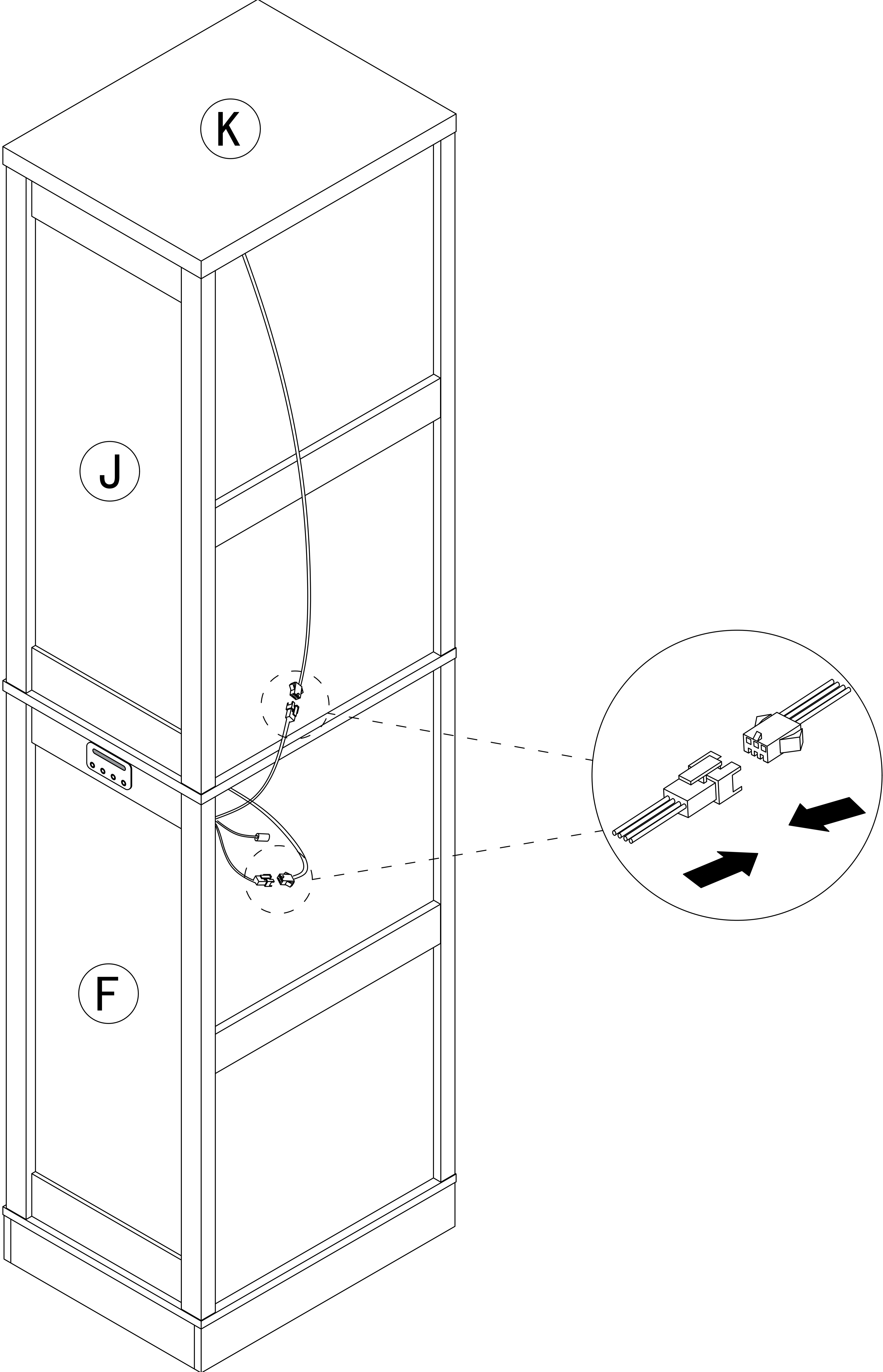
Open the glass door



Close the glass door

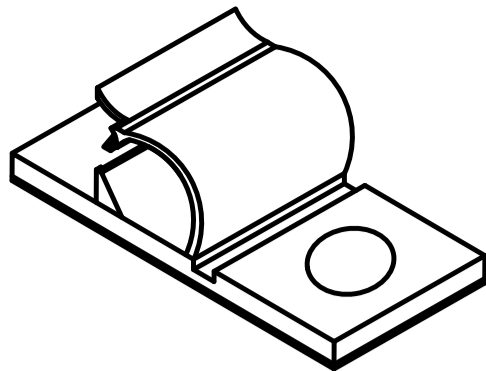


Step 35

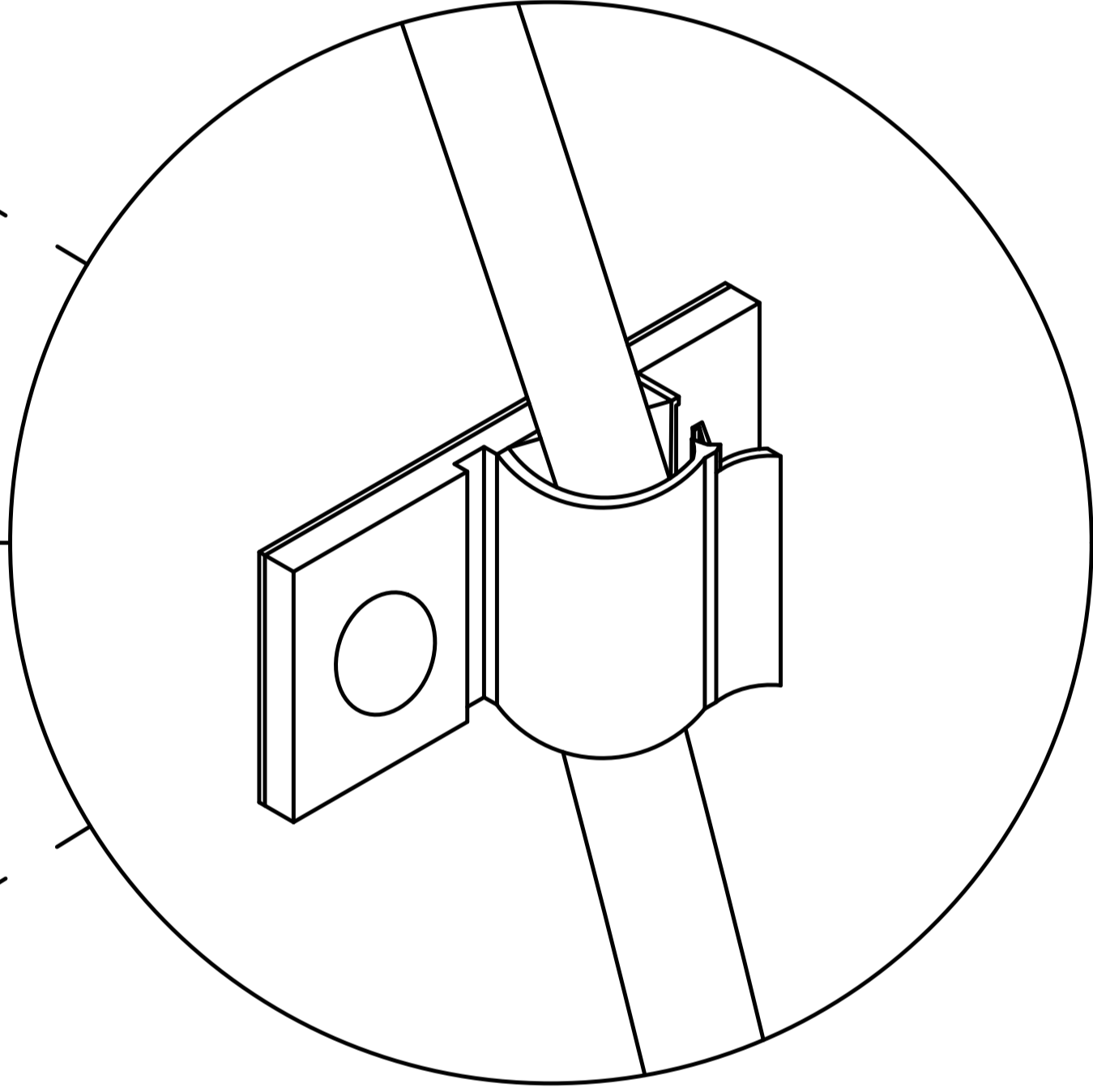
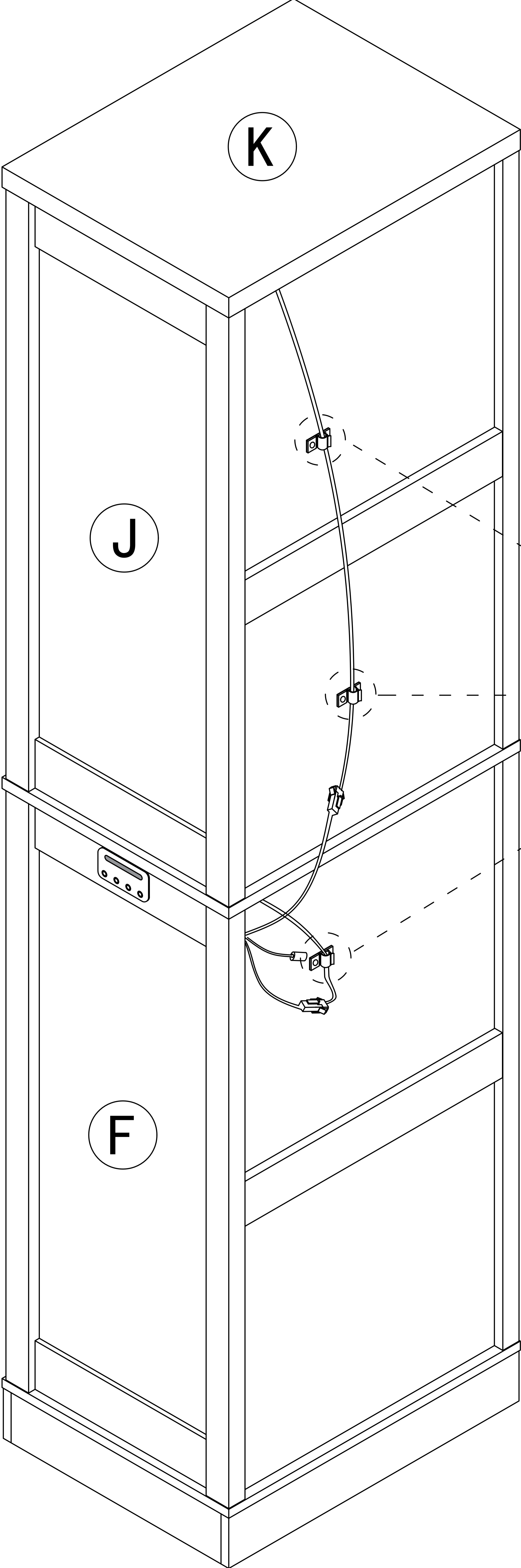


Step 36

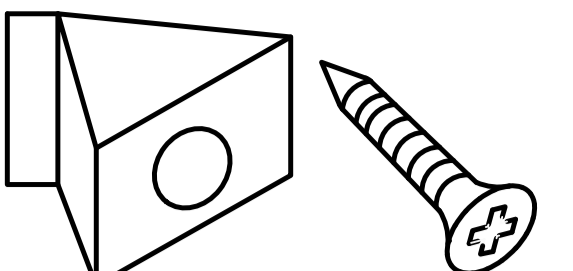
6

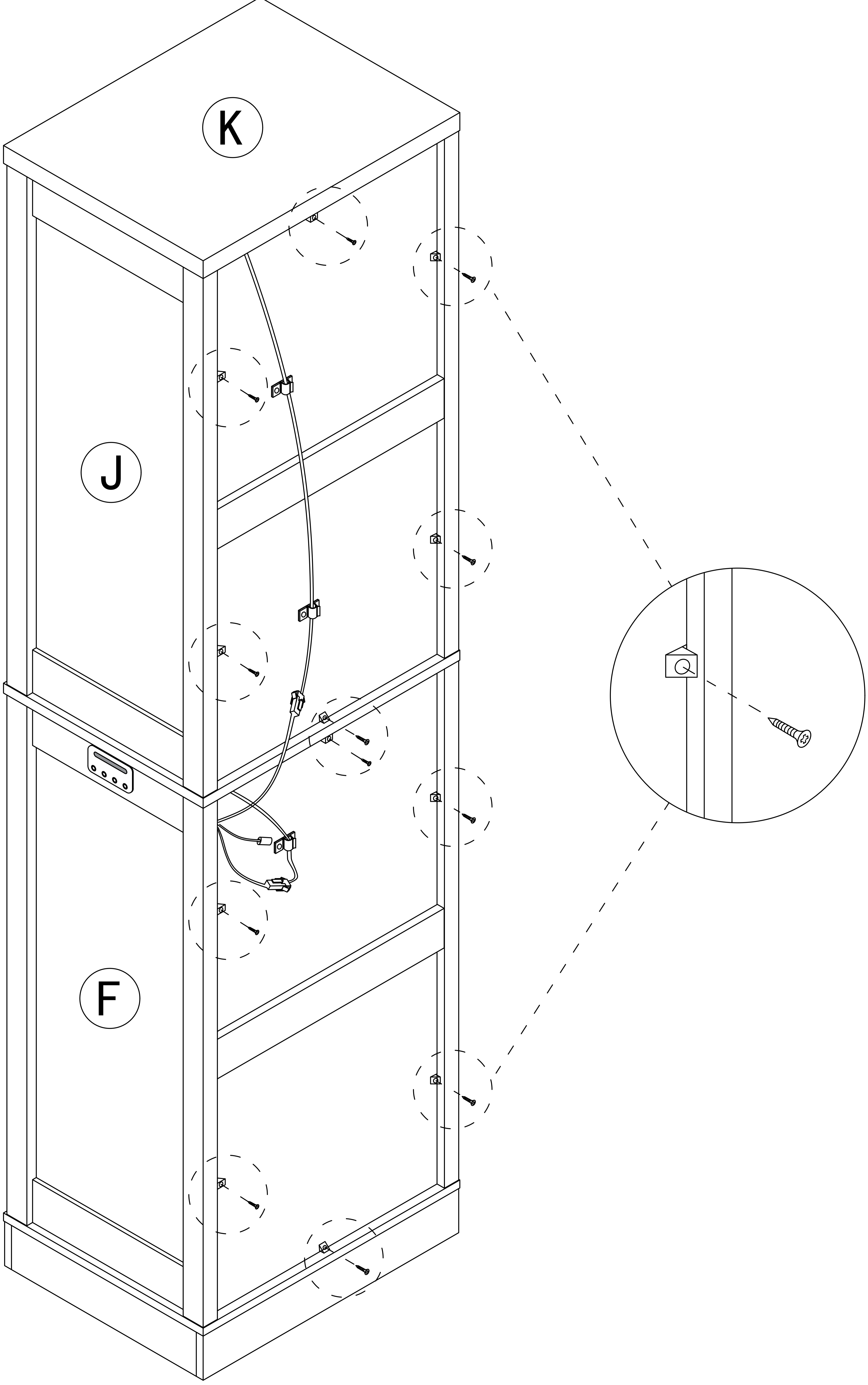


x3

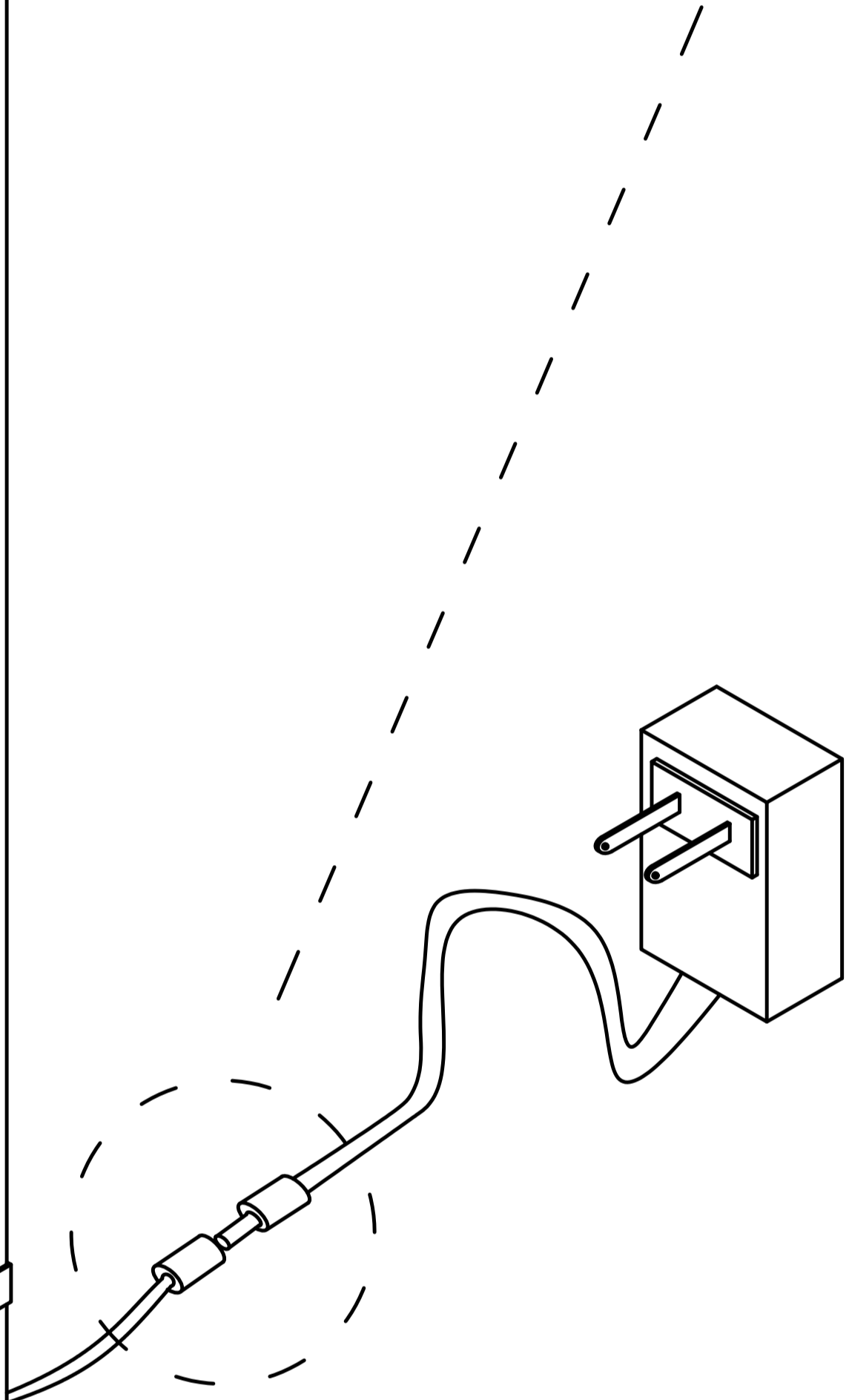
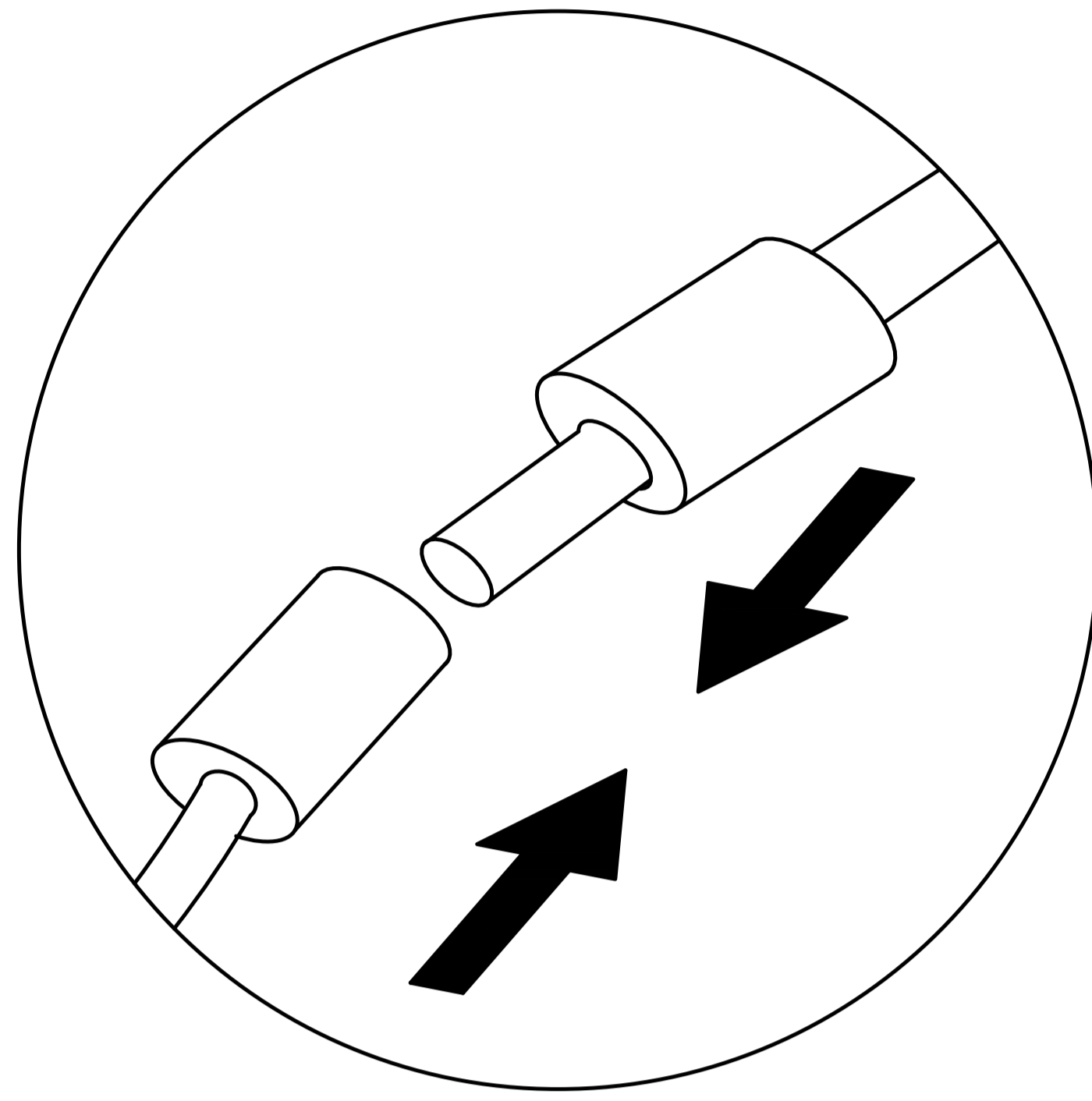
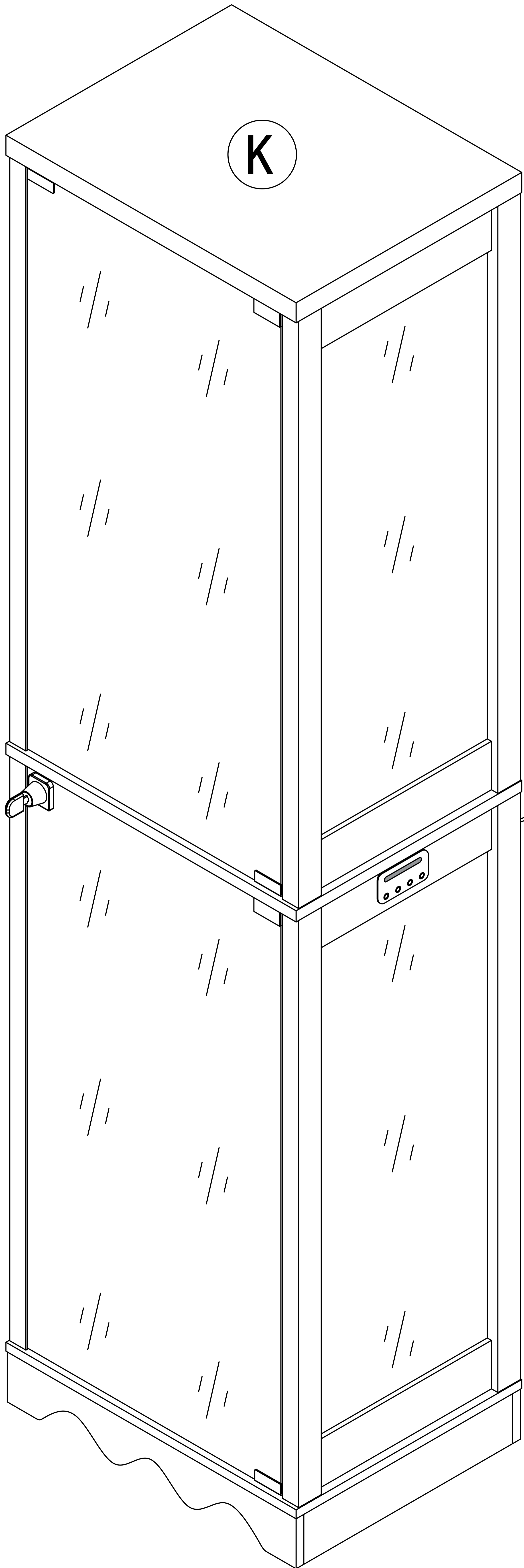
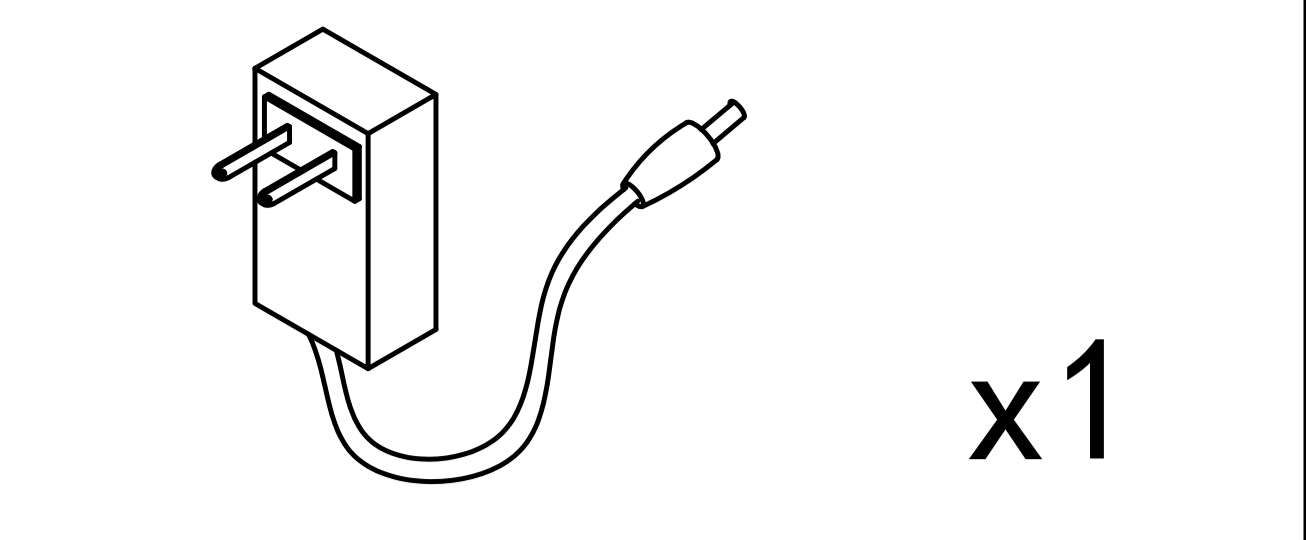


Step 37

5  x12



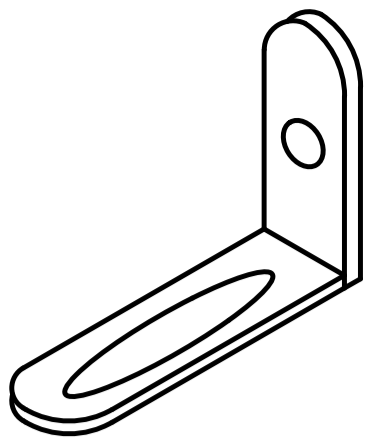
Step 38



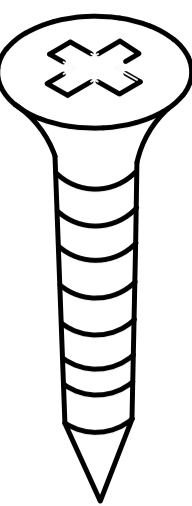
Step 39

Install as required

9



x2

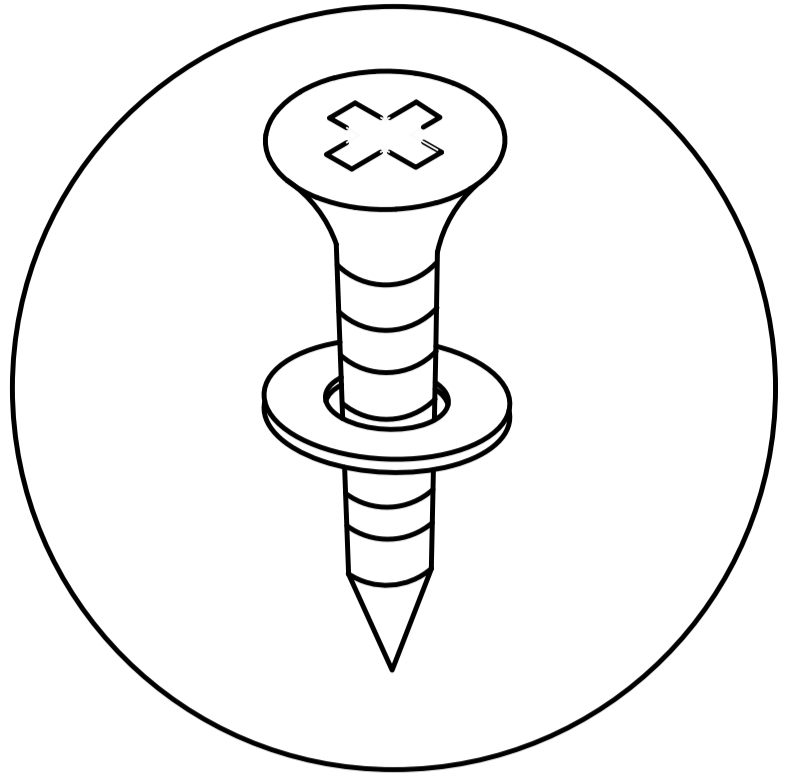


x2

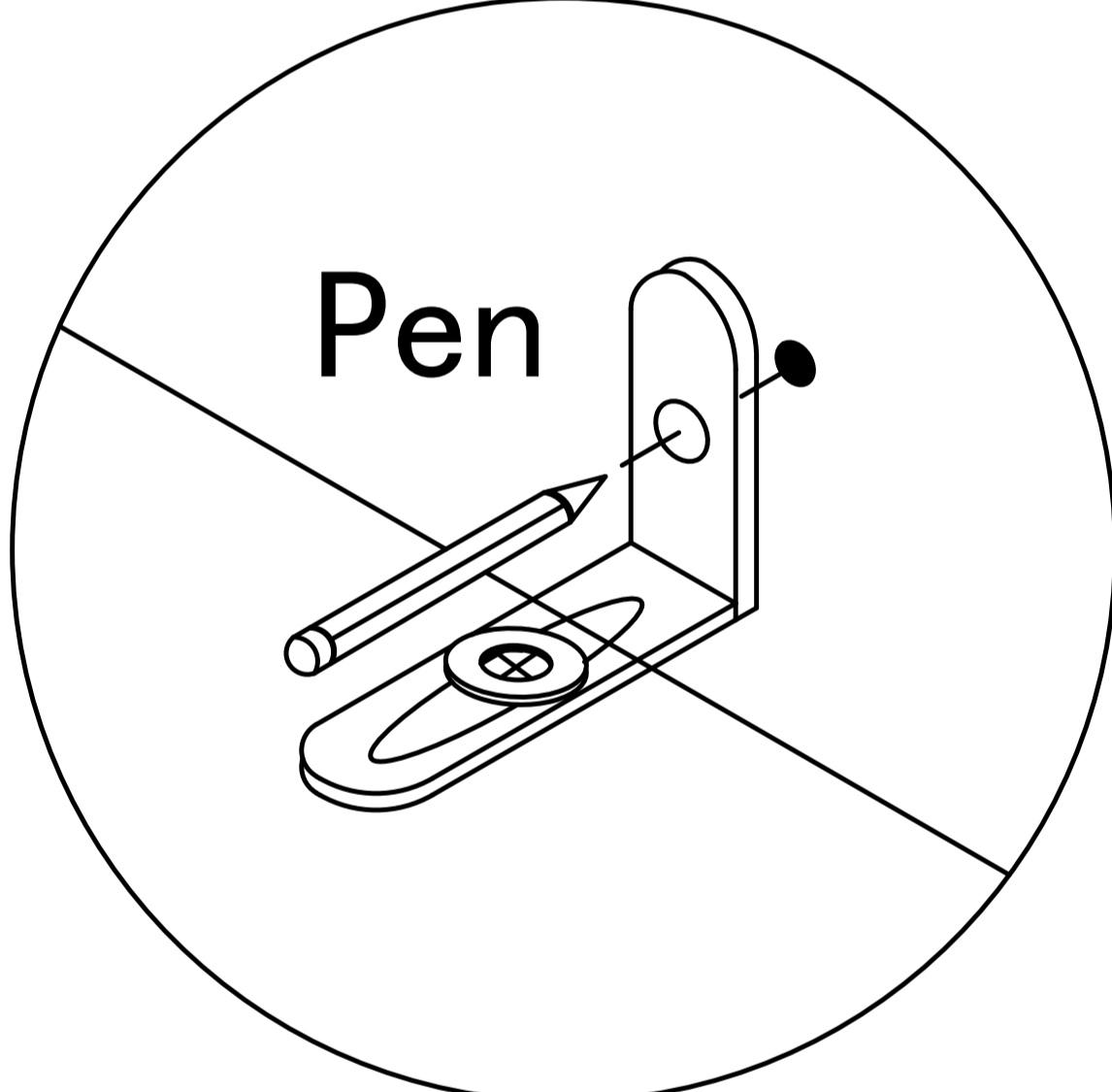
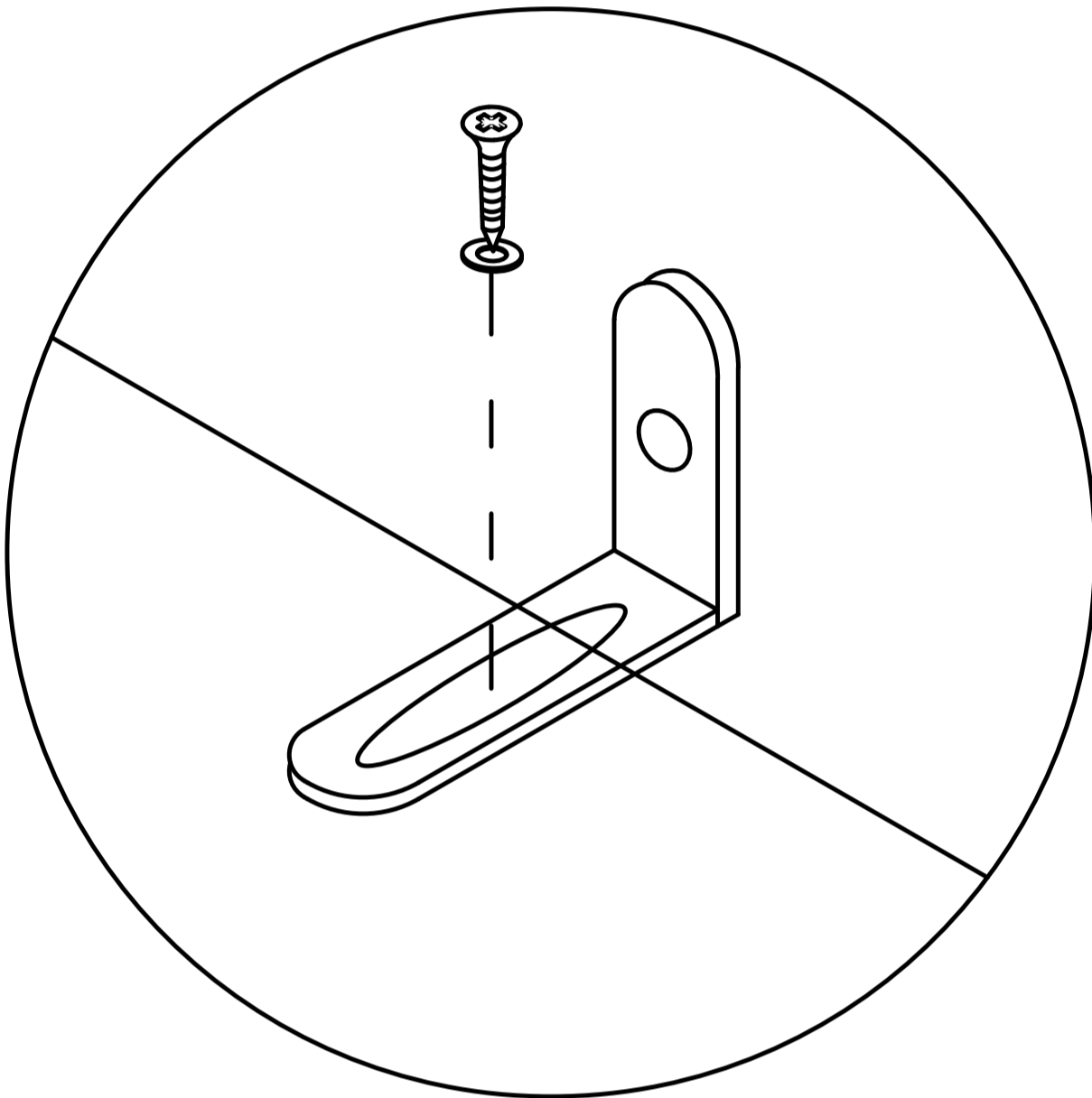
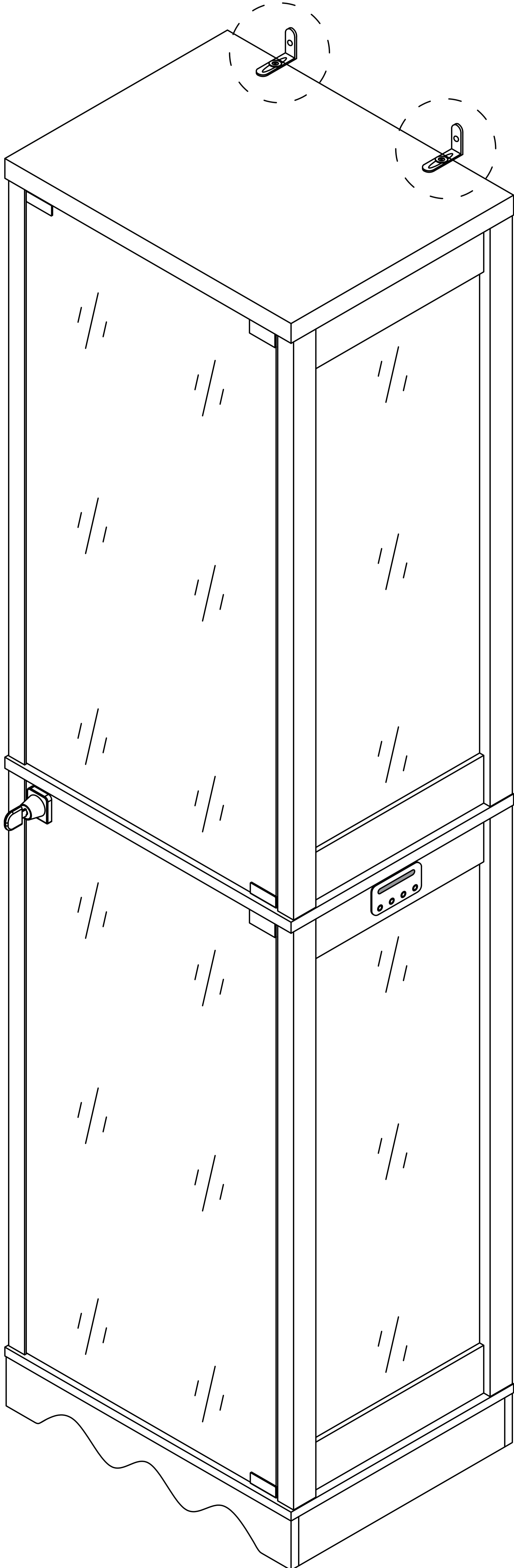


x2

3.5x14mm




Install the anti fall hardware on the cabinet as shown in the picture first

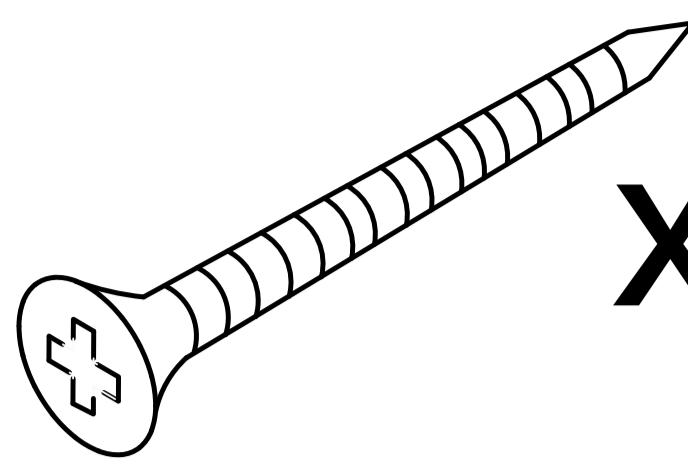
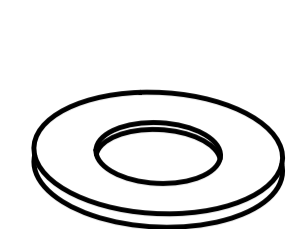


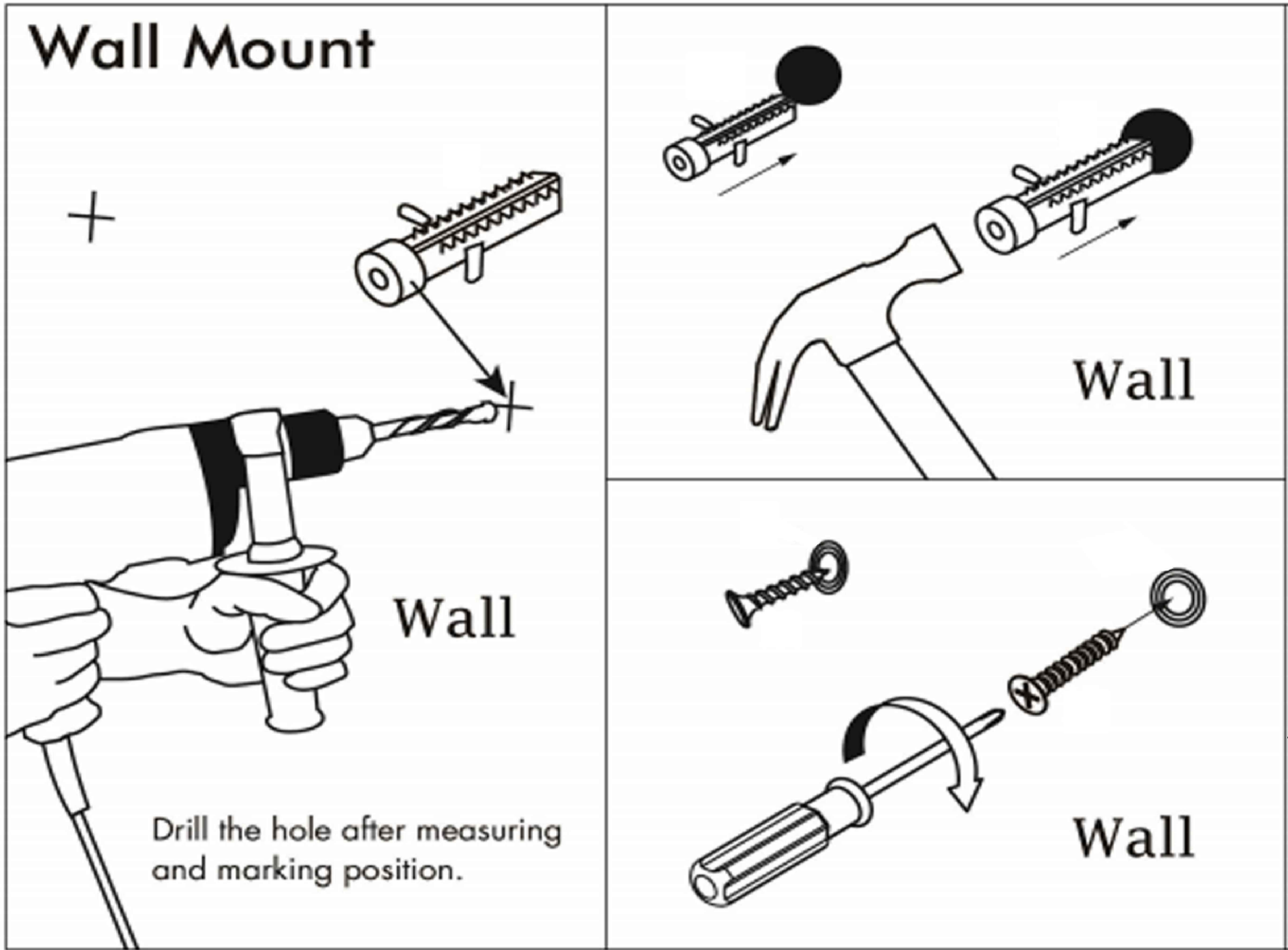
Then mark the wall with a pen through the holes in the anti-fall hardware

Step 40

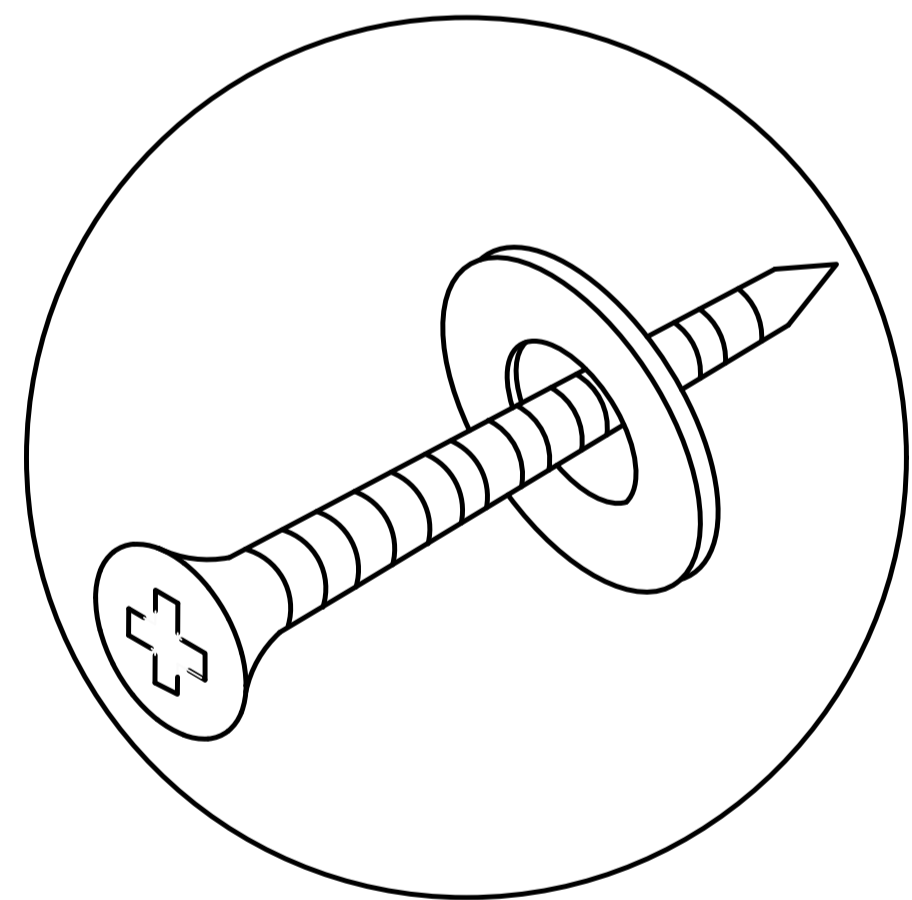
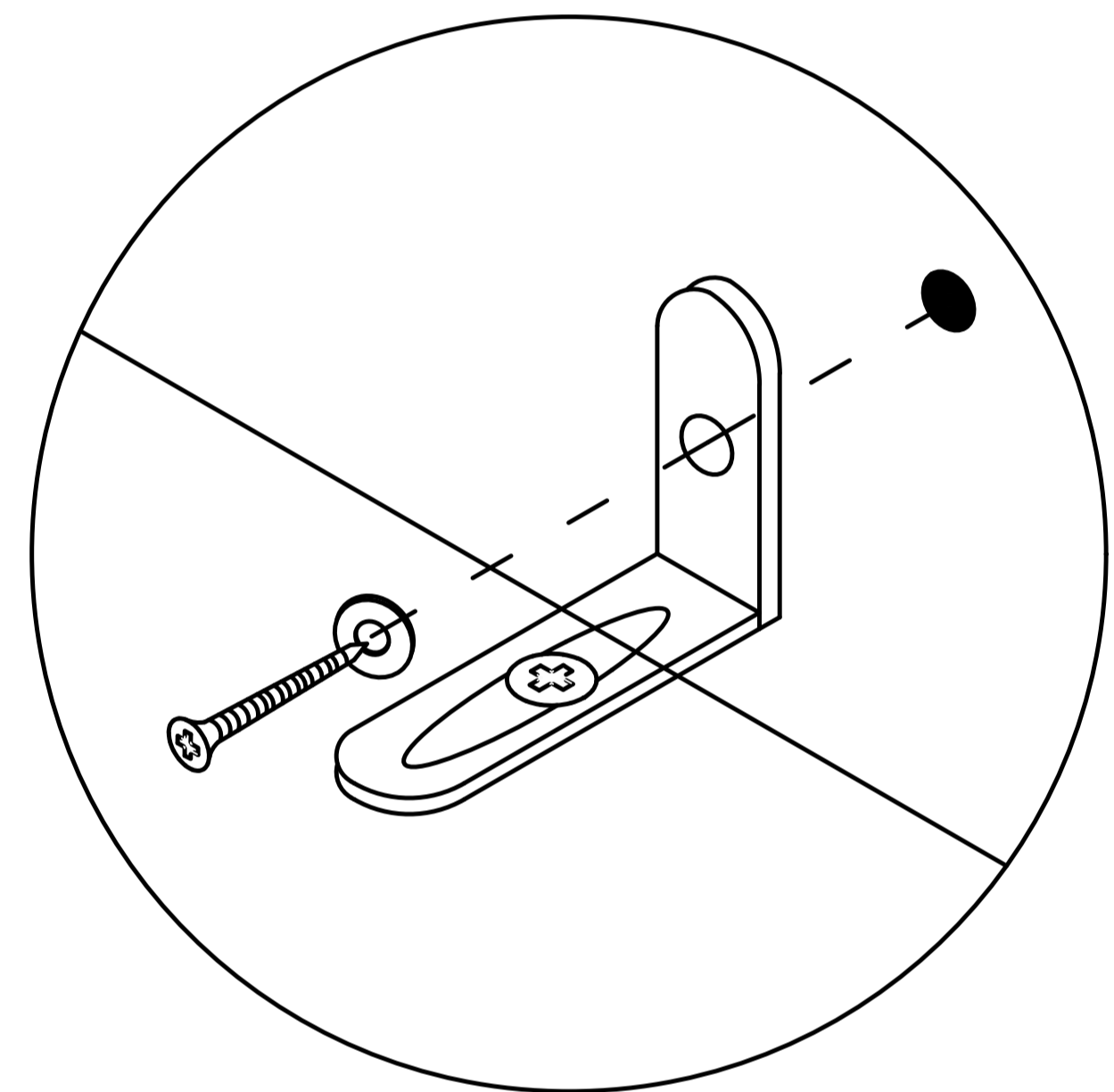
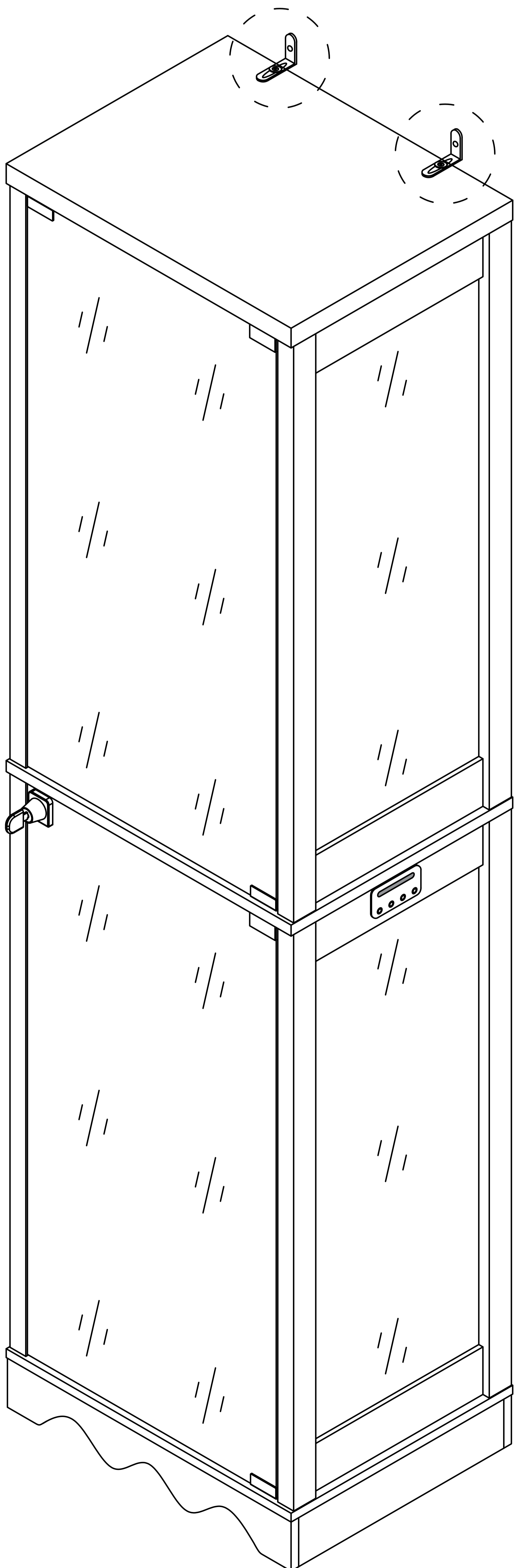
9

 x2

 x2  x2



Drill the hole with an electric drill and punch in the colloidal particles



4x45mm

Fix the dressing table to the wall

User's Guide

Thank you for purchasing this product.

To use this product, please plug it into a 12V DC power supply.


Please use if the product works normally after connecting to power.

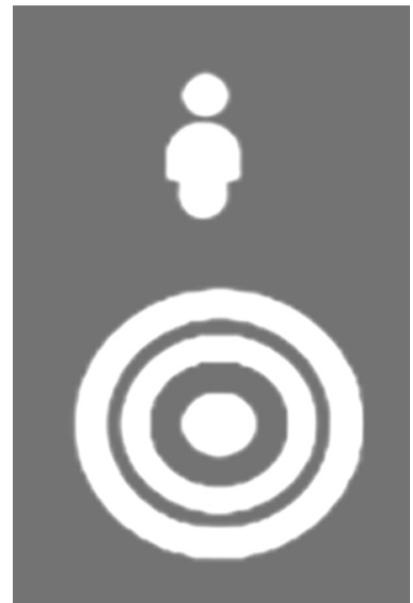
Introduction

The box is an intelligent controller. With 5 touch buttons, it can turn ON/OFF the light and turn ON/OFF the induction function, change light colors, and adjust the light luminance.





Operation

 This touch button is the master switch of the smart box, which can turn off all functions of the box and control the light strips on/off operation. The operation that can be turned on and off with just a light tap. Press and hold to adjust the brightness. Upon first power-up, the default light will be set to white.

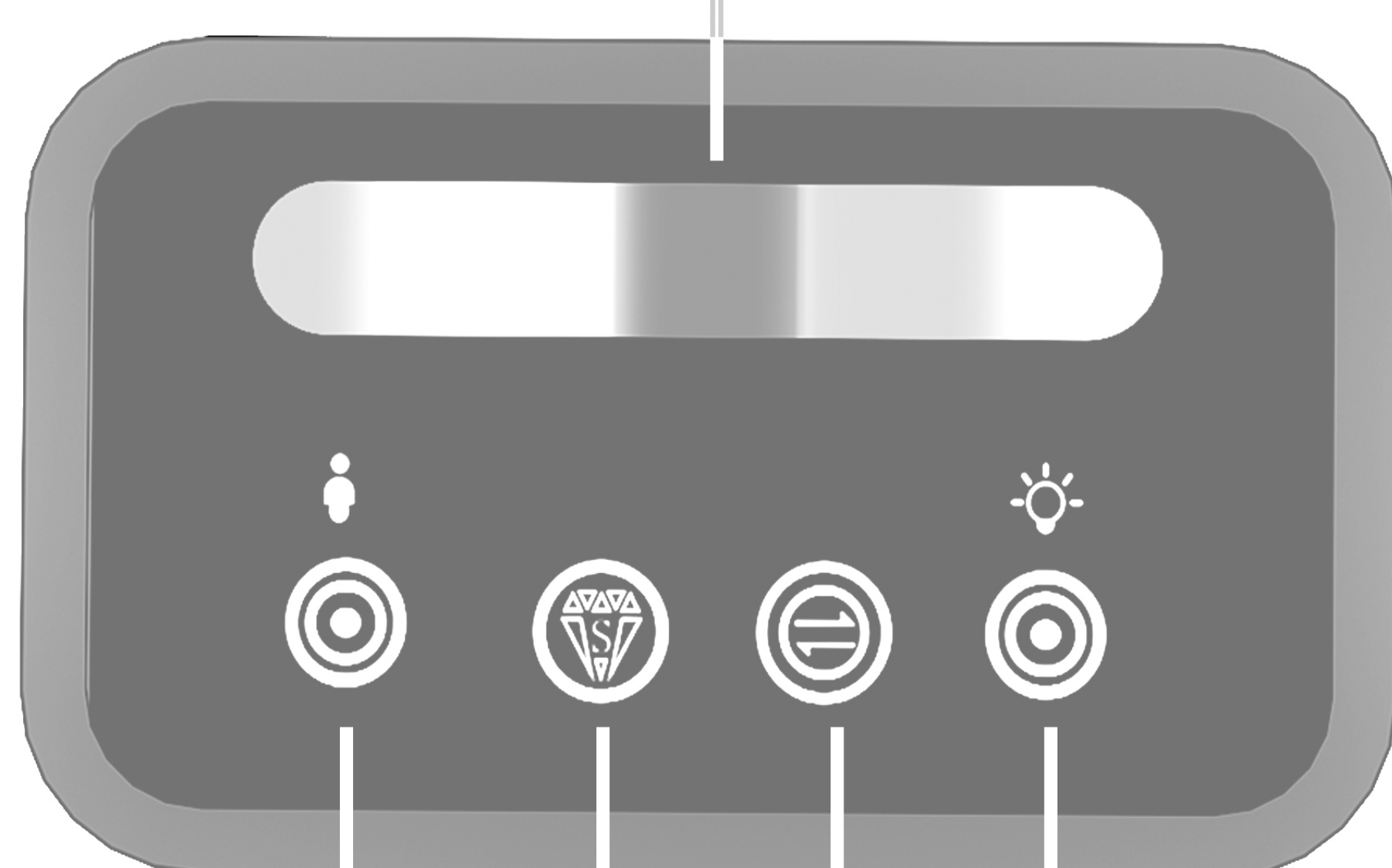
 This touch button is used to turn on/off the induction function.
A. touch this button once to turn on the induction function (indicator light on).
After the person leaves or remains stationary for more than 30 seconds, the light strip goes out; people and objects within a range of 1 meters move will light up the light strip.
B. Long press this button for 0.5 seconds to turn off the human body induction function (the indicator light goes out).
At this point, Keep the light strip as it was before turning off and no longer be affected by human and object activities. By default, induction function is enabled when powered on.

 This touch button is the Dynamic Phantom Color Mode, which includes 5 magical lighting effects. Simply tap to cycle through the options. (Attention: This mode cannot adjust the brightness)

 This touch button controls the single-color switching function of the light strips, offering 7 different colors to choose from.

 This area controls the color switching function. You can tap or slide to any color bar position to change the color.

Color Palette



Induction Button

Phantom Color Mode Button

Master Switch Button

7-Color Mode Button



ATTENTION PLEASE

1. If there is no touch response suddenly, Re-plug the power to reset the touch static electricity.
2. If bubbles appear on the panel, remove the protective film.
3. If you have any questions when installing, please feel free to contact us. Thank you.