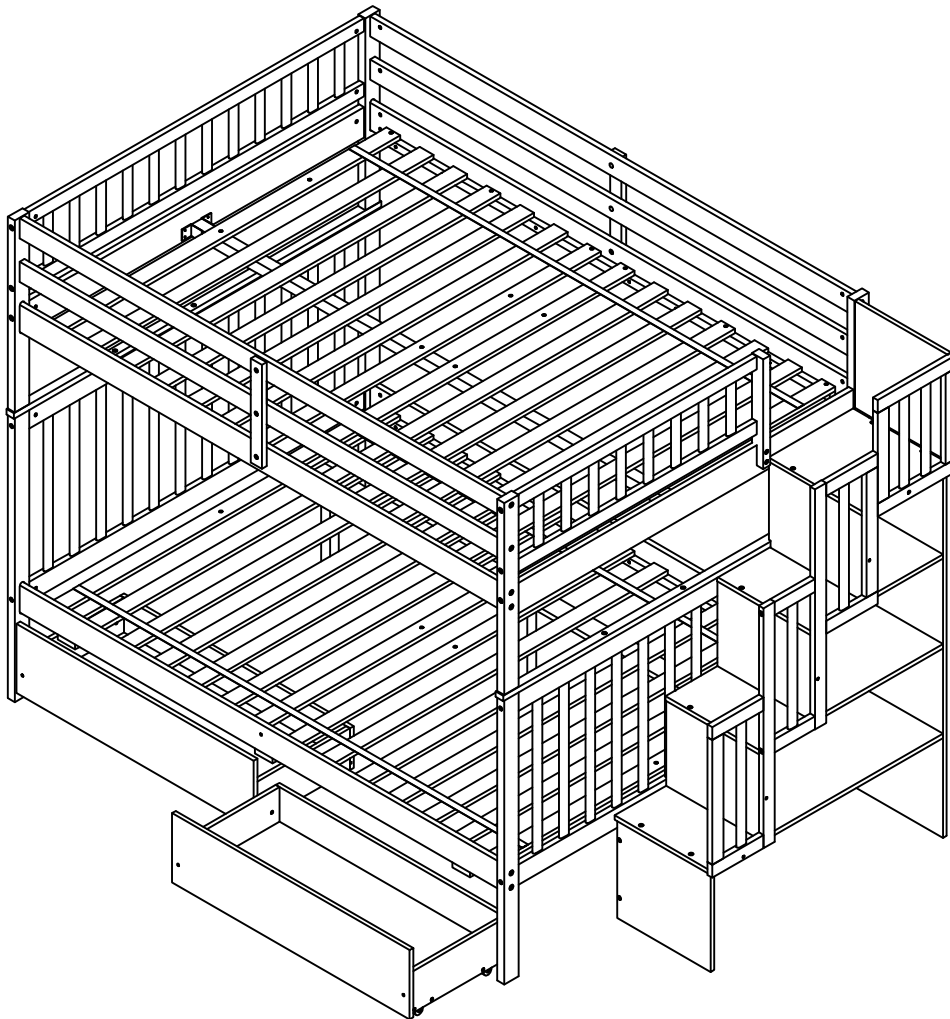


ASSEMBLY INSTRUCTIONS

FULL FULL WITH 2 DRAWERS STAIRCASES



DN11750



SAFETY WARNING



1. This bed is designed for use only mattress (es) meeting the following specifications on the upper bunk, and lower bunk:

Down bed

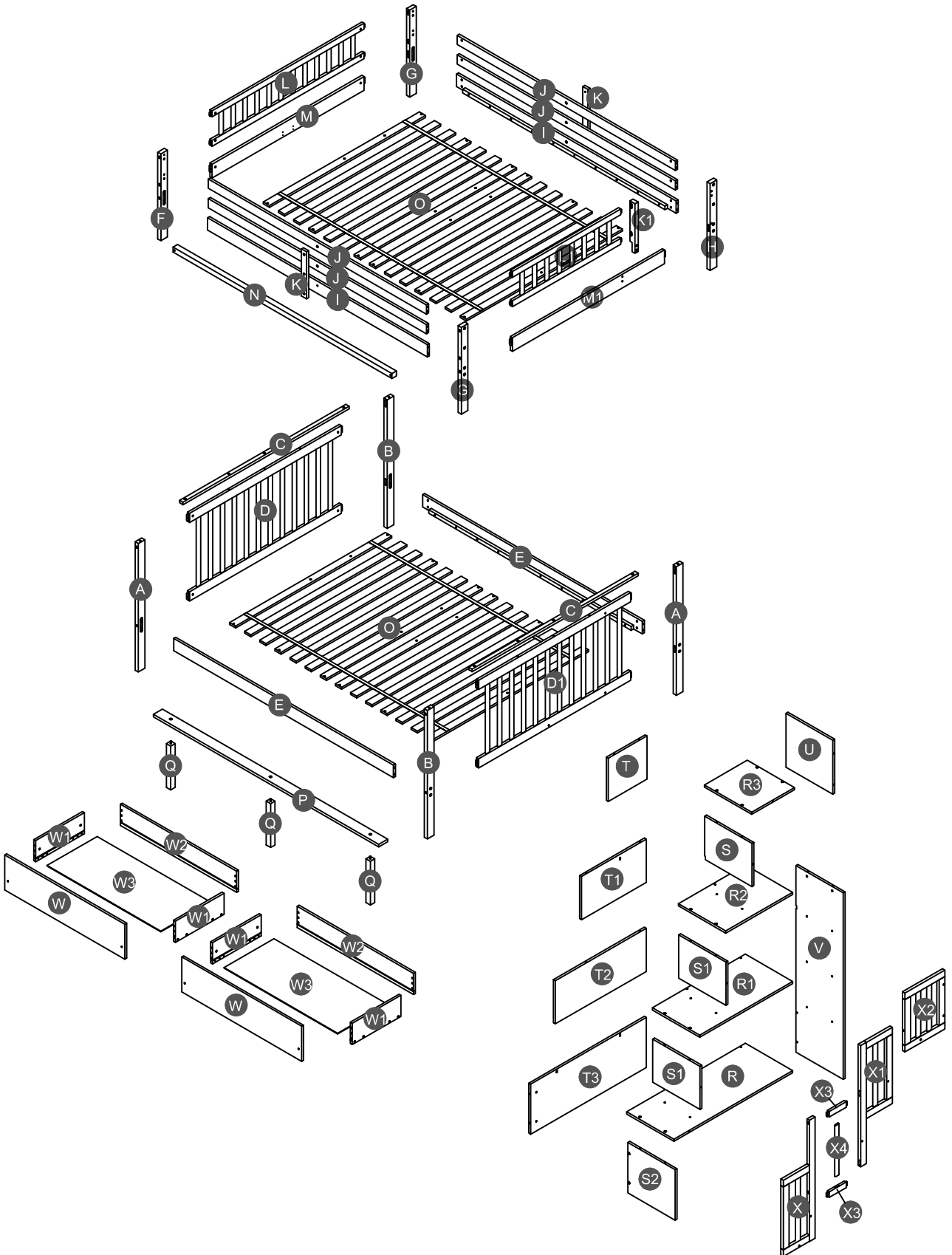
Bed type	Length	Width	Thickness
Full Standard	74"-75"	54"	8" max

Up bed (Bunk bed and tribed included)

Bed type	Length	Width	Thickness
Full Standard	74"-75"	54"	6" max


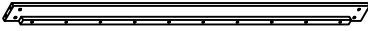


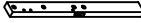




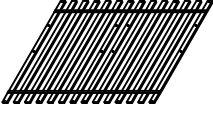




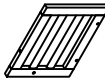
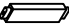
2. Replacement parts, including additional guardrails, maybe obtained from any of our INSPIRIT LIFE GLOBAL PTE. LTD. 18961 ARENTH AVENUE,CITY OF INDUSTRY, CA, 91748
3. Follow the information on the warnings appearing on the upper bunk bed end structure and on the carton. Do not remove warning label from bed.
4. Always use the recommended size mattresses or mattress supports, or both, to help prevent the likelihood of entrapment or falls.
5. Surface of mattress must be at least 5" (127mm) below the upper edge of guardrails.
6. Do not allow children under 6 years of age to use the upper bunk.
7. Periodically check and ensure that the guardrail, ladder, and other components are in their proper position, free from damage, and that all connectors are tight.
8. Do not allow horseplay on or under the bed and prohibit jumping on the bed.
9. Always use the ladder for entering and leaving the upper bunk.
10. Do not use substitute part. Contact the manufacture or dealer for replacement part.
11. Use of a night light may provide added safety precaution for a child using the upper bunk.
12. Always use guardrails on both long sides of the upper bunk. If the bunk bed will be placed next to the wall, the guardrail that runs the full length of the bed should be placed against the wall to prevent entrapment between the bed and wall.
13. The use of water or sleep flotation mattresses is prohibited.
14. STRANGULATION HAZARD - Never attach or hang items to any part of the bunk bed that are not designed for use with the bed; for example, but not limited to, hook, belts and jump ropes.
15. Keep these instruction for future reference.
16. Prohibit more than one person on upper bunk
17. We recommend assembling your bunk bed on the shipping carton to protect your floor or carpet.
18. Be certain all staples are out of the box before beginning assembly on the shipping carton.

Detail View



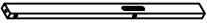
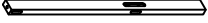
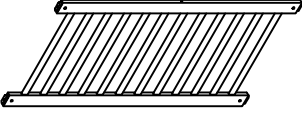
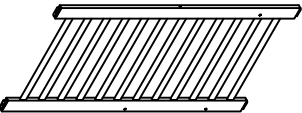


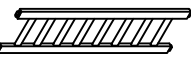
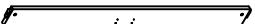
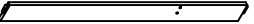
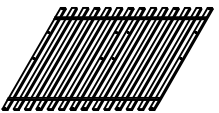

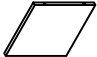
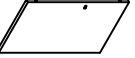
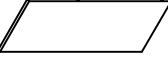

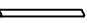
Part List

DN11750 (3-1)


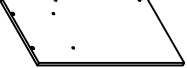
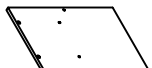
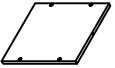
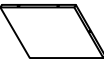

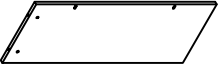
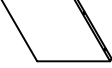
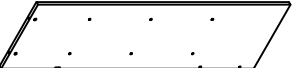
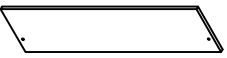
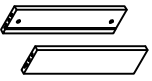

<p>C</p>  <p>Cap for lower HB&FB - 2pcs</p>	<p>E</p>  <p>Lower side rail - 2pcs</p>	<p>F</p>  <p>Upper leg(Left front) - 1pc</p>
<p>G</p>  <p>Upper leg (Left back/Right front) - 2pcs</p>	<p>H</p>  <p>Upper leg (Right back) - 1pc</p>	<p>I</p>  <p>Upper side rail - 2pcs</p>
<p>J</p>  <p>Long guard rail - 4pcs</p>	<p>K</p>  <p>Vertical guard rail - 2pcs</p>	<p>N</p>  <p>Lower support slat - 1pc</p>
<p>O</p>  <p>Slat - 1set = 14pcs</p>	<p>P</p>  <p>Lower support slat - 1pc</p>	<p>Q</p>  <p>Leg support - 3pcs</p>
<p>X</p>  <p>Guard rail -1pc</p>	<p>X1</p>  <p>Guard rail -1pc</p>	<p>X2</p>  <p>Guard rail -1pc</p>
<p>X3</p>  <p>Guard rail - 2pcs</p>		

Part List

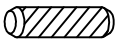
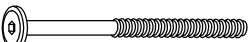
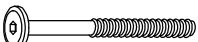
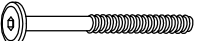




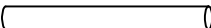


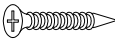

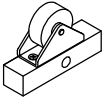

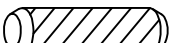
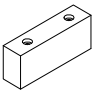

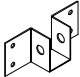
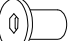

DN11750 (3-2)

A  Lower leg (Left front/Right back) - 2pcs	B  Lower leg (Left back/Right front) - 2pcs	D  Lower frame HB - 1pc
D1  Lower frame FB - 1pc	K1  Support guard rail (Right) -1pc	L  Upper frame HB - 1pc
L1  Upper frame FB - 1pc	M  Horizontal upper bar HB - 1pc	M1  Horizontal upper bar FB - 1pc
O  Slat - 1set = 14pcs	S  Upper front panel - 1pc	T  Upper left side panel - 1pc
T1  Upper center left side panel - 1pc	T2  Lower center left side panel - 1pc	W3  Drawer bottom - 2pcs
X4  Guard rail -1pc		

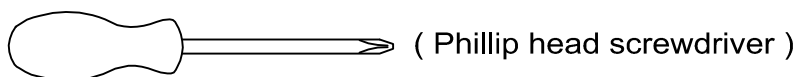
Hardware List DN11750 (3-3)

R  Lower step ladder panel -1pc	R1  Lower center step ladder panel -1pc	R2  Upper center step ladder panel -1pc
R3  Upper step ladder panel -1pc	S1  Center front panel - 2pcs	S2  Lower front panel - 1pc
T3  Lower left side panel - 1pc	U  Upper guard back - 1pc	V  Back panel - 1pc
W  Front drawer panel - 2pcs	W1  Left / right drawer panel - 4pcs	W2  Back drawer panel - 2pcs

Hardware List DN11750 (3-3)

1	 Ø8*30mm	2	 (Ø15)1/4"*100mm	3	 (Ø15)1/4"*80mm
Wood dowel (29pcs)		Hex-Head bolts (18pcs)		Hex-Head bolts (24pcs)	
4	 (Ø12)1/4"*70mm	5	 (Ø12)1/4"*60mm	6	 (Ø12)1/4"*35mm
Hex-Head bolts (4pcs)		Hex-Head bolts (42pcs)		Hex-Head bolts (2pcs)	
7	 (Ø12)1/4"*30mm	8	 1/4"*15 (9.5mm)	9	 Ø9*90mm
Hex-Head bolts (9pcs)		Horizontal-Hole bolts(87pcs)		Connecting bar (4pcs)	
10	 (Ø12)1/4"*40mm	11	 (1/4")4.5*58mm	12	 Ø4*30mm
Hex-Head bolts (6pcs)		Allen key (2pcs)		Wood screws (54pcs)	
13	 Ø1/4"*19*2mm	14	 100*54*20mm	15	 Ø10*20mm
Flat Washer (3pcs)		Wheels (8pcs)		Wood dowel (8pcs)	
16	 Ø10*40mm	17	 70*35*19mm	18	 (Ø12)1/4"*40mm
Wood dowel (8pcs)		Drawer stopper (3pcs)		Hex-Head bolts (2pcs)	
19	 116*40*27mm	20	 (Ø13)1/4"*14mm	21	 Ø3.5*15mm
Metal bracket (2pcs)		Connect bolt (2pcs)		Wood screws (8pcs)	



ASSEMBLY TOOLS REQUIRED (NOT INCLUDED)

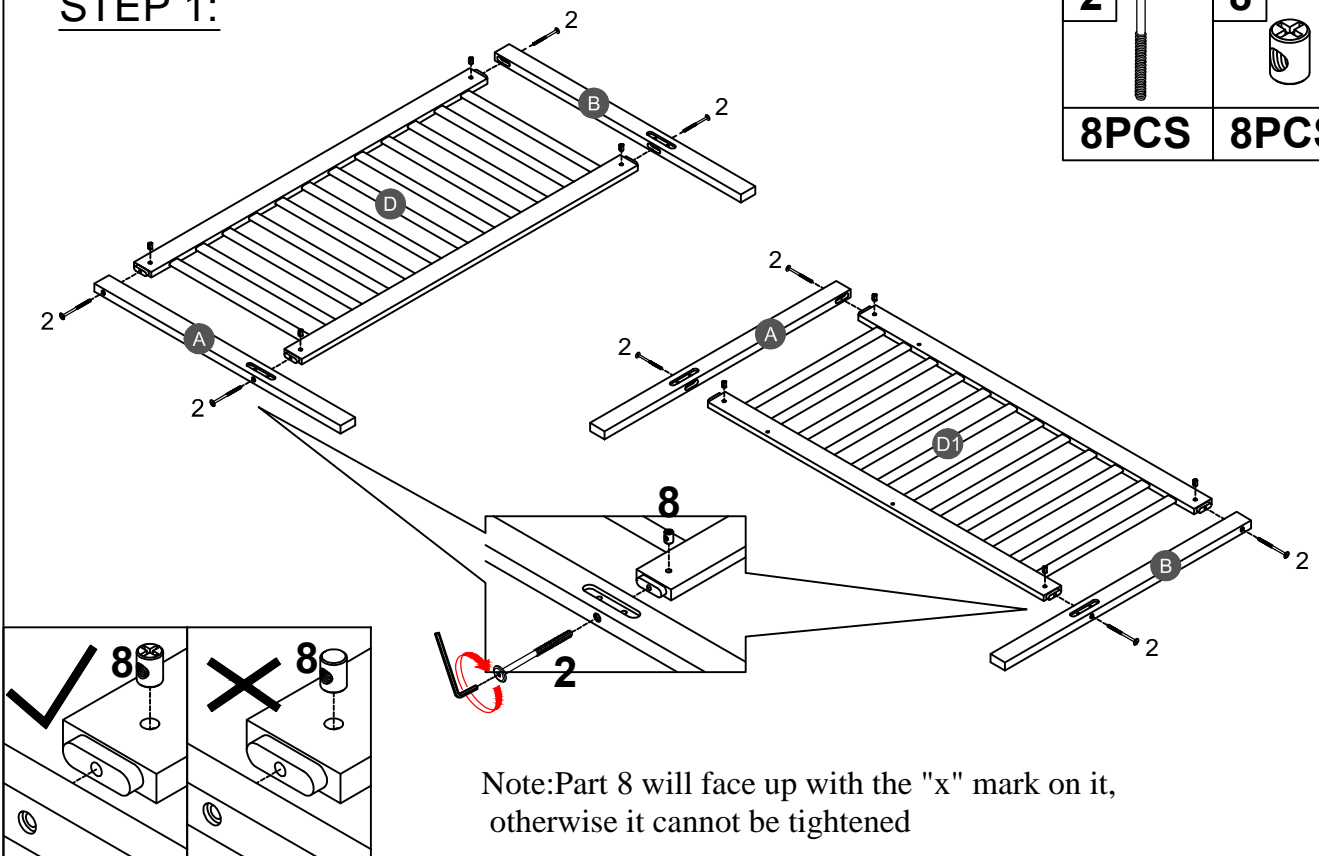


DO NOT USE POWER TOOLS TO ASSEMBLE THIS PRODUCT !


Remark: We recommend you assemble your bed in the flat ground.

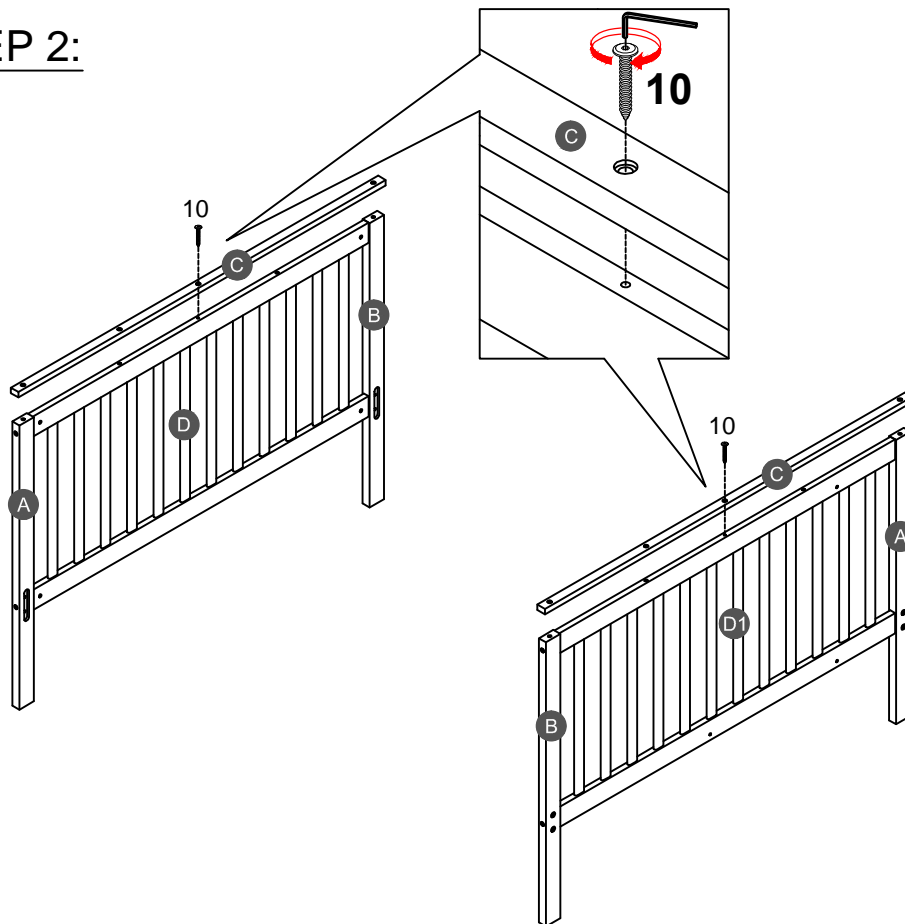
STEP 1:

2		8	
8PCS		8PCS	


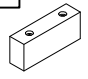


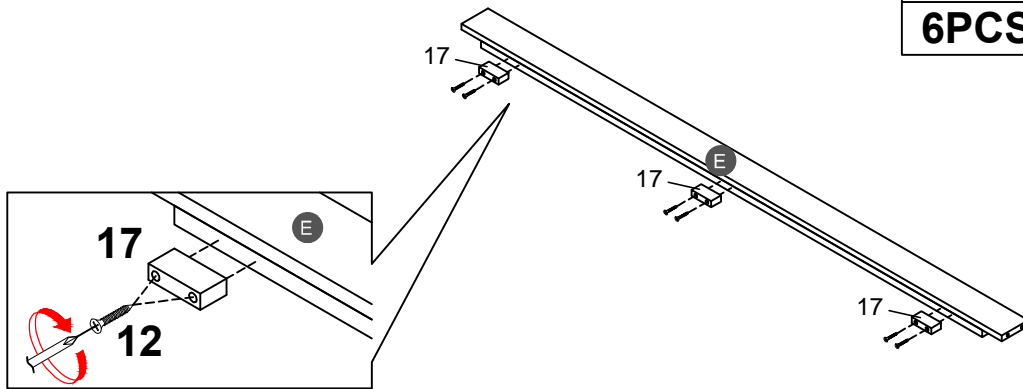
STEP 2:

10	
2PCS	





STEP 3:

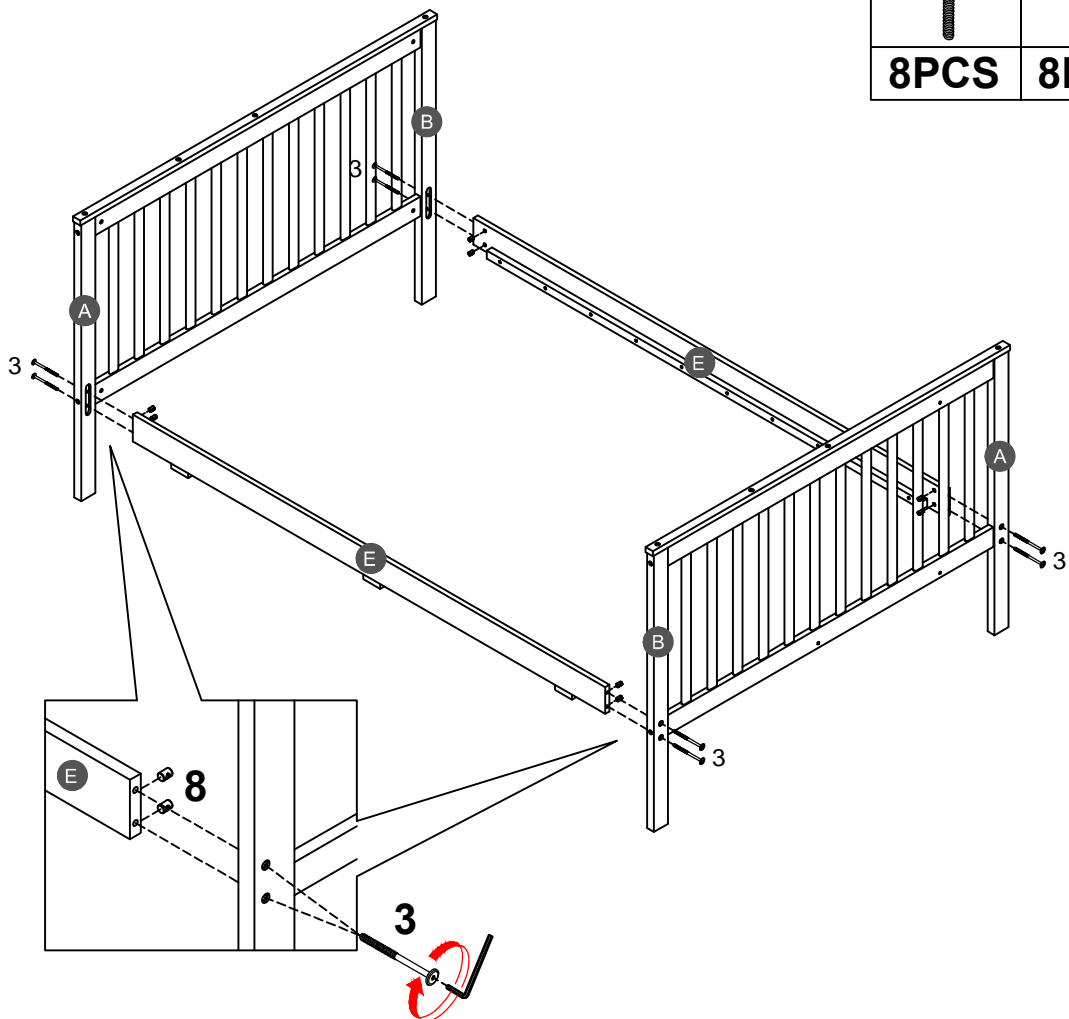
12 	17 
6PCS	3PCS



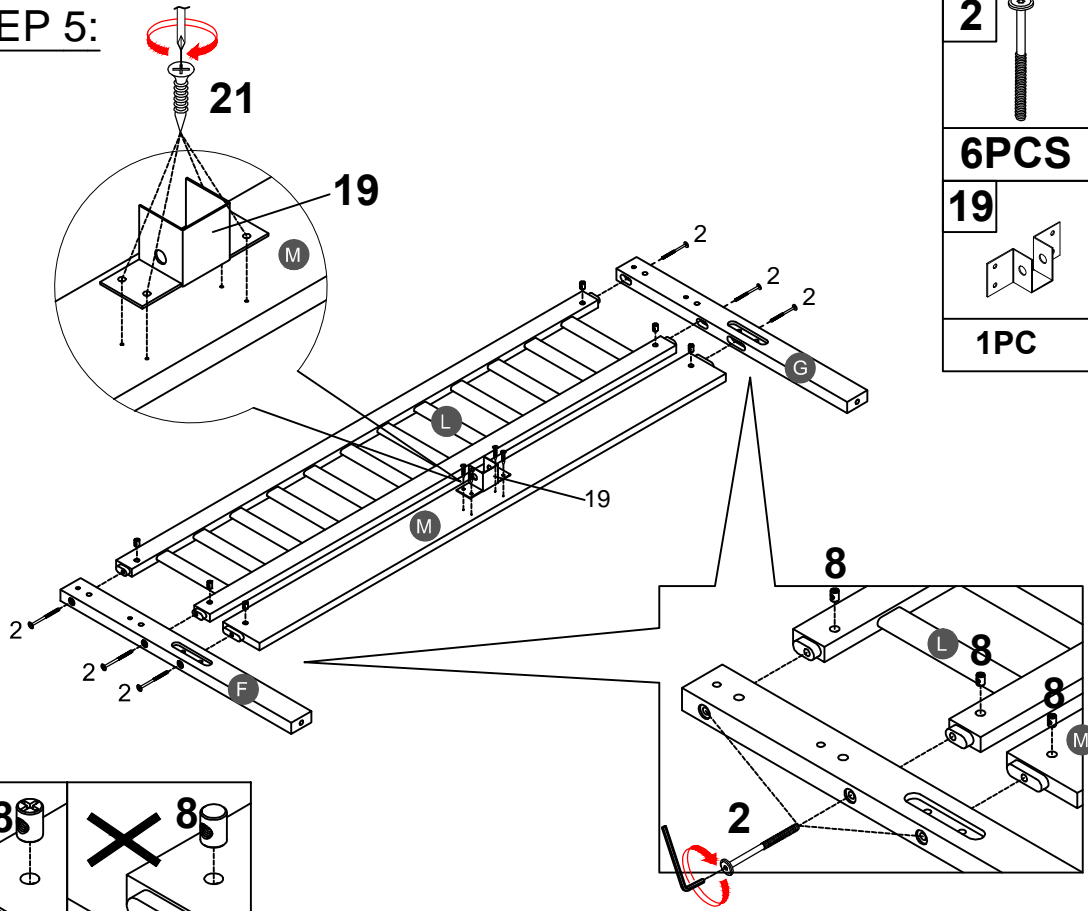
Drawer stopper (17) with lower side rail front (E) by using screw (12).

STEP 4:

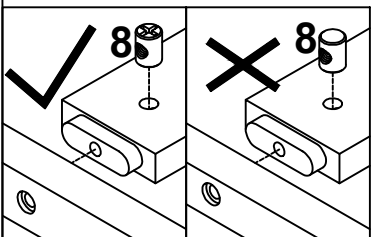
3 	8 
8PCS	8PCS



STEP 5:

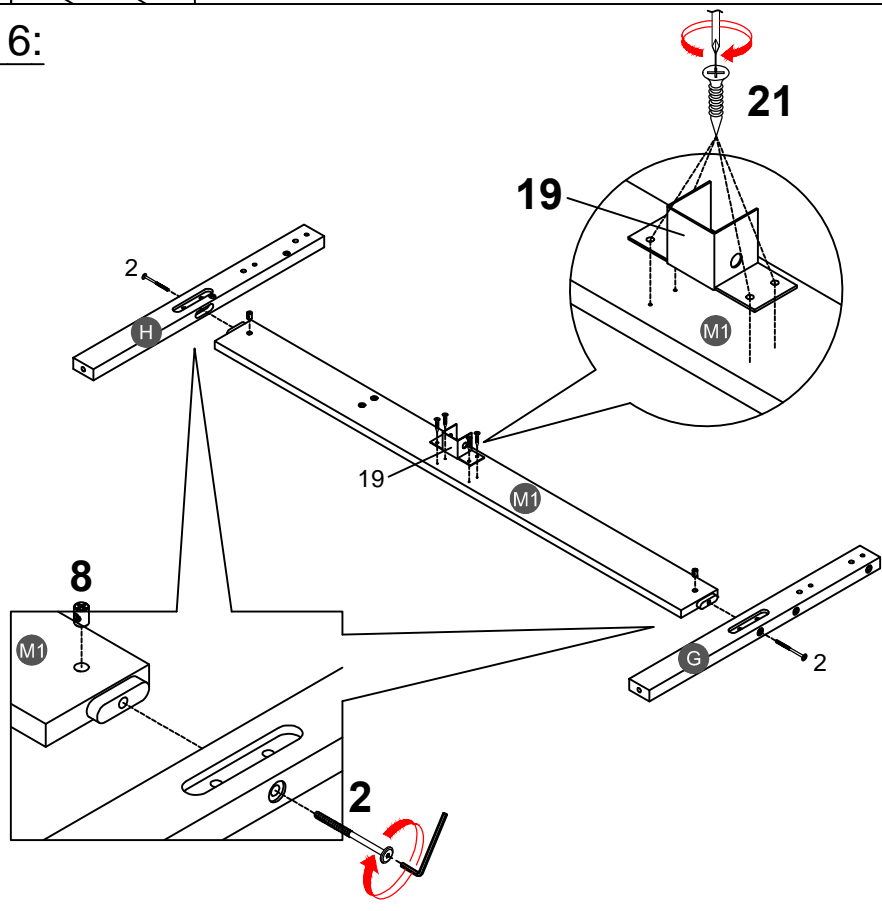


2		8	
6PCS		6PCS	
19		21	
1PC		4PCS	



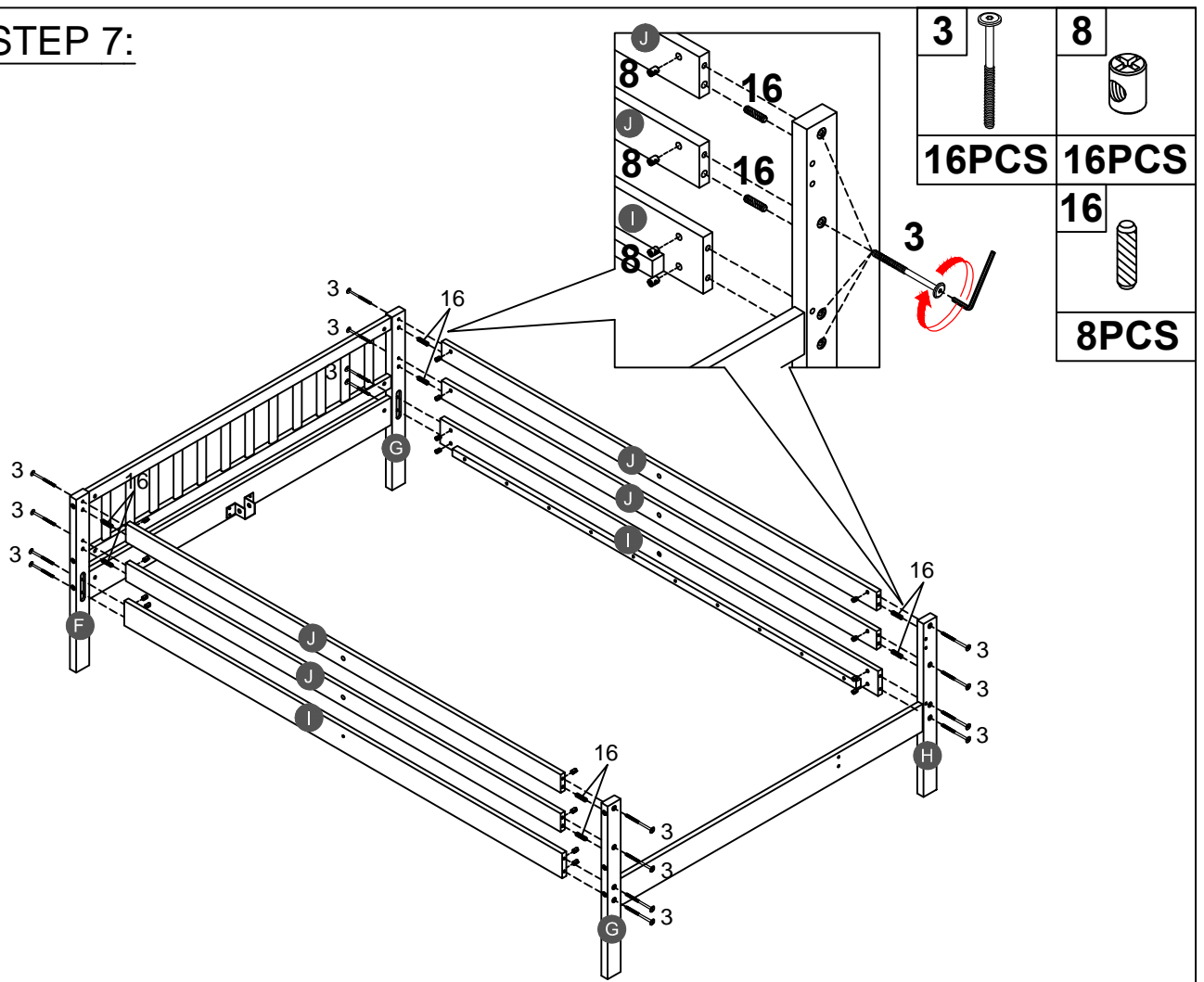
Note: Part 8 will face up with the "x" mark on it, otherwise it cannot be tightened

STEP 6:

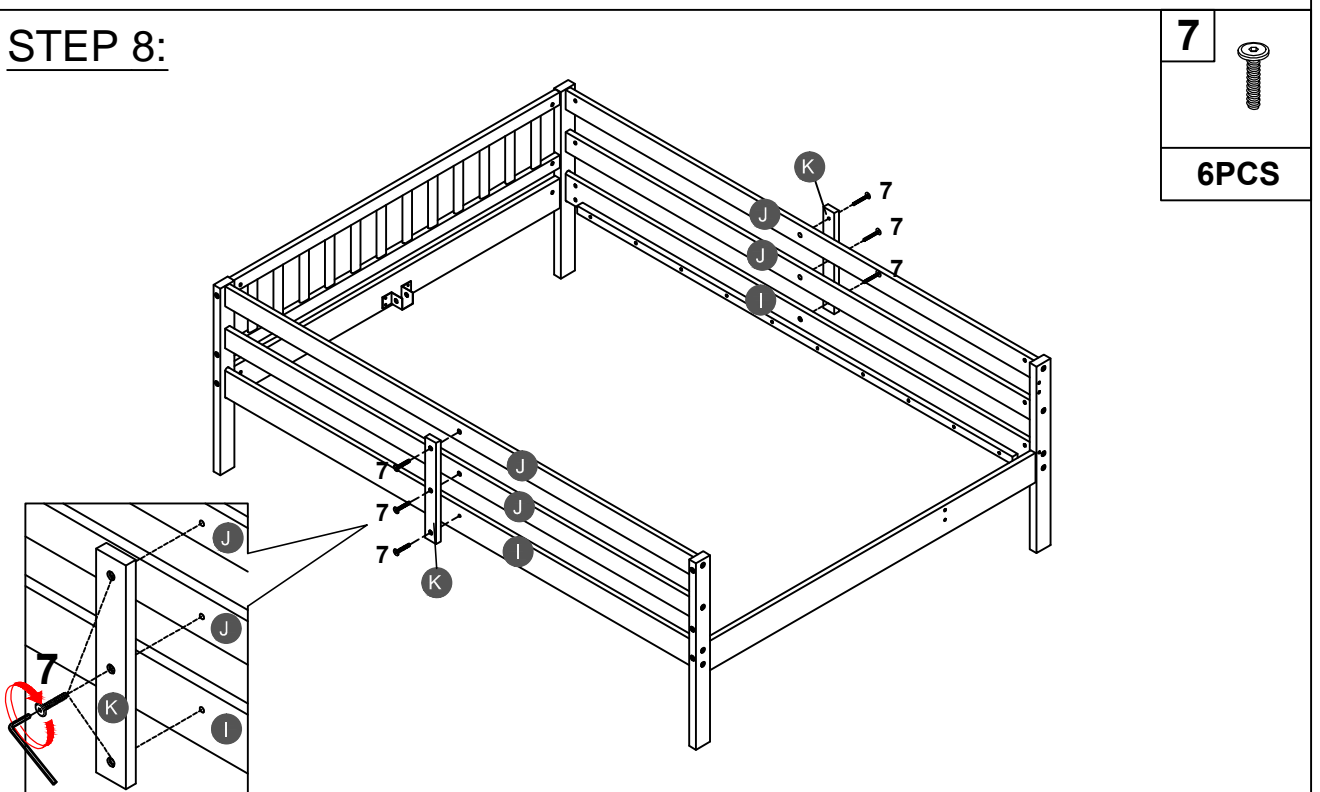


2		8	
2PCS		2PCS	
19		21	
1PC		4PCS	

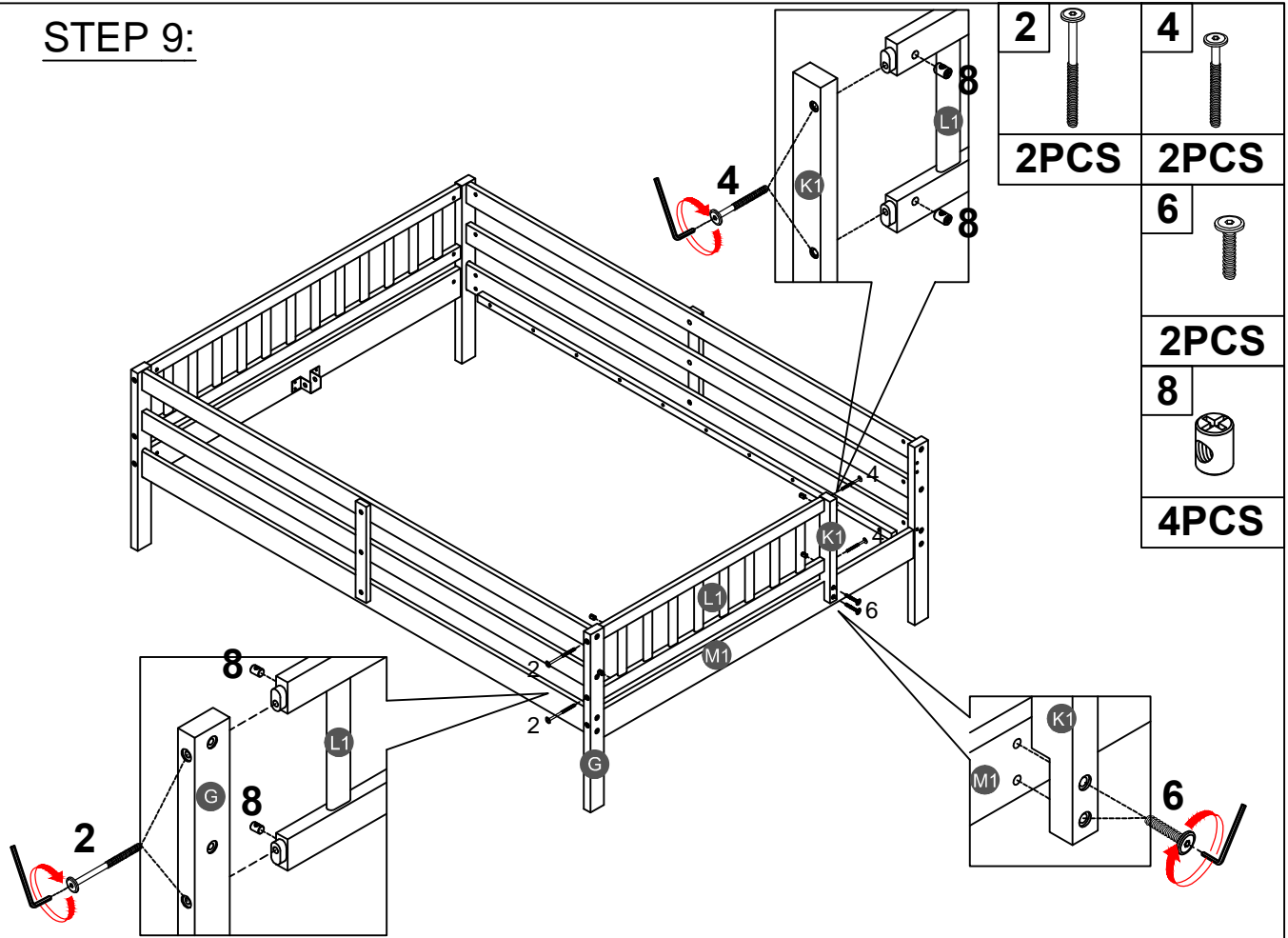
STEP 7:



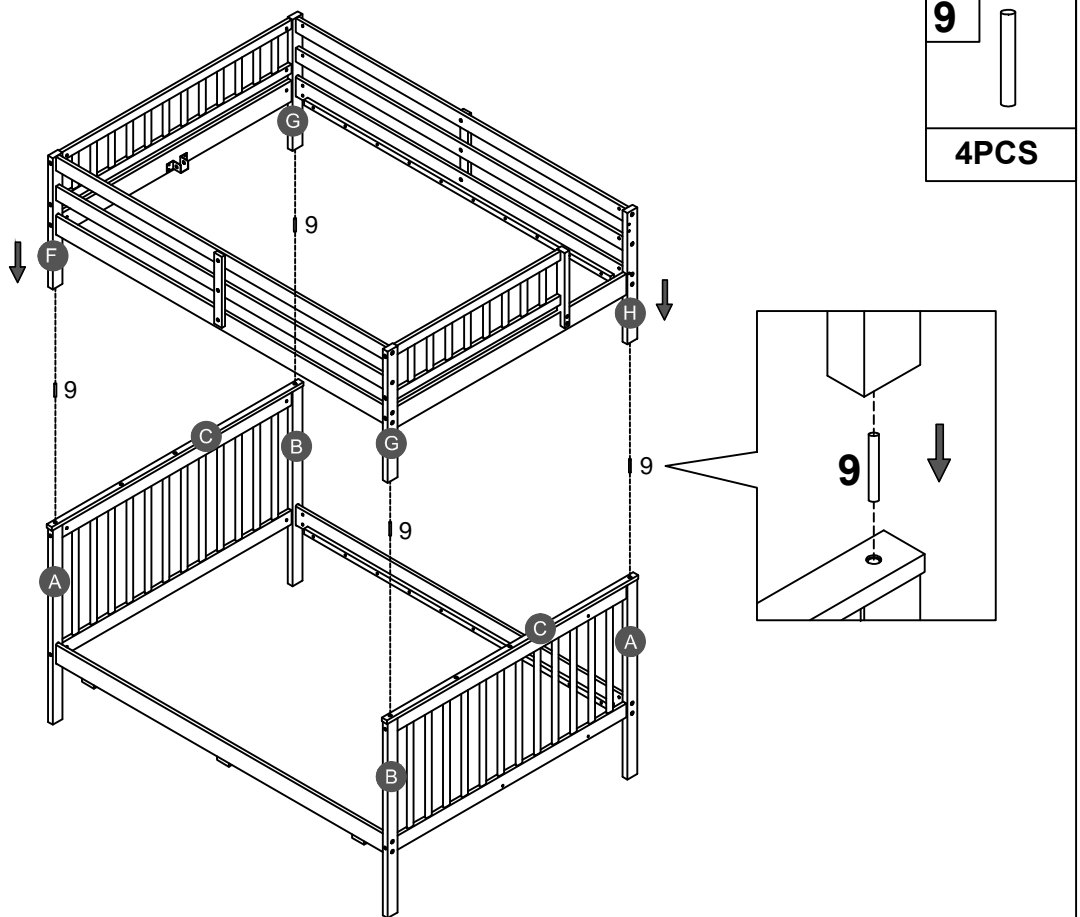
STEP 8:



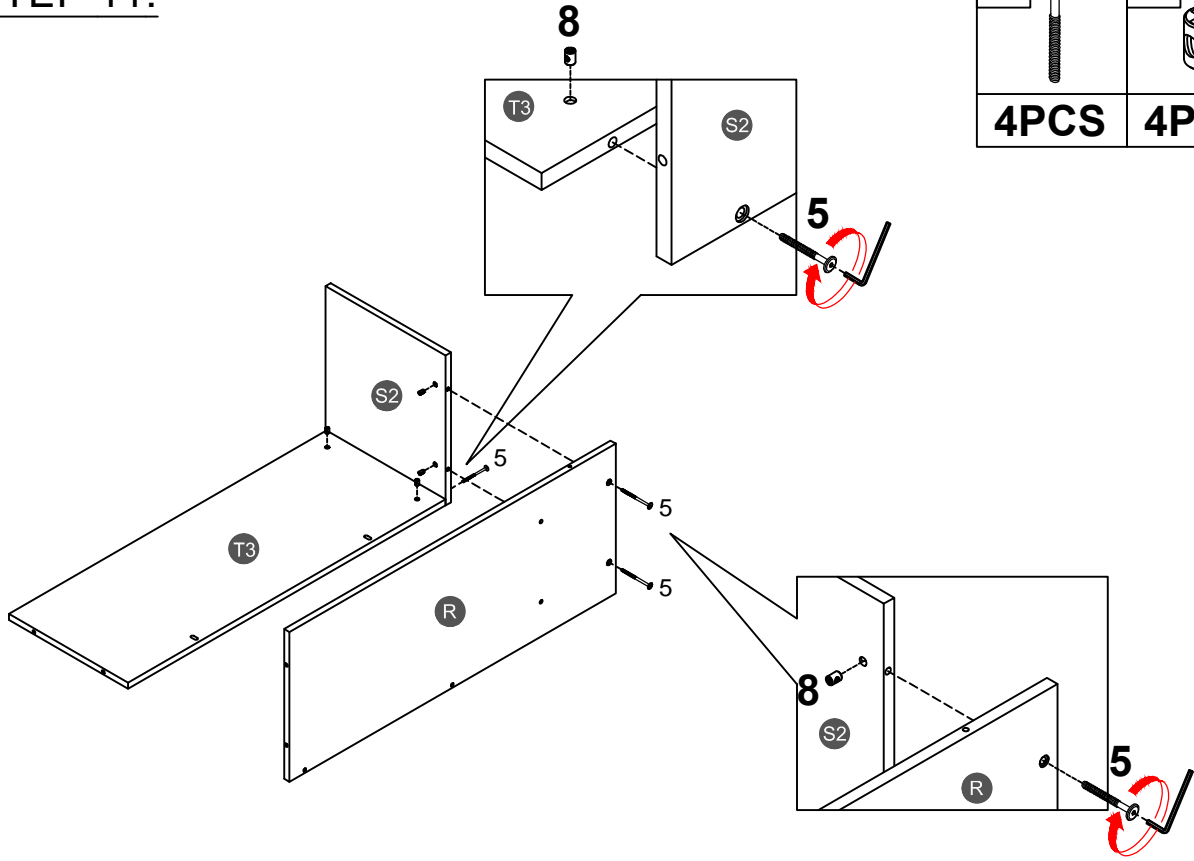
STEP 9:





STEP 10:

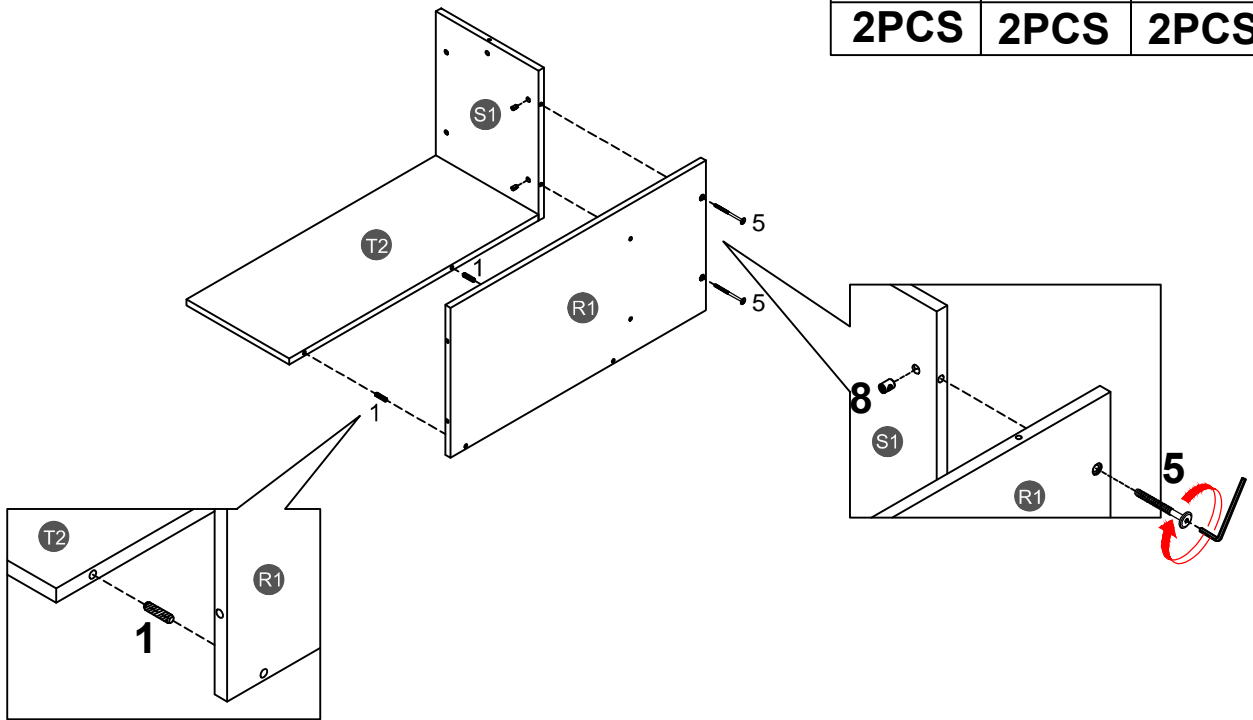





STEP 11:






5		8	
4PCS		4PCS	

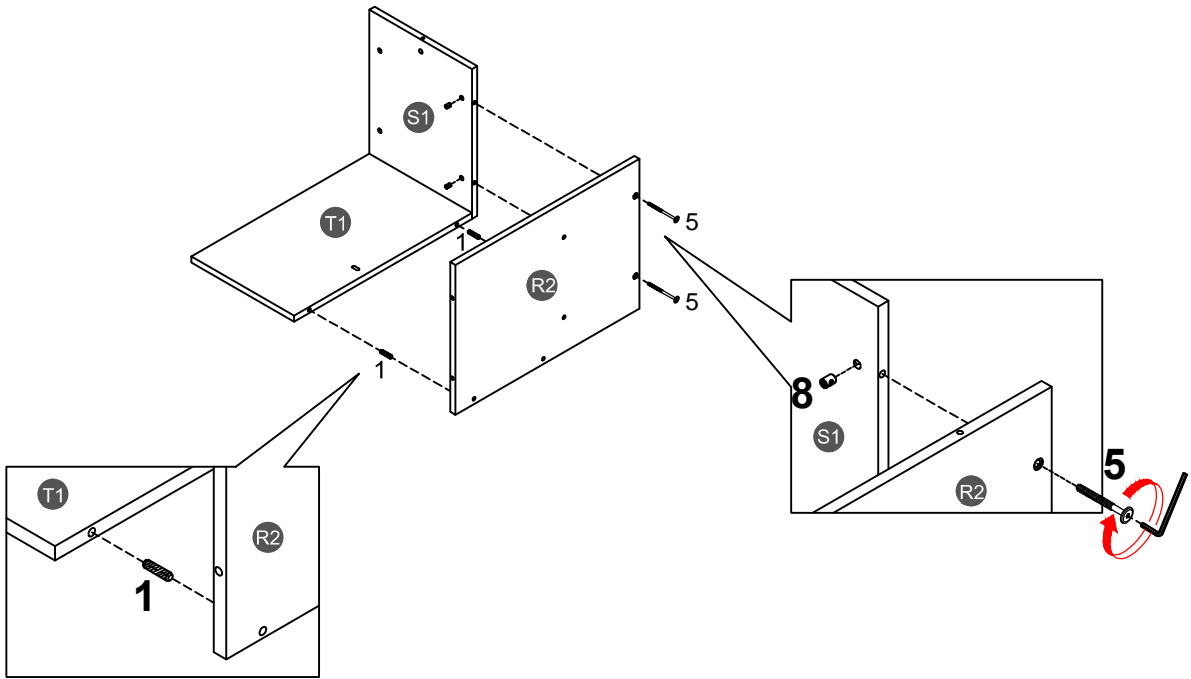
STEP 12:






1		5		8	
2PCS		2PCS		2PCS	

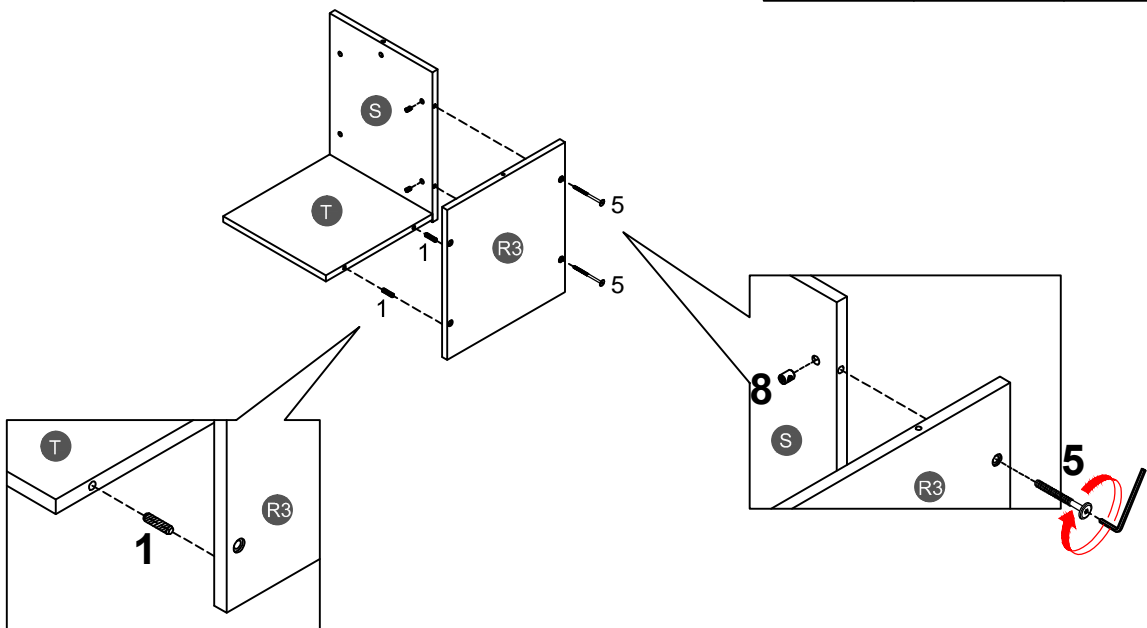
STEP 13:

1 	5 	8 
2PCS	2PCS	2PCS

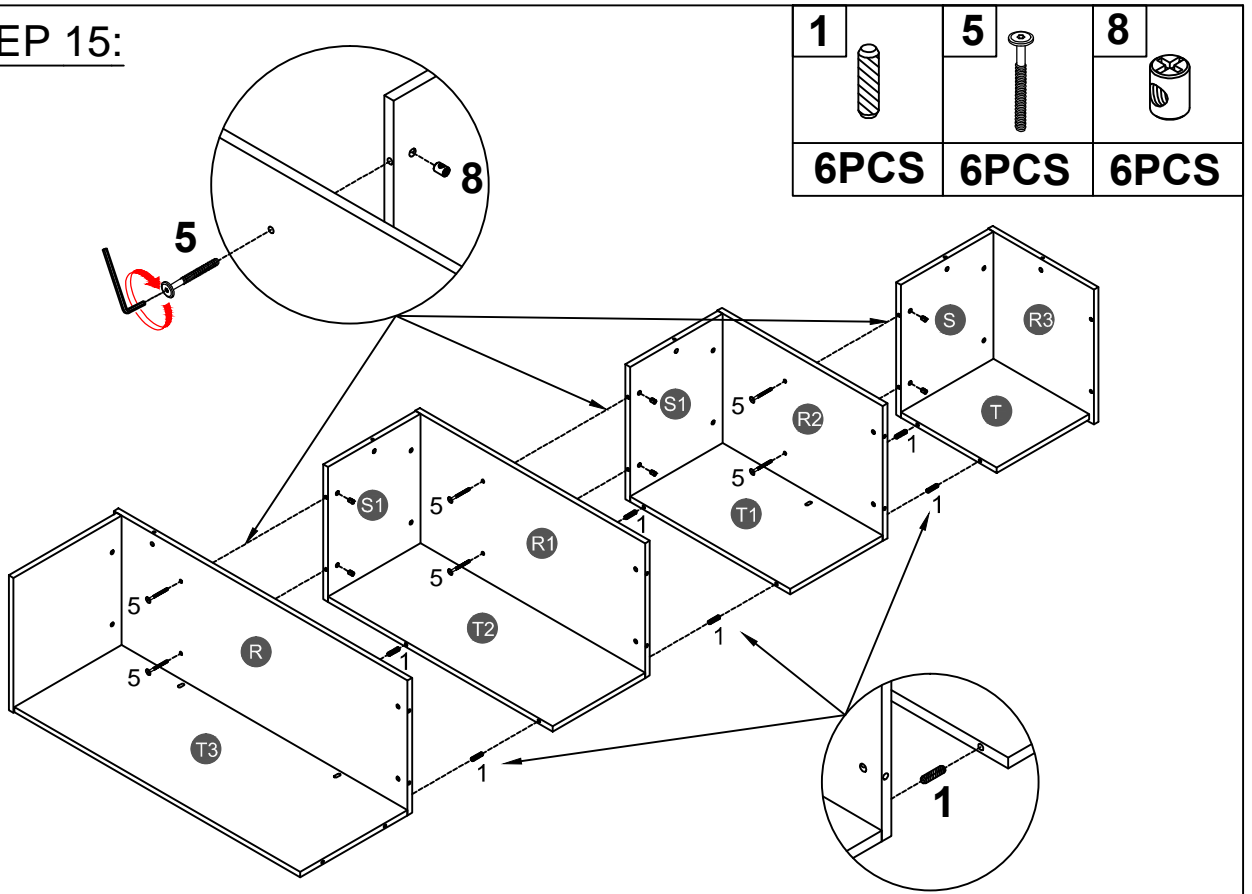


STEP 14:

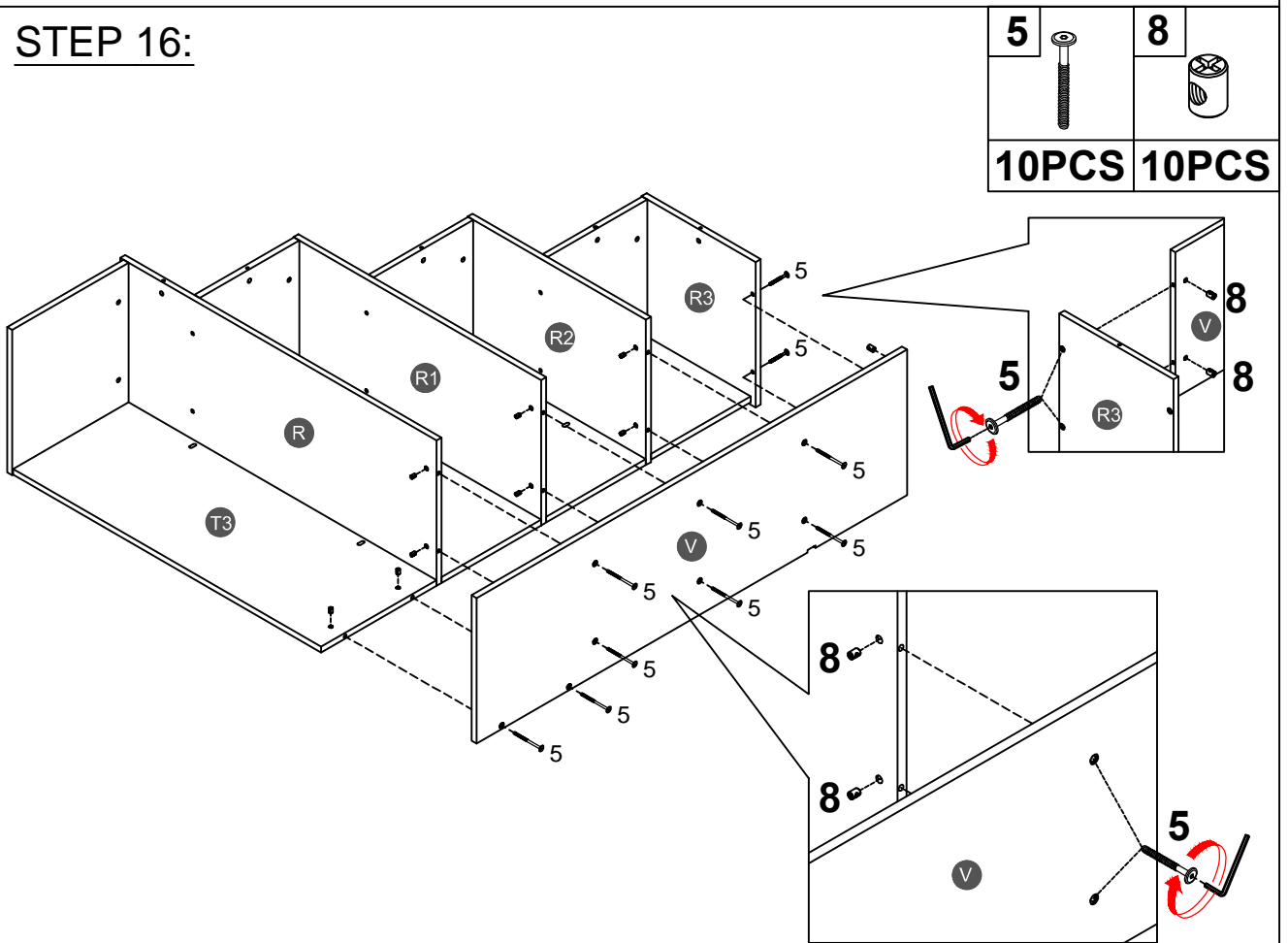
1 	5 	8 
2PCS	2PCS	2PCS



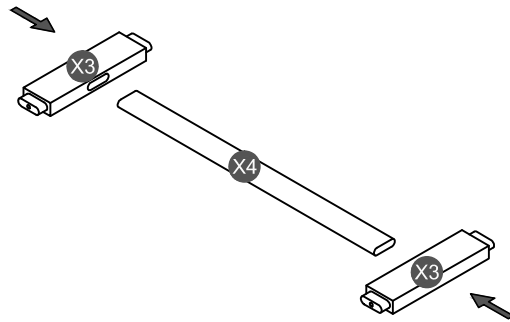
STEP 15:





STEP 16:

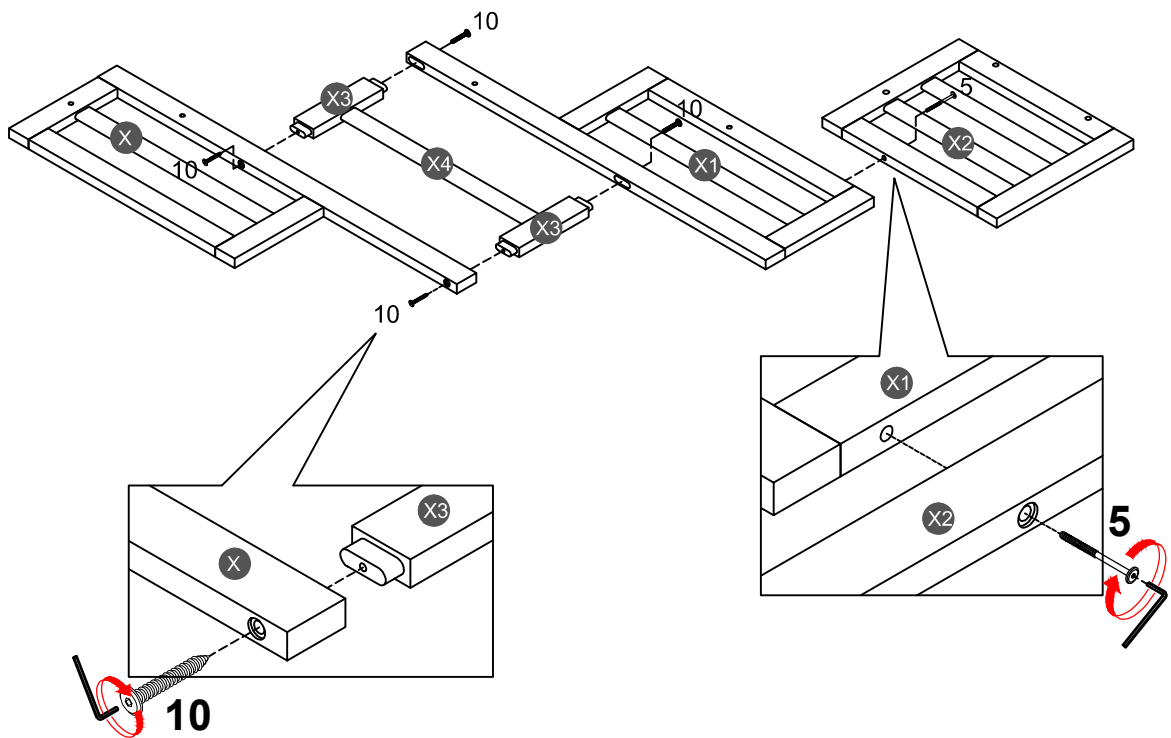


STEP 17:

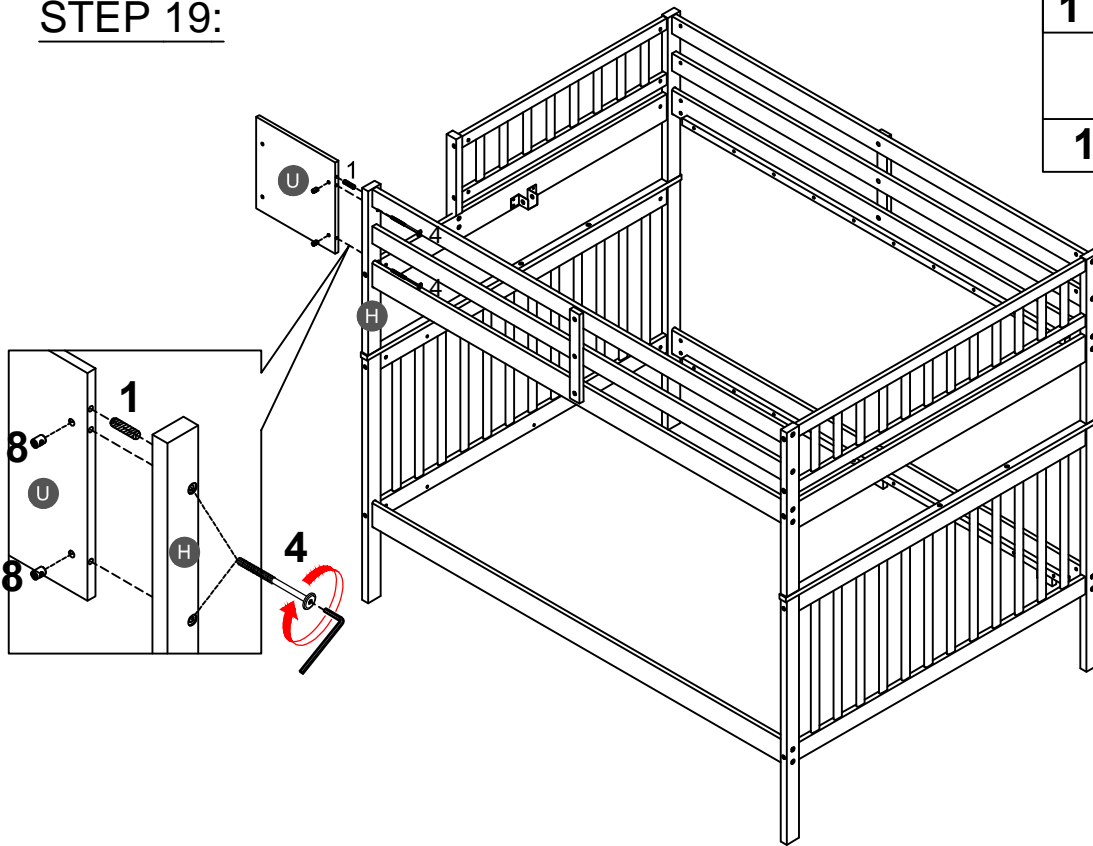


STEP 18:

5		10	
1PC		4PCS	

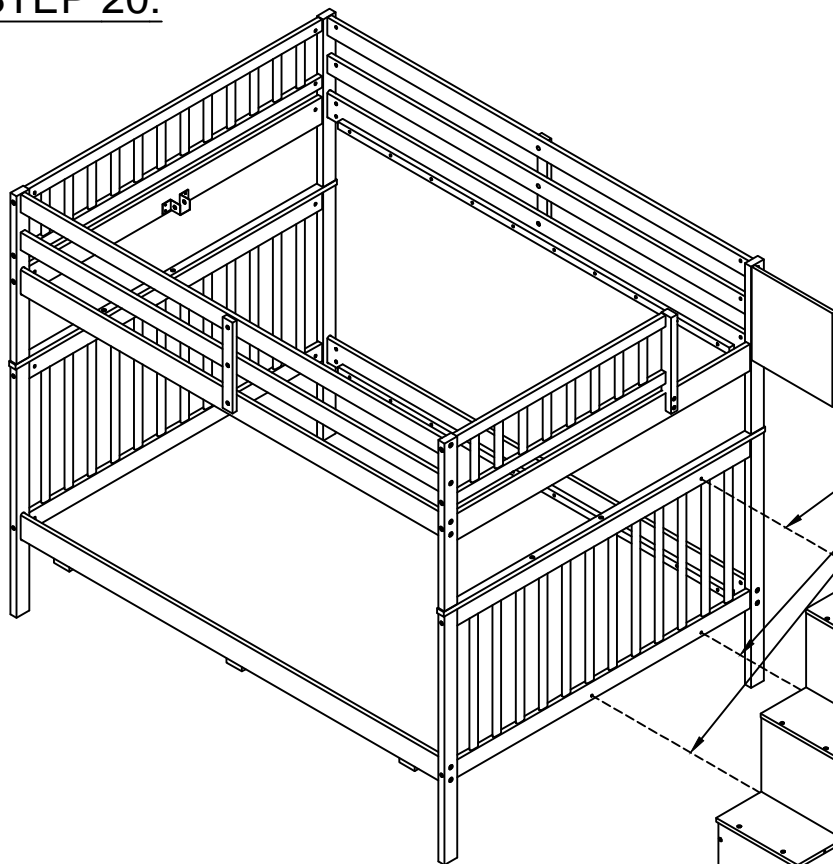


STEP 19:

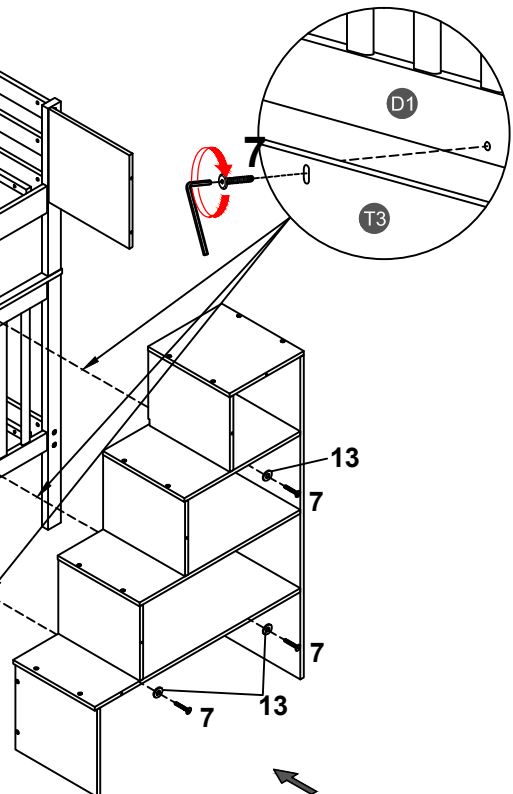


1		4	
1PC		2PCS	
8			
2PCS			

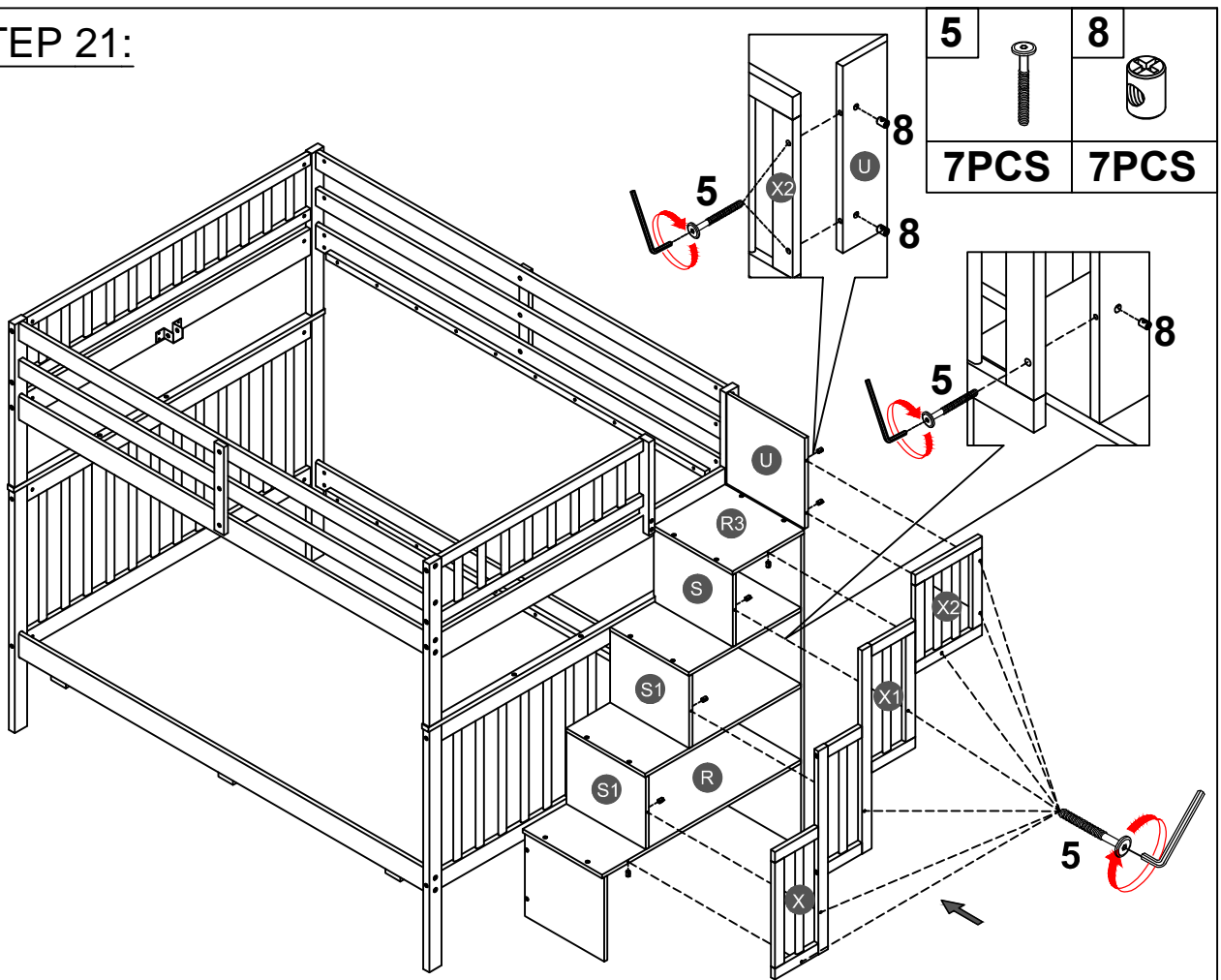
STEP 20:



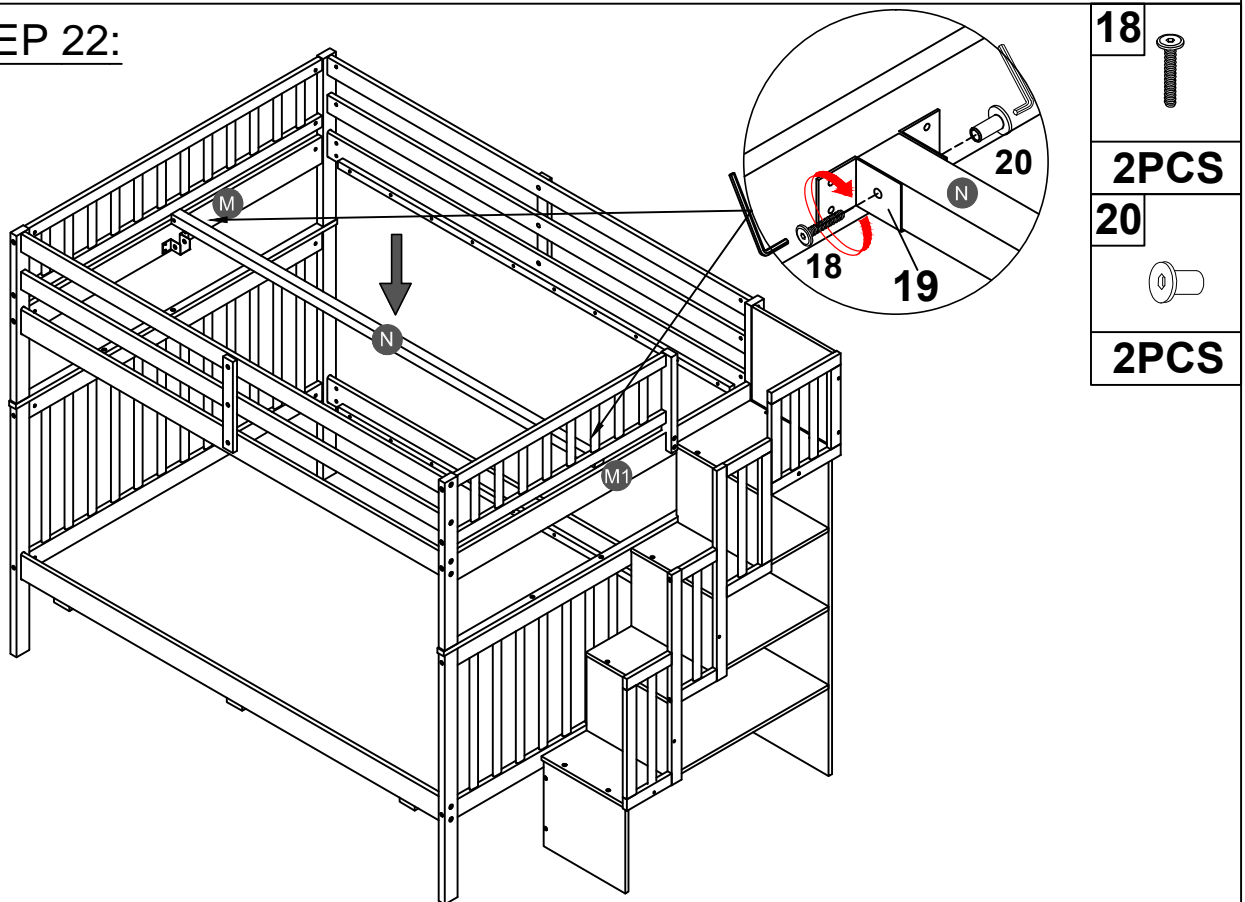
7		13	
3PCS		3PCS	



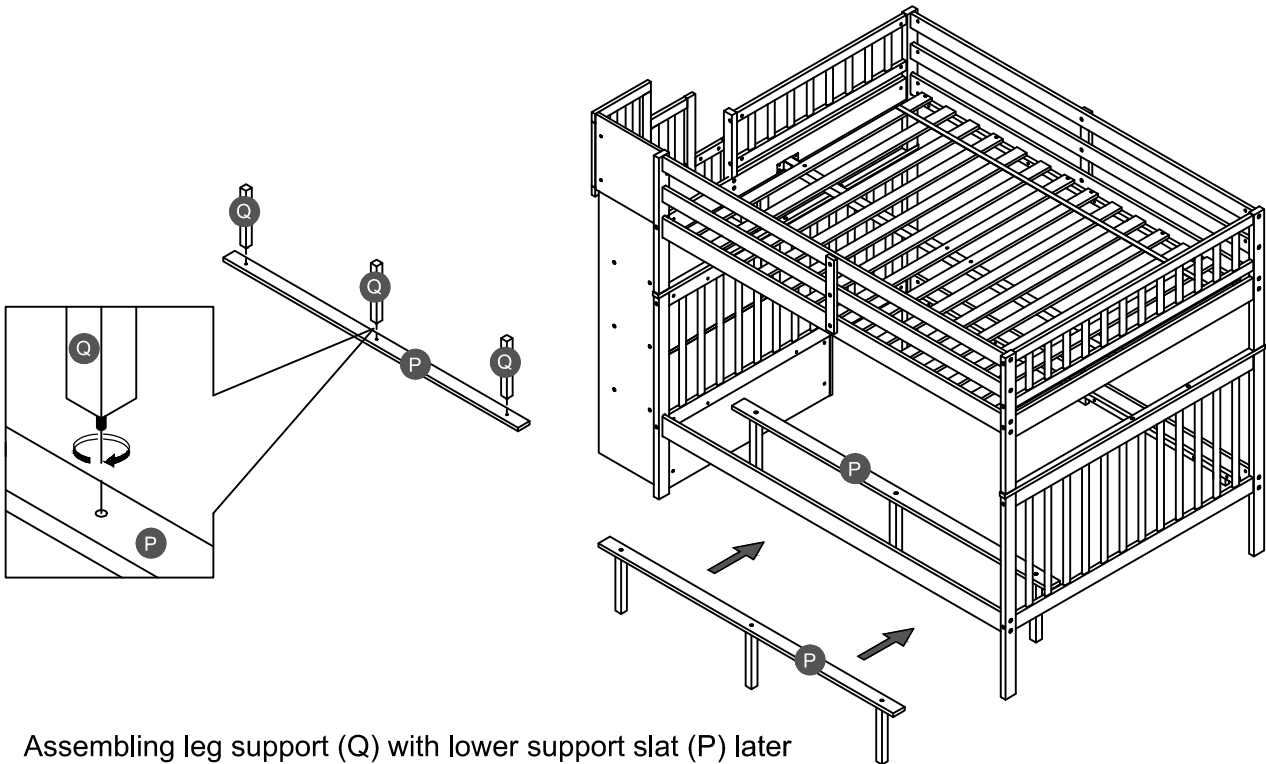
STEP 21:



STEP 22:

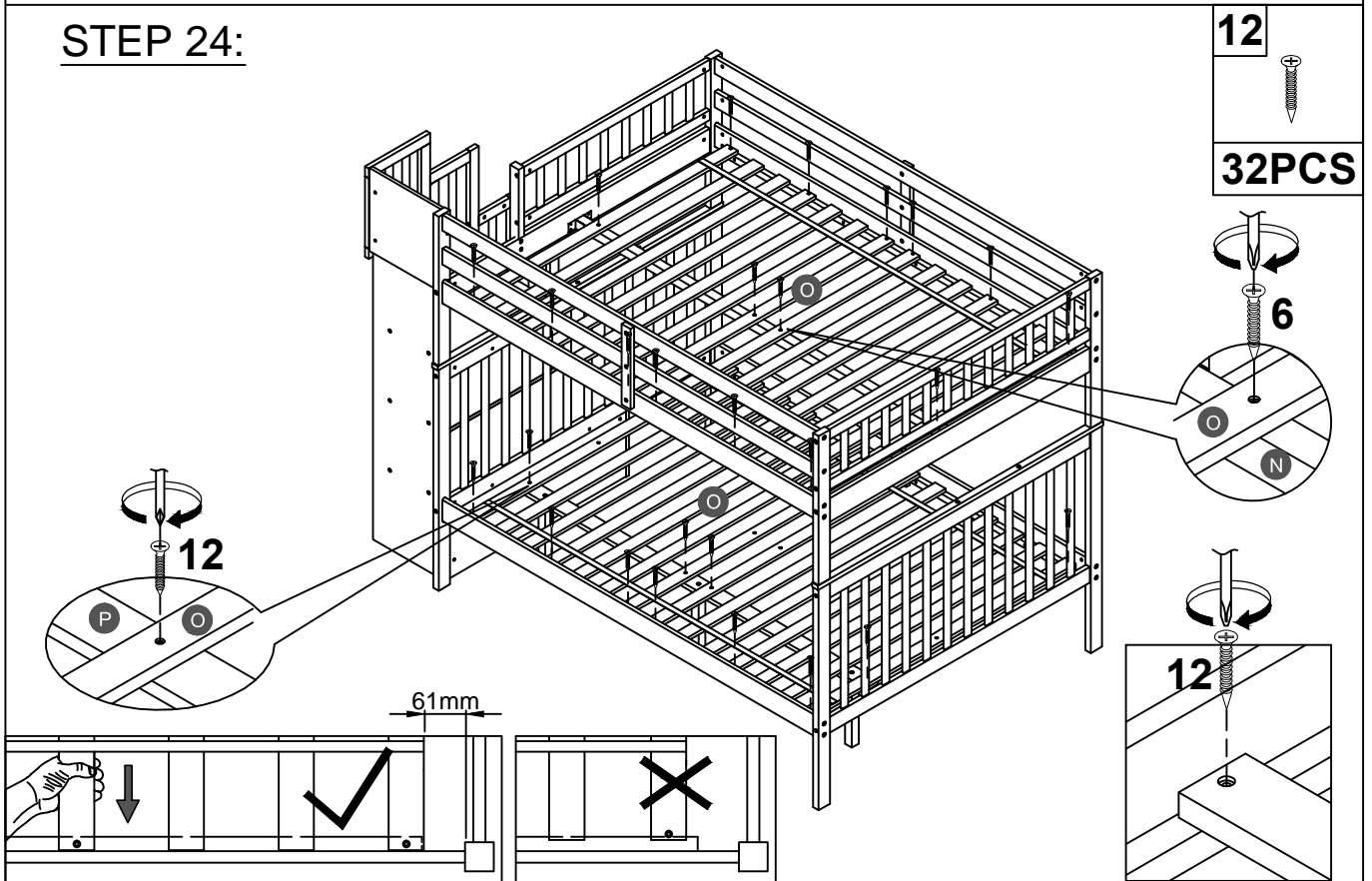


STEP 23:



Assembling leg support (Q) with lower support slat (P) later rotate, Move support slat inside Full bunkbed.

STEP 24:



12

32PCS

6

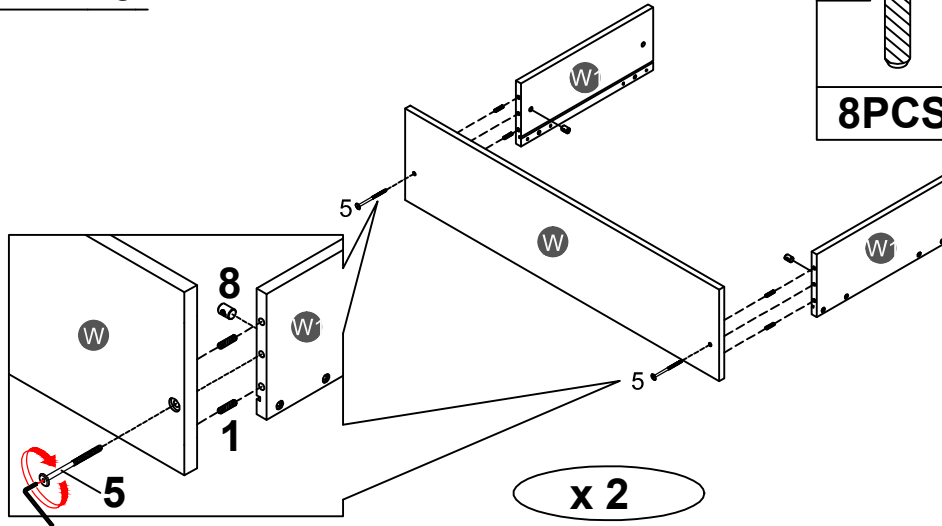
12

12

61mm

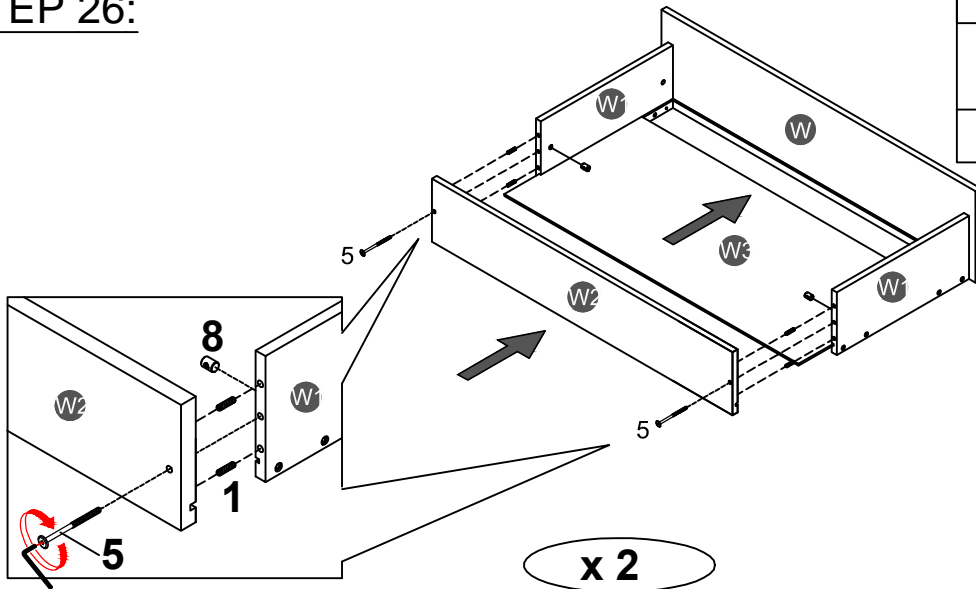
Note: Do not lock the screws of the bed slats to the outermost edge of the bed slats, you need to leave a certain space at the edges, otherwise it will cause the board to break. Do not lock the bed slats on the edge of the wood, please hold firmly before screwing, hold it in place with one hand, then lock the screw.

STEP 25:



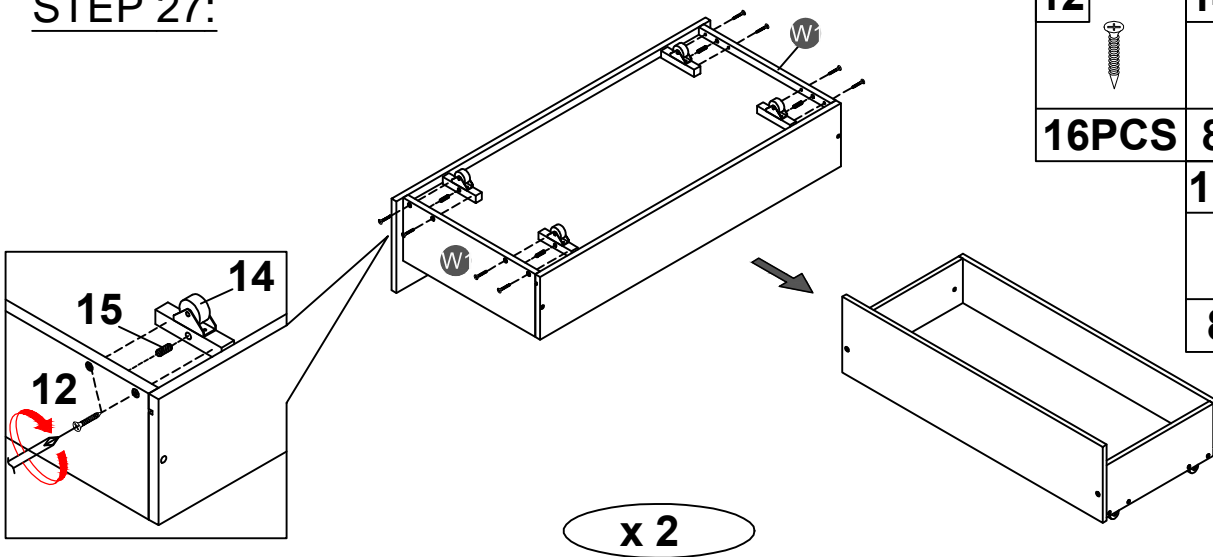
1 	5 	8
8PCS	4PCS	4PCS

STEP 26:



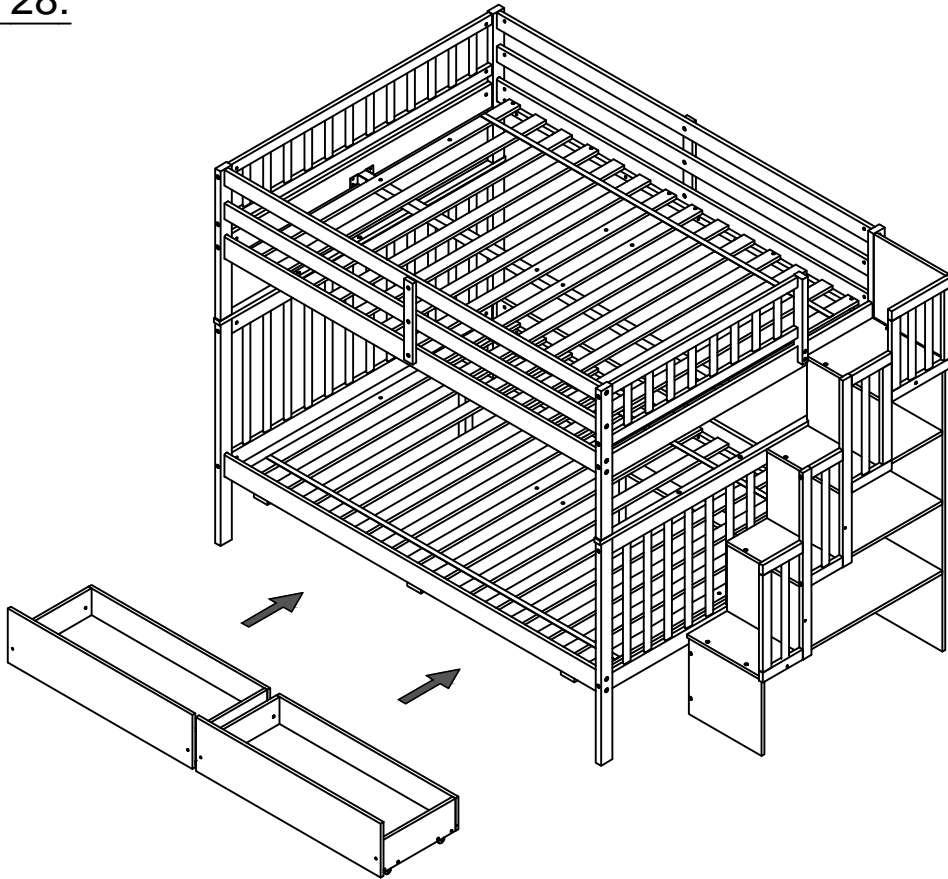
1 	5
8PCS	4PCS
	8
	4PCS

STEP 27:



12 	14
16PCS	8PCS
	15
	8PCS

STEP 28:



Push Drawer under the bottom of Bunk Bed.

