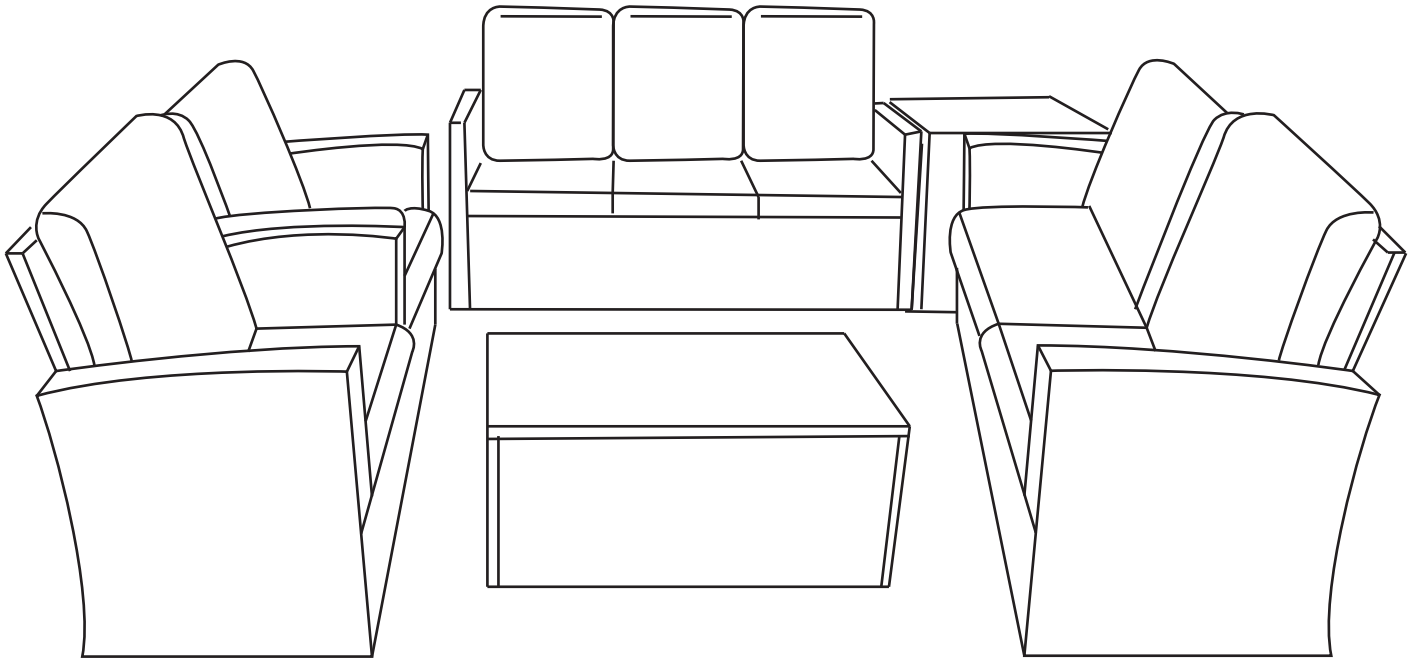


ASSEMBLY INSTRUCTIONS

PE Rattan Furniture Set

Thanks for choosing our product. Please kindly check parts listed below and read this manual carefully, then assemble them step by step. Please feel free to contact us for any questions.



Attention

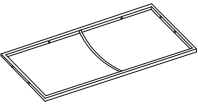

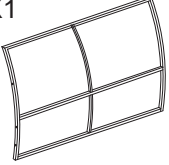
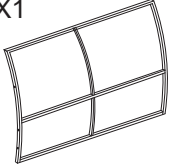
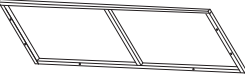
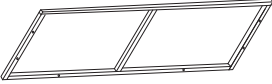
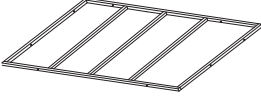
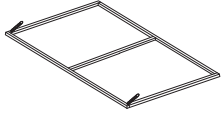
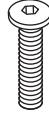
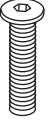
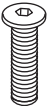
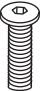


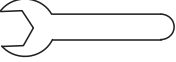


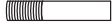


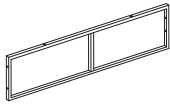
1. THE PE RATTAN FURNITURE SET COMES WITH 3 SEPARATE BOXES AND MAY ARRIVE AT DIFFERENT TIME, PLEASE BE PATIENT! PLEASE CHECK THE PARTS LIST CAREFULLY AND CONTACT US IF THERE IS ANY PROBLEM.

2. Please follow the instruction step by step to complete the installation, finish one part by part. Please contact us if you have any questions.

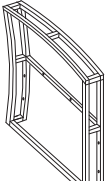
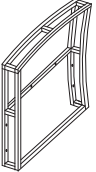
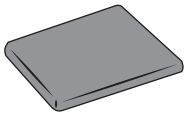
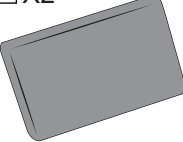
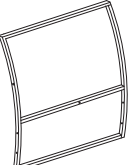
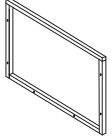
3. We recommend to use waterproof furniture cover for entire furniture set which better helps you to protect your furniture set outside.

4. Sofa cushion covers can be removed and cleaned. We recommend that 2 person assemble set .

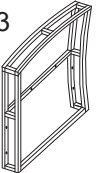
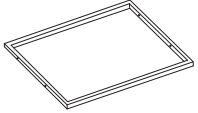
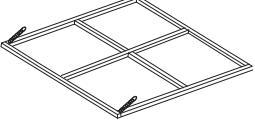
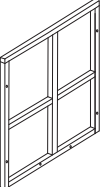
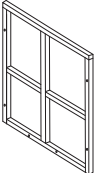
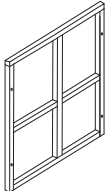
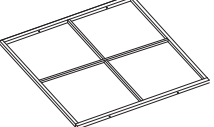
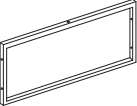
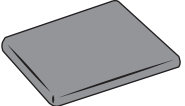
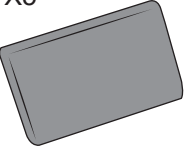
Package A Parts List

| | | | | |
|---|--|---|---|---|
| D X2  Seat Panel | E X25  Adjustable Feet Pad | G X1  Backrest Panel | H X1  Backrest Panel | I1 X1  Table Panel |
| I2 X1  Table Panel | K X1  Table Bottom Panel | L X1  Table Top Panel | Q X61  M6*55 Screw | R X7  M6*35 Screw |
| R1 X32  M6*30 Screw | S X4  M6*20 Screw | T X3  Allen Key | U X61  Nut | V X3  Wrench |
| W X166  Washer | X X4  Washer | Y X9  Screw | a1 X1  Table Interior Cover | a2 X1  Storage Interior Cover |
| Z1 X2  Seat Front Panel | | | | |

Package B Parts List

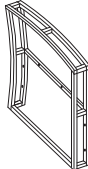
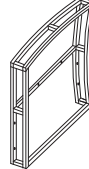
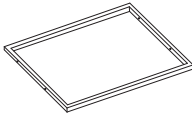
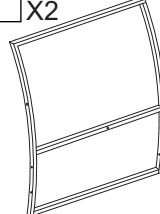
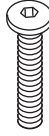



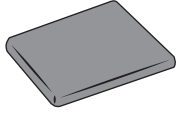
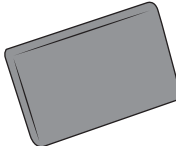

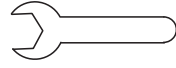
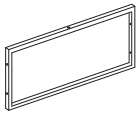
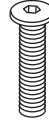

| | | | | | |
|---|--|---|--|--|---|
| A X4  Right Armrest | B X1  Left Armrest | b1 X5  Seat Cushion | b2 X2  Backrest Cushion | F X3  BackRest Panel | J X2  Table Panel |
|---|--|---|--|--|---|

Package C Parts List

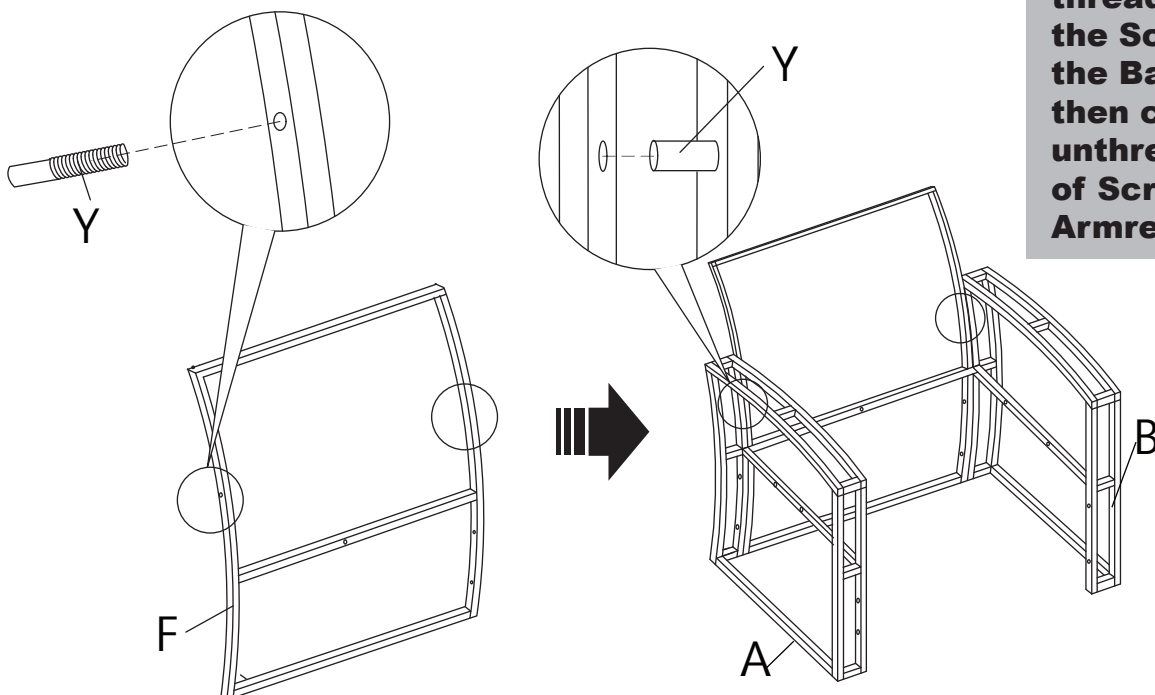
| | | | | |
|---|--|---|--|---|
| B X3  Left Armrest | C X3  Seat Panel | M X1  Storage Top Panel | N1 X1  Storage Panel | N2 X1  Storage Panel |
| O X2  Storage Panel | P X1  Storage Bottom Panel | Z X3  Seat Front Panel | b1 X2  Seat Cushion | b2 X5  Backrest Cushion |

Single Sofa

Parts List (Single Sofa Needed)

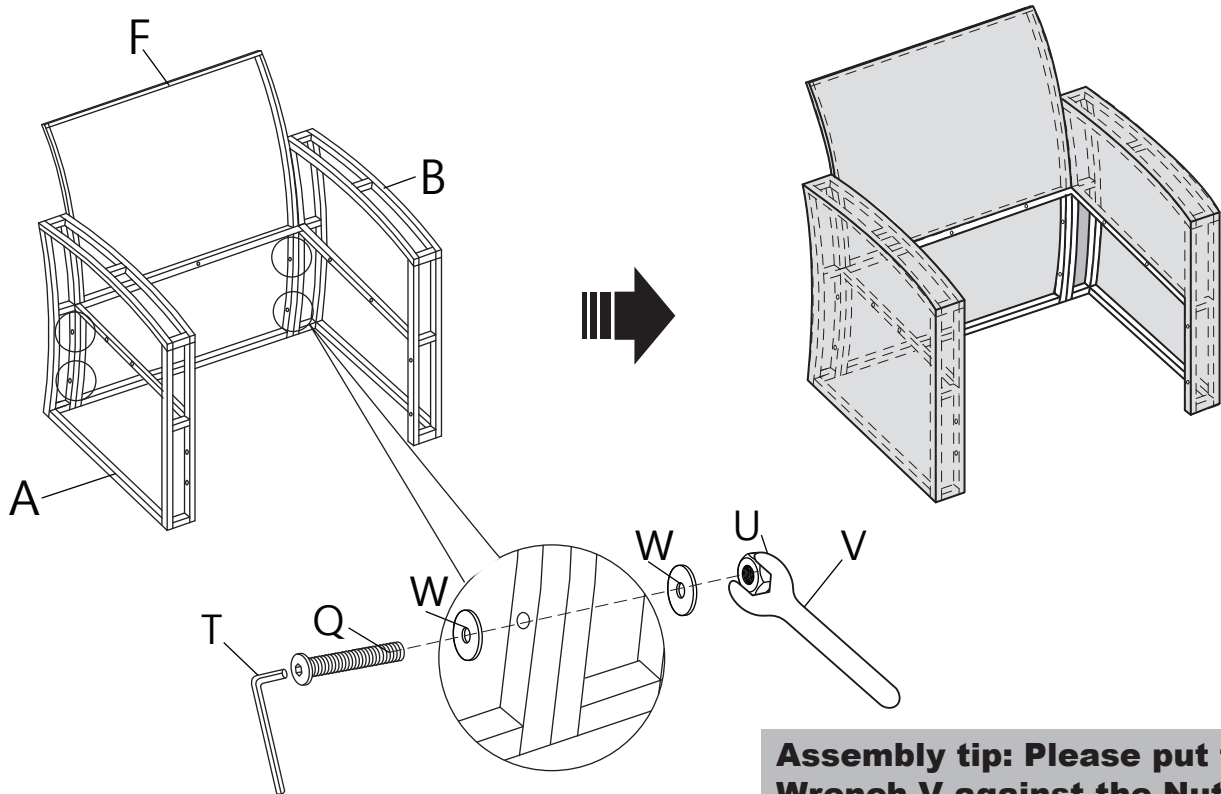
| | | | | | |
|---|--|--|--|--|---|
| A X2  Right Armrest | B X2  Left Armrest | C X2  Seat Panel | F X2  Backrest Panel | Q X26  M6*55 Screw | W X54  Washer |
| U X26  Nut | Y X4  Screw | b1 X2  Seat Cushion | b2 X2  Backrest Cushion | T X1  Allen key | V X1  Wrench |
| Z X2  Seat Front Panel | R X2  M6*35 Screw | E X8  Adjustable Feet Pad | | | |

STEP 1



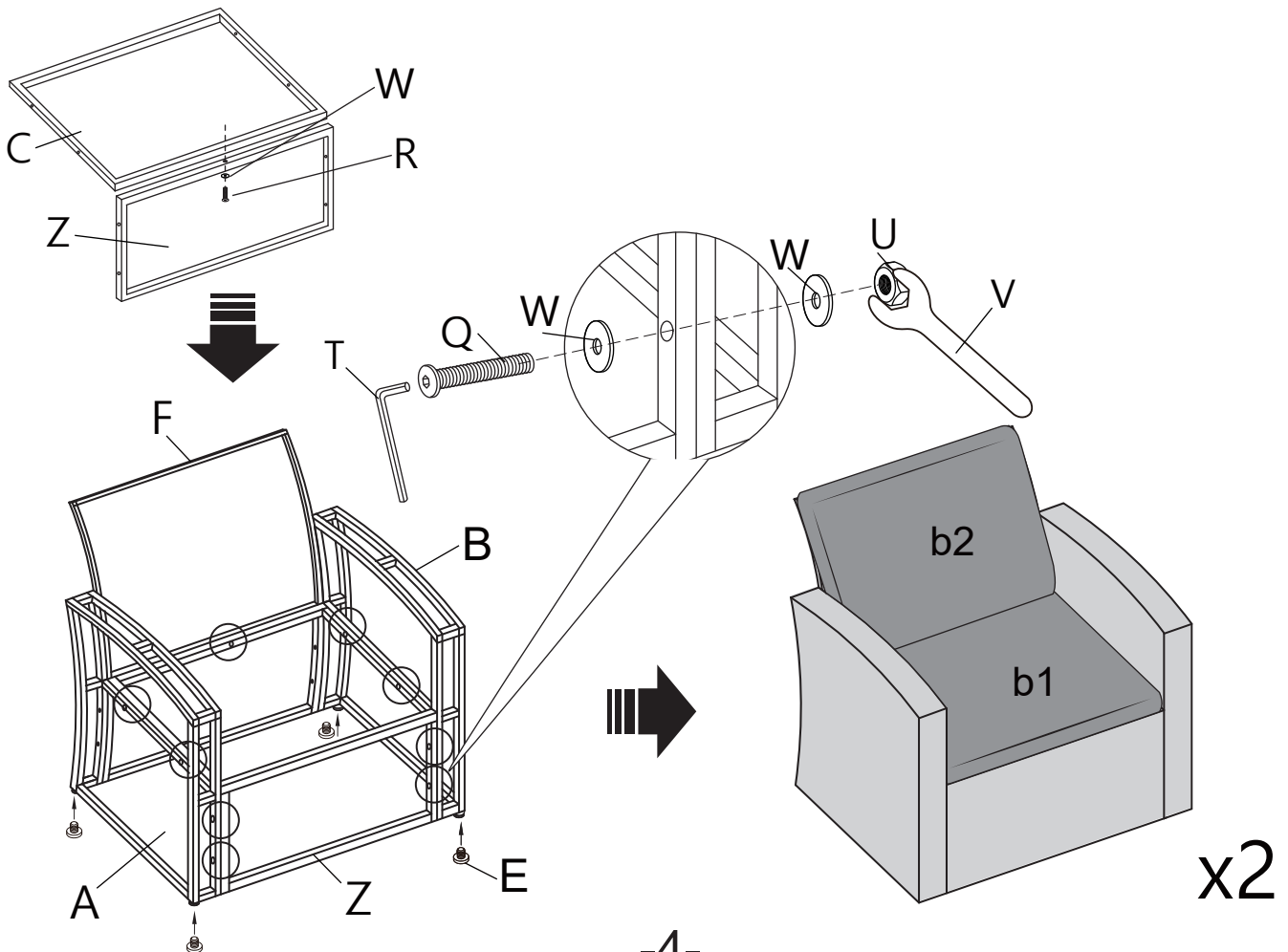
Please insert the threaded section of the Screw Y into the Backrest F and then connect the unthreaded section of Screw Y to the Armrest A.

STEP 2



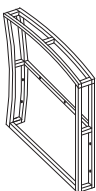
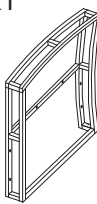
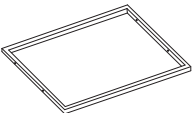
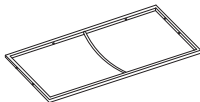
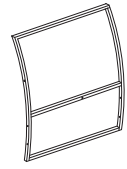
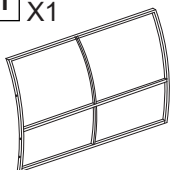
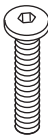



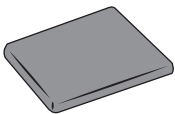
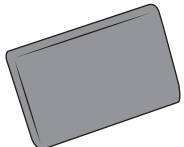


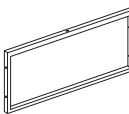
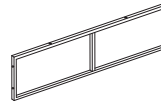
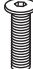

Assembly tip: Please put the Wrench V against the Nut U then rotating Allen Key T to insert the Screw Q.

STEP 3

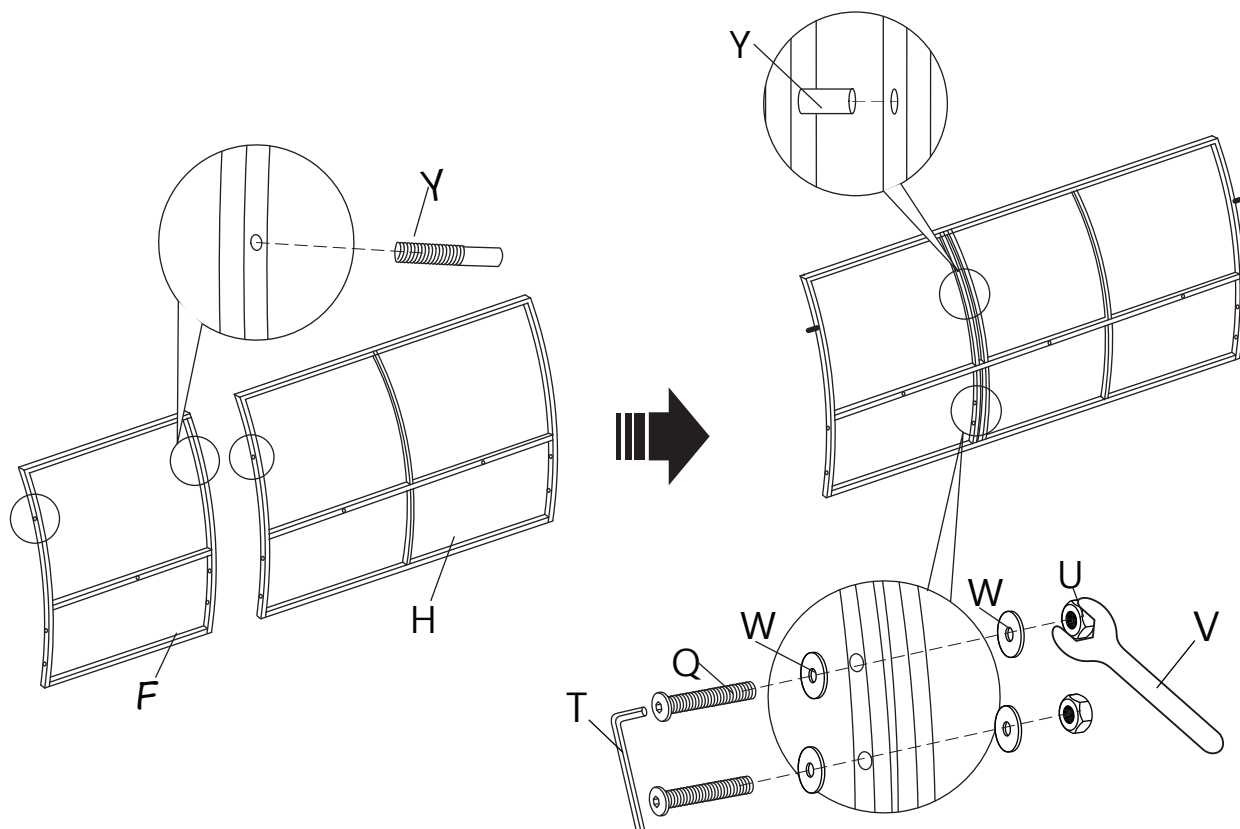


Three person sofa

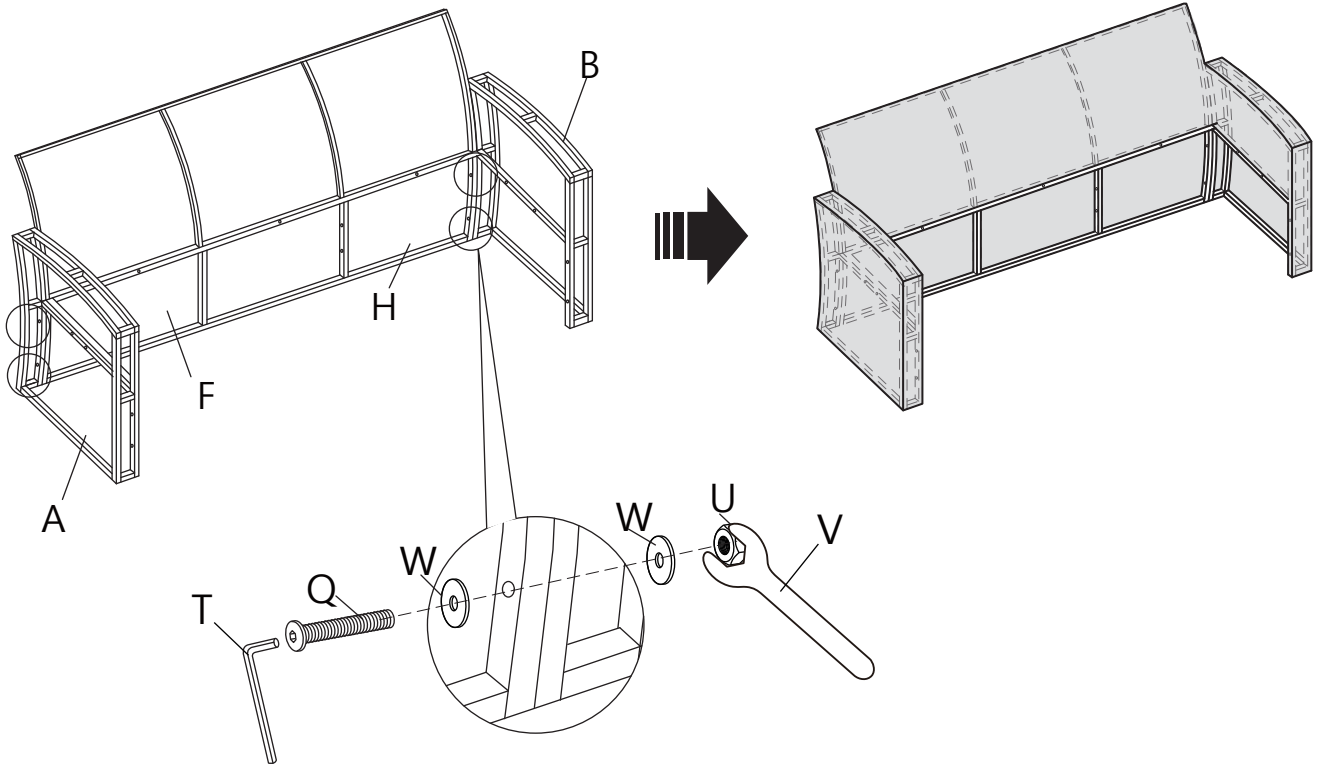
Parts List (Three person Sofa Needed)

| | | | | | |
|---|--|---|--|--|--|
| A X1  Right Armrest | B X1  Left Armrest | C X1  Seat Panel | D X1  Seat panel | F X1  Backrest Panel | H X1  Backrest Panel |
| Q X21  M6*55 Screw | W X45  Washer | U X21  Nut | Y X3  Screw | b1 X3  Seat Cushion | b2 X3  Backrest Cushion |
| T X1  Allen Key | V X1  Wrench | Z X1  Seat Front Panel | Z1 X1  Seat Front Panel | R X3  M6*35 Screw | E X9  Adjustable Feet Pad |

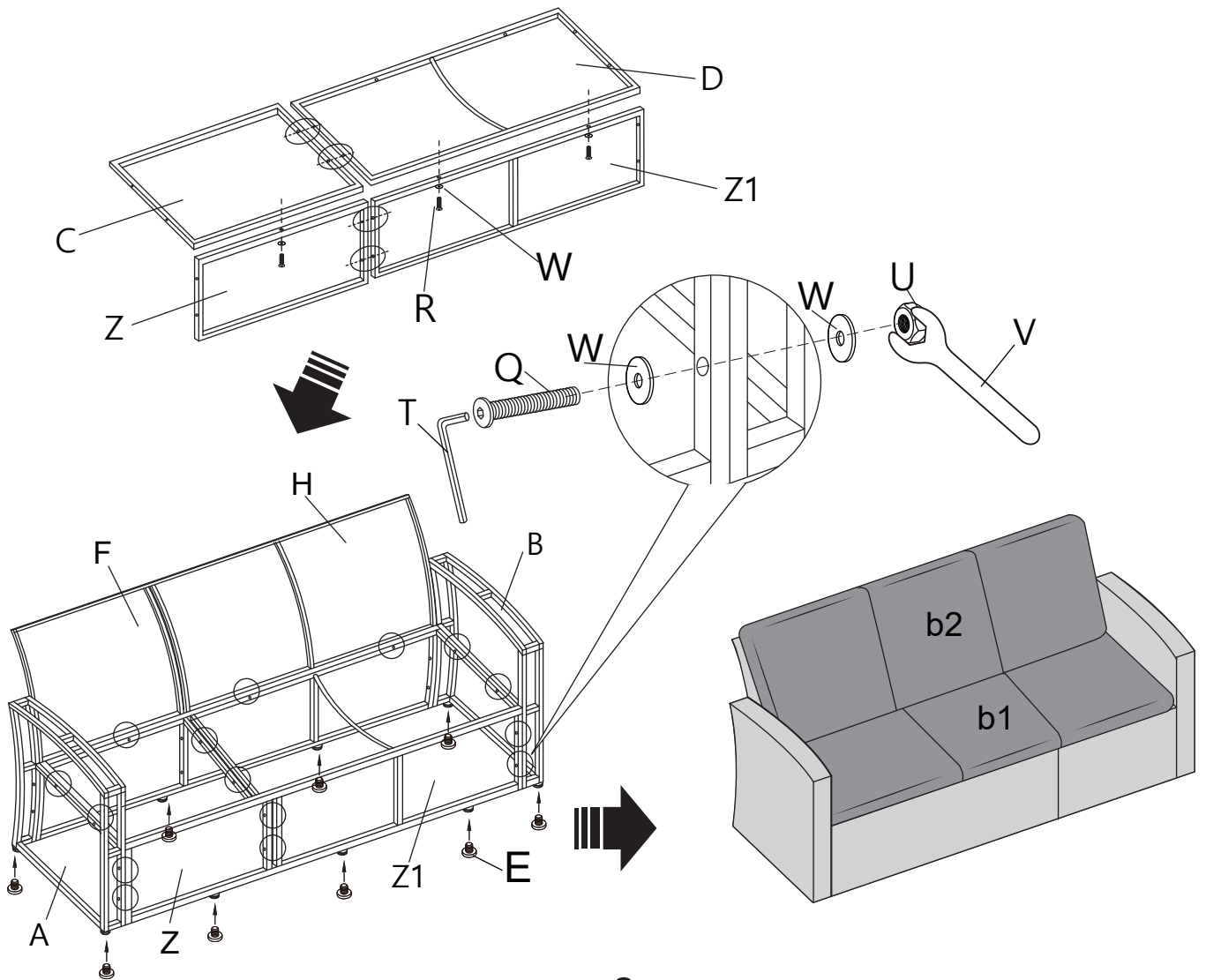
STEP 1



STEP 2

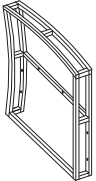
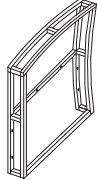
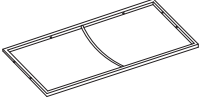
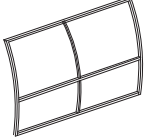
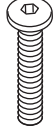



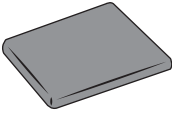
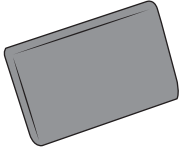

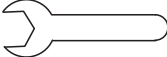
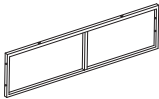




STEP 3

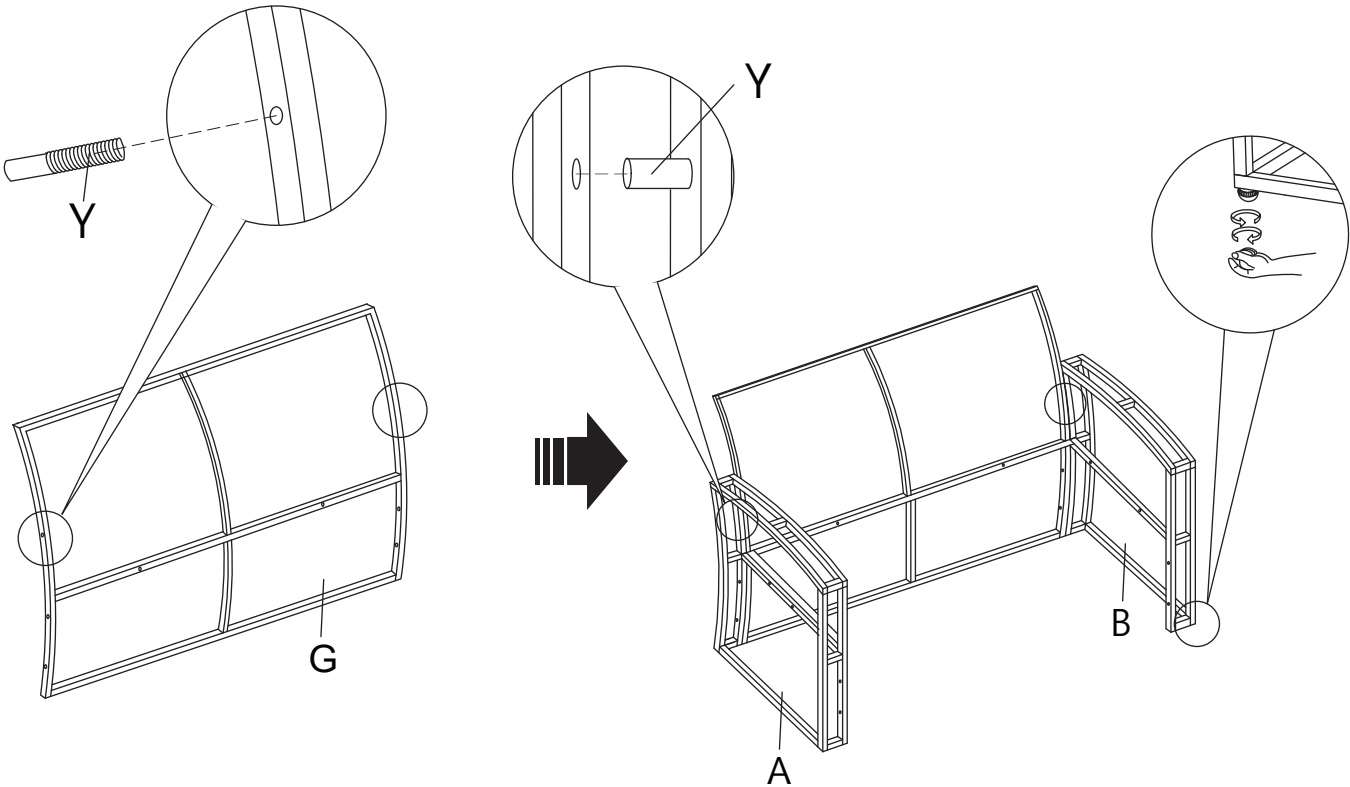


Two person Sofa

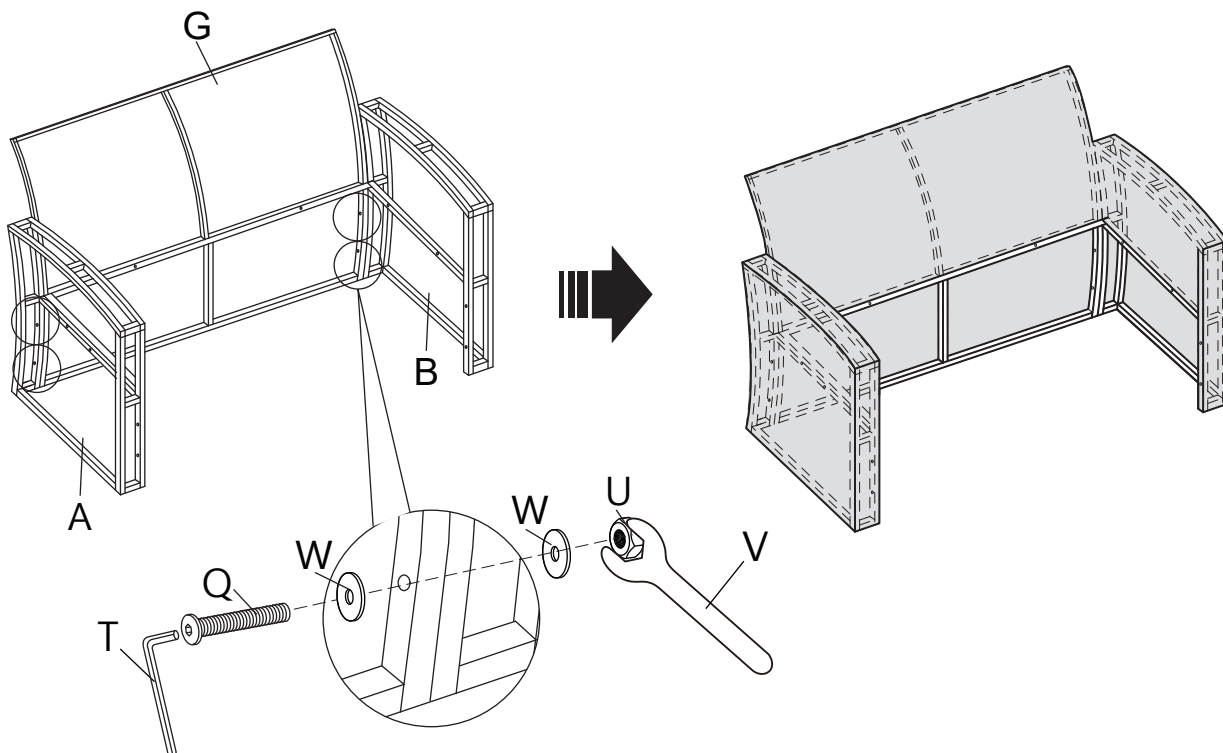
Parts List (Single Sofa Needed)

| | | | | | |
|--|--|--|--|--|---|
| A X1  Right Armrest | B X1  Left Armrest | D X1  Seat Panel | G X1  Backrest | Q X14  M6*55 Screw | W X30  Washer |
| U X14  Nut | Y X2  Screw | b1 X2  Seat Cushion | b2 X2  Backrest Cushion | T X1  Allen Key | V X1  Wrench |
| Z1 X1  Seat Front Panel | R X2  M6*35 Screw | E X8  Adjustable Feet Pad | | | |

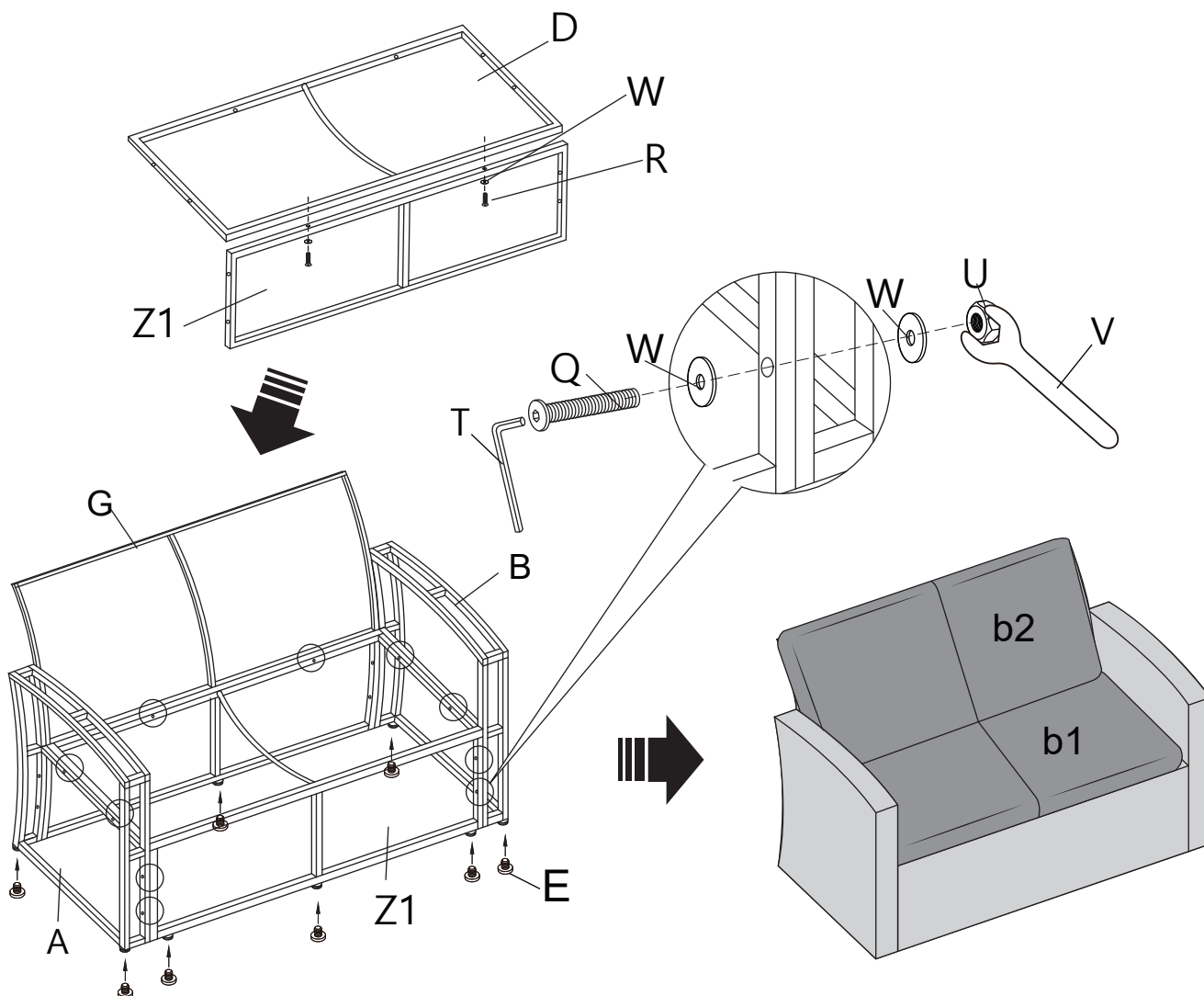
STEP 1



STEP 2

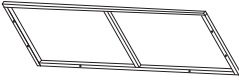

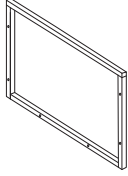
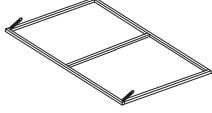
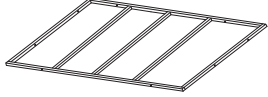
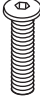
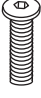





STEP 3



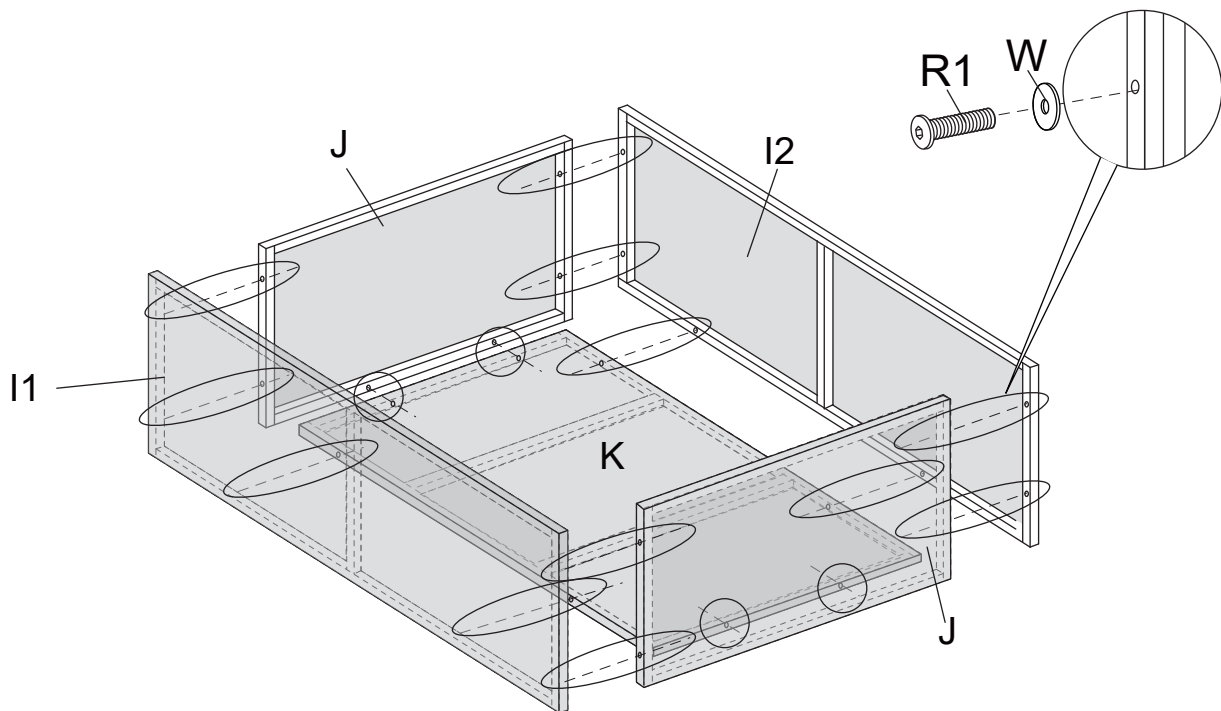
Coffee Table

Parts List (Coffee Table Needed)

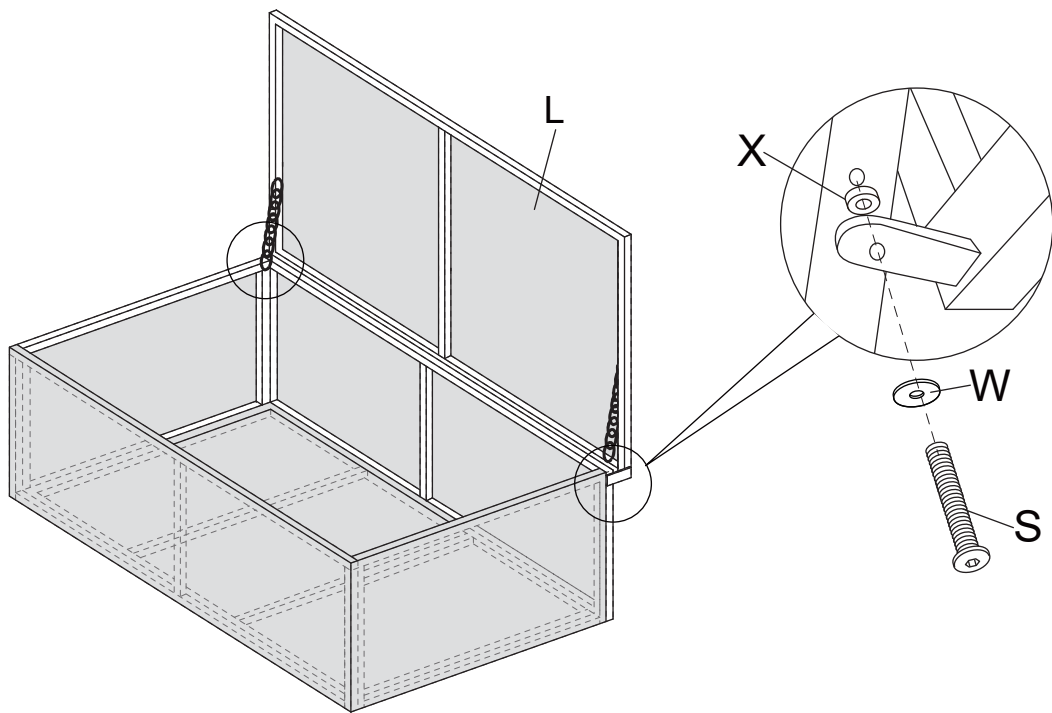
| | | | | |
|---|--|---|--|---|
| I1 X1  Table Panel | I2 X1  Table Panel | J X2  Table Panel | L X1  Table Top Panel | K X1  Table Bottom Panel |
| R1 X16  M6*30 Screw | S X2  M6*20 Screw | X X2  Washer | W X18  Washer | a1 X1  Storage Interior Cover |

STEP 1

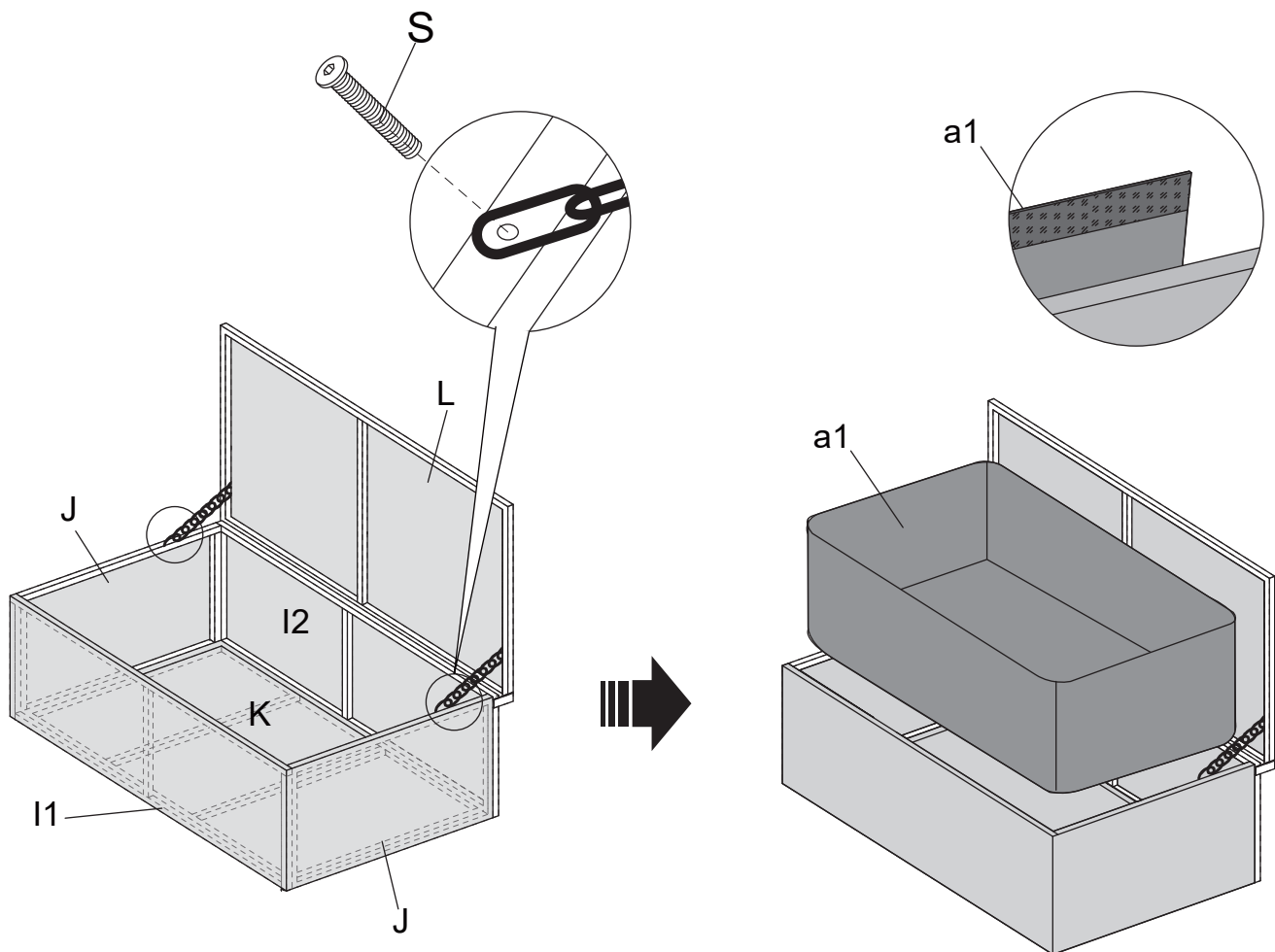
Please note : All panels with velcro face up.



STEP 2

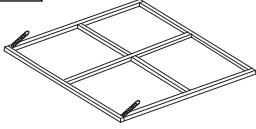
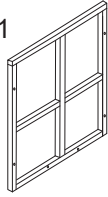
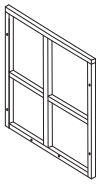
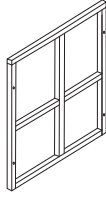
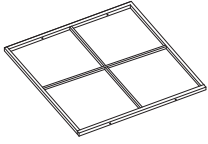
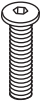
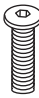


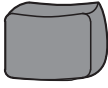


STEP 3



Side Table

Parts List (Side Table Needed)

| | | | | |
|--|--|--|---|---|
| M X1  Storage Top Panel | N1 X1  Storage Panel | N2 X1  Storage Panel | O X2  Storage Panel | P X1  Storage Bottom Panel |
| R1 X16  M6*30 Screw | S X2  M6*20 Screw | X X2  Washer | W X18  Washer | a2 X1  Storage Interior Cover |

STEP 1

Please note : All panels with velcro face up.

