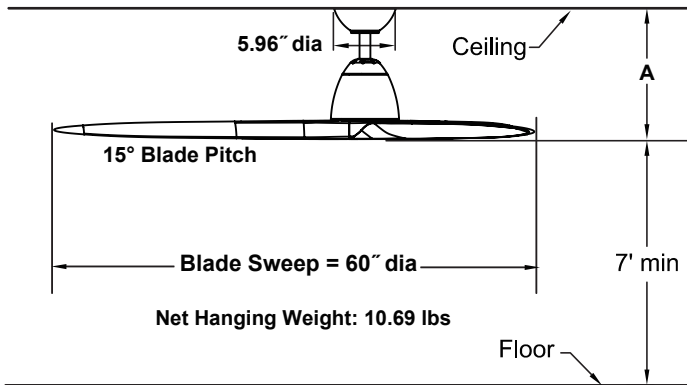




# 60" Ceiling Fan



	A
Fan w/4.5" downrod	12.70"
Fan w/12" downrod	20.20"
Fan w/18" downrod	26.20"
Fan w/24" downrod	32.20"
Fan w/36" downrod	44.20"
Fan w/48" downrod	56.20"
Fan w/60" downrod	68.20"
Fan w/72" downrod	80.20"

### INSTALLATION REQUIREMENTS:

Fan must be attached to a securely anchored electrical junction box capable of withstanding a load of at least 35 lbs.

### ELECTRICAL REQUIREMENTS:

Requires a grounded electrical supply line of 120 volts AC, 60 Hz, 15 amp circuit.

### MOTOR SPECS:

DC125-20NS sensorless DC motor is designed for optimal performance with this fan. Fan is Energy Star Rated.

### BLADES:

A set of three 30" buttonwood blades is included.

### CONTROL OPTIONS:

TR205DS hand-held remote control is included. Push button remote control with 16 fan speeds, fresh air, reverse, infinite light levels, fan/light timer, home away, safe exit and off button. Optional TW206D wall control is available— sold separately. Instructions is provided with each control.

### DOWNROD OPTIONS:

Fan comes with a 1" Dia. x 4.5" downrod (DRT1-45). Optional downrods are available in 12", 18", 24", 36", 48", 60" and 72". For installations requiring a longer downrod, a downrod coupler is available. Fan can be mounted on a sloped ceiling up to 19°. Optional close-to-ceiling kit is available as well—sold separately. Optional sloped ceiling kits (SCK1-52) are available for up to 42°. Call technical support for more information.

### LOCATION USE:

Fan is rated for dry location only.

Available Finishes	
LGR	Matte Greige with Weathered Wood Blades

Airflow / Energy Efficiency Info (120V)					
Fan Speed	Max RPM	CFM	CFM / Watts	Amps	Watts
High (16 <sup>th</sup> )	132	5833	184	0.43	32
Med (9 <sup>th</sup> )	94	3966	412	0.15	10
Low (1 <sup>th</sup> )	51	1977	743	0.05	3

Energy Guide FTC			
Power (W <sub>ave</sub> )	Total Air Delivery (CFM <sub>ave</sub> )	Estimated Yearly Energy Cost (\$)	Ceiling Fan Efficiency (CFM/W)
21	3947	6	186