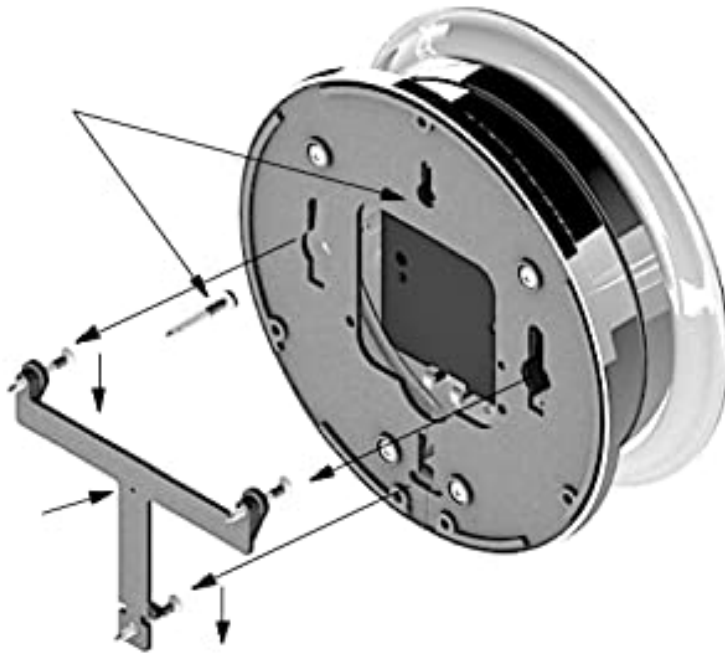


Suspension System for Your Master-Mariner Instruments



Our patented T-Bar suspension system for your Master-Mariner Instruments is already installed onto your Pre-mounted Plaque in the vertical position.

To access the battery compartment for your clock or to adjust your Comfortmeter, remove it from the plaque by firmly pushing upward on the instrument, releasing it from the suspension bracket.

To return the instrument to the plaque, set the instrument back onto the suspension bracket and firmly push downward to engage the bracket.