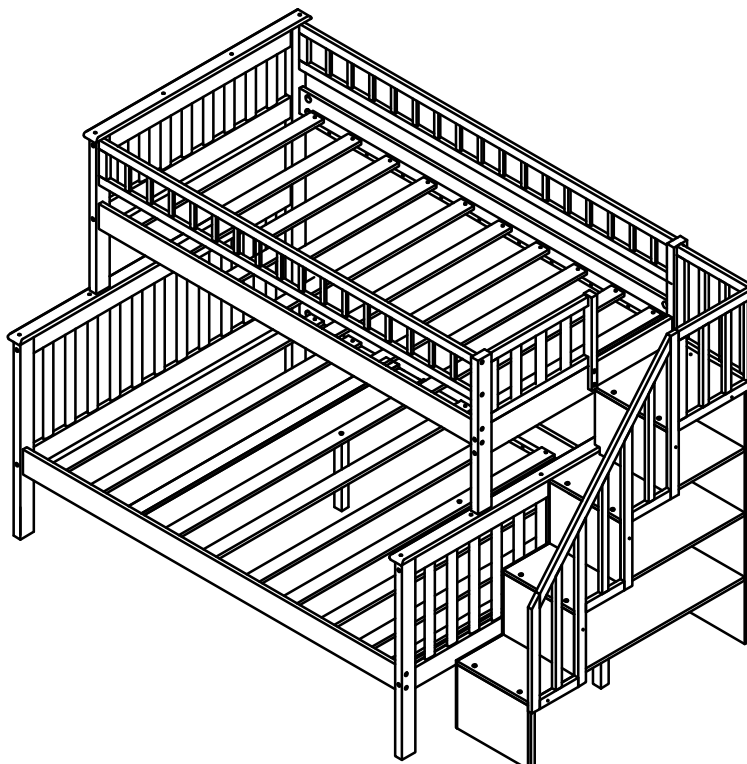


# ASSEMBLY INSTRUCTION

SKU CODE: (WF194061/WF194062/WF194063)

1

**This set is included 3 boxes if don't receive full 3 boxes please contact our customer service team**



## SAFETY WARNINGS

1. Follow the information on the warning label appearing on the upper bunk end structure and on the carton... Do not remove warning label from bed.
2. Always use the recommended size mattress or mattress support, or both, to help prevent the likelihood of entrapment or falls.
3. Surface of mattress must be at least 5 inches below the upper edge of guard rails.
4. Do not allow children under 6 years to use the upper bunk.
5. Prohibit more than one person on upper bunk.
6. Periodically check and ensure that the guardrail, ladder, and other components are in their proper position, free from damage, and that all connectors are tight.
7. Do not allow horseplay on or under the bed and prohibit jumping on the bed.
8. Always use the ladder for entering and leaving upper bunk.
9. Do not use substitute part. Contact the manufacturer or dealer for replacement part.
10. Use of night light may provide added safety precaution for a child using the upper bunk.
11. If the bunk bed will be placed next to a wall, the guardrail that runs the full length of the bed should be placed against the wall to prevent entrapment between the bed and the wall.
12. Always use guardrail on both long sides of the upper bunk.
13. The use of water or sleep flotation mattresses is prohibited.
14. Keep these instruction for future reference.
15. Strangulation Hazard - Never attach or hang items to any part of the bunk bed that are not designed for use with the bed, for example, but not limited to hooks, belts and jump rores.
16. Trundle : Only use for mattress 6 inch.

**PLEASE DO NOT RETURN PRODUCT TO THE STORE**

**if you have any problem or concerns, please feel free to contact our customer service department. We will reply you as soon as possible.**


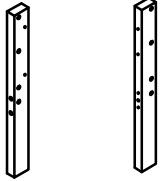
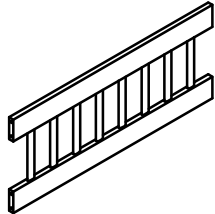
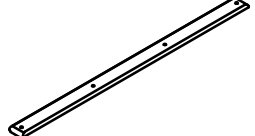
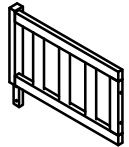
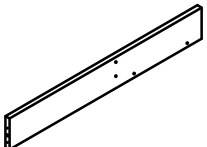
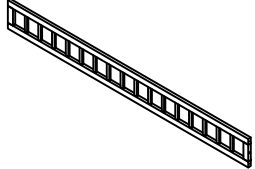
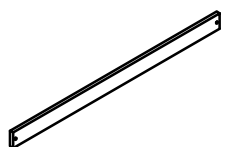
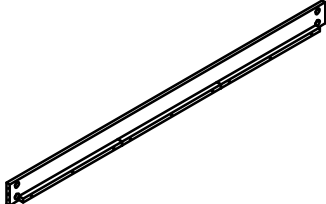

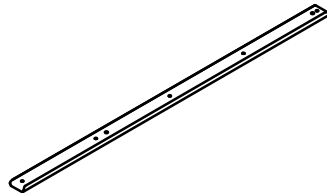
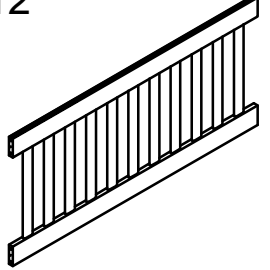
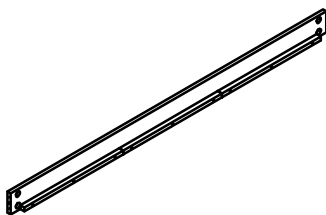
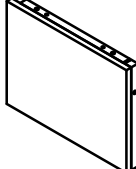

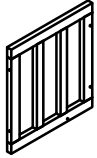
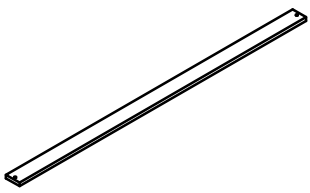
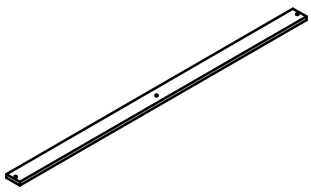
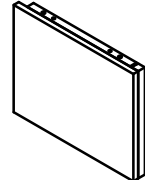
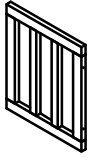


**E-Mail: [wmcsr@comptree.net](mailto:wmcsr@comptree.net)**

**Tel: 626-912-8886 Ext.100**

# PARS LIST & ILLUSTRATION

~~ Note : Do Not Fully Tighten Screws until Fully Assembled ~~

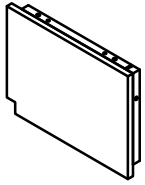
<p>1</p>  <p>Upper left leg (front and back) 2pcs</p>	<p>2</p>  <p>Upper right leg (front and back) 2pcs</p>	<p>3</p>  <p>Upper side frame 1pc</p>	<p>4</p>  <p>Top horizontal bar on the left 1pc</p>
<p>5</p>  <p>Upper side panels right 1pcs</p>	<p>6</p>  <p>Horizontal bar on the top right 1pc</p>	<p>7</p>  <p>Support Frames (front and back) 2pcs</p>	<p>8</p>  <p>Short Slats 10pcs</p>
<p>9</p>  <p>Upper side rail (front and back) 2pcs</p>	<p>10</p>  <p>Below legs (left and right) 4pcs</p>	<p>11</p>  <p>The top horizontal bar of the lower bed 2pcs</p>	<p>12</p>  <p>Below side panels 2pcs</p>
<p>13</p>  <p>Lower side rails (front and back) 2pcs</p>	<p>14</p>  <p>Mid Boards 2pcs</p>	<p>15</p>  <p>Center Legs 2pcs</p>	<p>16</p>  <p>Stair railing above 1pc</p>
<p>17</p>  <p>Long Slats 8pcs</p>	<p>18</p>  <p>Long Slats with mid hole 2pcs</p>	<p>19</p>  <p>Lower Board 1pc</p>	<p>20</p>  <p>Stair railing above 1pc</p>

# PARS LIST & ILLUSTRATION

3

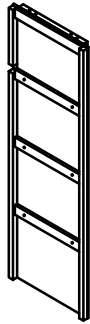
~~ Note : Do Not Fully Tighten Screws until Fully Assembled ~~

21



Upper board 1pc

22



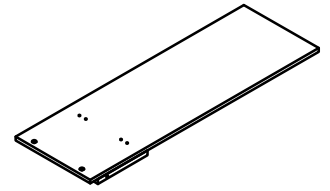
Back Fame 1pc

23



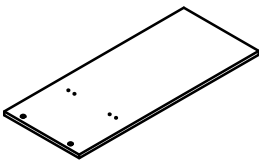
Foot support 1pc

24



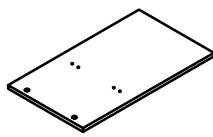
Lower board 1pc

25



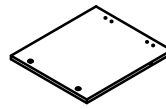
Lower mid board 1pc

26



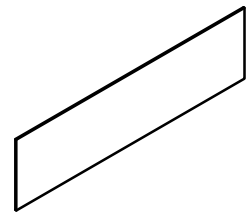
Upper mid board 1pc

27



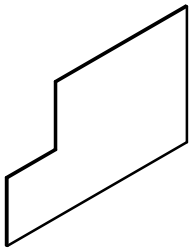
Upper board 1pc

28



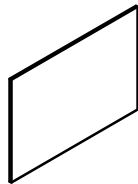
Lower side panel 1pc

29



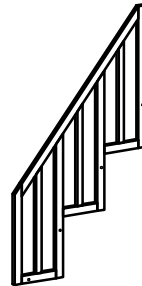
Mid side panel 1pc

30



Upper side panel 1pc

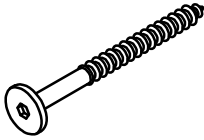
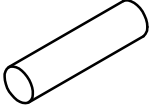
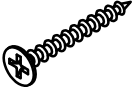



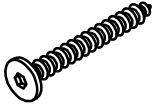
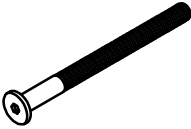

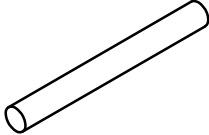


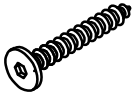


31



Stair railing below 1pc

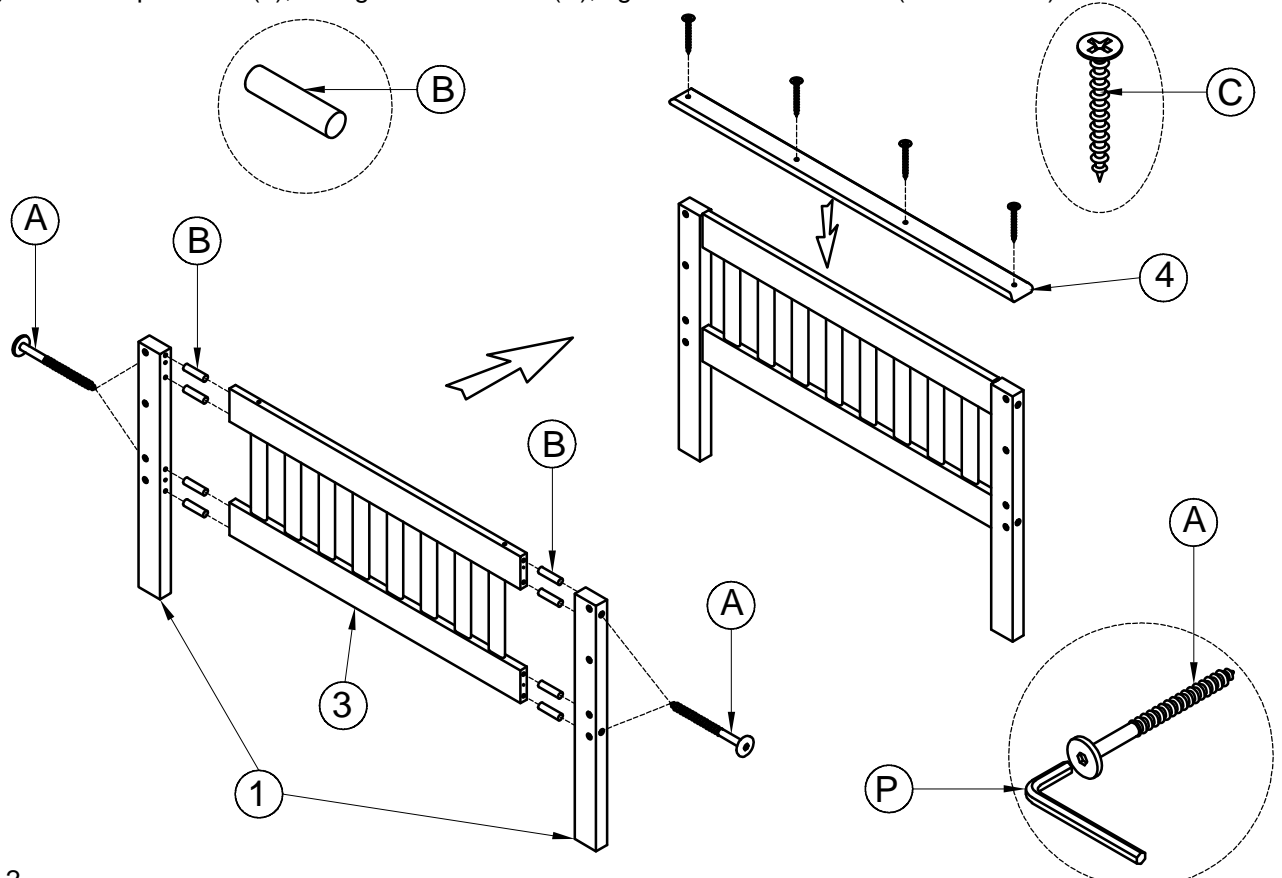
# HARDWARE & ILLUSTRATION

~~ Note : Do Not Fully Tighten Screws until Fully Assembled ~~

<p>A</p>  <p>Ø1/4" x 100 mm Hexagonal bolts catch wood 16pcs</p>	<p>B</p>  <p>Wood dowel Ø10 x 40 mm 38pcs</p>	<p>C</p>  <p>Ø8 x 30 mm Wood Screws 54pcs</p>	<p>D</p>  <p>Ø1/4" x 50 mm Hexagonal bolts catch wood 2pcs</p>
<p>E</p>  <p>Ø1/4" x 25 mm Hex-Head bolts 24pcs</p>	<p>F</p>  <p>M6x18 mm Canopy head through (2pcs)</p>	<p>G</p>  <p>Ø1/4" x 60 mm Hexagonal bolts catch wood 12pcs</p>	<p>H</p>  <p>Ø1/4" x 80 mm Hex-Head bolts 16pcs</p>
<p>I</p>  <p>Half Moon 16pcs</p>	<p>J</p>  <p>Ø12 x 110 mm Wood dowel 4pcs</p>	<p>K</p>  <p>Ø8 x 25 mm Wood dowel 22pcs</p>	<p>L</p>  <p>Ø6 x 15 mm Wood Screws 38pcs</p>
<p>M</p>  <p>Ø1/4" x 50 mm Hexagonal bolts catch wood 2pcs</p>	<p>N</p>  <p>Ø1/4" x 35 mm Hex-Head bolts 13pcs</p>	<p>P</p>  <p>Allen Key 1pc</p>	

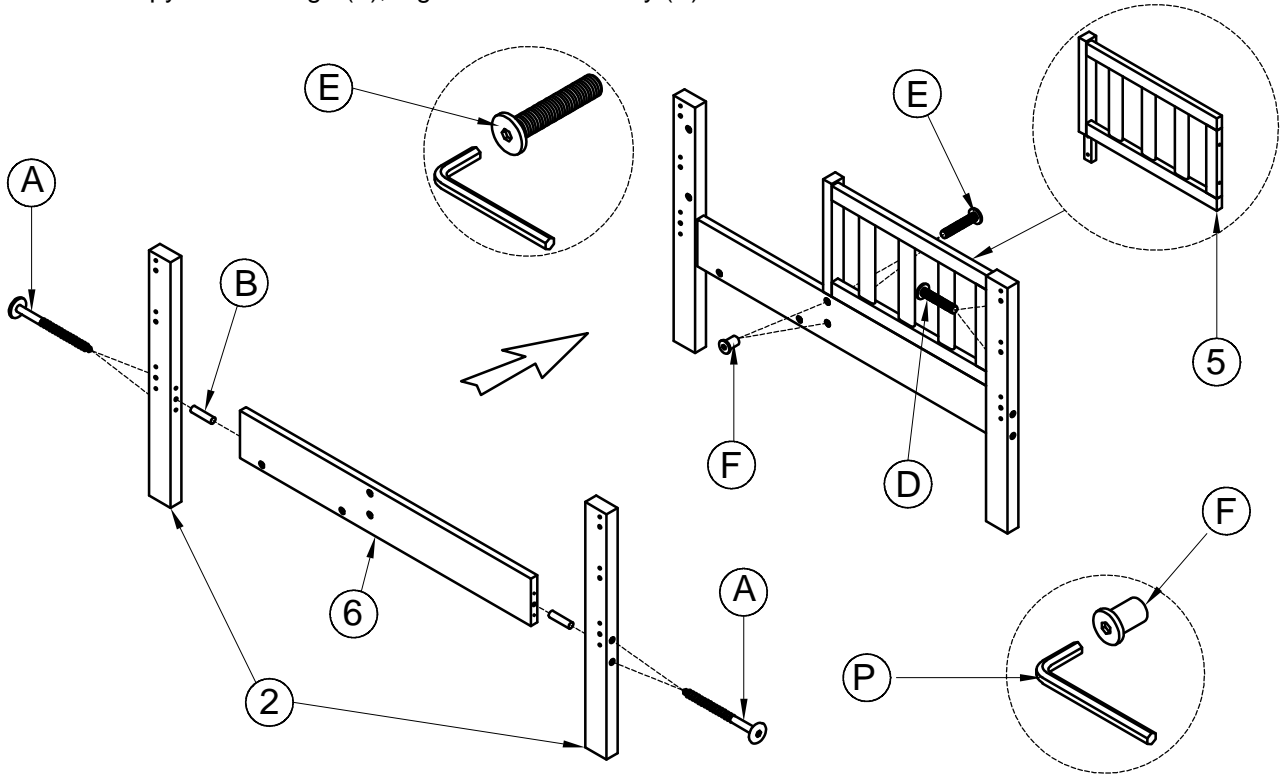
STEP 1

1. Align and fix the Upper left leg (1), and the Upper side fame (3), using the Hexagonal bolts catch wood (A), and the Wood dowel (B), Tighten with Allen Key (P).
2. Align and fix top left bar (4), Using Wood Screws (C), tighten with screw driver (not included)



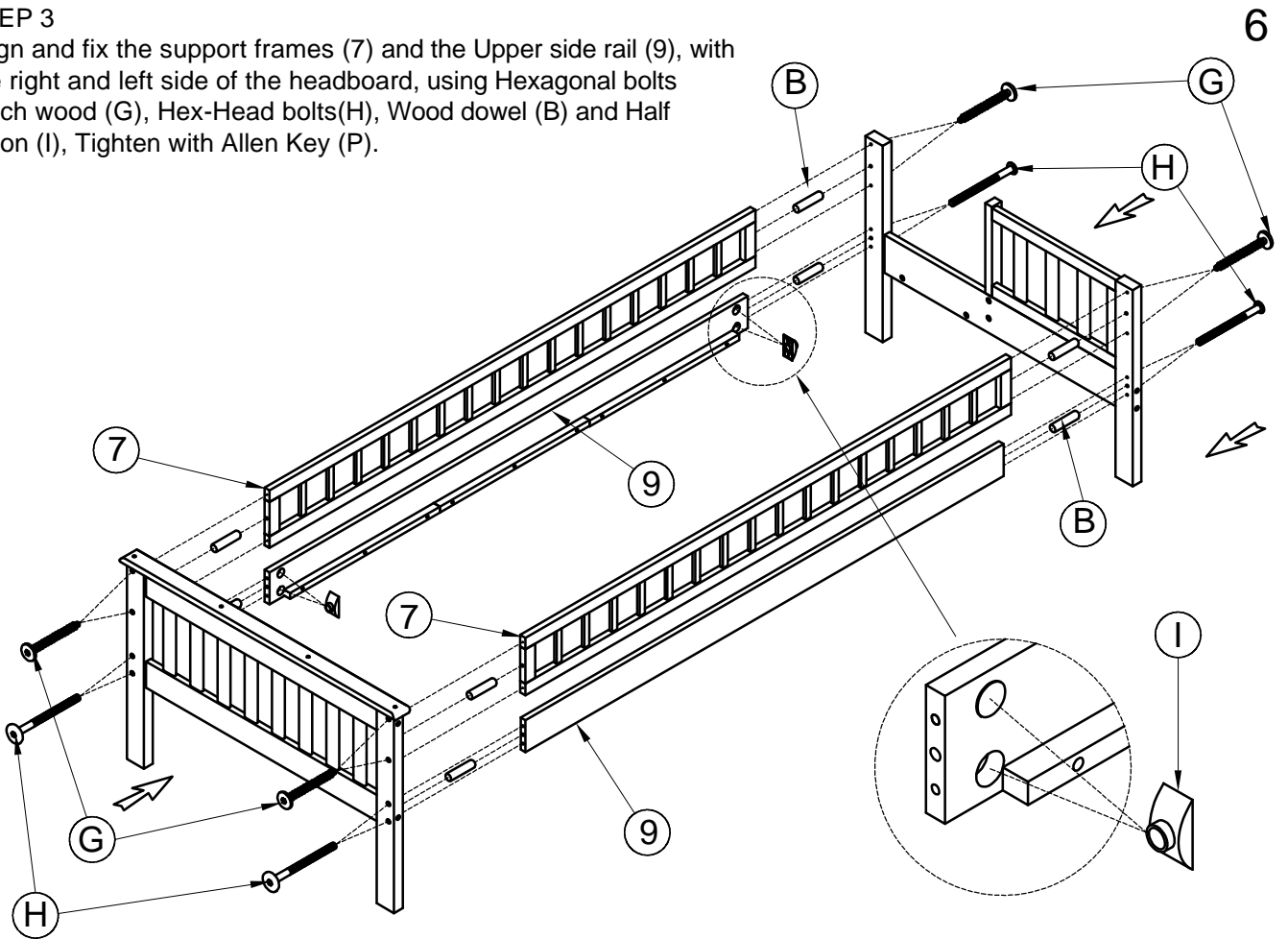
STEP 2

1. Align and fix the Upper right leg (2), and the Horizontal bar on the top right (6), using the Hexagonal bolts catch wood (A), the Wood dowel (B), Tighten with Allen Key (P).
2. Align and fix the Upper side panels right (5), using the Hexagonal bolts catch wood (D), the Hex-Head bolts (E) and the Canopy head though (F), Tighten with Allen Key (P).



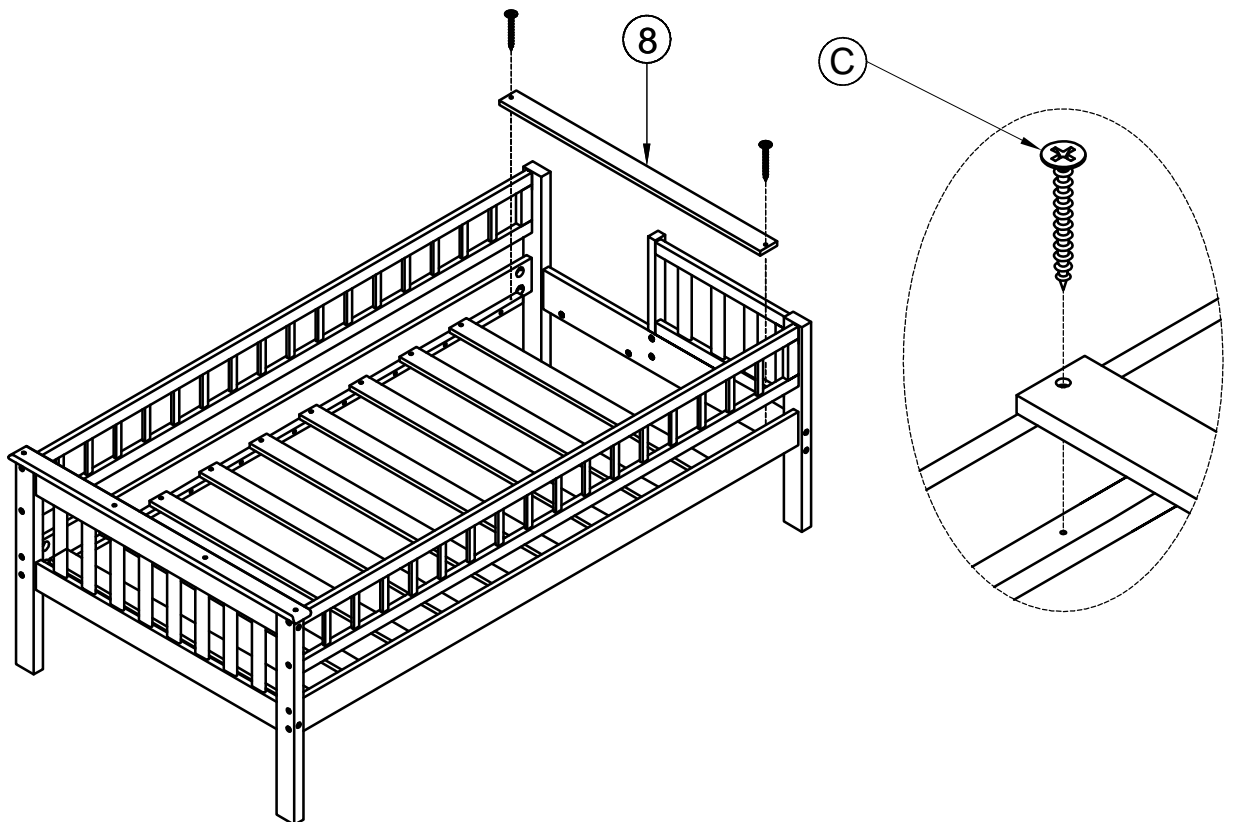
**STEP 3**

Align and fix the support frames (7) and the Upper side rail (9), with the right and left side of the headboard, using Hexagonal bolts catch wood (G), Hex-Head bolts(H), Wood dowel (B) and Half Moon (I), Tighten with Allen Key (P).



**STEP 4**

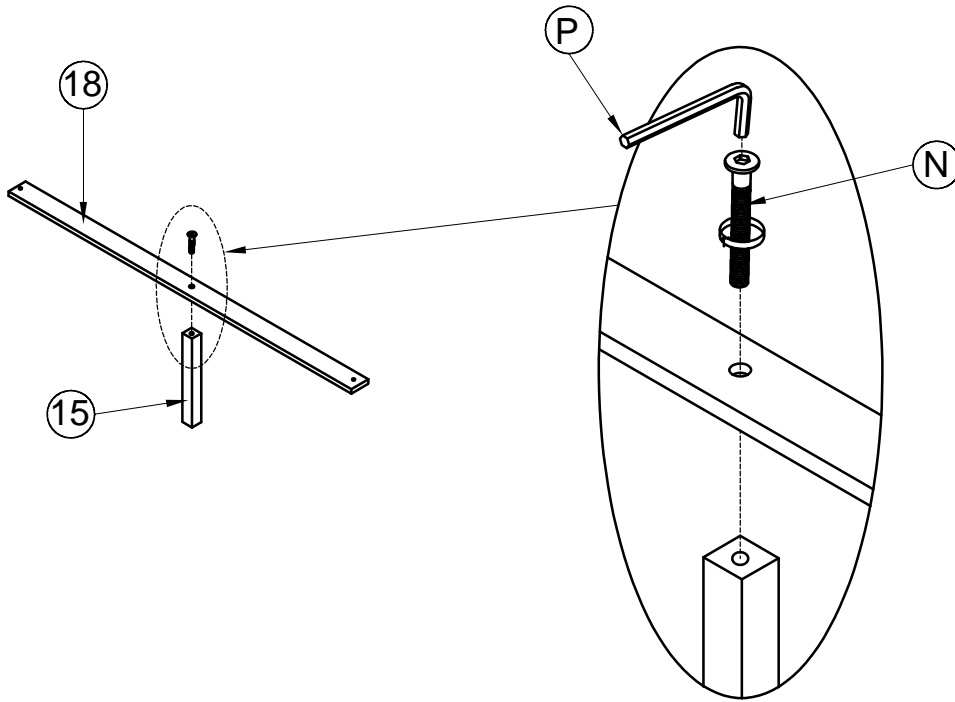
1. Align and fix the Slats (8), Using Wood Screws (C), tighten with screw driver (not included)





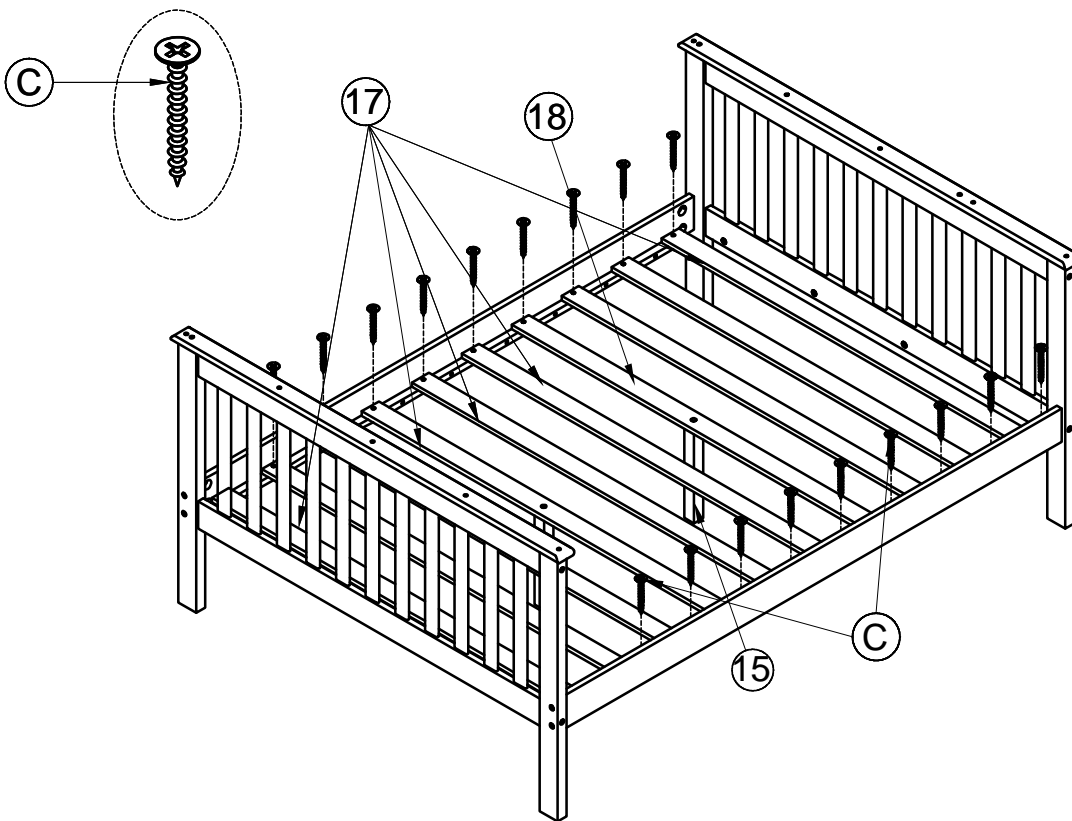
STEP 7

1. Align and fix the center legs (15), and the slats (18), Hex-Head bolts (E), tighten with Allen key(O).



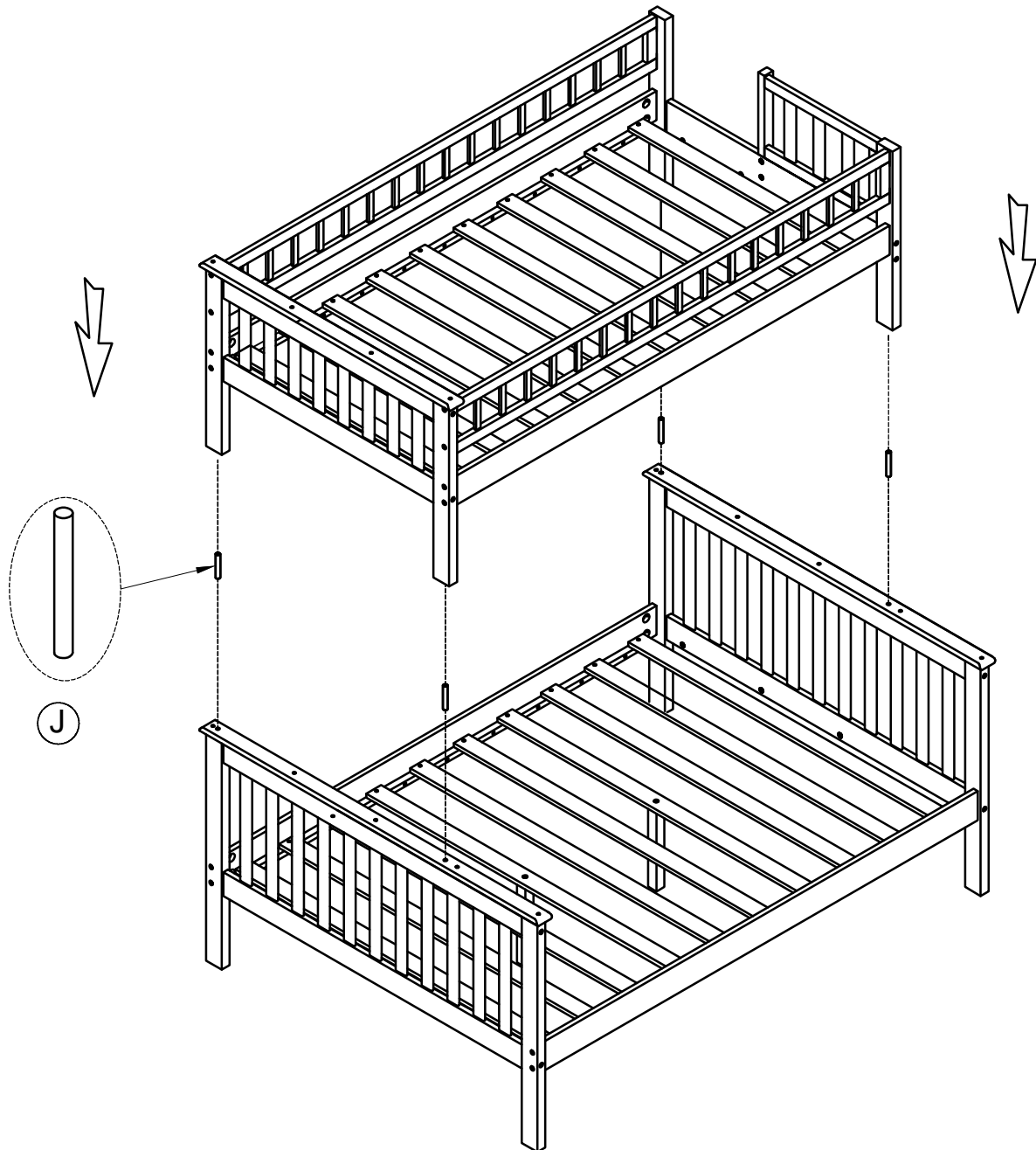
STEP 8

Align and fix the Slats (17&18), Using Wood Screws (C), tighten with screw driver (not included)



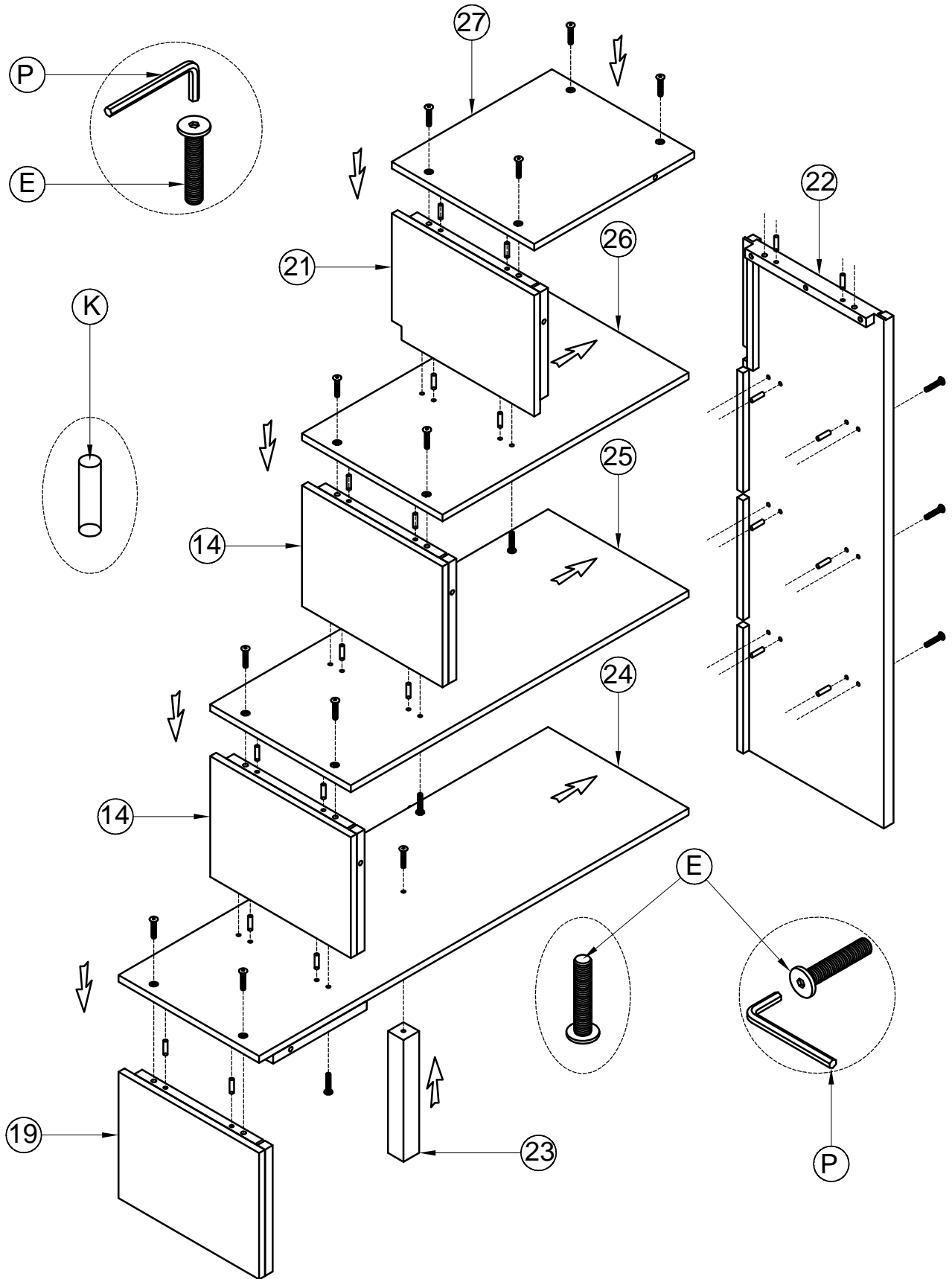
STEP 9

Align Stack upper bunk bed onto lower bunk bed, using Wood dowel (J).



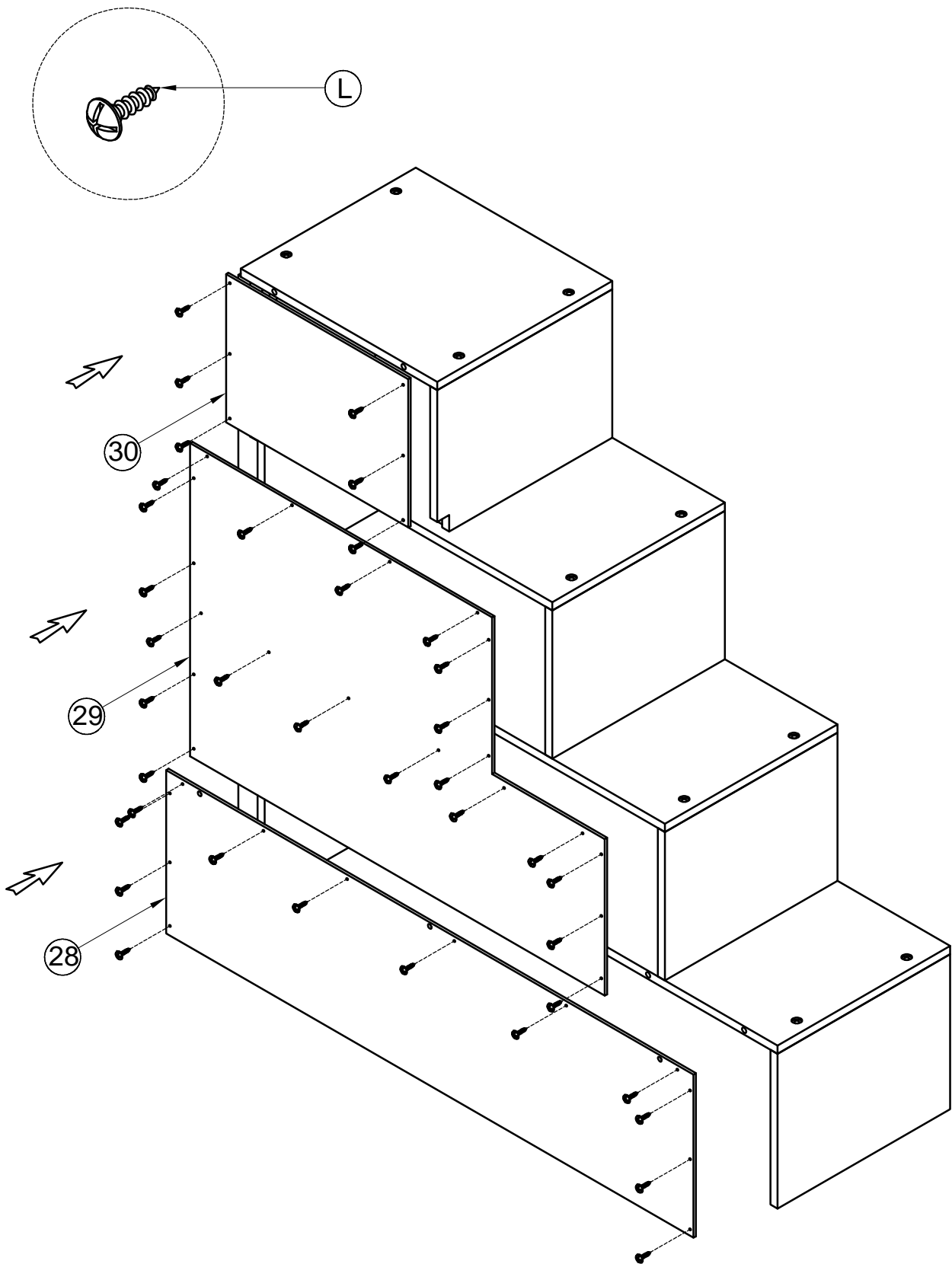
STEP 10

- 1, Align and fix the Board standing below (19), with the Horizontal board below (24), and the Back panel (22).
  - 2, Align and fix the Board standing between (14), with the Horizontal board between (25), and the Back panel (22).
  - 3, Align and fix the Board standing between (14), with the Horizontal board between (26), and the Back panel (22).
  - 4, Align and fix the The board is in the above (21), with the Horizontal board above (25), and the Back panel (22).
- => Using Hex-Head bolts (K), and Wood dowel (L) tighten with Allen Key (P).



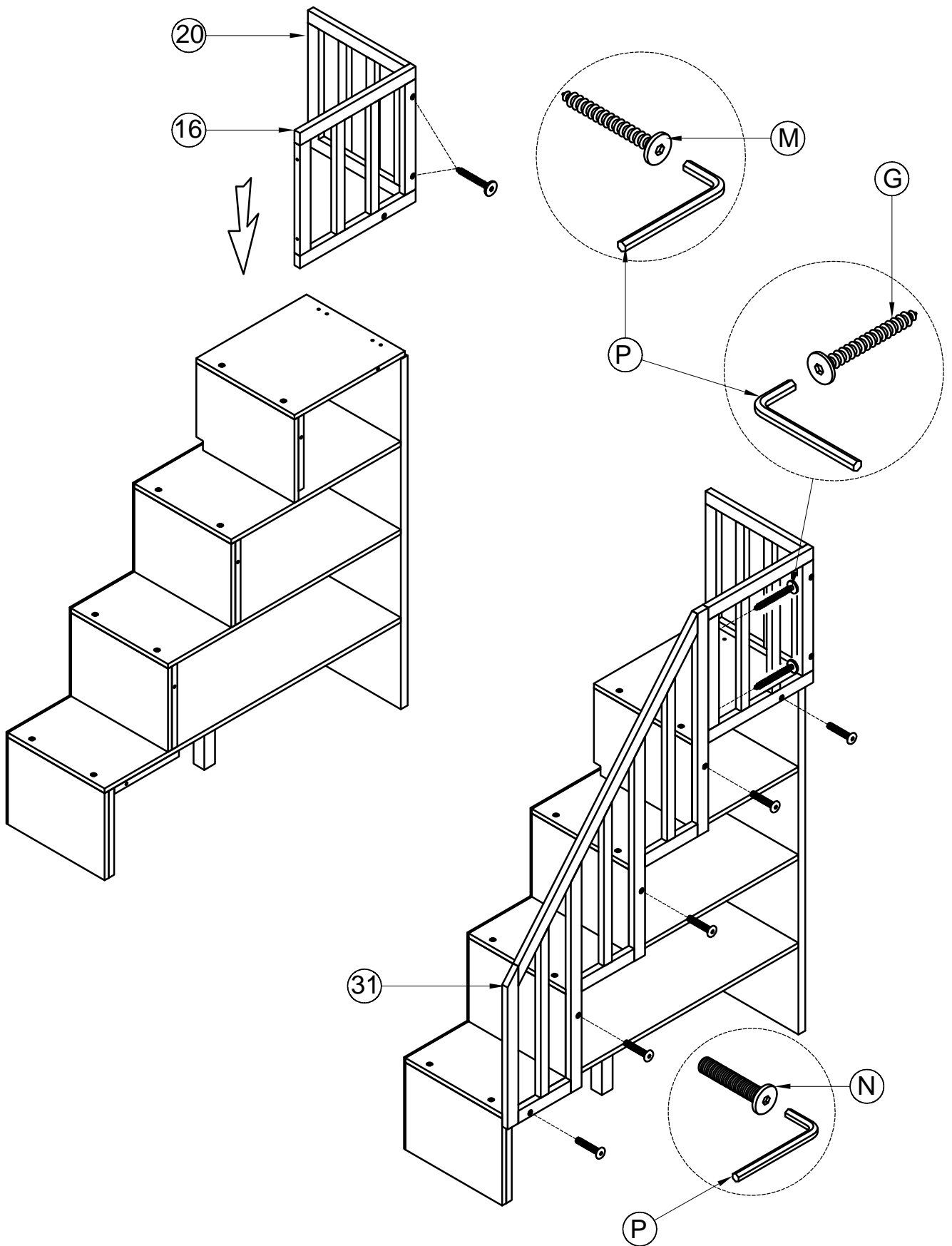
STEP 11

Align and fix the Bottom side panel (28), Between side panel (29), Above side panel (30), Using Wood Screws (M), tighten with screw driver (not included)



STEP 12

Align and fix the Stair railing above (16), With the Stair railing above (20) and Stair railing below (31), Using bolts catch wood (N), (G) and Hex-Head bolts (N), tighten with Allen Key (P).



STEP 13

Align and fix the stairs and the bunk beds, Using Hex-Head bolts (N), tighten with Allen Key (P).

