

ASSEMBLY INSTRUCTIONS





SAFETY WARNING



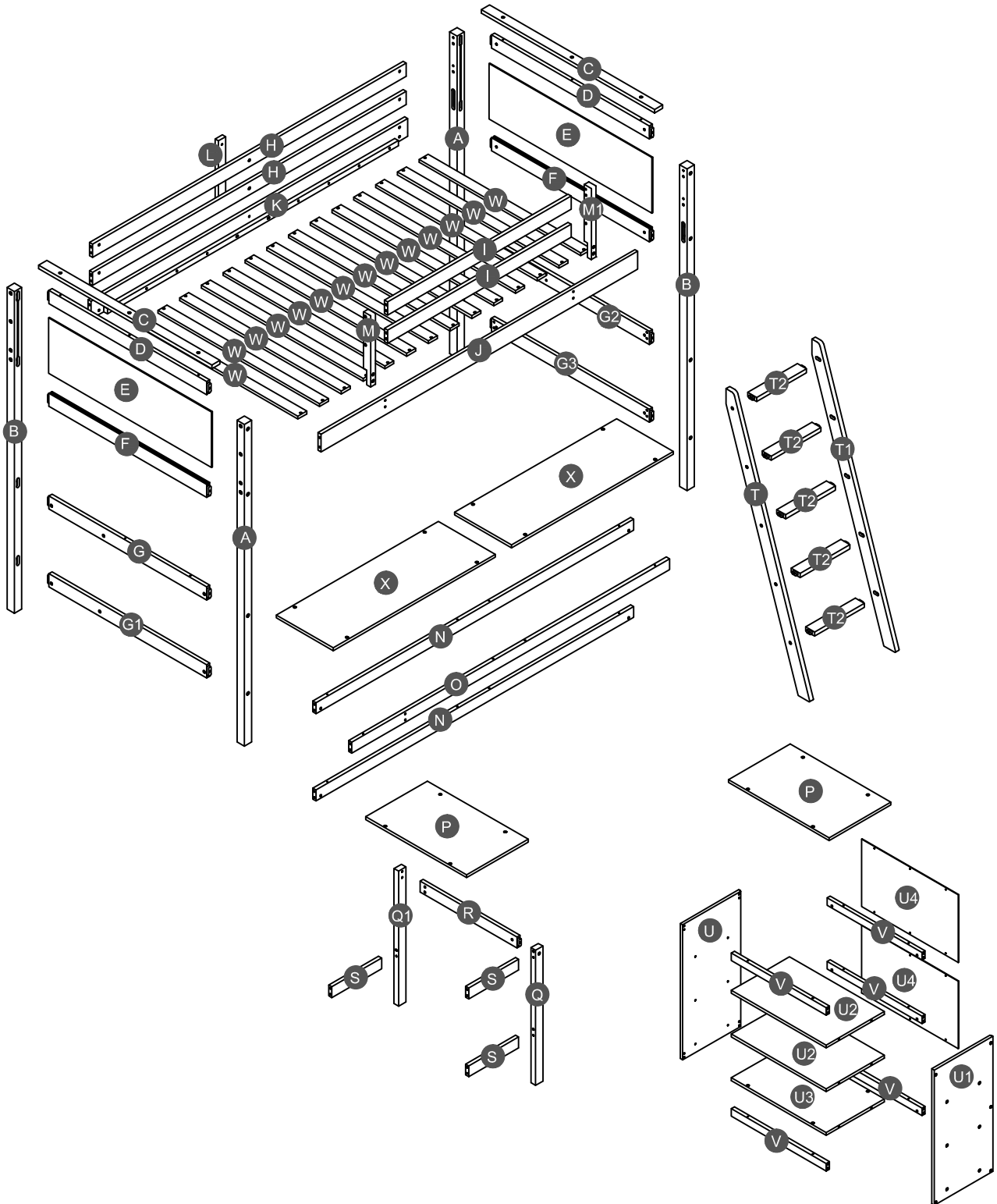
1. This bed is designed for use only mattress (es) meeting the following specifications on the loft bed:

Up bed (Loft bed and tribed included)


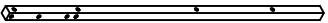


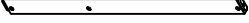
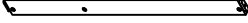
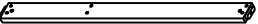
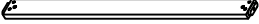

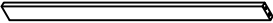



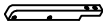
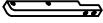
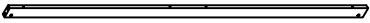

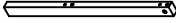
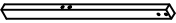
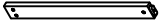
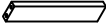
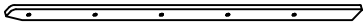
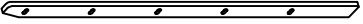
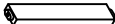
Bed type	Length	Width	Thickness
Twin Standard	74"-75"	38 1/2"	6" max

2. Replacement parts, including additional guardrails, maybe obtained from any of our (GIGACLOUD TECHNOLOGY (USA) INC . 18961 ARENTH AVENUE, CITY OF INDUSTRY , CA, 91748.) dealers
3. Follow the information on the warnings appearing on the loft bed. end structure and on the carton. Do not remove warning label from bed.
4. Always use the recommended size mattresses or mattress supports, or both, to help prevent the likelihood of entrapment or falls.
5. Surface of mattress must be at least 5" (127mm) below the upper edge of guardrails.
6. Do not allow children under 6 years of age to use the loft bed.
7. Periodically check and ensure that the guardrail, ladder, and other components are in their proper position, free from damage, and that all connectors are tight.
8. Do not allow horseplay on or under the bed and prohibit jumping on the bed.
9. Always use the ladder for entering and leaving the loft bed.
10. Do not use substitute part. Contact the manufacture or dealer for replacement part.
11. Use of a night light may provide added safety precaution for a child using the loft bed.
12. Always use guardrails on both long sides of the loft bed. If the loft bed will be placed next to the wall, the guardrail that runs the full length of the bed should be placed against the wall to prevent entrapment between the bed and wall.
13. The use of water or sleep flotation mattresses is prohibited.
14. STRANGULATION HAZARD - Never attach or hang items to any part of the loft bed that are not designed for use with the bed; for example, but not limited to, hook, belts and jump ropes.
15. Keep these instruction for future reference.
16. Prohibit more than one person on upper bunk
17. We recommend assembling your bunk bed on the shipping carton to protect your floor or carpet.
18. Be certain all staples are out of the box before beginning assembly on the shipping carton.


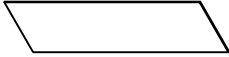
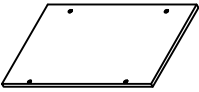
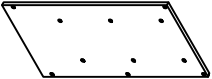
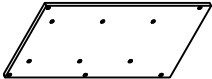
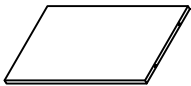
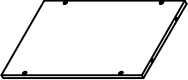

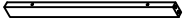
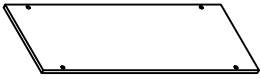
Detail View

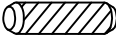

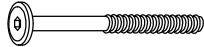






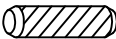
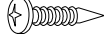
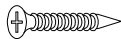
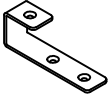
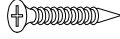


Part List

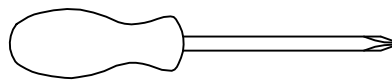
<p>A</p>  <p>Leg (Left Front / Right back) - 2pcs</p>	<p>B</p>  <p>Leg (Left back / Right Front) - 2pcs</p>	<p>D</p>  <p>Horizontal bar - 2pcs</p>
<p>F</p>  <p>Horizontal bar - 2pcs</p>	<p>G</p>  <p>Horizontal bar - 1pc</p>	<p>G1</p>  <p>Horizontal bar - 1pc</p>
<p>G2</p>  <p>Horizontal bar - 1pc</p>	<p>G3</p>  <p>Horizontal bar - 1pc</p>	<p>H</p>  <p>Long guard rail - 2pcs</p>
<p>I</p>  <p>Short guard rail - 2pcs</p>	<p>J</p>  <p>Side rail (front) -1pc</p>	<p>K</p>  <p>Side rail (back) -1pc</p>
<p>L</p>  <p>Vertical guard rail - 1pc</p>	<p>M</p>  <p>Support guard rail (Left) - 1pc</p>	<p>M1</p>  <p>Support guard rail (Right) -1pc</p>
<p>N</p>  <p>Horizontal bar - 2pcs</p>	<p>O</p>  <p>Horizontal bar - 1pc</p>	<p>Q</p>  <p>Leg - front - 1pc</p>
<p>Q1</p>  <p>Leg - back - 1pc</p>	<p>R</p>  <p>Horizontal bar - 1pc</p>	<p>S</p>  <p>Horizontal bar - 3pcs</p>
<p>T</p>  <p>Long ladder (left) - 1pc</p>	<p>T1</p>  <p>Long ladder (right) - 1pc</p>	<p>T2</p>  <p>Step ladder - 5pcs</p>

Part List

<p>C</p>  <p>Cap for upper HB-FB - 2pcs</p>	<p>E</p>  <p>Panel HB & FB - 2pcs</p>	<p>P</p>  <p>Top panel (front) - 2pcs</p>
<p>U</p>  <p>Left side panel - 1pc</p>	<p>U1</p>  <p>Right side panel - 1pc</p>	<p>U2</p>  <p>Shelf panel - 2pcs</p>
<p>U3</p>  <p>Bottom panel - 1pc</p>	<p>U4</p>  <p>Back panel - 2pcs</p>	<p>V</p>  <p>Horizontal bar - 5pcs</p>
<p>X</p>  <p>Top panel (back) - 2pcs</p>		

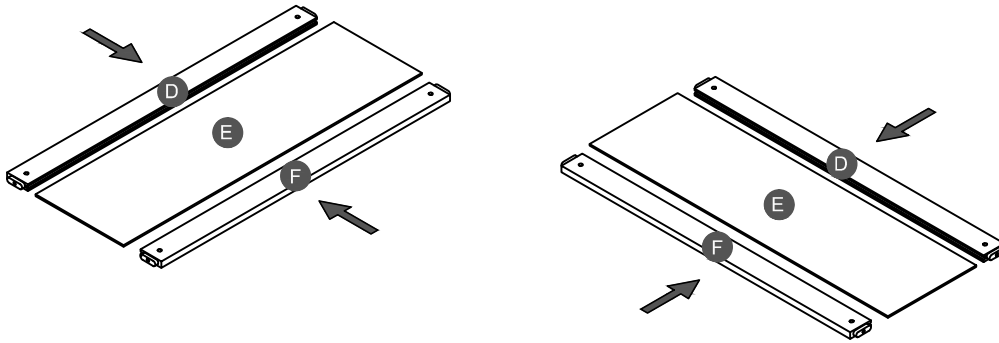
1	 Ø8*30mm Wood dowel (22pcs)	2	 (Ø15)1/4"*100mm Hex-Head bolts (12pcs)	3	 (Ø15)1/4"*80mm Hex-Head bolts (25pcs)
4	 (Ø12)1/4"*60mm Hex-Head bolts (42pcs)	5	 (Ø12)1/4"*35mm Hex-Head bolts (4pcs)	6	 (Ø12)1/4"*30mm Hex-Head bolts (3pcs)
7	 1/4"*15 (9.5mm) Horizontal-Hole bolts (79pcs)	8	 (Ø12)1/4"*40mm Hex-Head bolts (26pcs)	9	 (1/4")4.5*58mm Allen key (1pc)
10	 Ø10*40mm Wood dowel (8pcs)	11	 Ø3.5*15mm Wood screws (12pcs)	12	 Ø4*30mm Wood screws (28pcs)
13	 81*26*21*(2.5mm) Hooks (2pcs)	14	 Ø4*19mm Wood screws (6pcs)		

ASSEMBLY TOOLS REQUIRED (NOT INCLUDED)

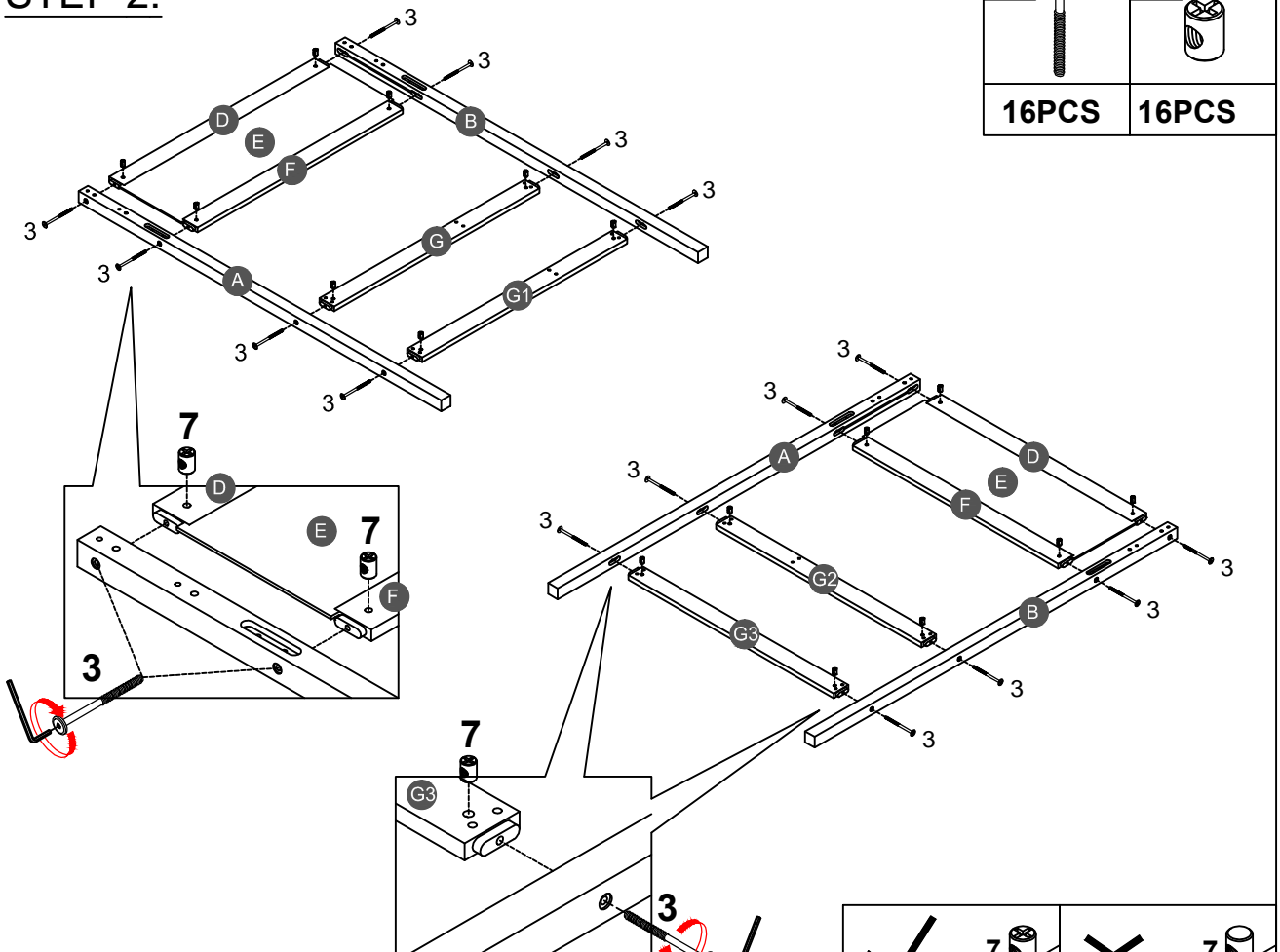


PLEASE BE CAREFUL DO NOT DAMAGE THE HOLE POSITION WHEN YOU USE POWER TOOLS !

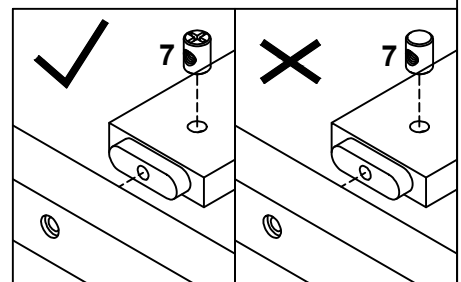
STEP 1:




STEP 2:

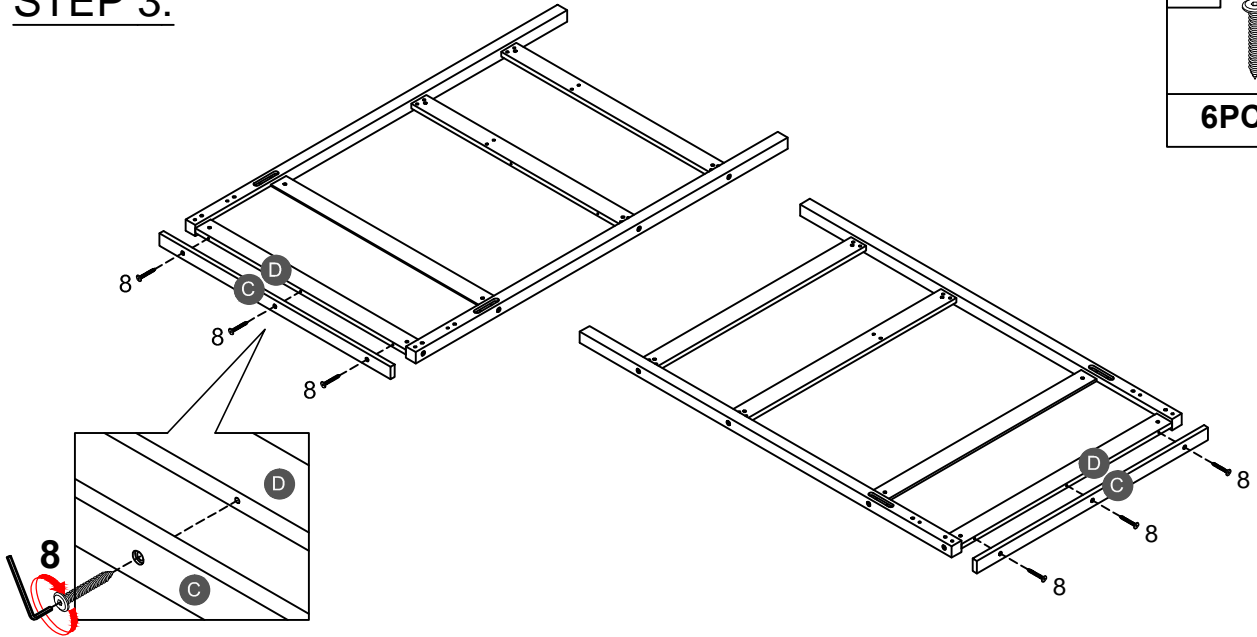


Note: Part 7 will face up with the "x" mark on it, otherwise it cannot be tightened








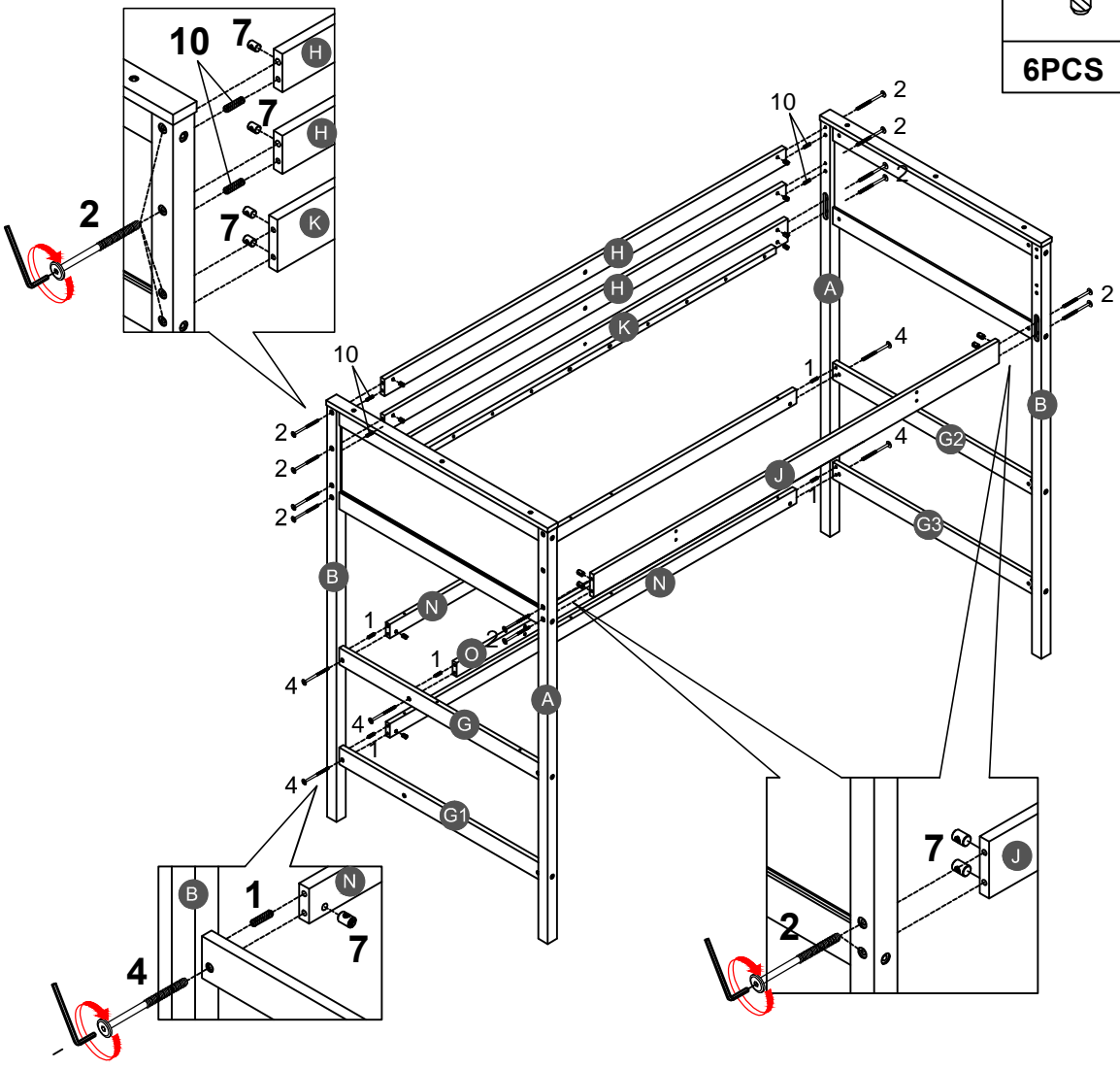
STEP 3:

8	
6PCS	



STEP 4:

1		2	
6PCS		12PCS	
		4	
		6PCS	
		7	
		18PCS	
10			
4PCS			

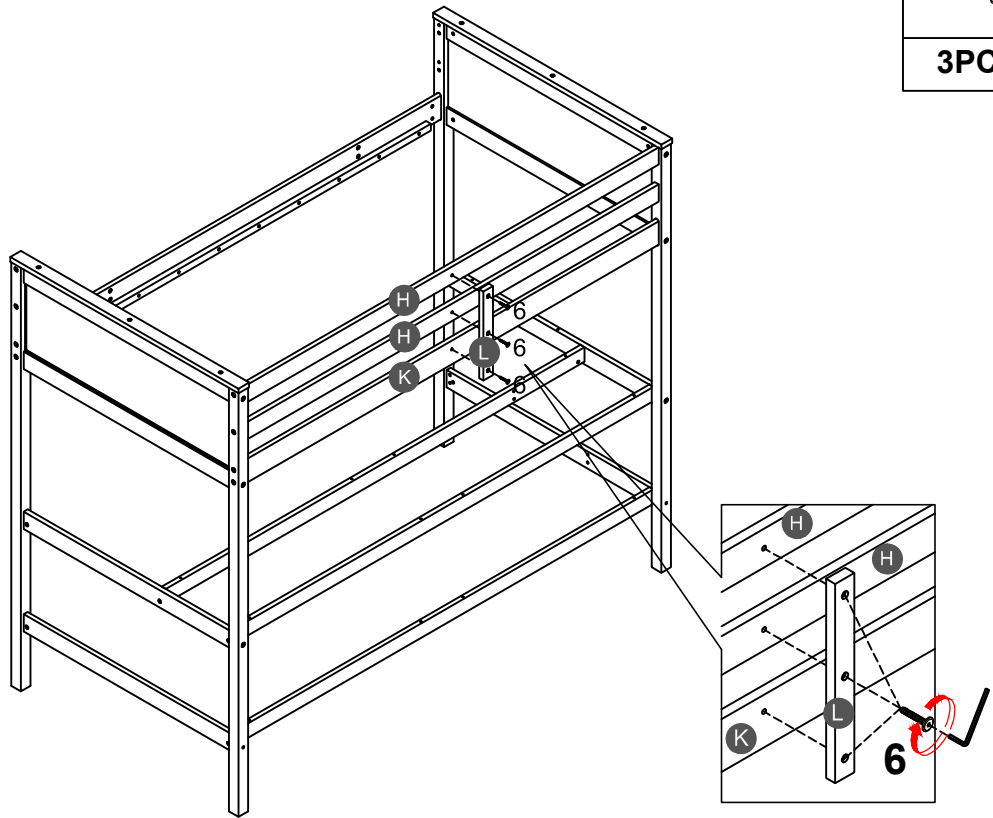


STEP 5:

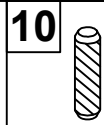
6



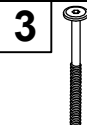
3PCS



STEP 6:



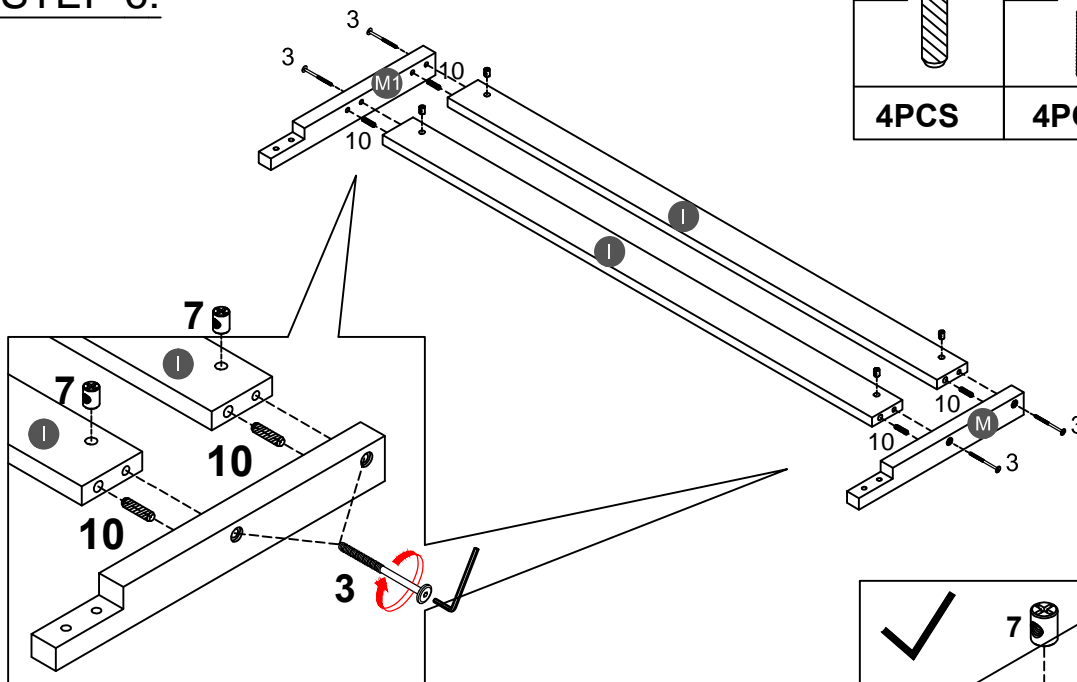
4PCS



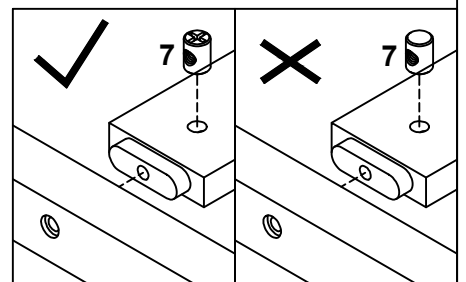
4PCS



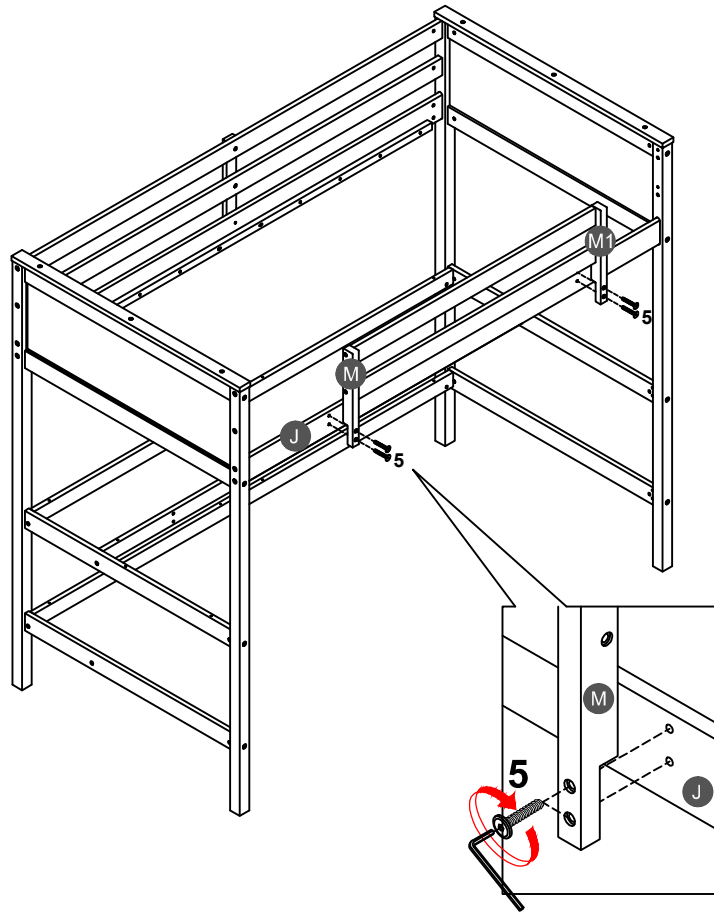
4PCS



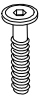
Note: Part 7 will face up with the "x" mark on it, otherwise it cannot be tightened



STEP 7:

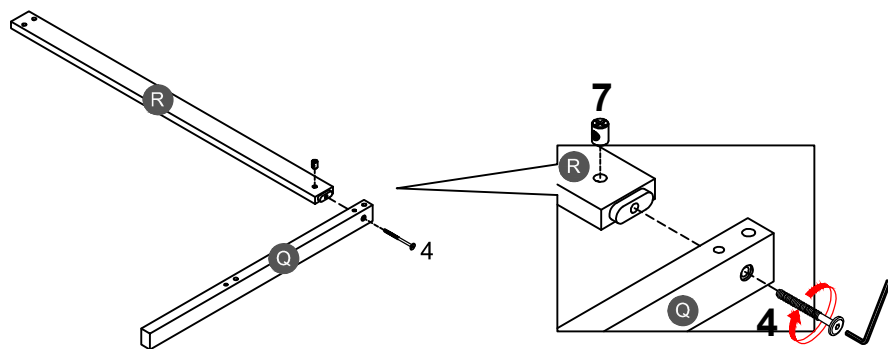


5



4PCS

STEP 8:



4






1PC

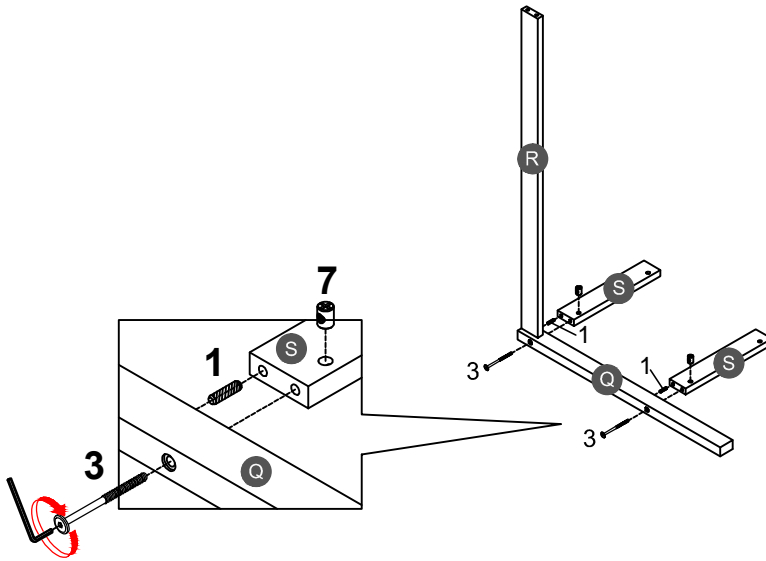
7






1PC

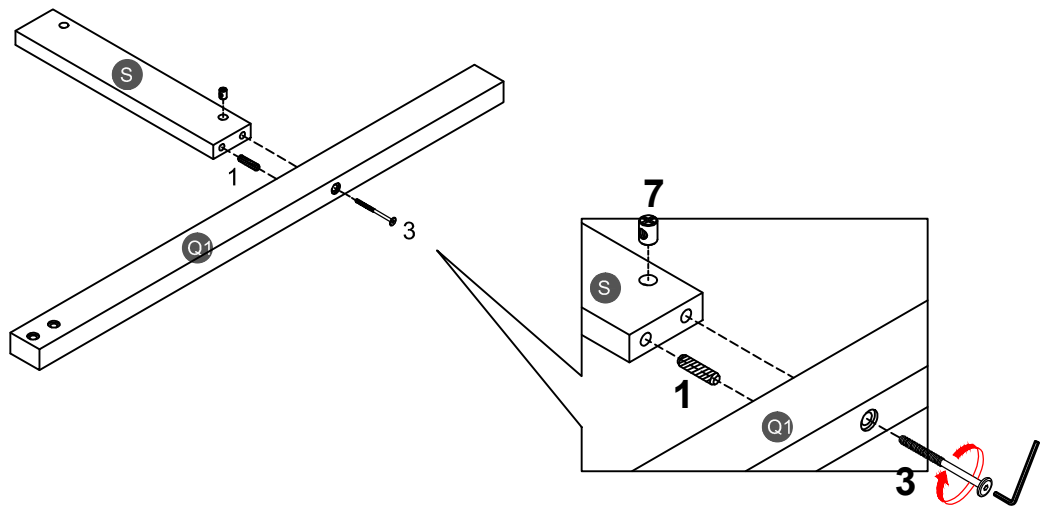
STEP 9:

1		3		7	
2PCS		2PCS		2PCS	

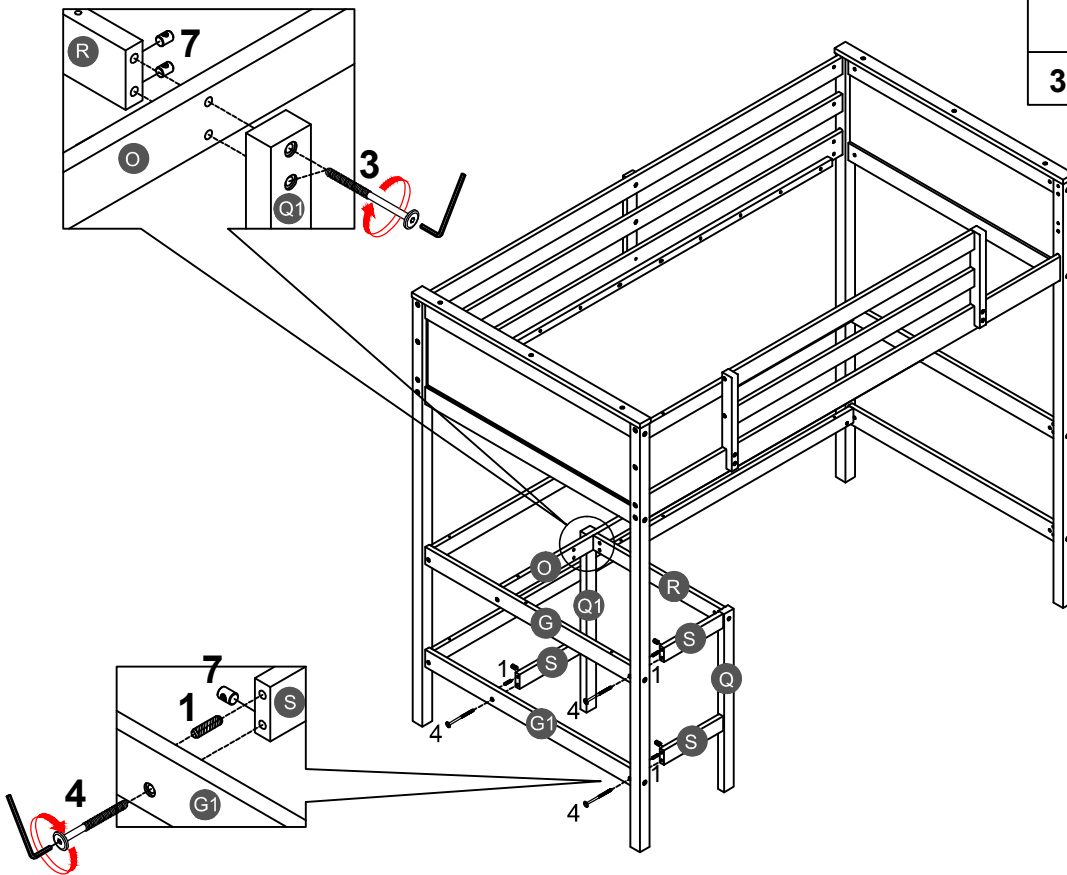






STEP 10:

1		3		7	
1PC		1PC		1PC	

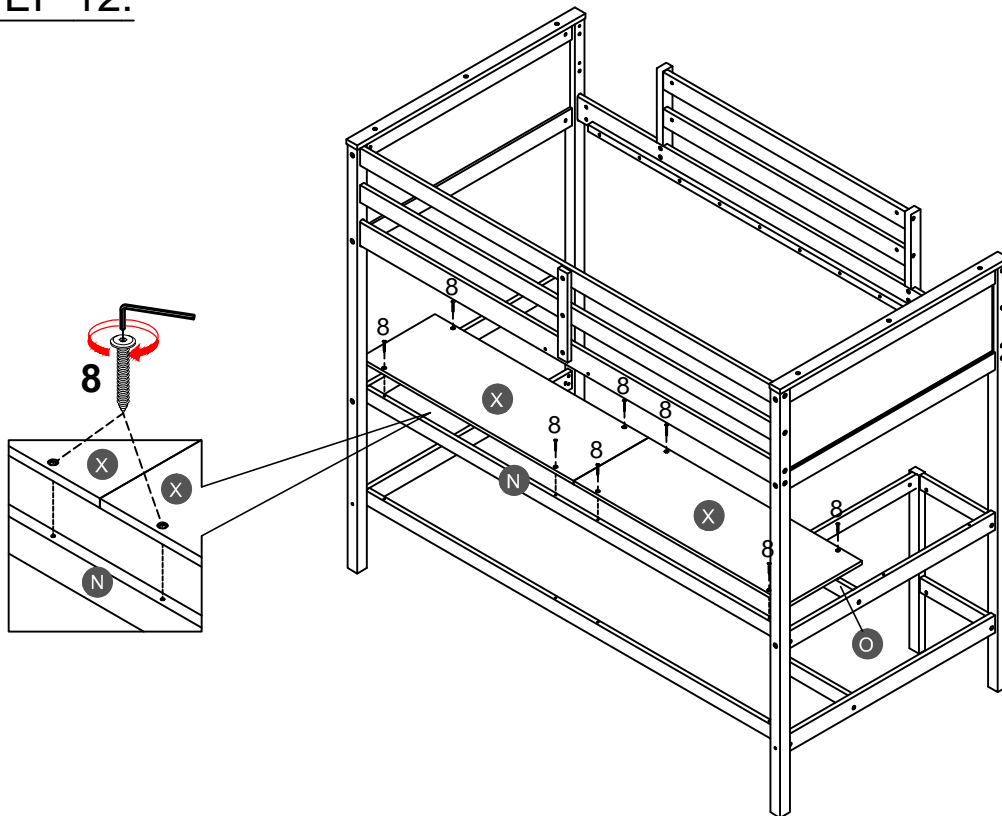



STEP 11:



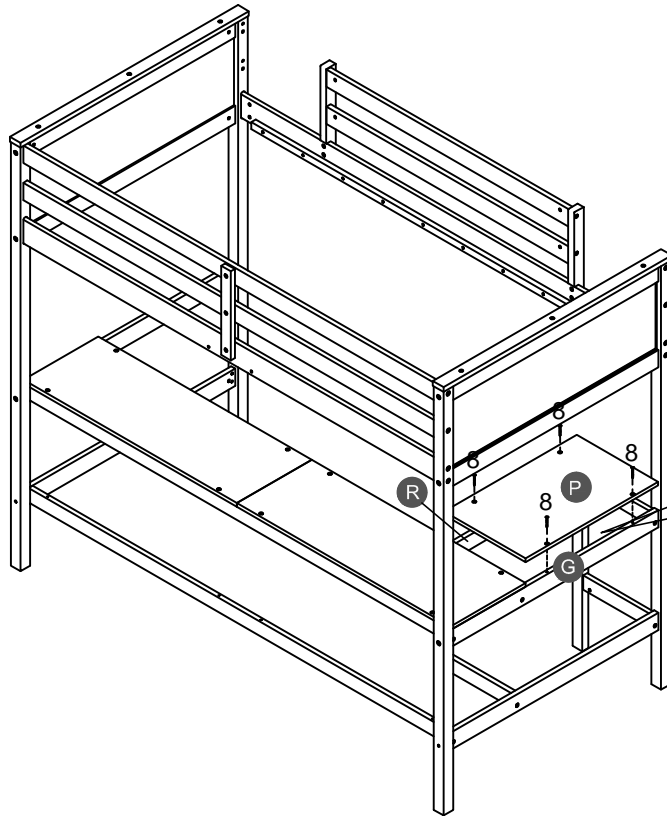
1		3	
3PCS		2PCS	
		4	
		3PCS	
		7	
		5PCS	


STEP 12:

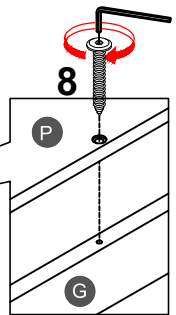


8	
8PCS	

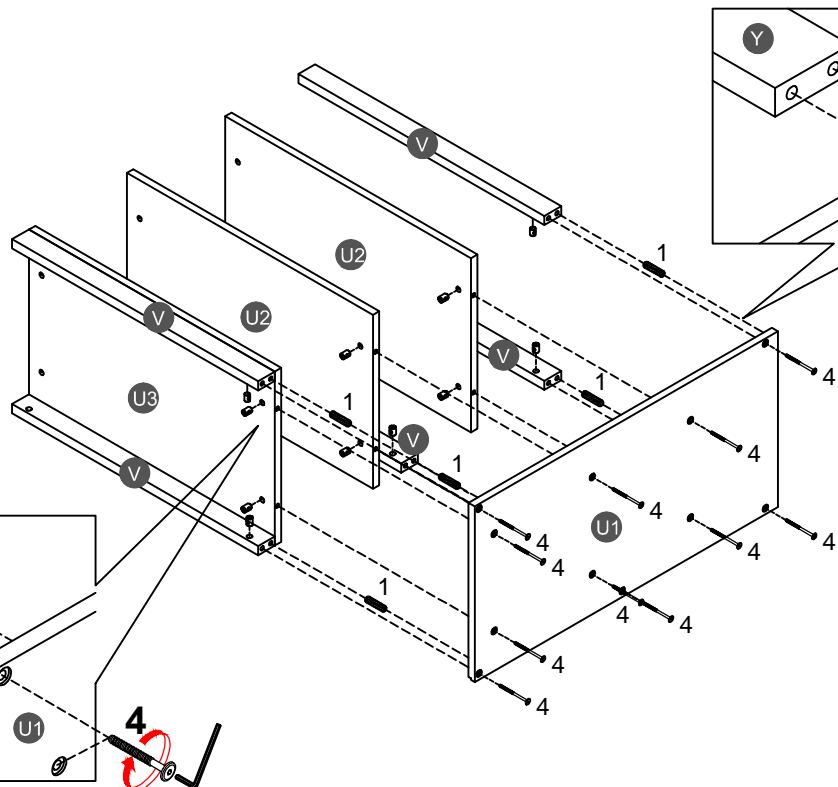
STEP 13:






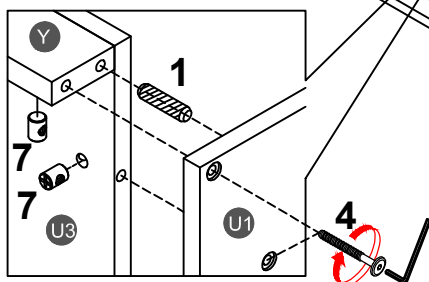
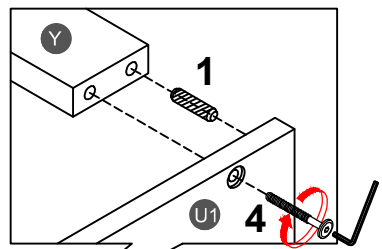
8	
4PCS	






STEP 14:

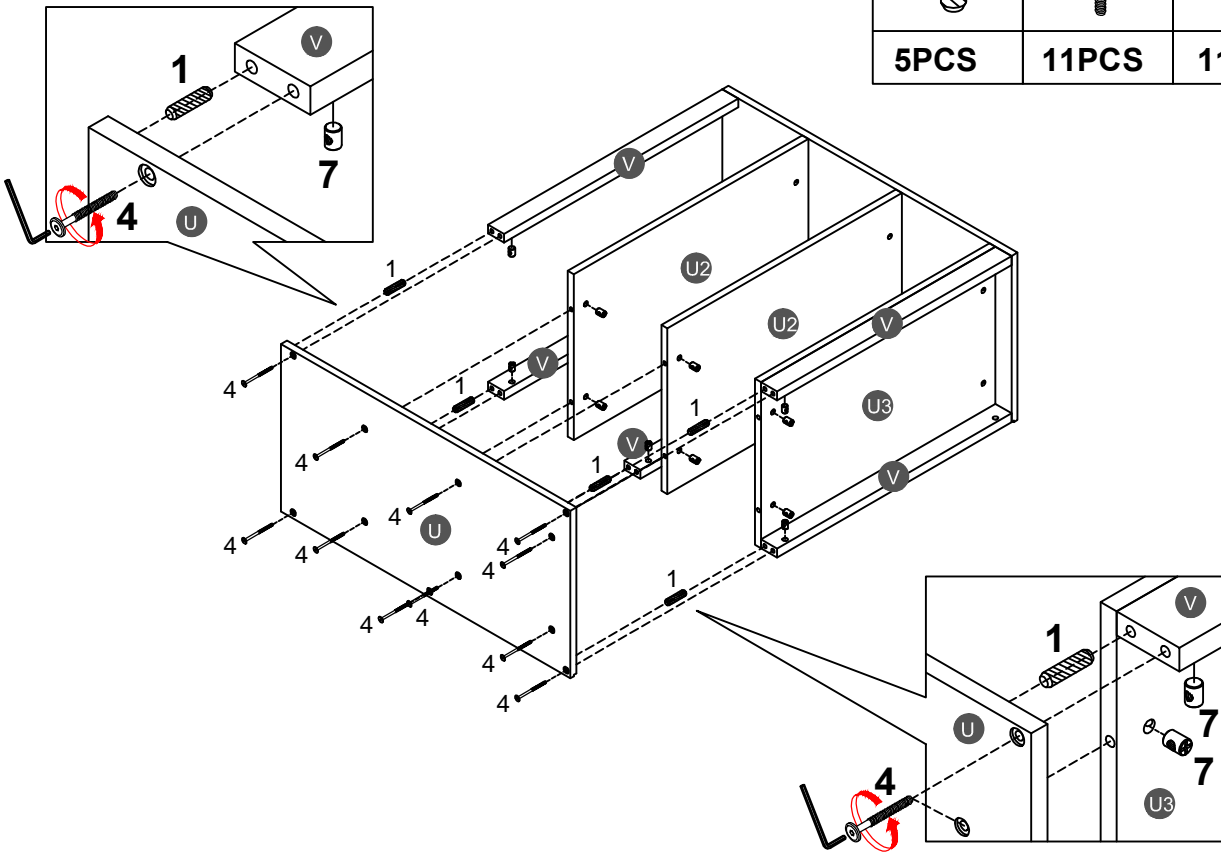


1	4	7
		
5PCS	11PCS	11PCS




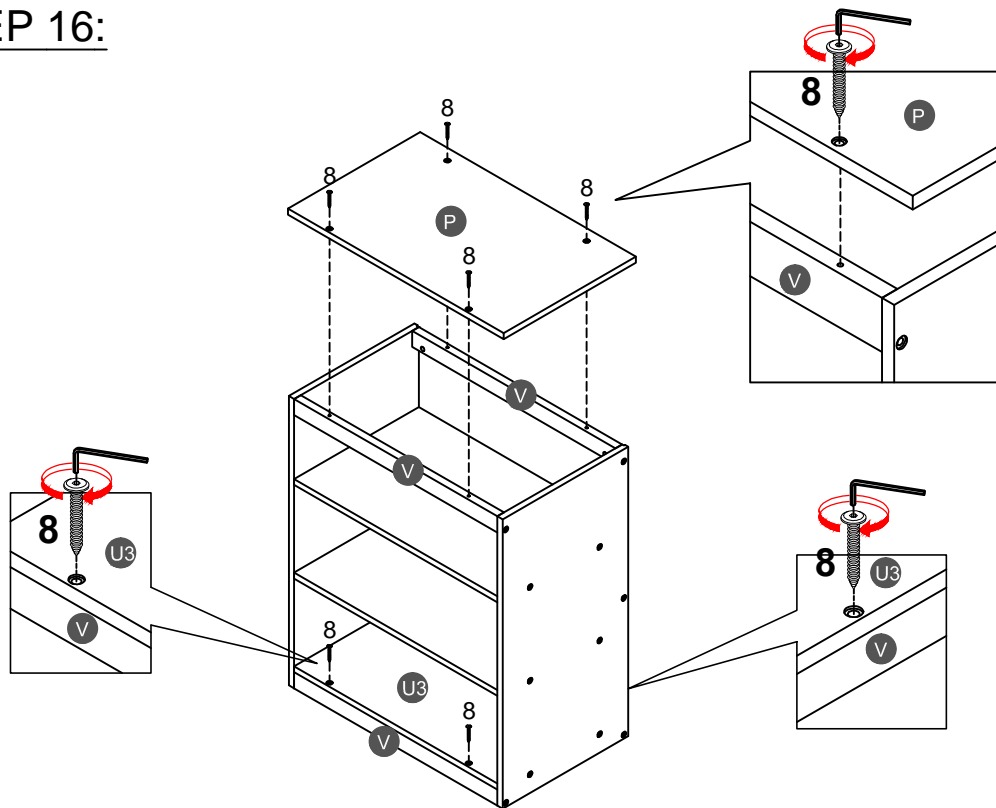
STEP 15:

1		4		7	
5PCS		11PCS		11PCS	



STEP 16:

8	
8PCS	

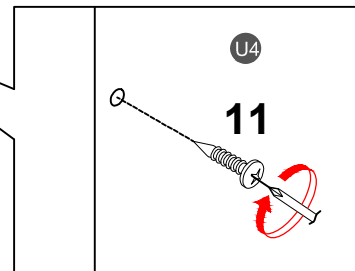
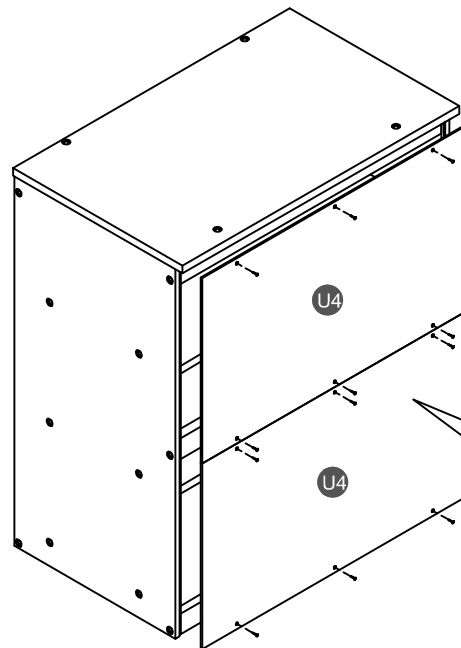


STEP 17:

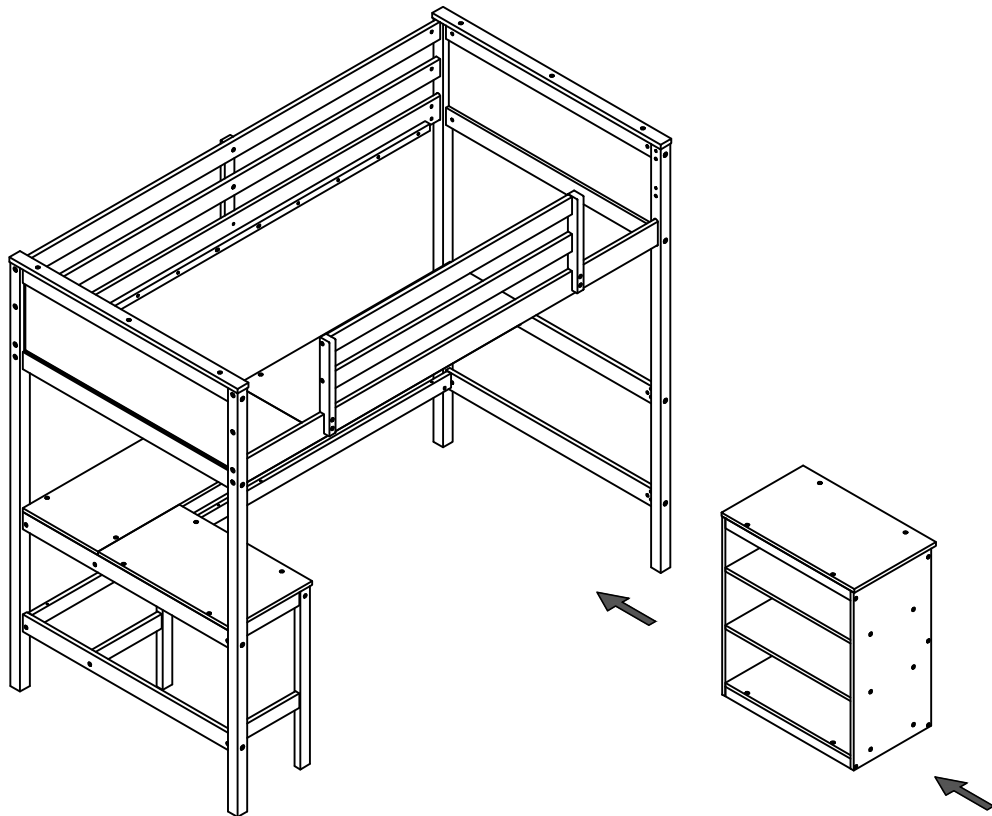
11





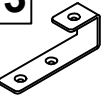

12PCS

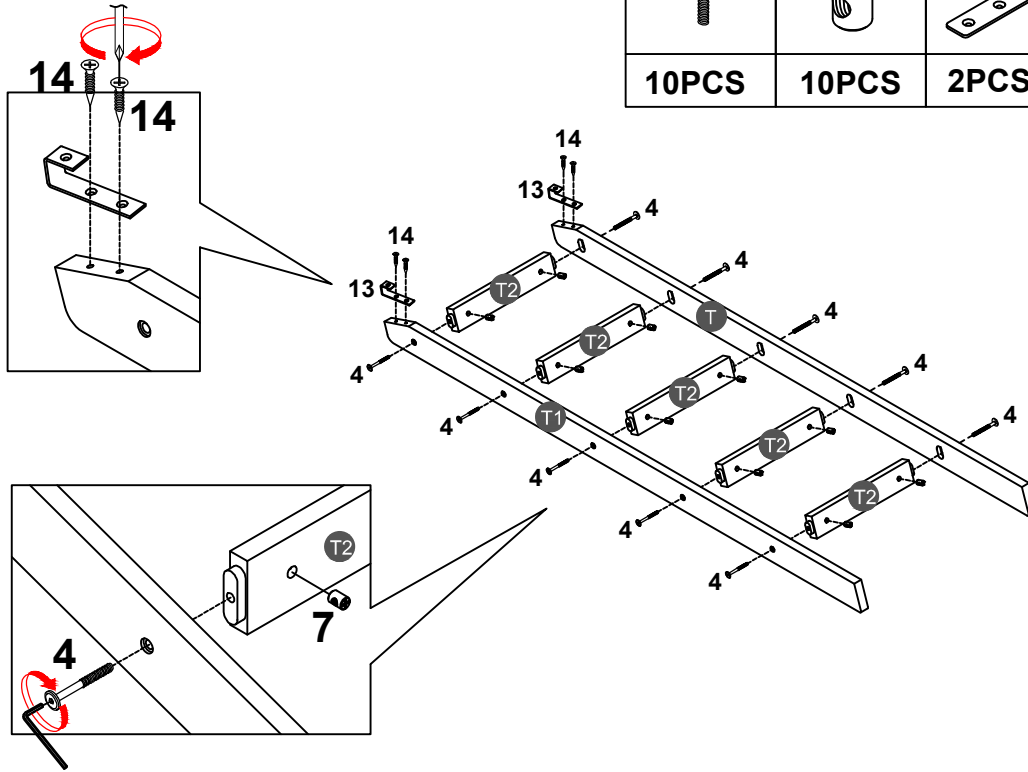


STEP 18:

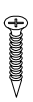


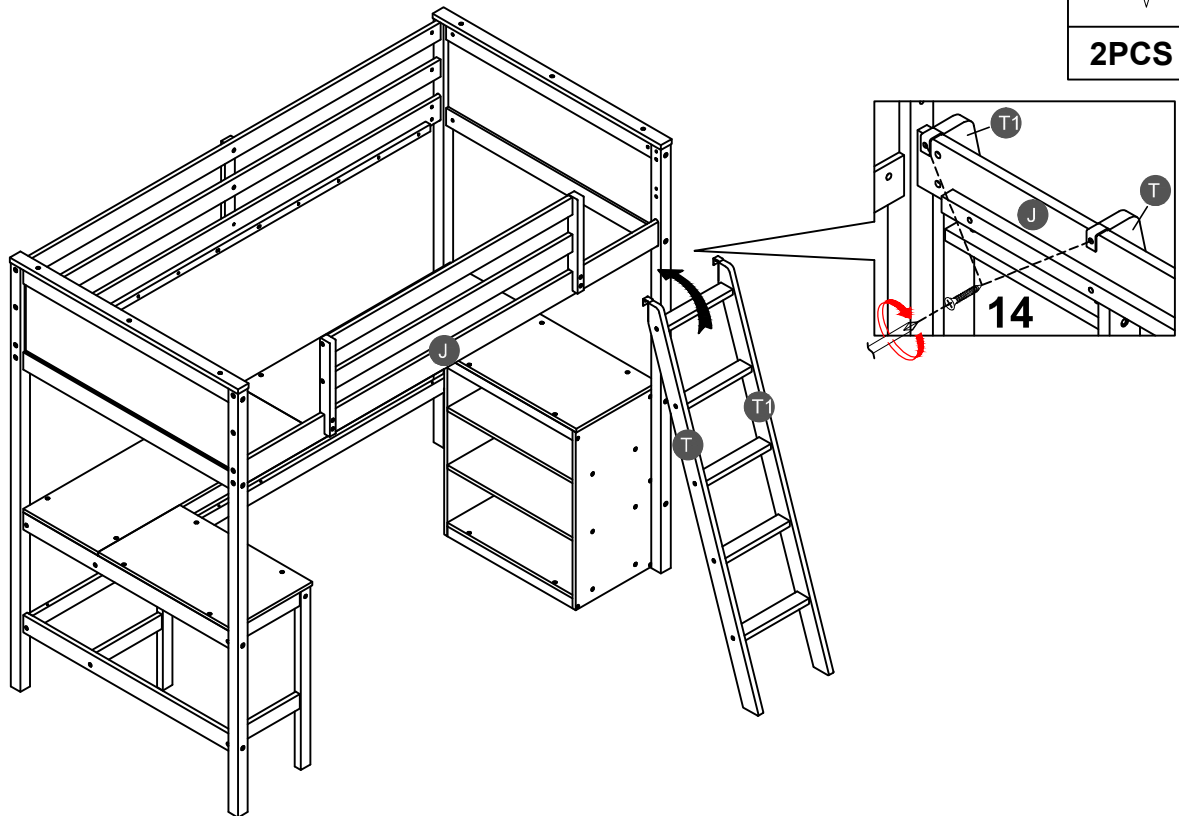
STEP 19:

4		7		13		14	
10PCS		10PCS		2PCS		4PCS	



STEP 20:

14	
2PCS	

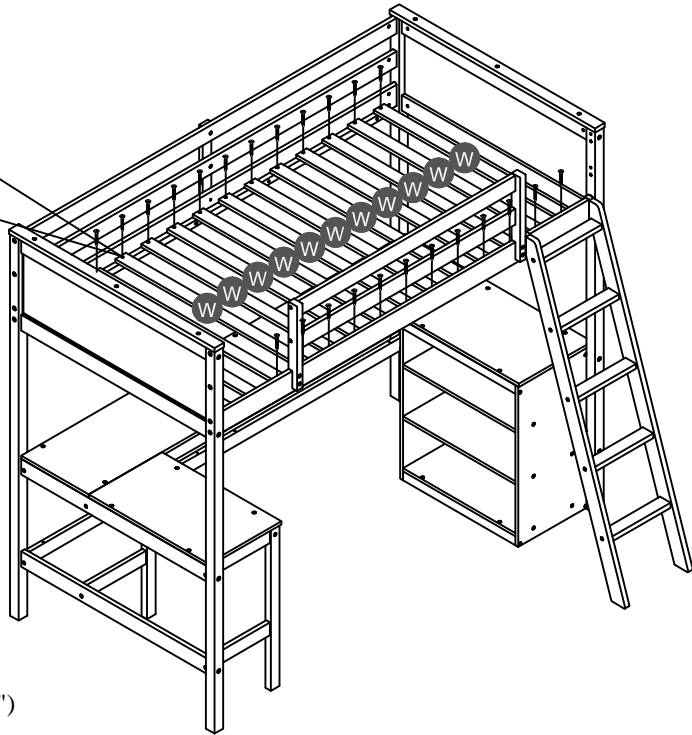
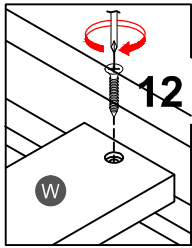


STEP 21:

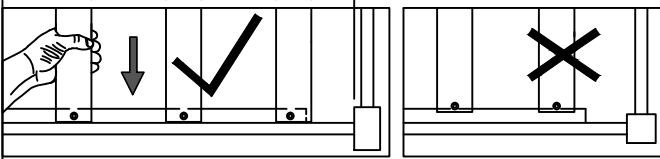
12



28PCS



(3.1") 79mm (3.3") 84.5mm (2.4") 61mm



Note: Do not lock the screws of the bed slats to the outermost edge of the bed slats, you need to leave a certain space at the edges, otherwise it will cause the board to break. Do not lock the bed slats on the edge of the wood, please hold firmly before screwing , hold it in place with one hand, then lock the screw.

