

Assembly Instructions (Ottoman CT6001)

Thank you for purchasing this quality product.

Important - Please read these instructions carefully before starting assembly and keep for further reference

- **Keep children and animals away from the assembly work area, avoid eating and injuring.**
- Check you have all the components and tools listed following
- Remove all fittings from the plastic bags and separate them into their groups.
- Make sure you have enough space to layout the parts before starting.
- During assembly do not stand or put weight on the product, this could cause damage.
- Assemble the item as close to its final position (in the same room) as possible.
- Assemble on a soft level surface to avoid damaging the unit or your floor.
- Parts of the assembly will be easier with 2 people.

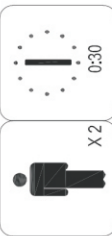
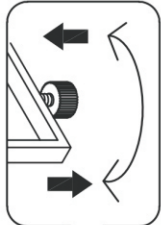
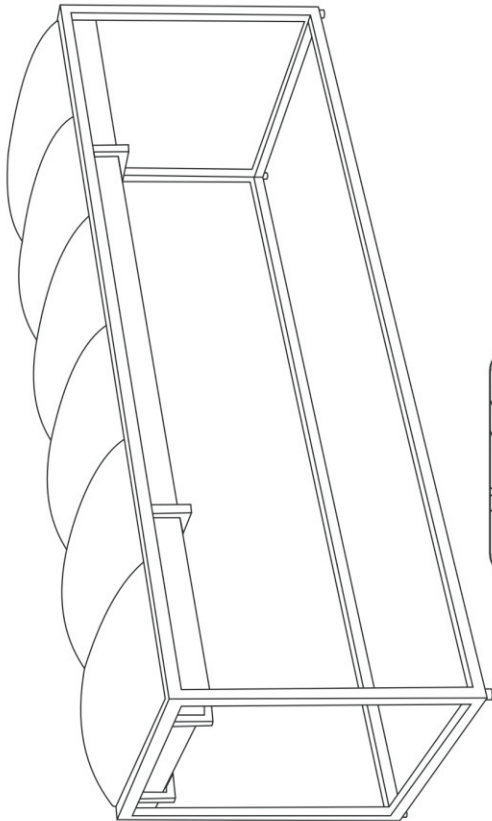
Care and maintenance

- From time to time check that there are no loose screws on this unit.
- **Always lift the product when moving it around. Never drag.**

Handy Hints

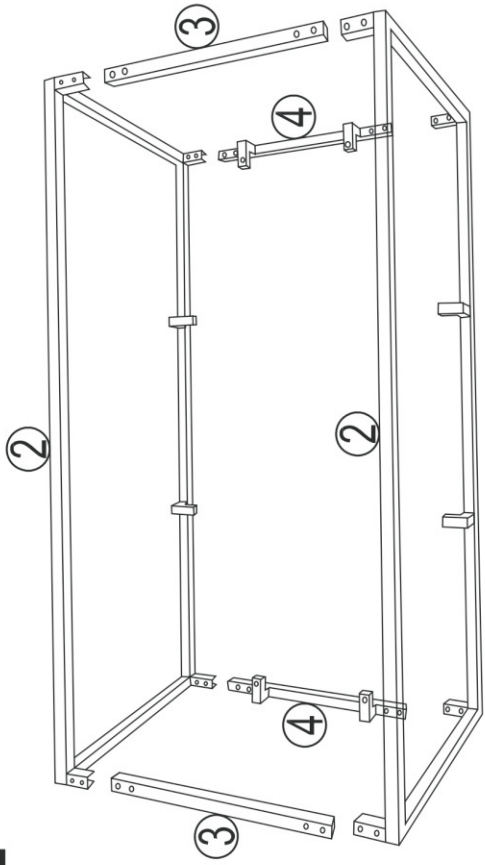
- Assemble all parts and bolts loosely at first, only once the product is complete should you fully tighten the bolts.
- Regularly check and ensure that all bolts and fittings are tightened properly

CT6001

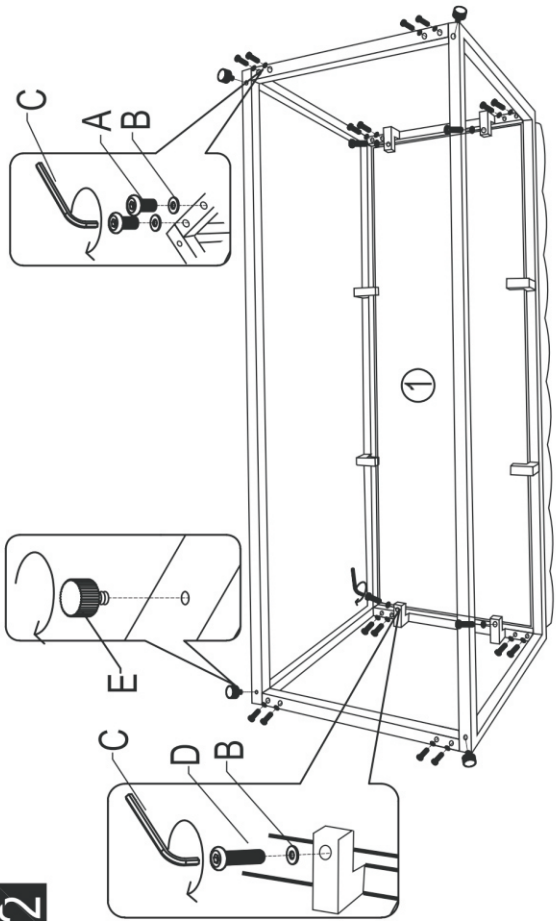


- | | | | | | | | | | | | | | | | | | |
|---|----|---|----|---|----|---|----|---|-----|---|-----|---|----|---|----|---|----|
| ① | X1 | ② | X2 | ③ | X2 | ④ | X2 | A | X16 | B | X20 | C | X1 | D | X4 | E | X4 |
|---|----|---|----|---|----|---|----|---|-----|---|-----|---|----|---|----|---|----|

1



2



- | | | | | | | | | | |
|---|-----|---|-----|---|----|---|----|---|----|
| A | X16 | B | X20 | C | X1 | D | X4 | E | X4 |
|---|-----|---|-----|---|----|---|----|---|----|