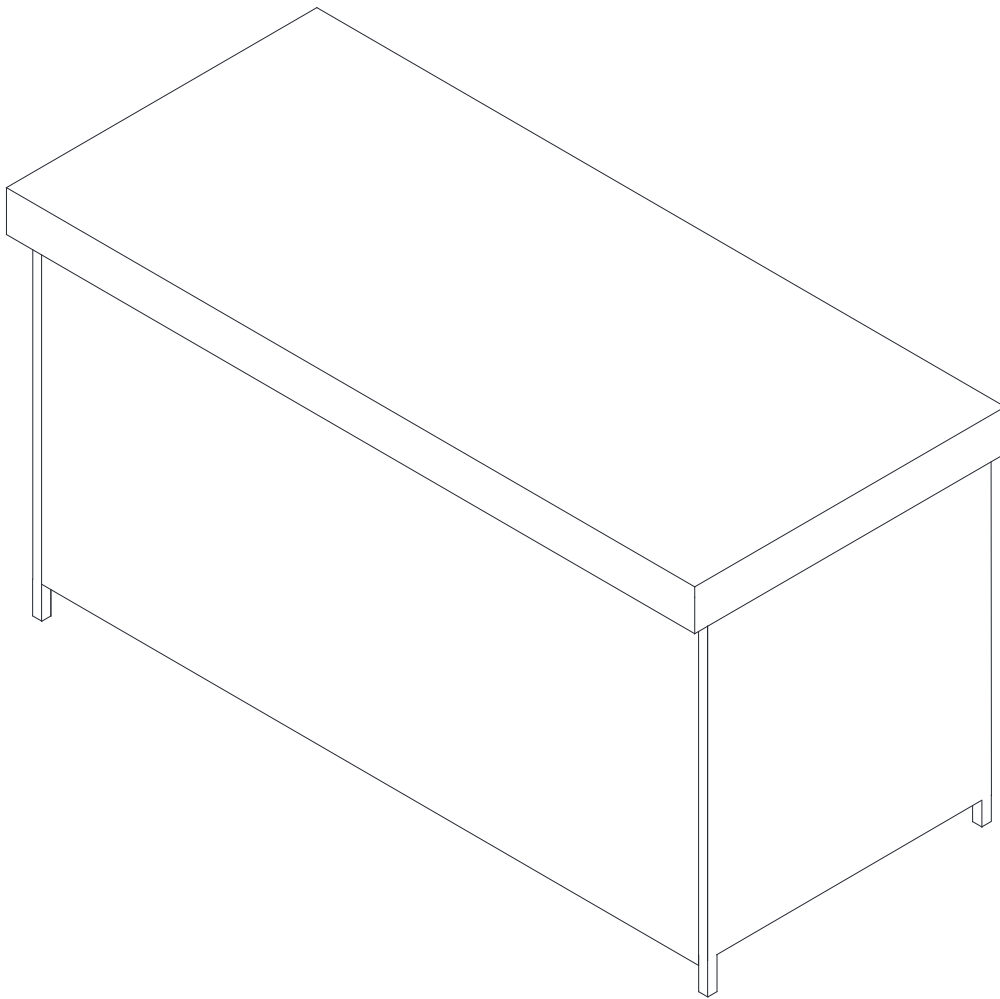


# ASSEMBLY INSTRUCTIONS

HKQNHN-V1

FTPLPP-0004



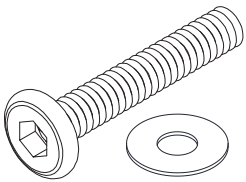
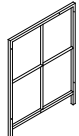
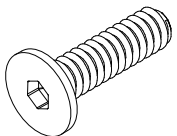
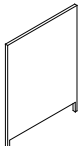
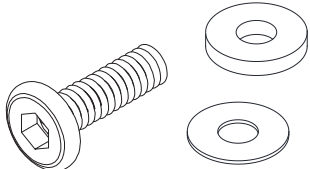
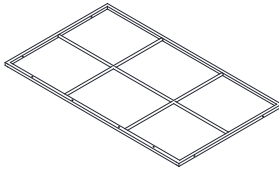
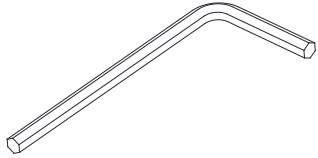
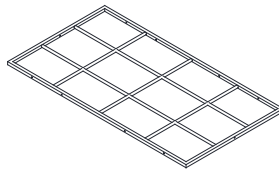
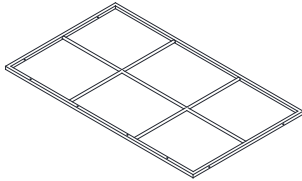
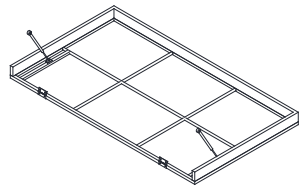
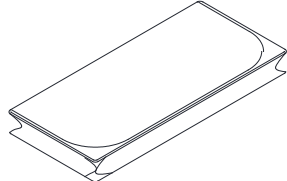
DECK BOX

# ASSEMBLY INSTRUCTIONS

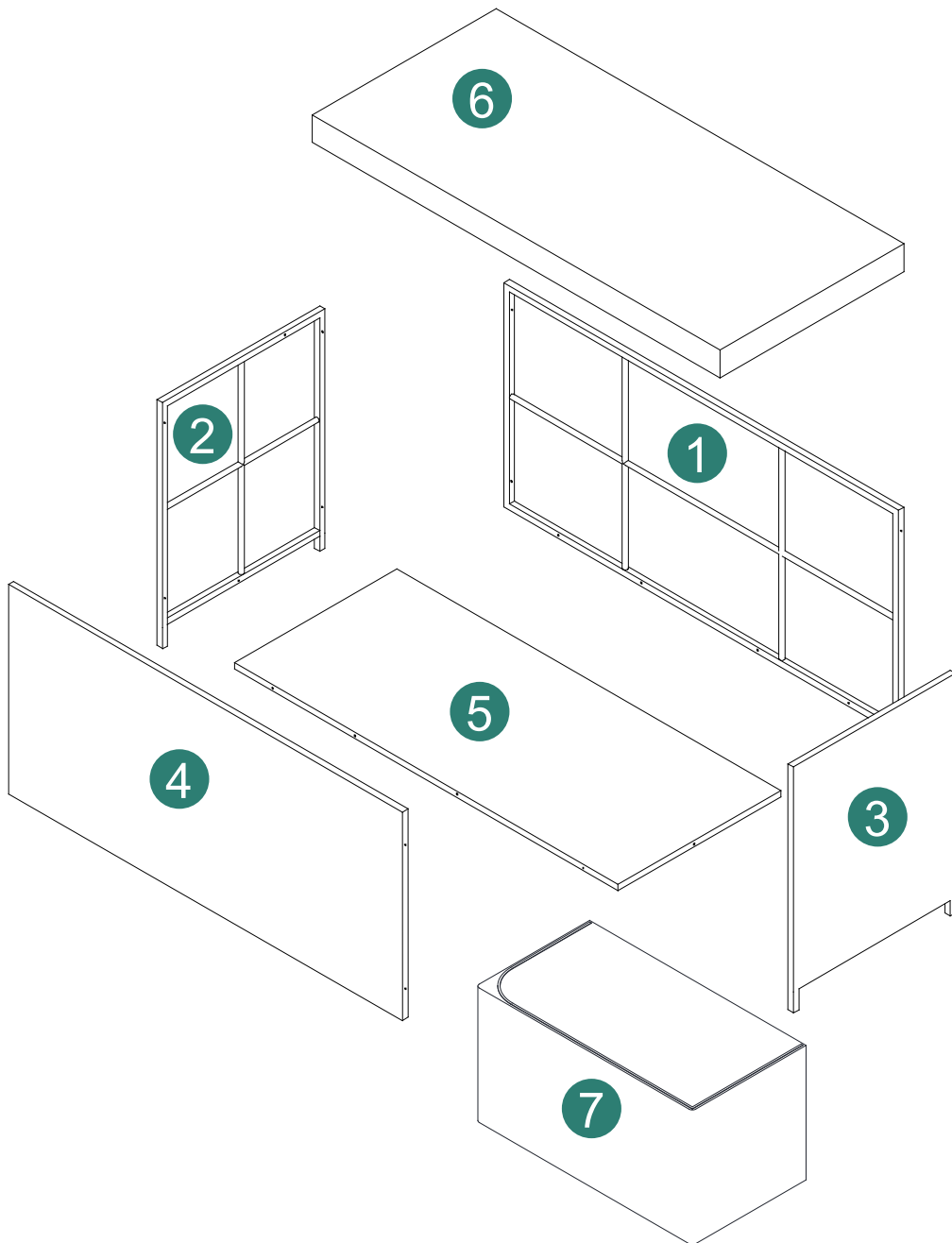
“ IMPORTANT, RETAIN FOR FUTURE REFERENCE: READ CAREFULLY”

Notice :

1. Follow the installation instructions. Please confirm all accessories are preset before installation.
2. Do not fully tighten the screws during initial assembly. Fully tighten screws only once all pieces which are correctly assembled.
3. If you encounter any problems during installation, refer to two solutions: Follow the installation video tutorial on the Amazon product page or contact our customer service.

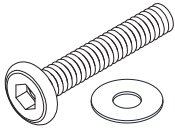
Item no.	Reference Image	Qty.	Item no.	Reference Image	Qty.
Ⓐ	 M6 x 35	×18	②		×1
Ⓑ	 M6x15	×4	③		×1
Ⓒ	 M6*25	×2	④		×1
-		×2	⑤		×1
①		×1	⑥		×1
			⑦		×1

## Explosion diagram

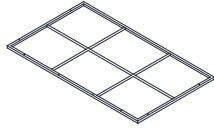


# ASSEMBLY INSTRUCTIONS

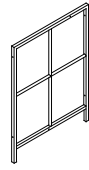
1



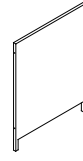
(A) 4pcs



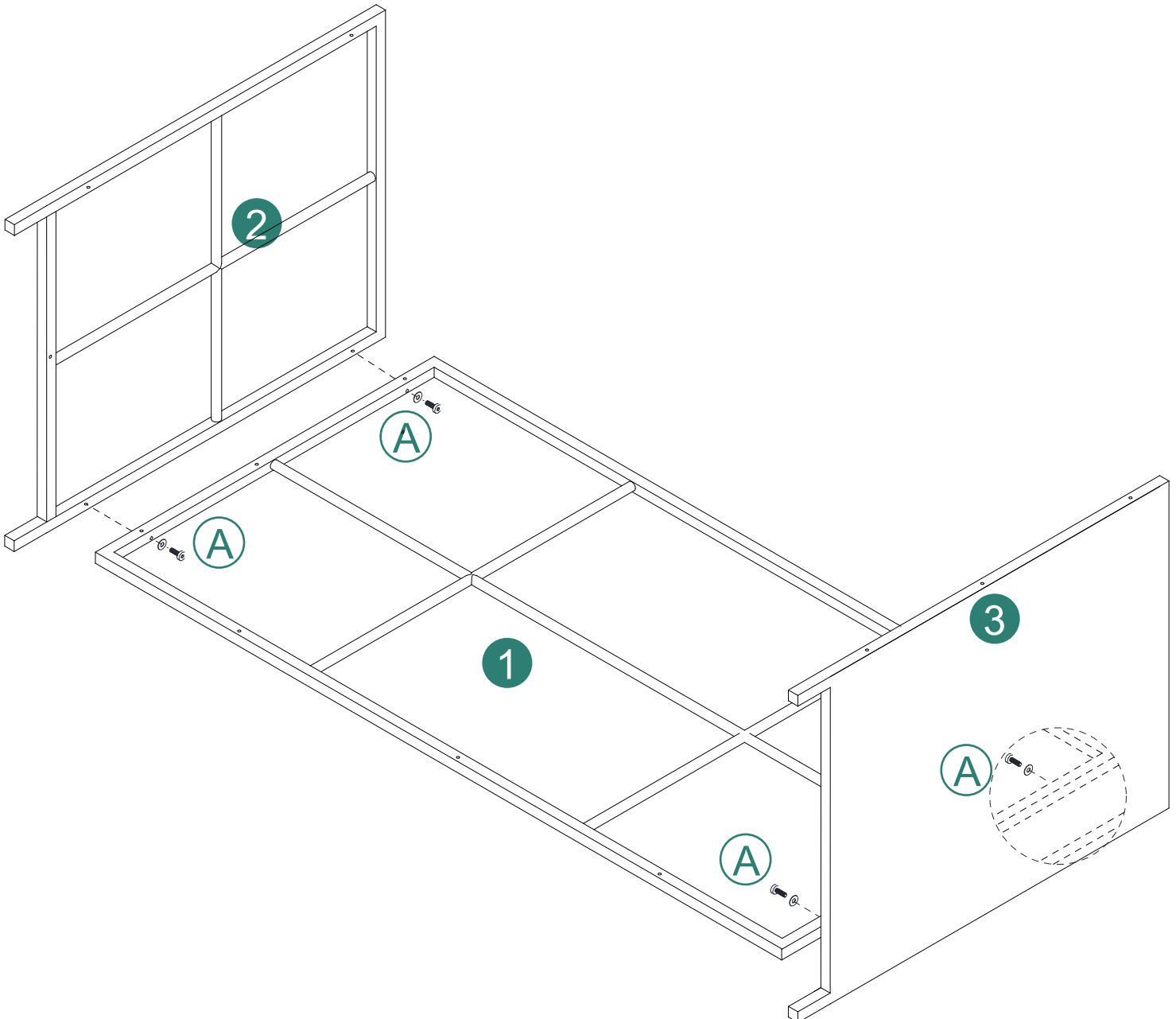
(1) 1pc



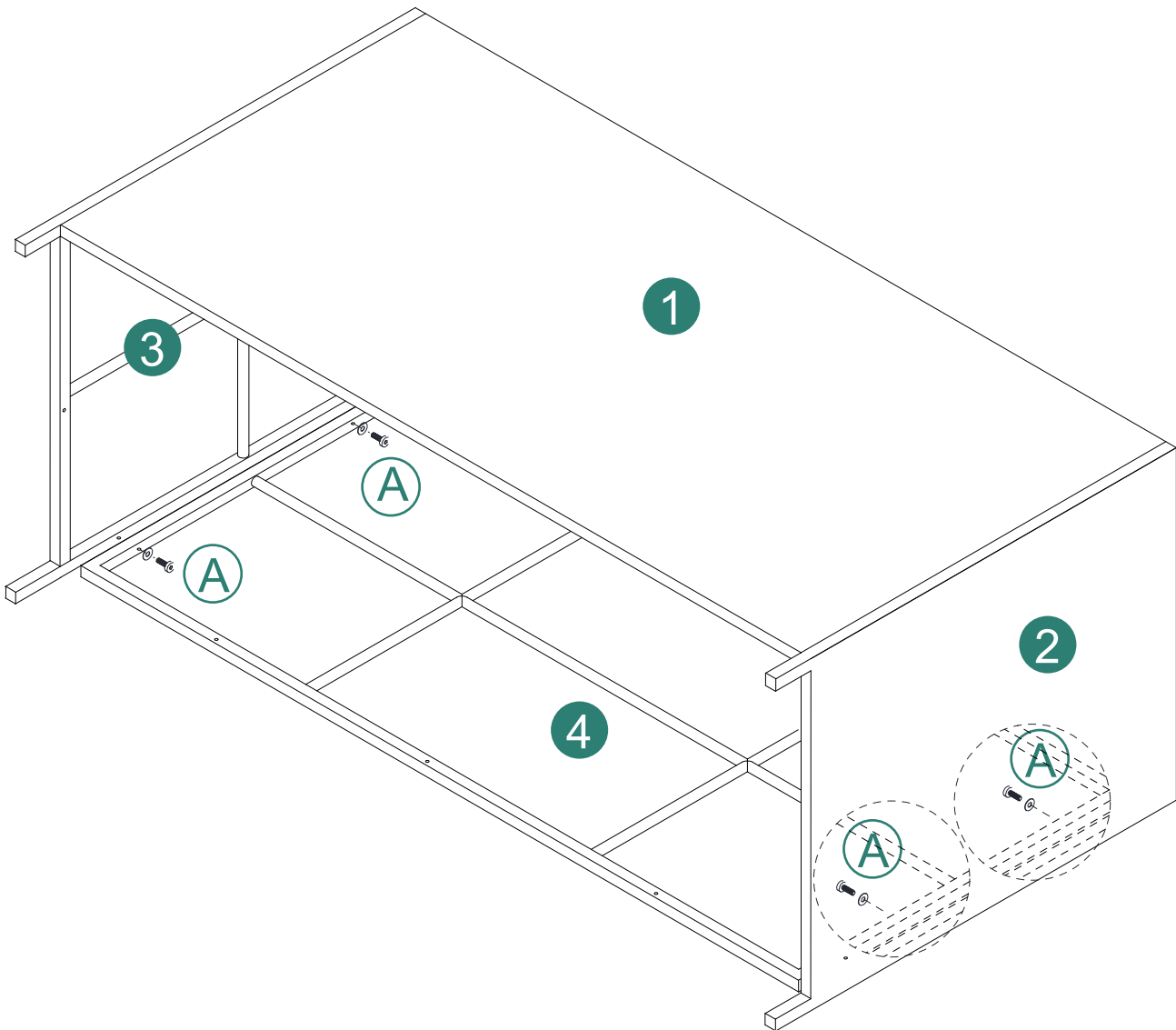
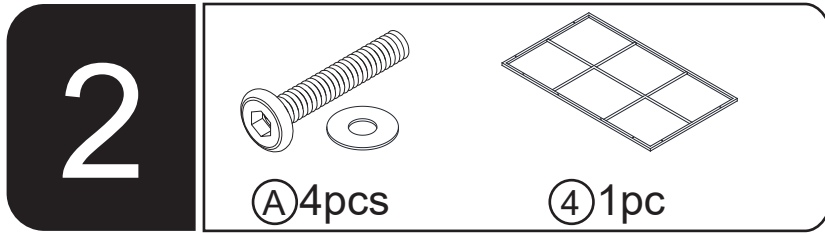
(2) 1pcs



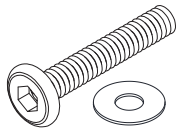
(3) 1pcs



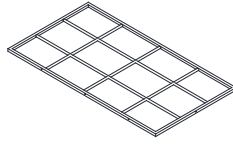
# ASSEMBLY INSTRUCTIONS



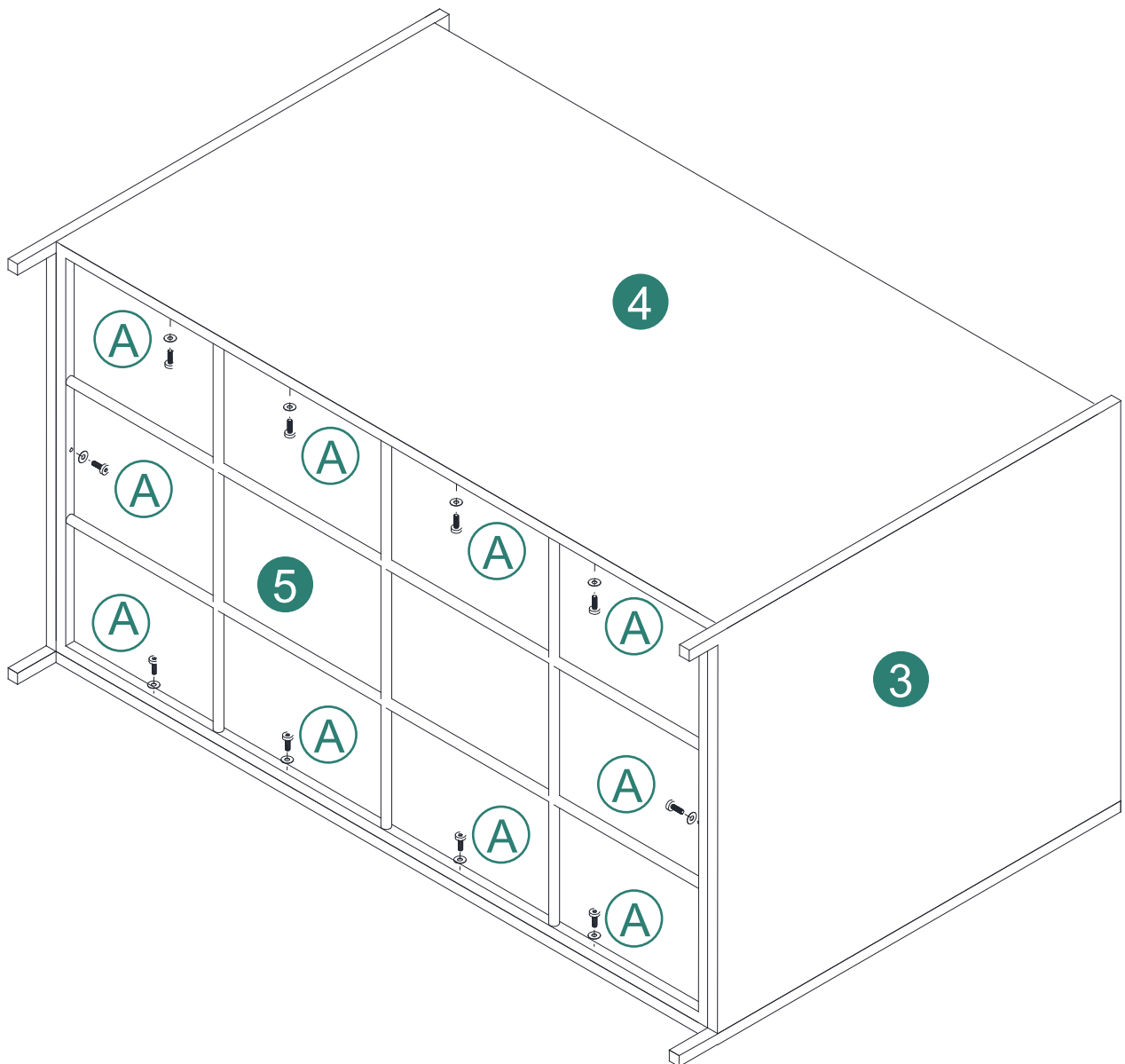
3



(A) 10pcs

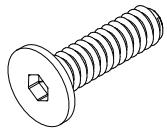


(5) 1pc

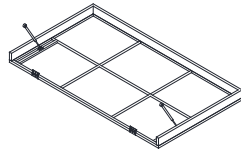


# ASSEMBLY INSTRUCTIONS

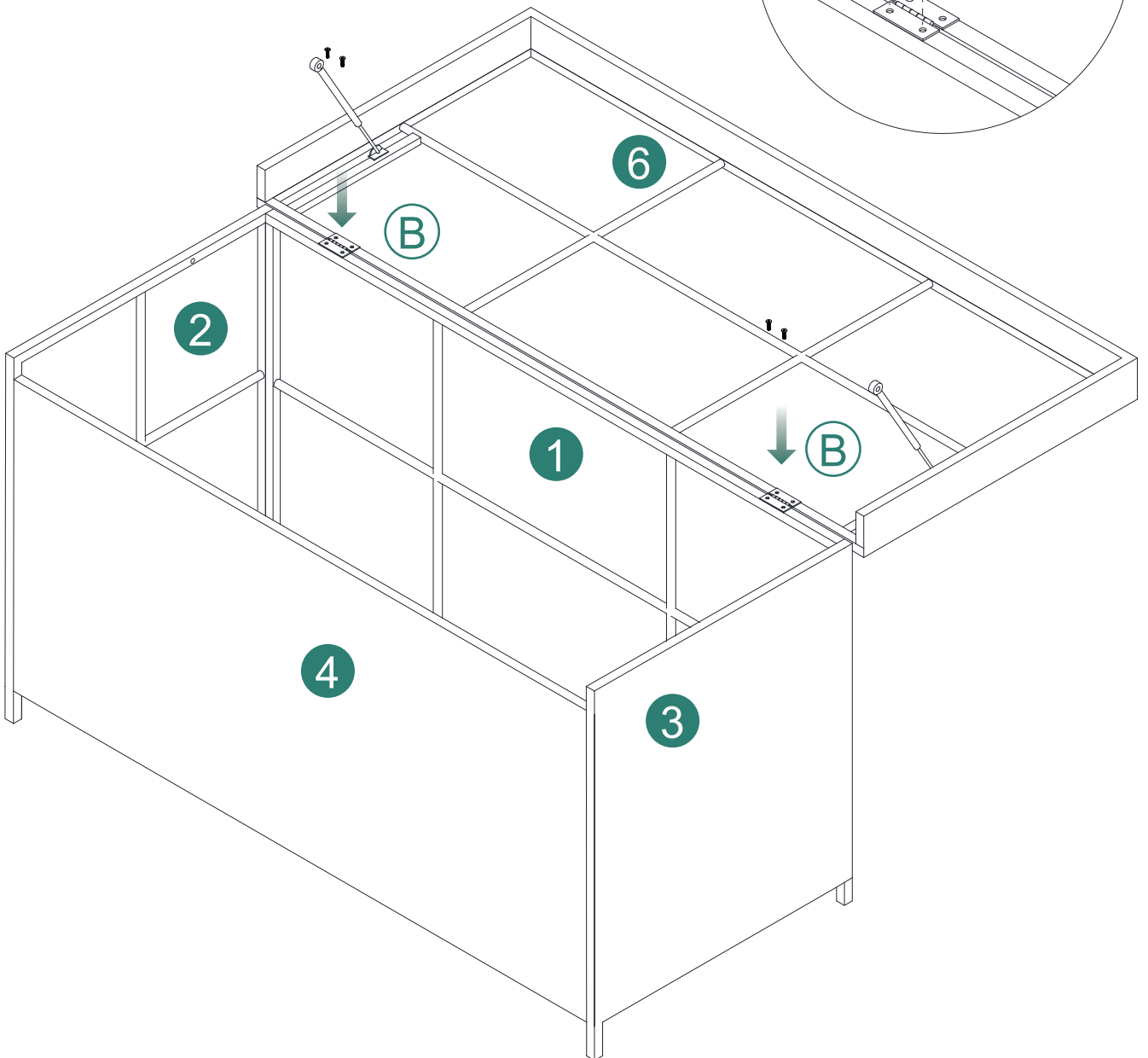
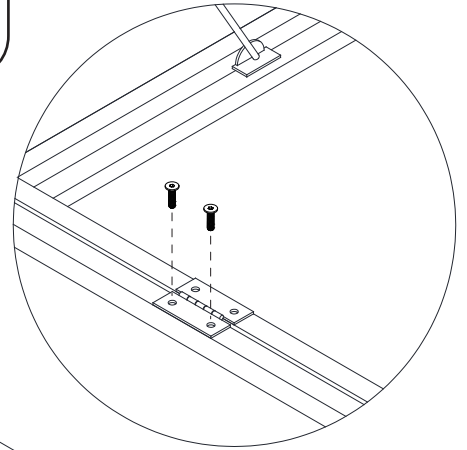
4



Ⓑ 4pcs

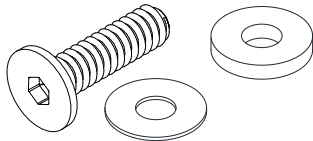


Ⓒ 1pcs

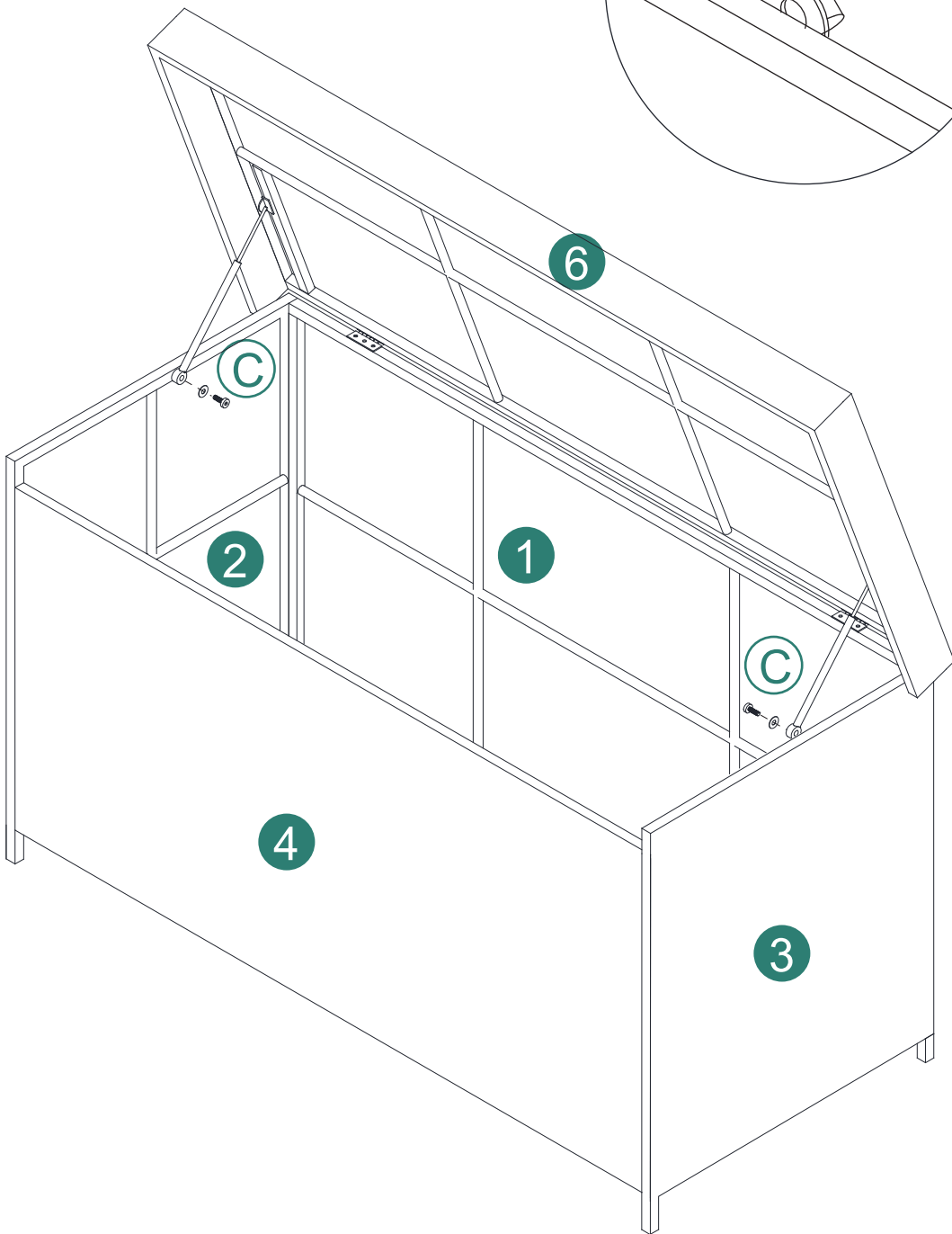
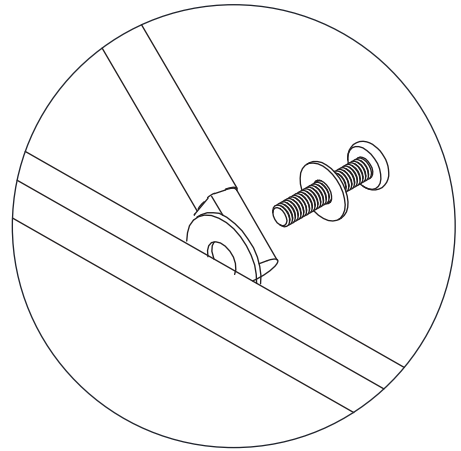


# ASSEMBLY INSTRUCTIONS

5

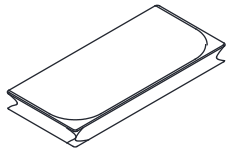


Ⓒ 2pcs

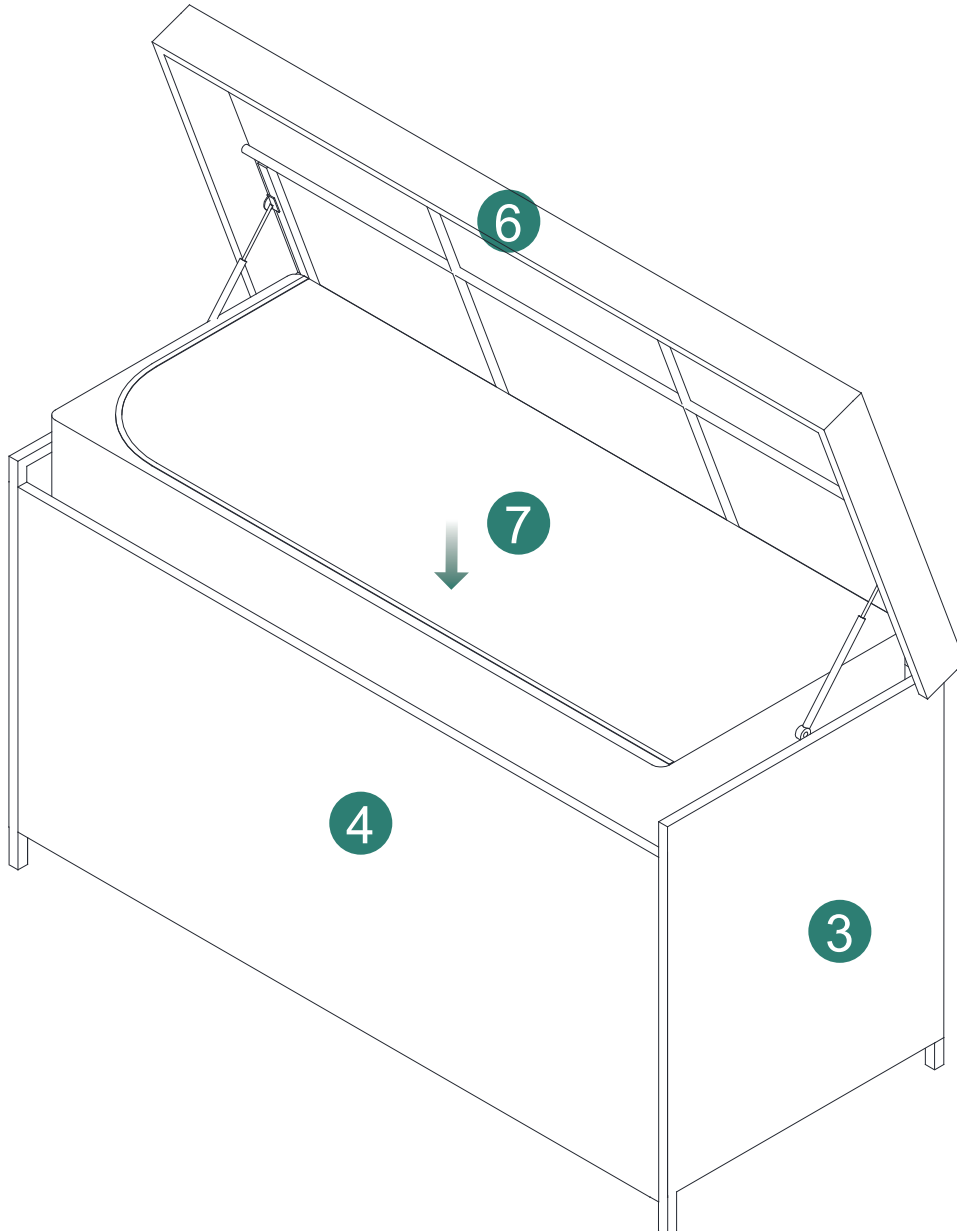


# ASSEMBLY INSTRUCTIONS

6



⑦ 1pcs



Installation Completed