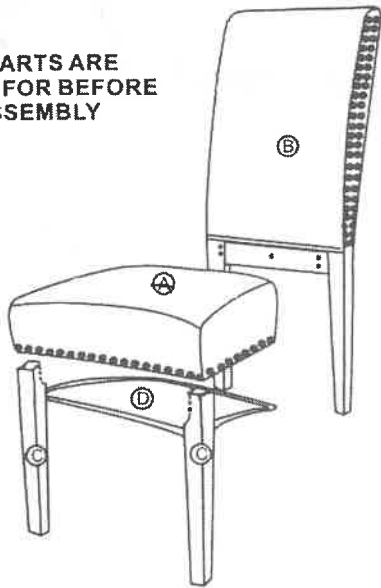
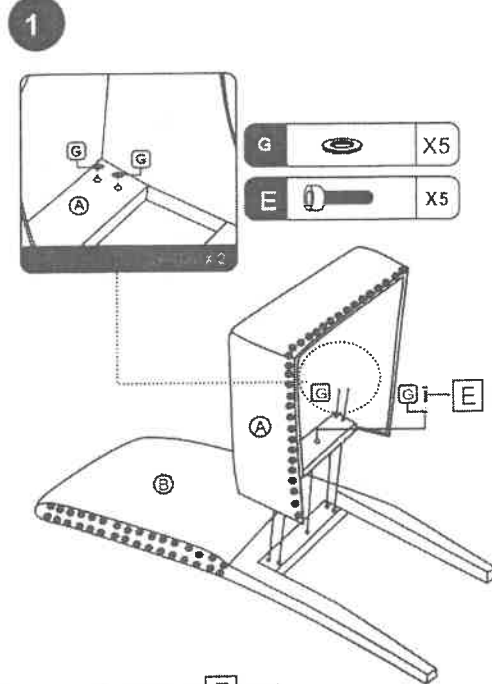


ASSEMBLY INSTRUCTION

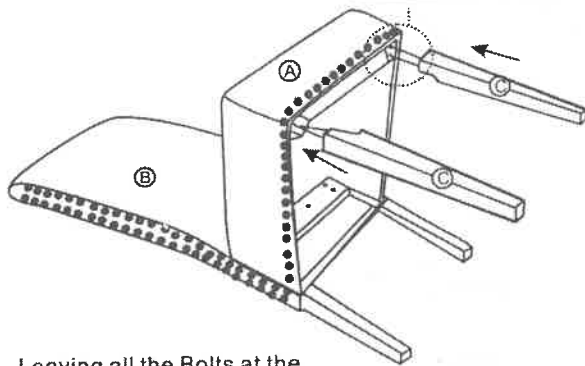
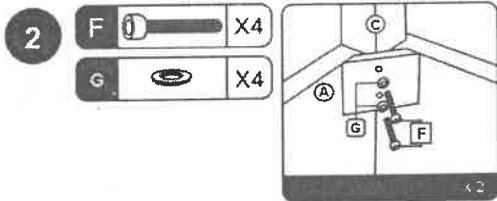
CHECK ALL PARTS ARE ACCOUNTED FOR BEFORE STARTING ASSEMBLY



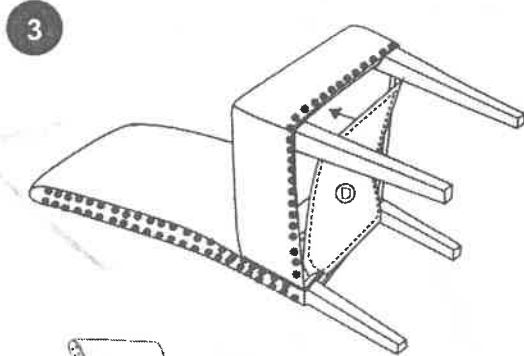
E		X5
F		X4
G		X9
H		X1



Finger tighten Bolt **E** and Bolts attaching the Seat **A** to the Back **B**



Leaving all the Bolts at the back of the Seat **A** finger tight, fully tighten Bolts **F** attaching the Front Legs **C** to the Seat **A**, Stand chair up on a flat surface ensuring chair sits level then fully tighten Bolts **G** and Bolt **F** attaching the Seat **A** to the Back **B**.



Attach Cover **D** to base of Seat **A** to complete assembly.

WARNING:

- DO NOT STAND ON THIS STOOL. DO NOT USE THIS STOOL AS A STEP LADDER.
- USE THIS PRODUCT ONLY FOR SEATING ONE PERSON AT A TIME.
- DO NOT USE THIS STOOL UNLESS ALL BOLTS, SCREWS AND KNOBS ARE FIRMLY SECURED.
- AT LEAST EVERY 4 MONTHS, CHECK ALL BOLTS, SCREWS AND KNOBS TO BE SURE THEY ARE TIGHT.
- IF PARTS ARE MISSING, BROKEN, DAMAGED OR WORN, STOP USING THIS PRODUCT UNTIL REPAIRS ARE MADE USING FACTORY AUTHORIZED PARTS.
- FAILURE TO FOLLOW THESE WARNINGS COULD RESULT IN SERIOUS INJURY.