

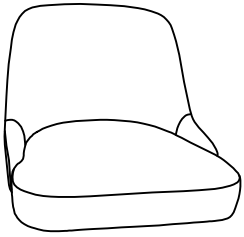
**ITEM NAME / NOM D'ITEM: KEPPEL SWIVEL BARSTOOL**

**PARTS LIST / LISTE DES PIÈCES**

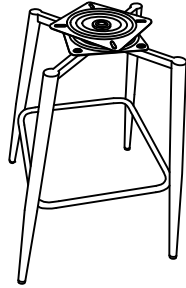
(1)

(2)

(3)

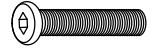


×1



×1

A. M6 x 20MM



x4

B. Ø8MM



x4

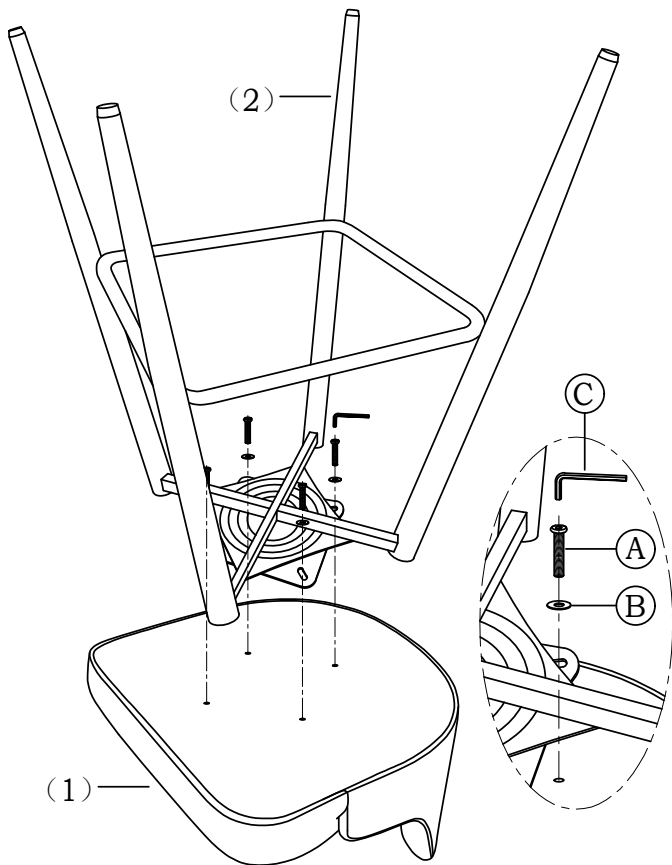
C. 4MM



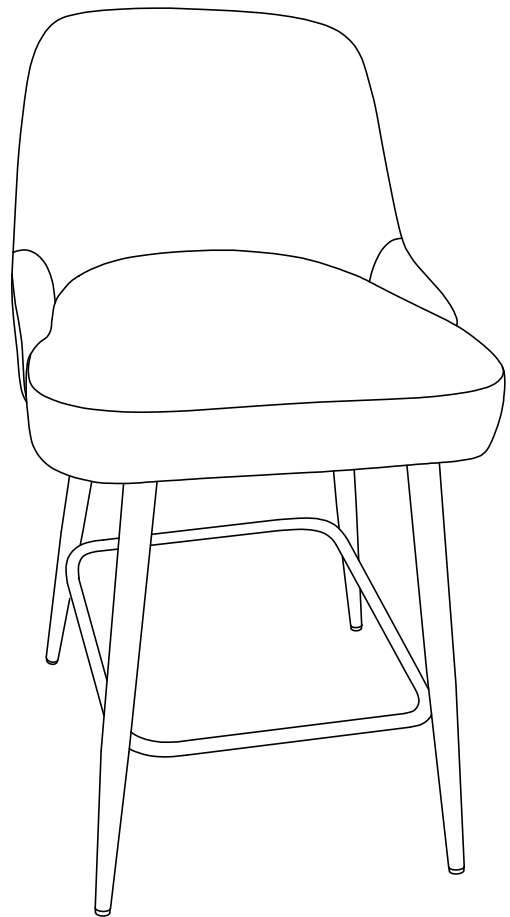
x1

**ASSEMBLY INSTRUCTIONS / INSTRUCTIONS D'ASSEMBLAGE**

I



II



Please use the attached adjustable footglides to level the chair on an uneven surface.