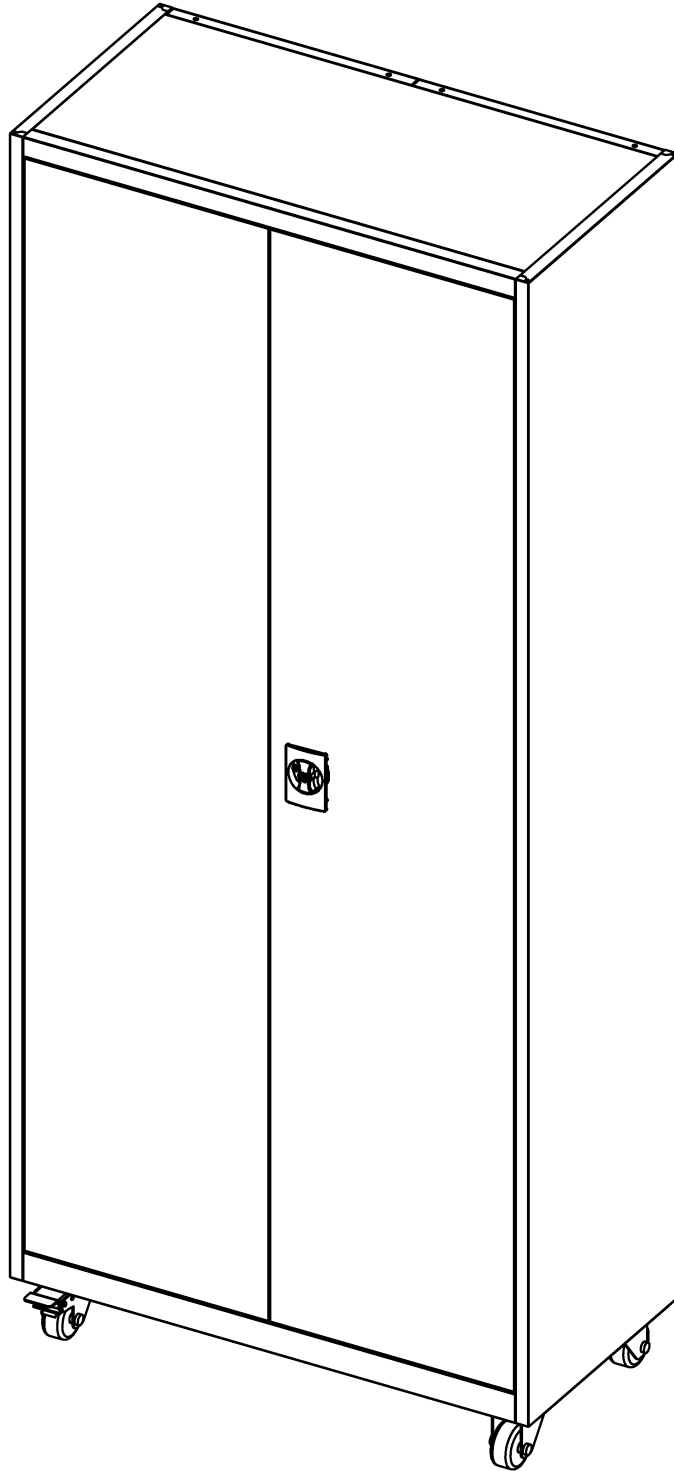
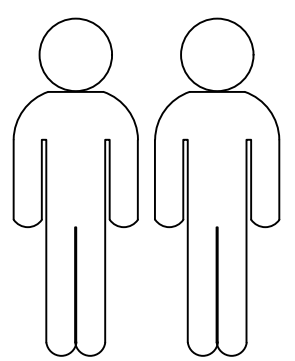
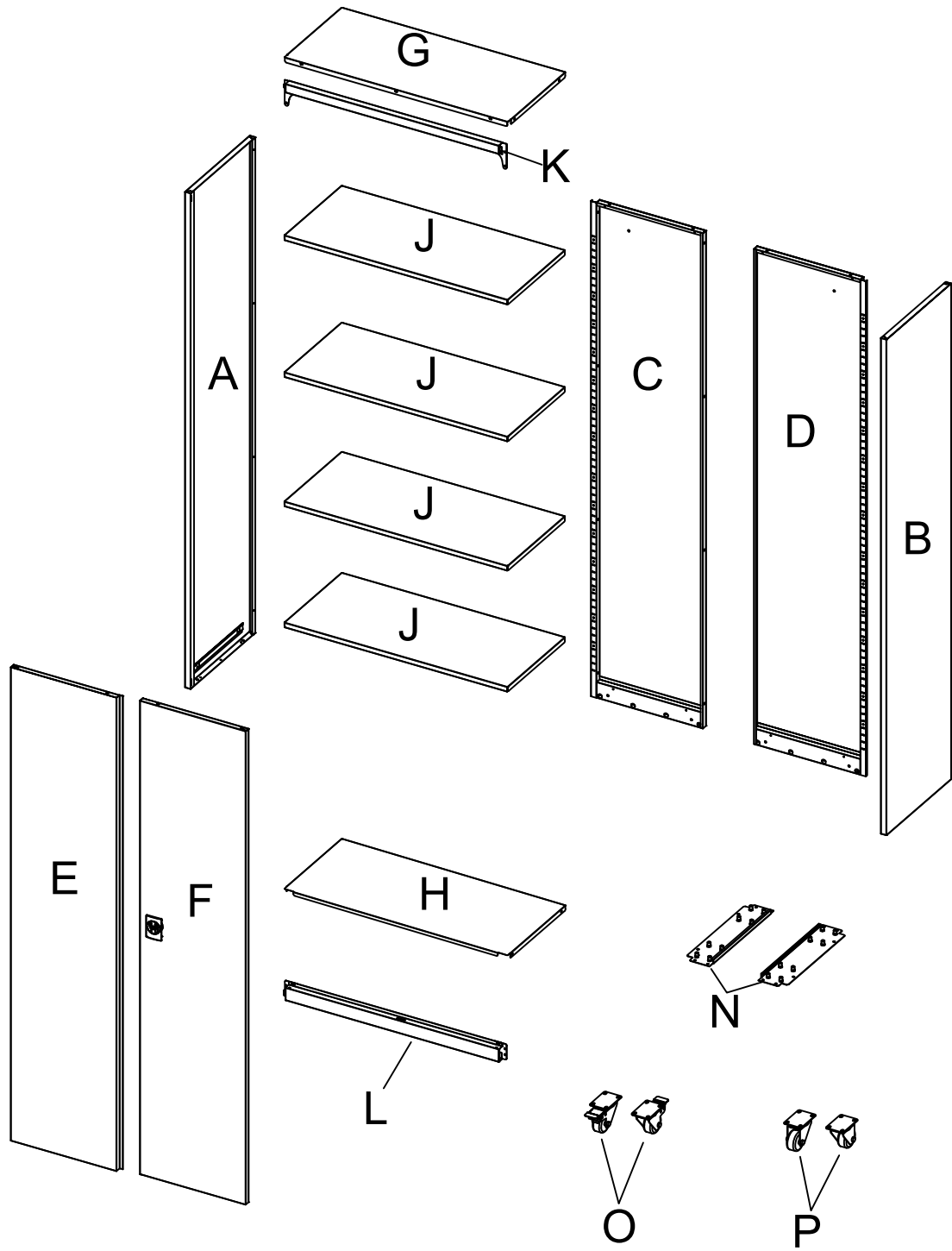
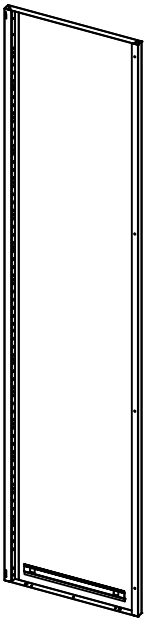
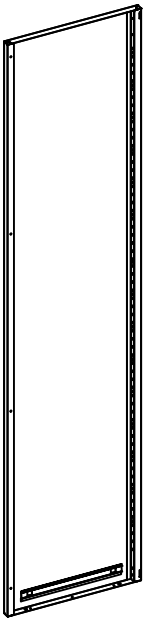
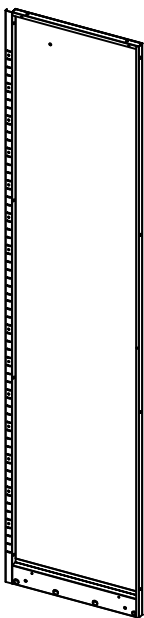
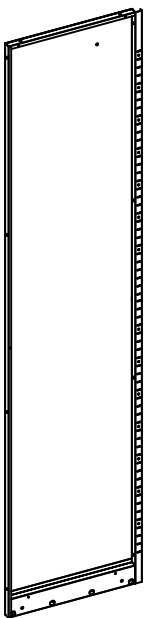
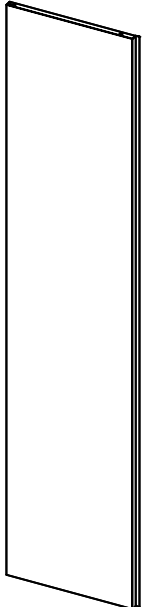
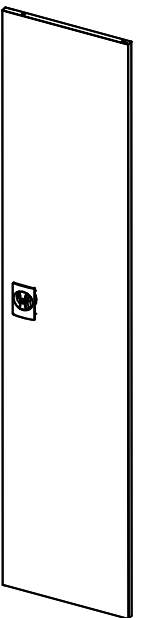
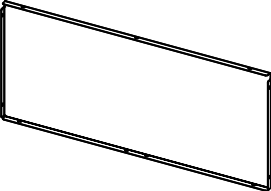
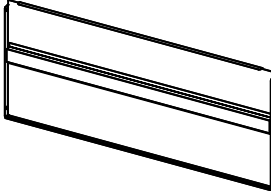
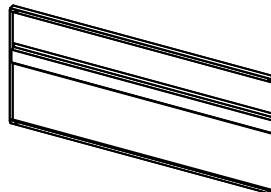
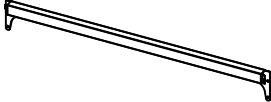


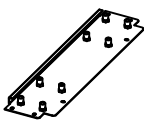


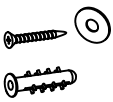



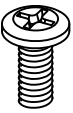

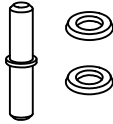




Installation & Assembly

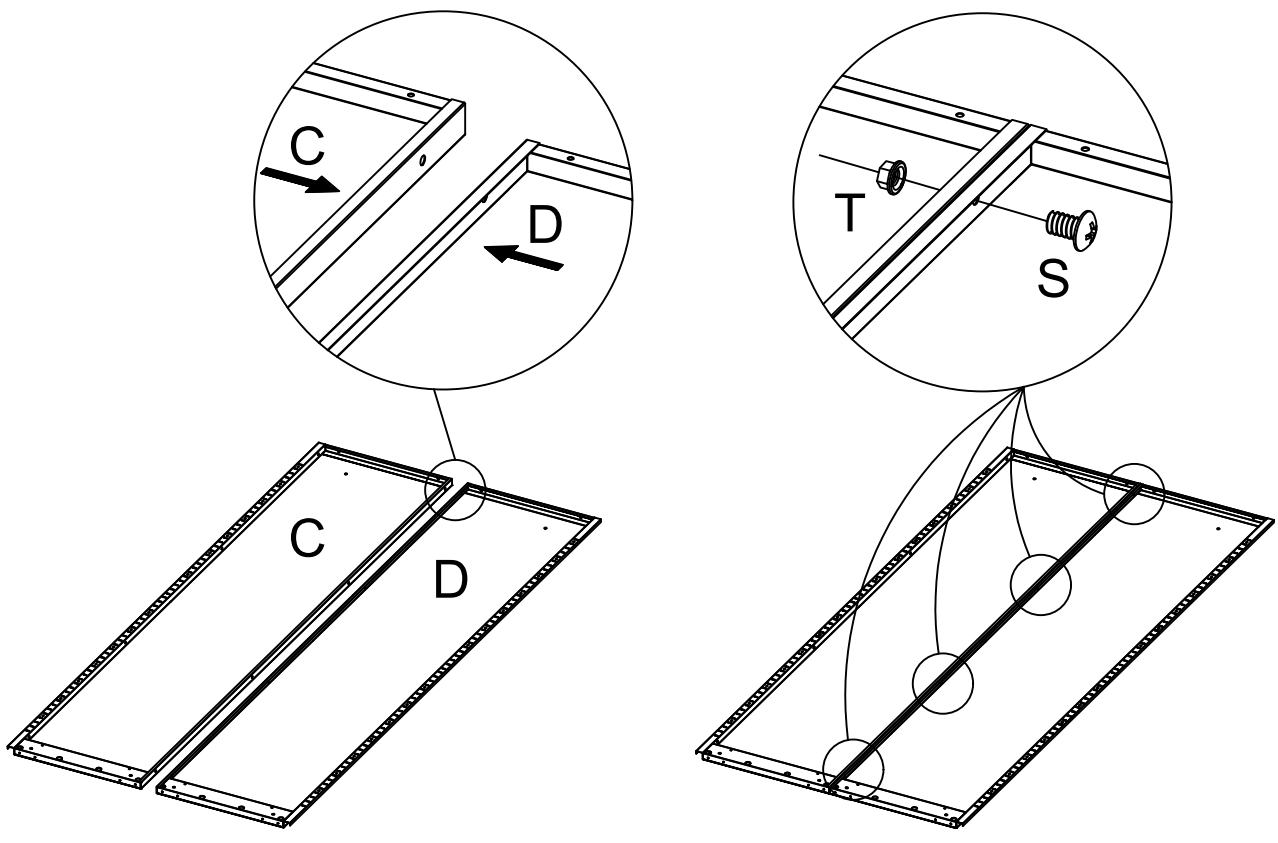




A×1 	B×1 	C×1 	D×1 					
E×1 	F×1 	G×1 	H×1 					
		J×4 	K×1 					
L×1 	M×2 Standby Application 	N×2 	O×2 	P×2 				
Q×2 	R×41 	S×4 	T×4 	U×16 	V×16 	W×2 	X×4 	

Step 1

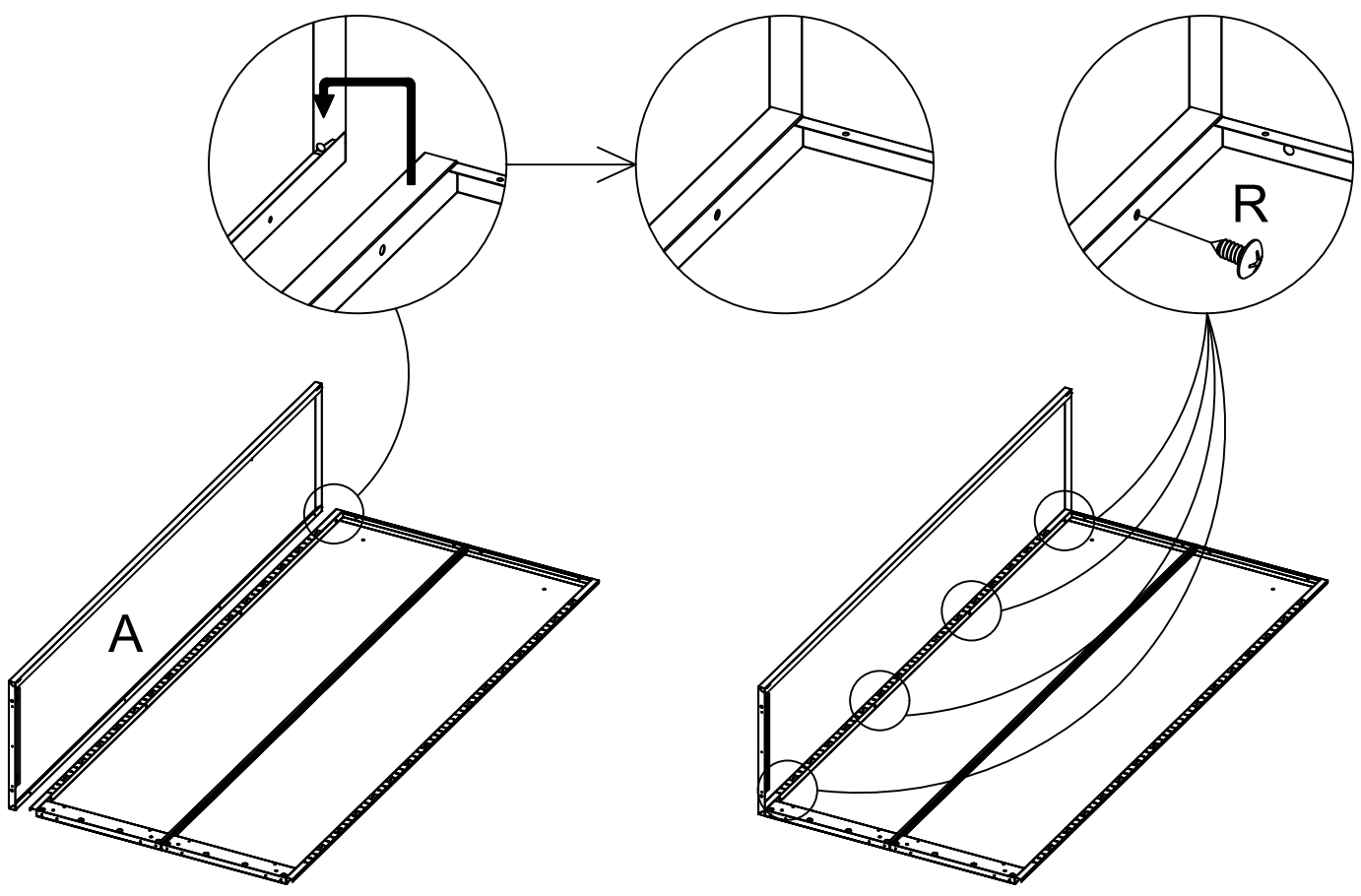
Put the two rear walls together and put four bolts and nuts to hold them in place.



 S×4  T×4

Step 2

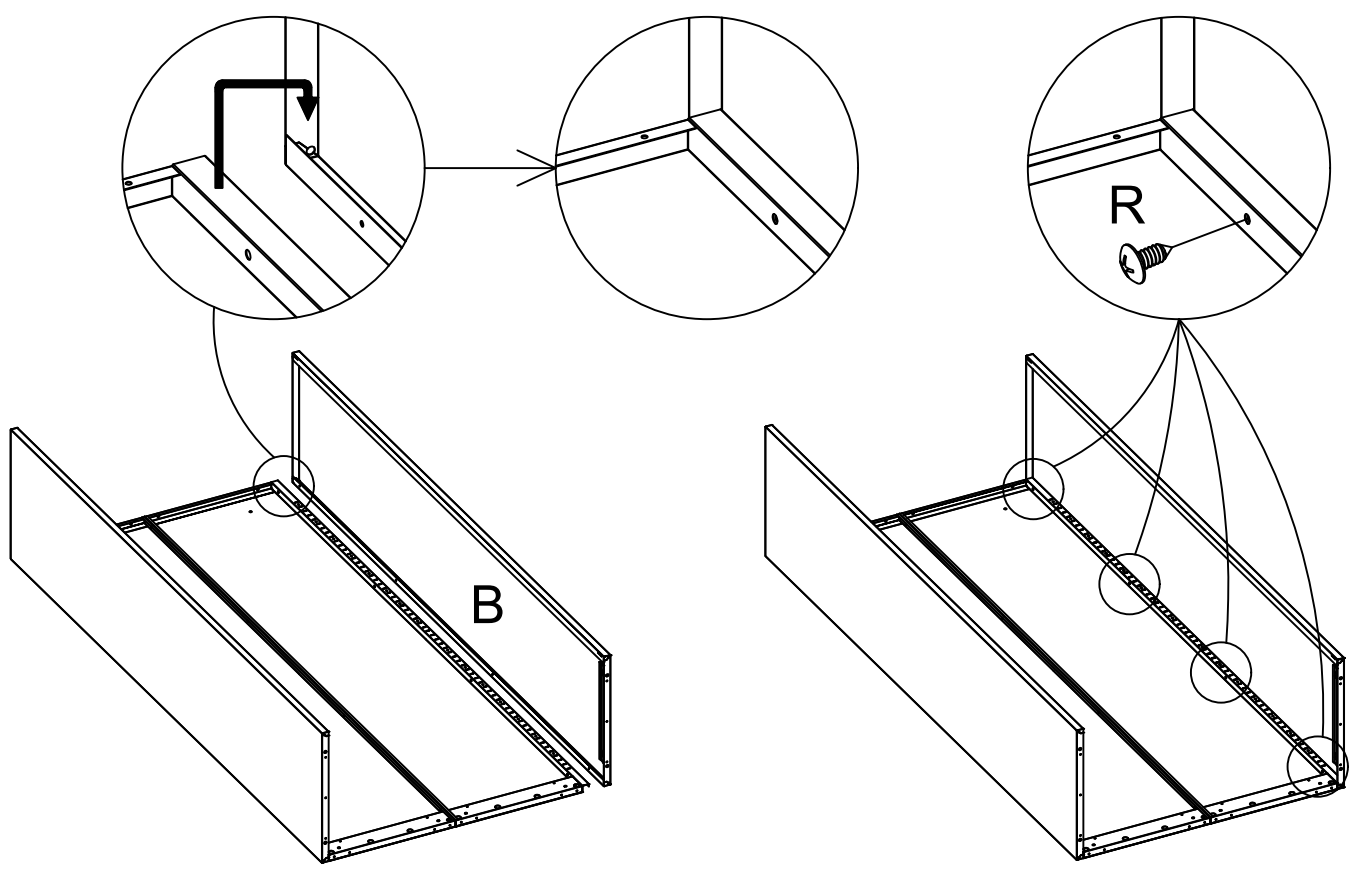
Simply overlap each sidewall in the channel of the rear wall and put four screws on each side to hold them in place.



 R×4

Step 3

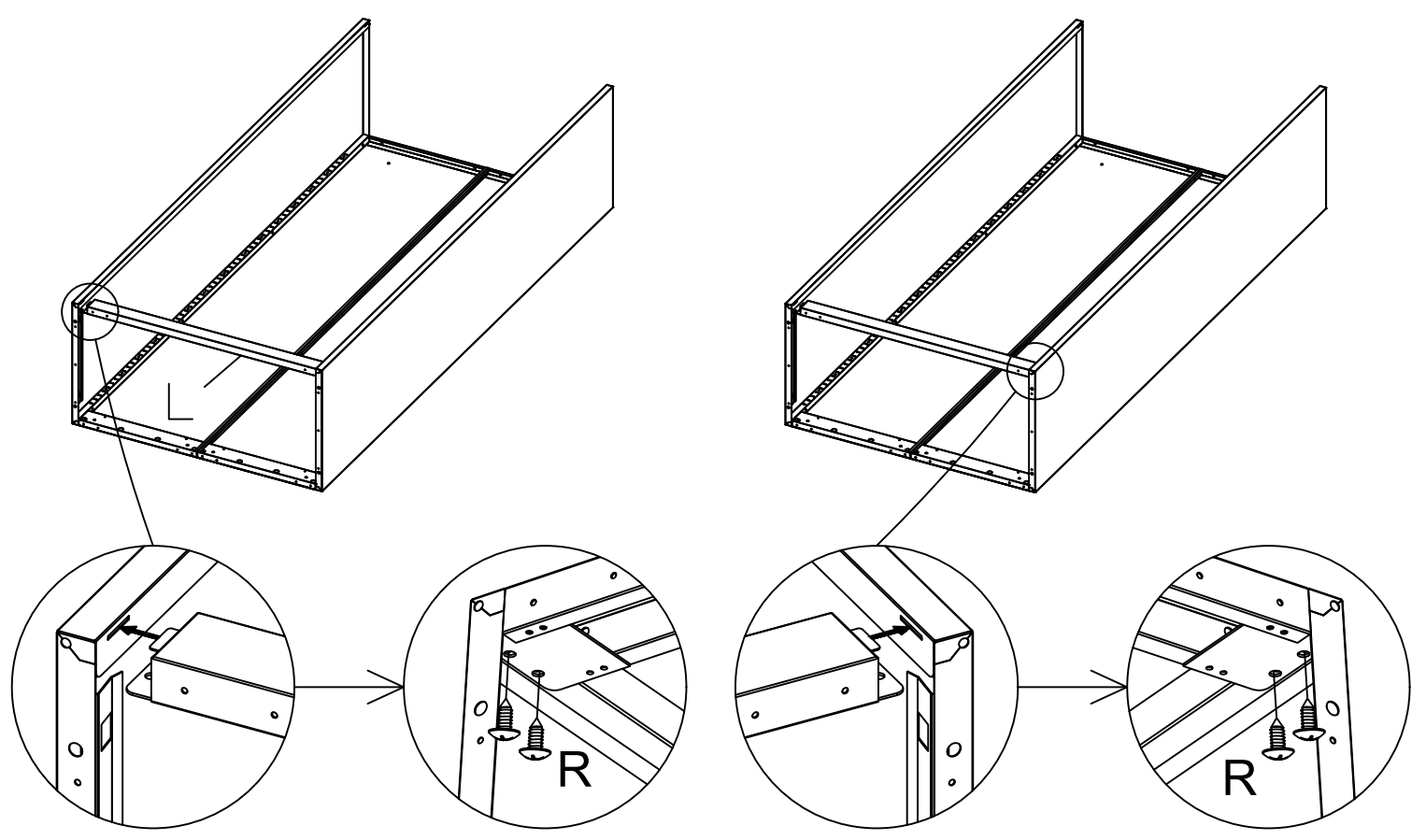
Simply overlap each sidewall in the channel of the rear wall and put four screws on each side to hold them in place.



 R×4

Step 4

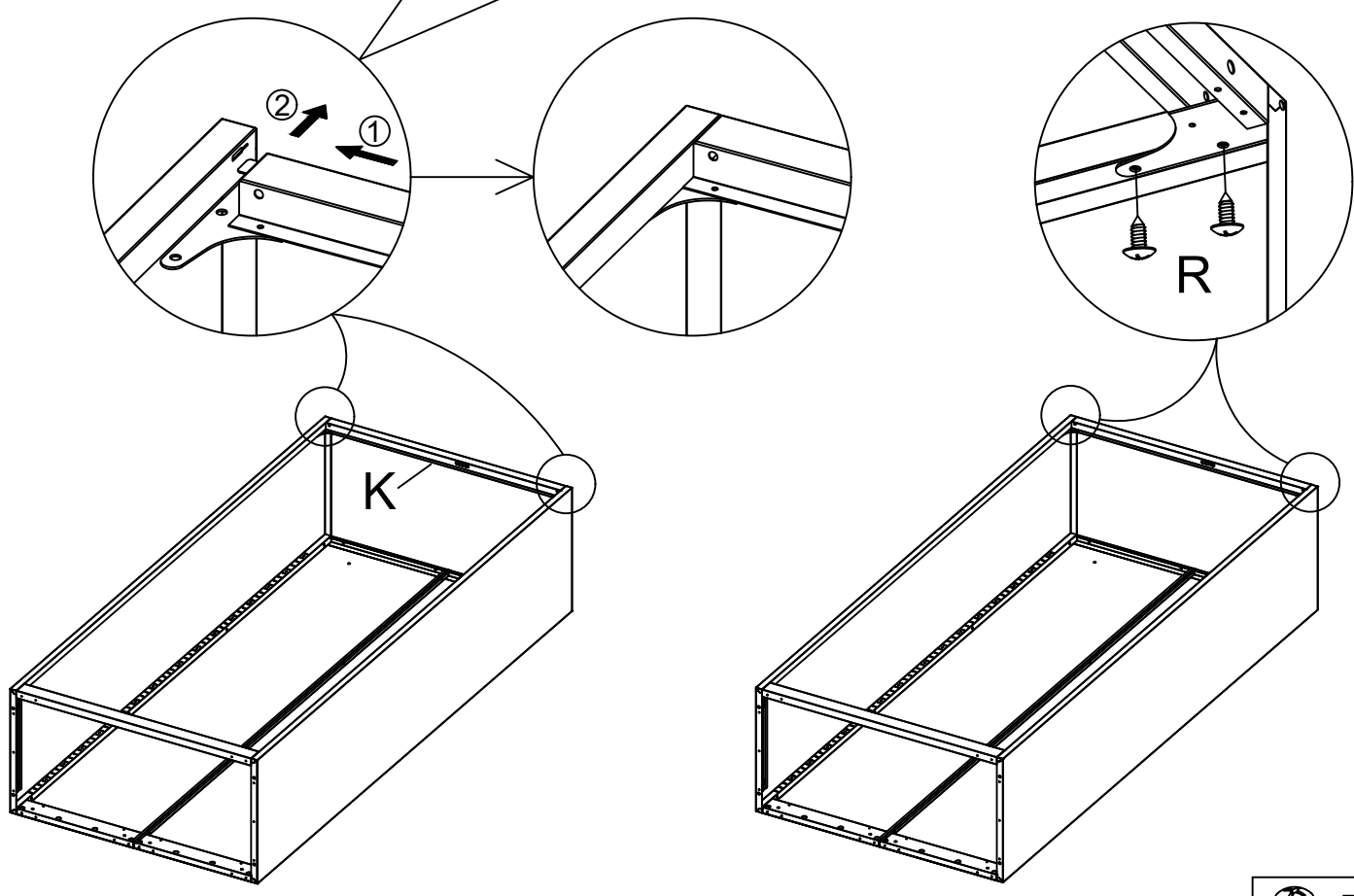
Snap the buckle on either side of Part L into the hole in both side panels and then put four screws R from inside to hold it into place.



 R×4

Step 5

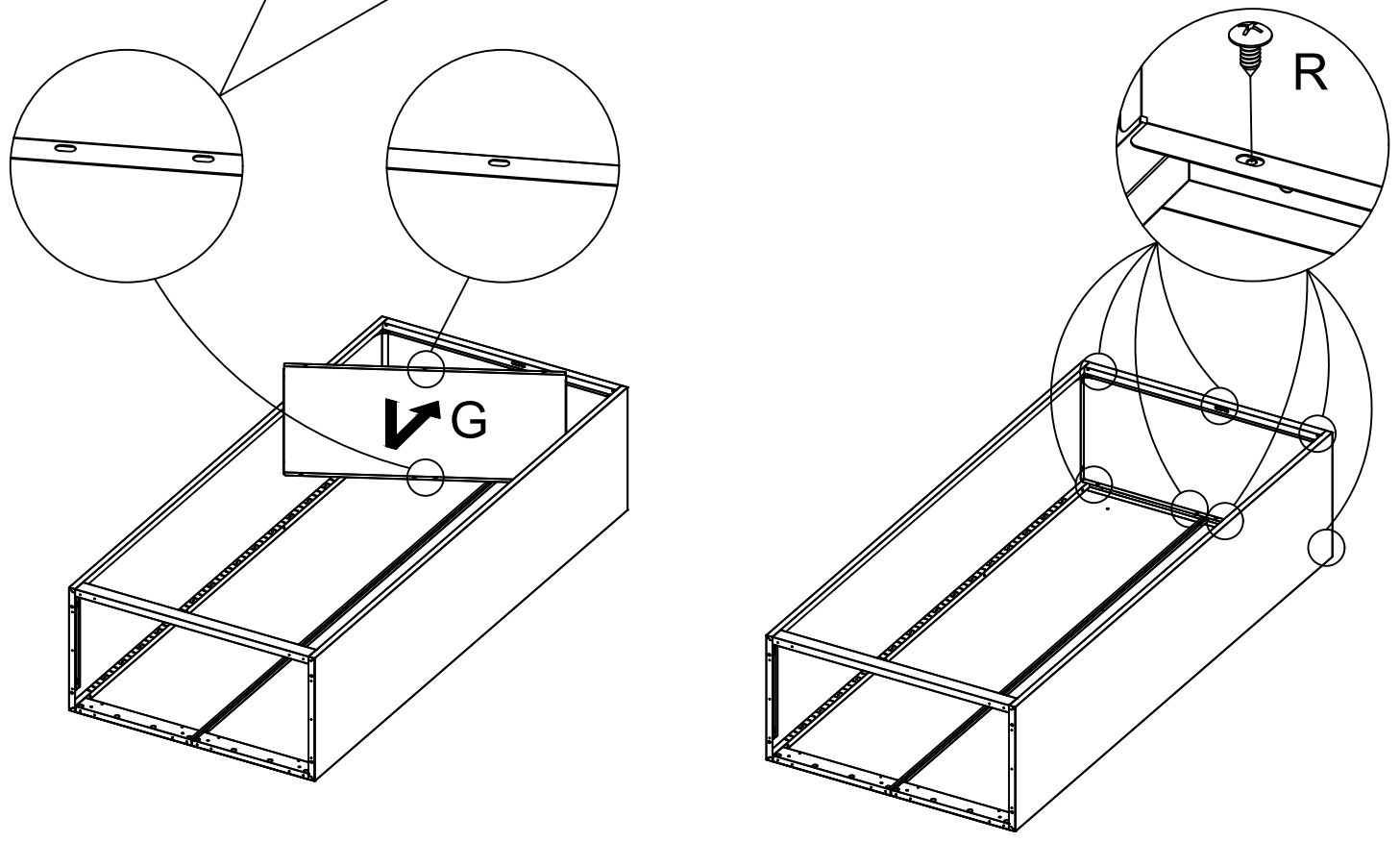
Snap the buckle on both sides of Part K into the hole in both side panels and push it up so that it snaps into the top of the cabinet.



 R×4

Step 6

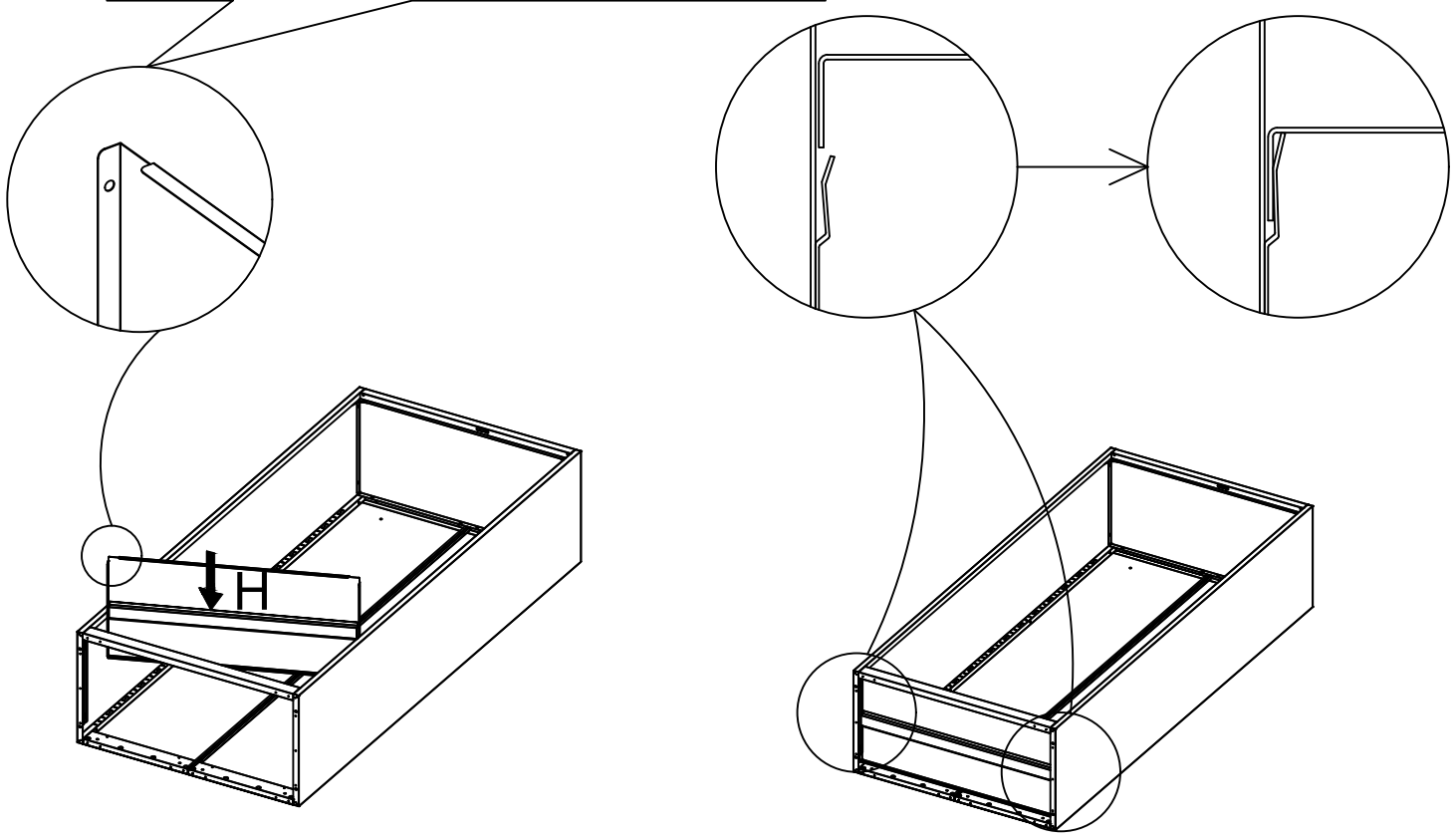
Part G has two holes facing backward on one side.



 R×7

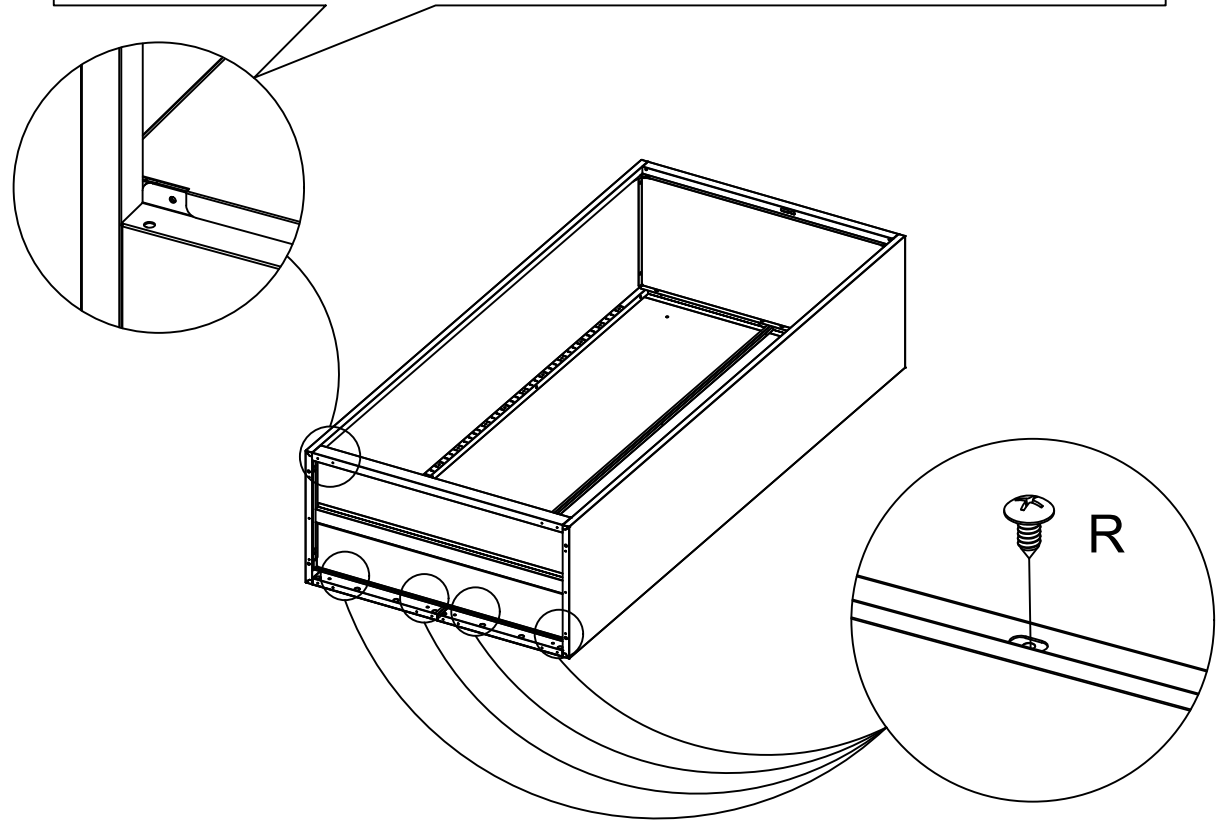
Step 7

When placing Part H, place the notched side facing forward.



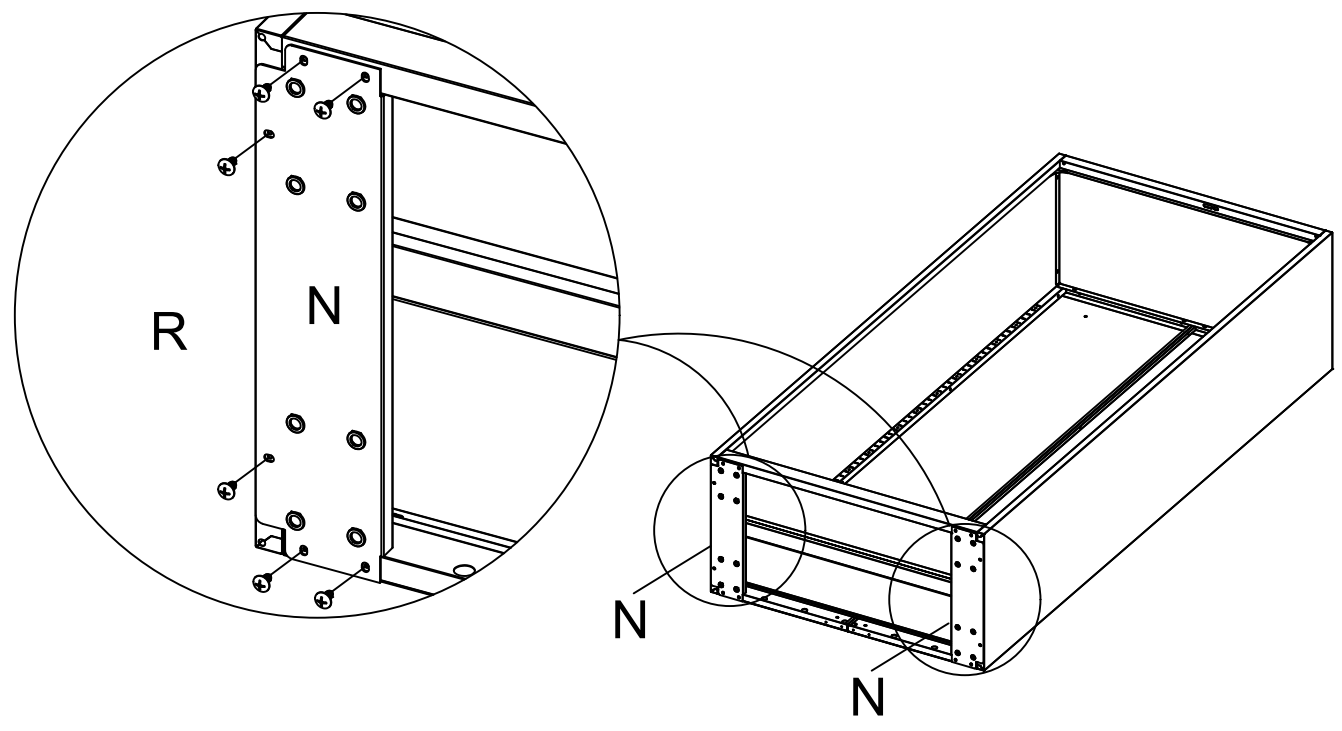
Step 8

After the parts H is installed, please check the position details as shown in the enlargement. The holes here do not require screws.



Step9

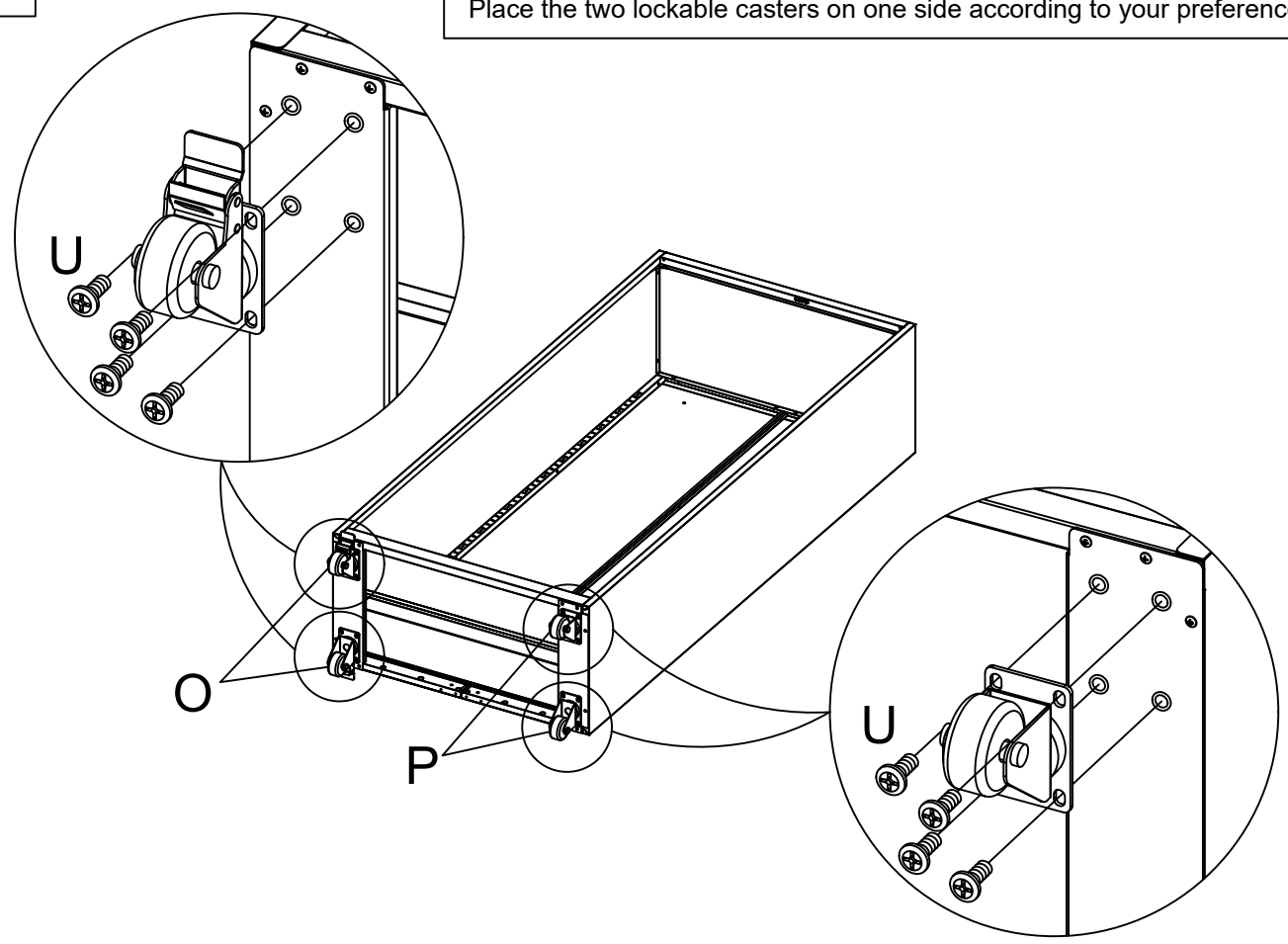
Put two Parts N in the bottom of the cabinet and then put in fourteen screws to hold them in place.



 R×14

Step10

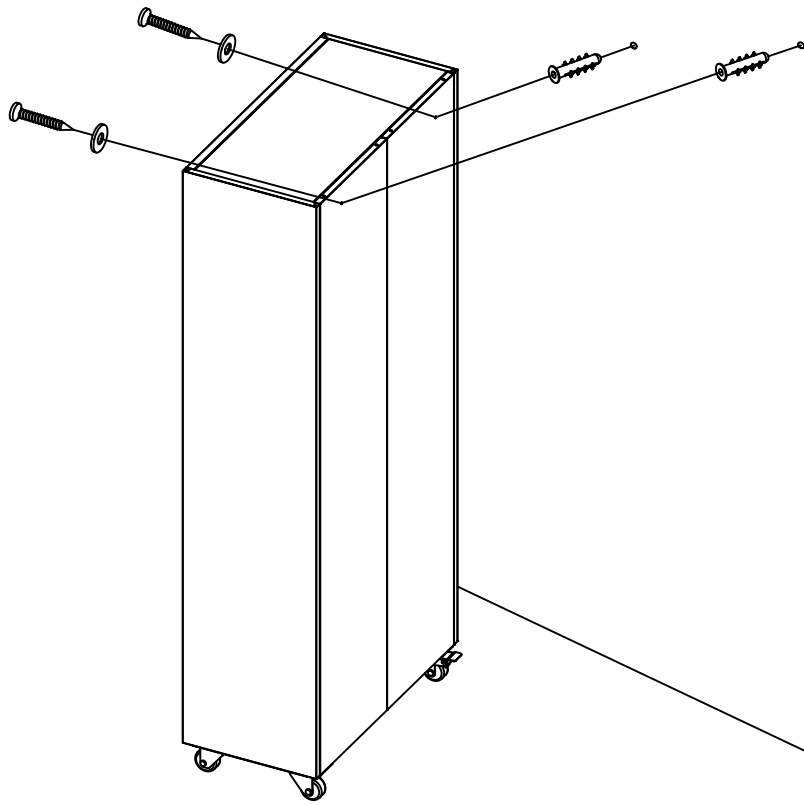
Place the two lockable casters on one side according to your preference.



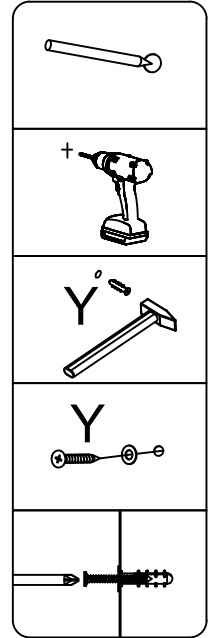
 U×16

Step 11

The cabinet can be fixed to the wall as needed.



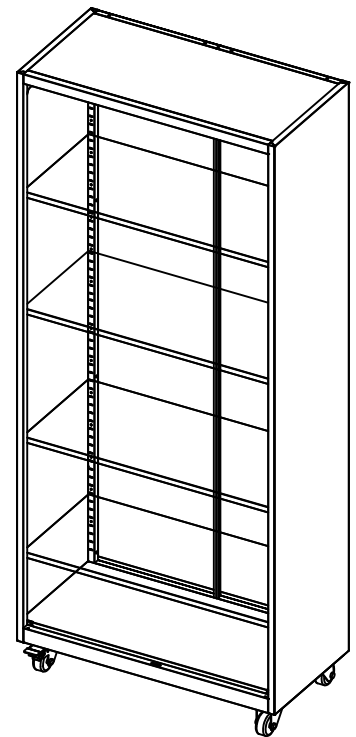
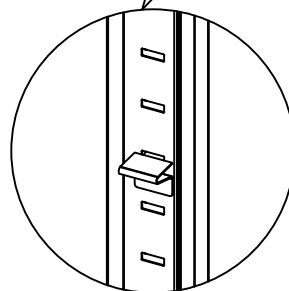
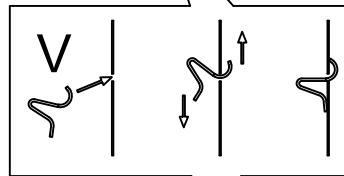
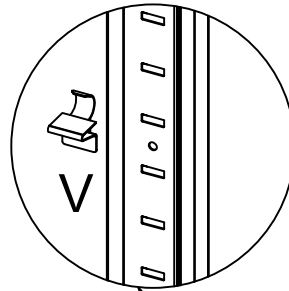
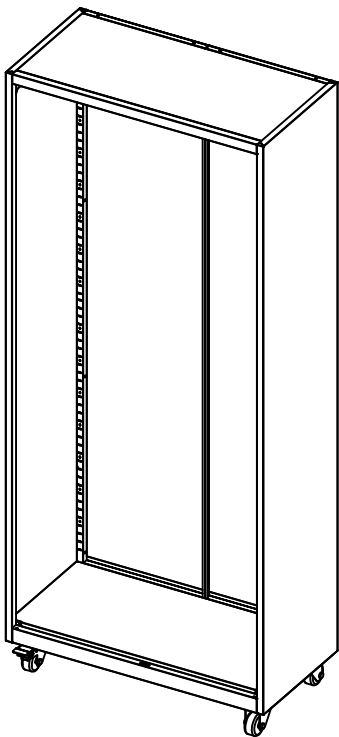
Wall



Q×2

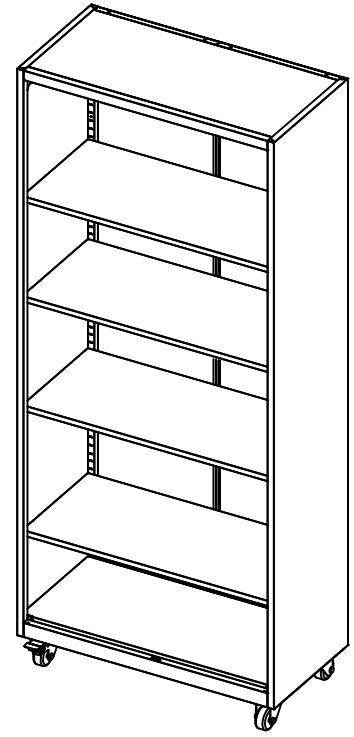
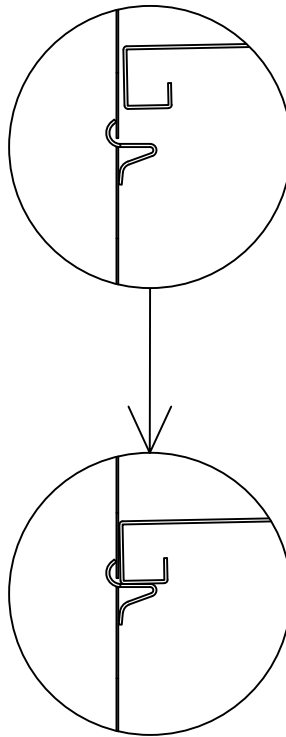
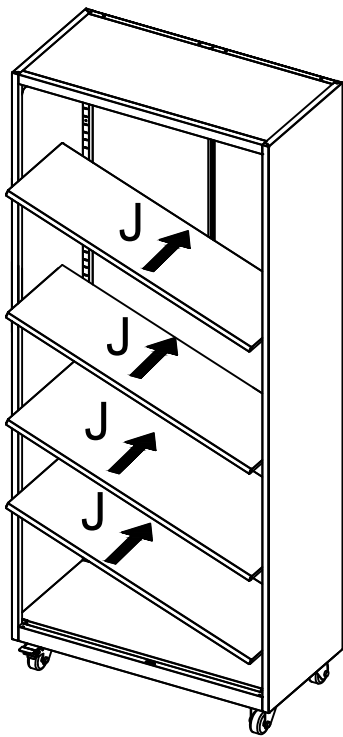
Step 12

Put the five sets of support clips V (four per set) on the four corners of the cabinet, taking care to place them on the same level.




V×16

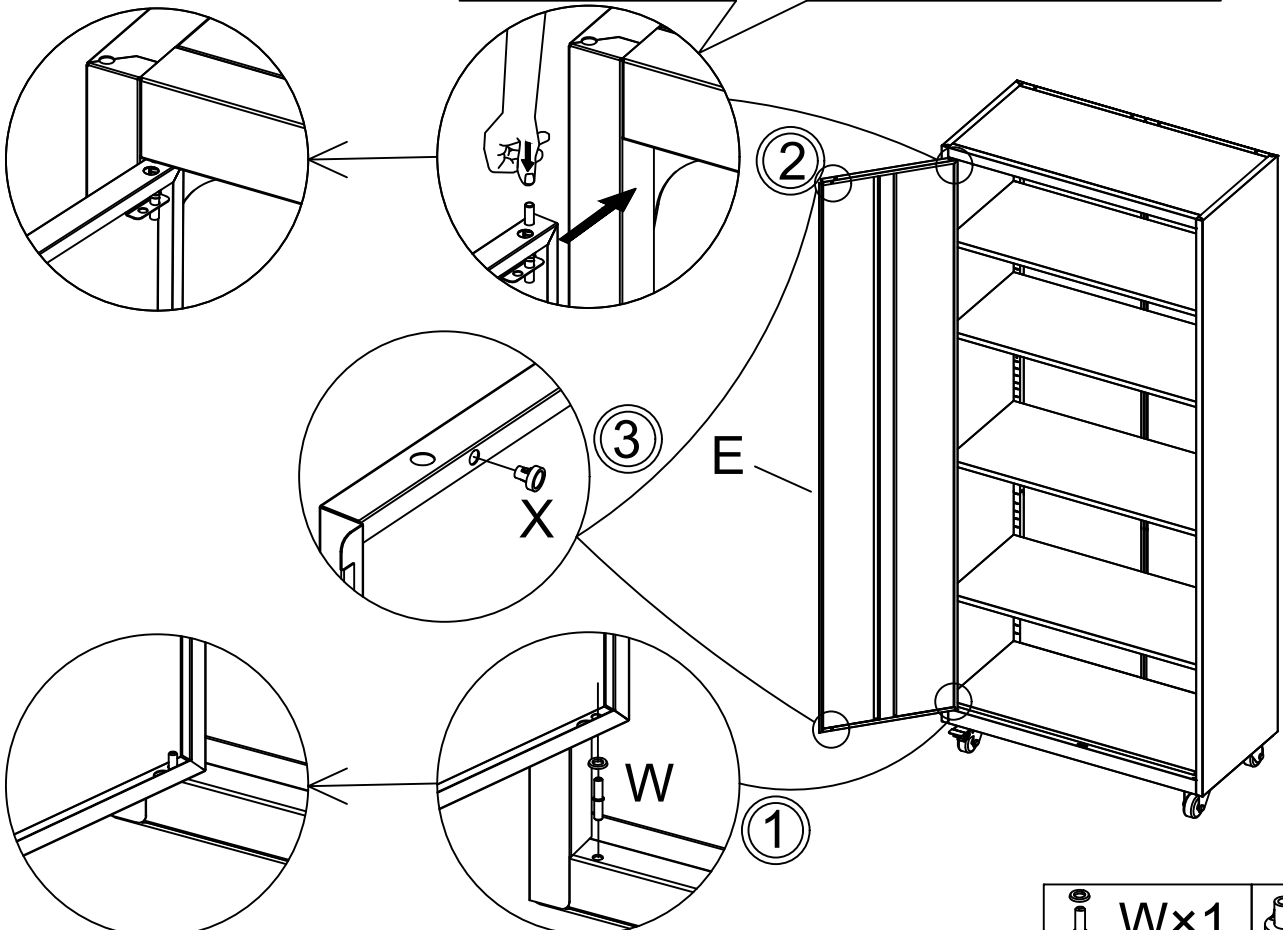
Step 13





Step 14


Install the door by first installing the door pin W, then by pressing the spring shafts on the top of the door.

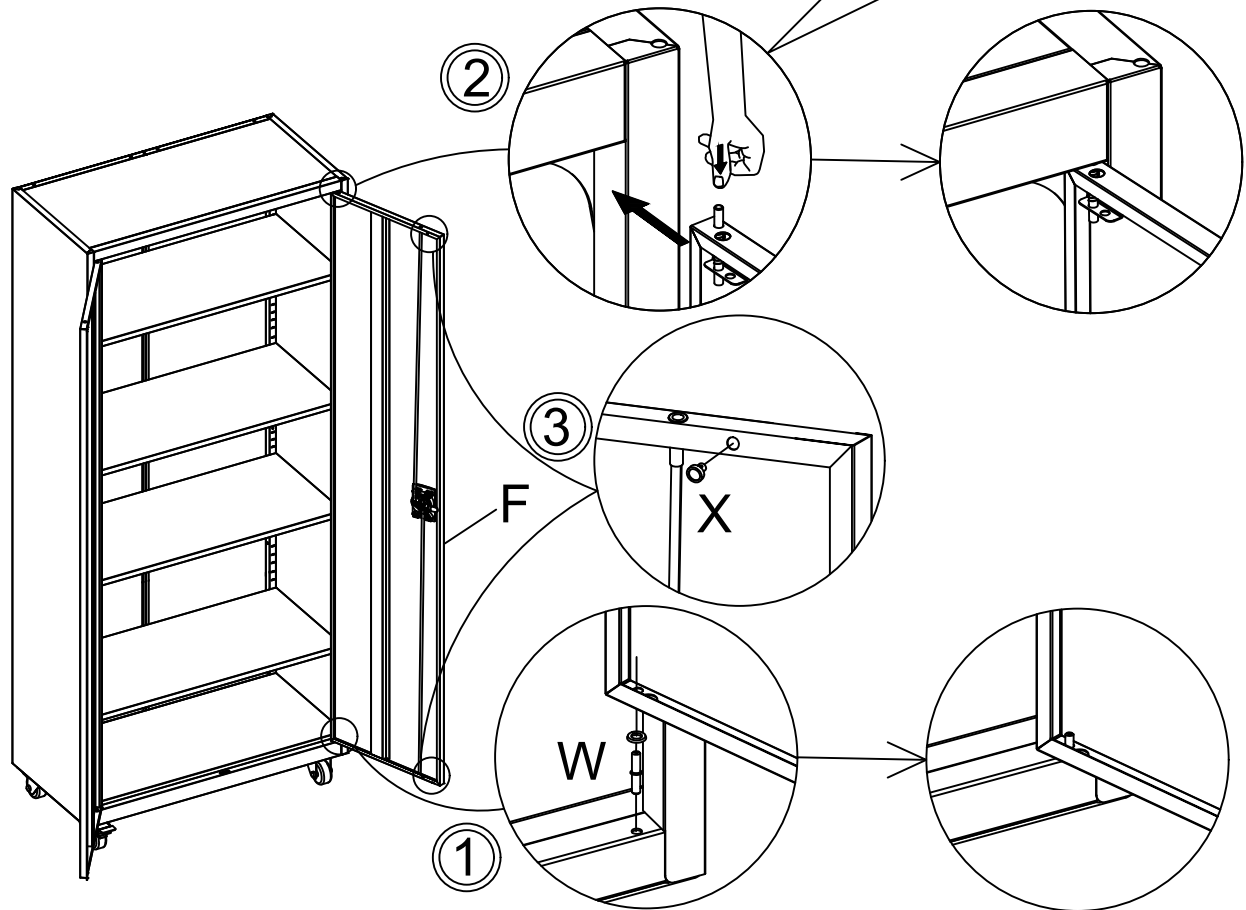
If the spring screw is missing from the door, you can find the screw Z in the hardware package to install it. 





-  W×1
-  X×2

Step 15

If the spring screw is missing from the door, you can find the screw Z in the hardware package to install it. 



-  W×1
-  X×2

