

# ASSEMBLY INSTRUCTIONS

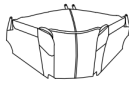


## KAMARI COLLECTION

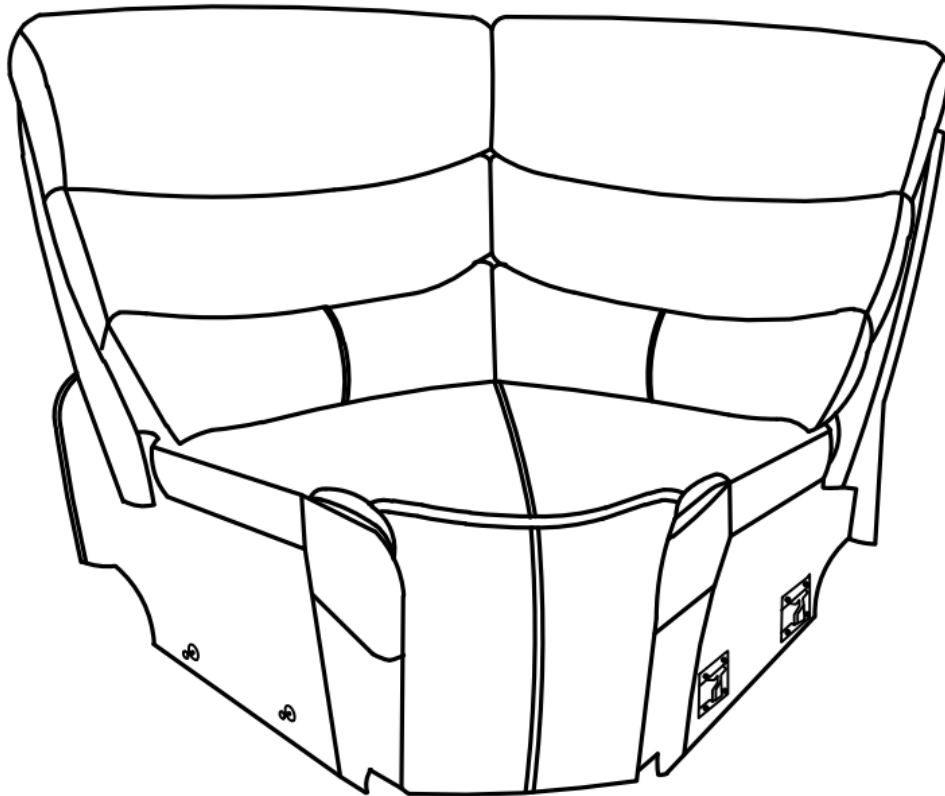
ITEM#: U092-WG

DESCRIPTION : WEDGE

Thank you for purchasing this quality product. Be sure to check all packing materials carefully for small parts, which may have come loose during shipment. Identify and count all items and compare with the parts list shown below. It is recommended to have two people during assembling and to remove the back and base of the furniture out from the box. **Please follow the drawings below to assemble the item**

### Parts List

NO.	DESCRIPTION	SKETCH	Q'TY
A	Seat		1 PC
B	Left Side Facing (LSF) Backrest		1 PC
C	Right Side Facing (RSF) Backrest		1 PC



All images shown are for illustration purpose only.  
Actual product may vary due to product enhancement.

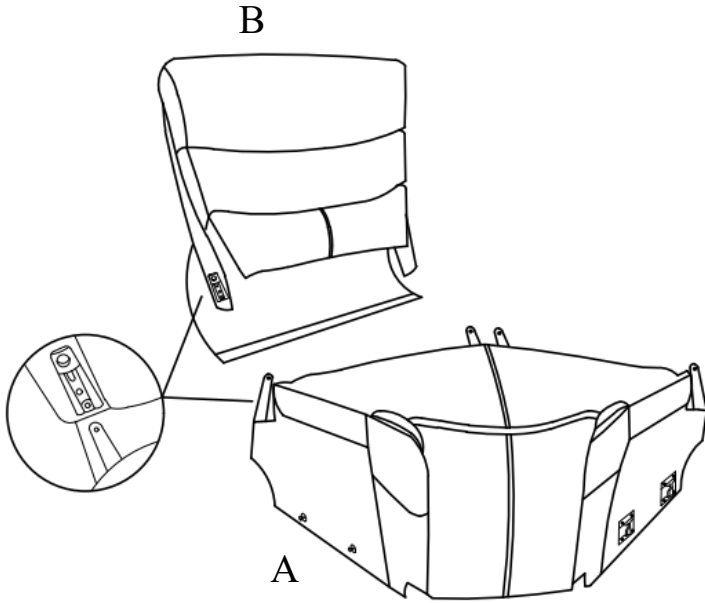
# ASSEMBLY INSTRUCTIONS

## KAMARI COLLECTION

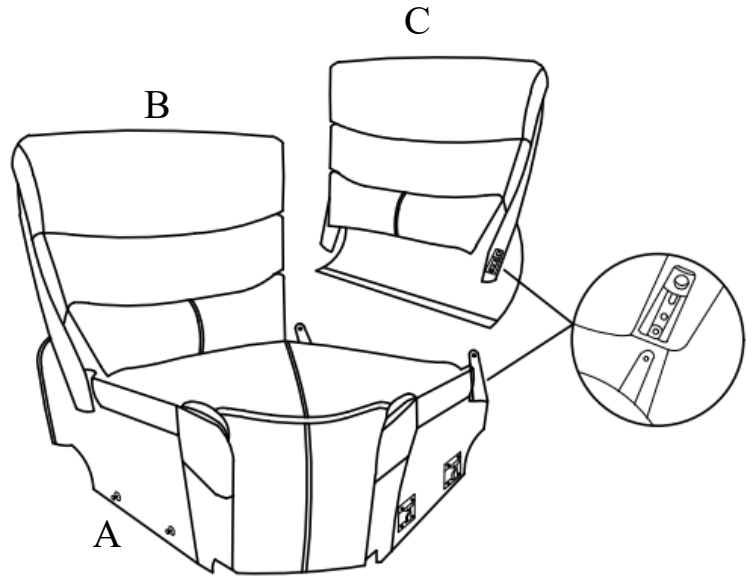
ITEM#: U092-WG

DESCRIPTION : WEDGE

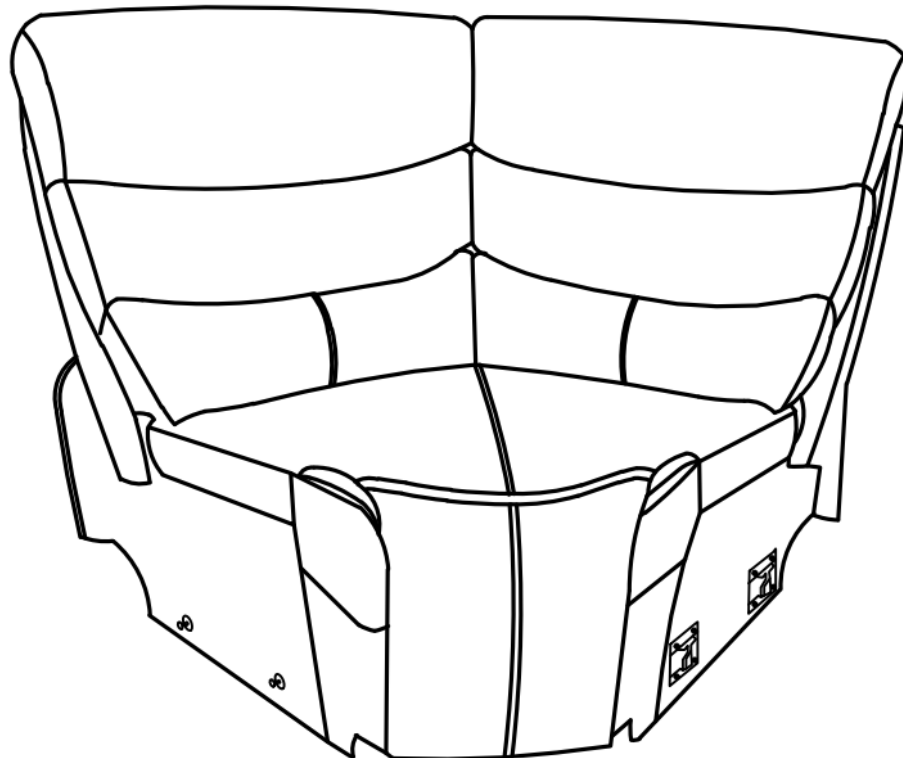
Step 1:  
Attach the LSF backrest (B) to the seat (A).



Step 2:  
Attach the RSF backrest (C) to the seat (A).



Step 3: Assembly Completed



All images shown are for illustration purpose only.  
Actual product may vary due to product enhancement.

# ASSEMBLY INSTRUCTIONS

## KAMARI COLLECTION

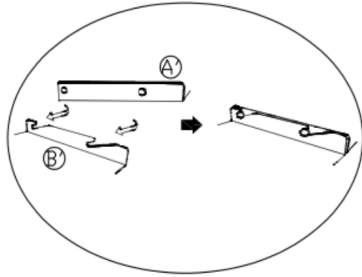
ITEM#: U092-WG

DESCRIPTION : WEDGE

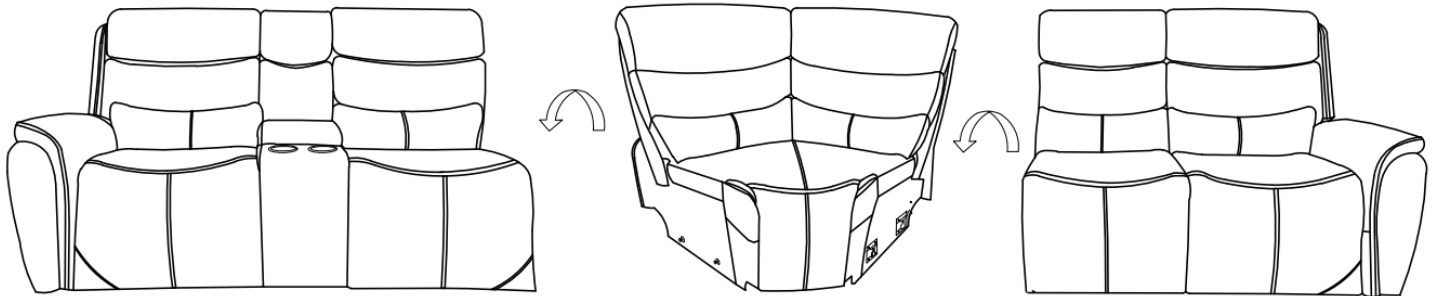
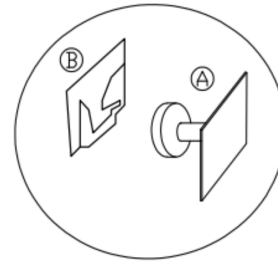
Connect the sectional pieces by connecting the metal connectors between each sectional piece. Please note there are 2 types of interlocking hardware:

1. Connect the rail pins style connector A to B
2. Connect the single pin style connector A to B

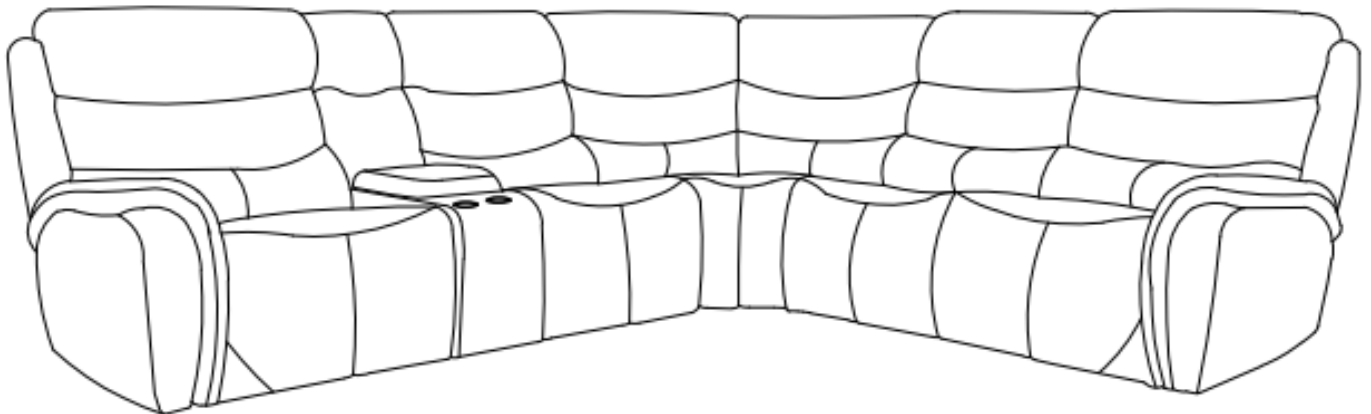
1



2



Sectional completed



All images shown are for illustration purpose only.  
Actual product may vary due to product enhancement.

# ASSEMBLY INSTRUCTIONS

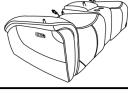



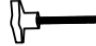


## KAMARI COLLECTION

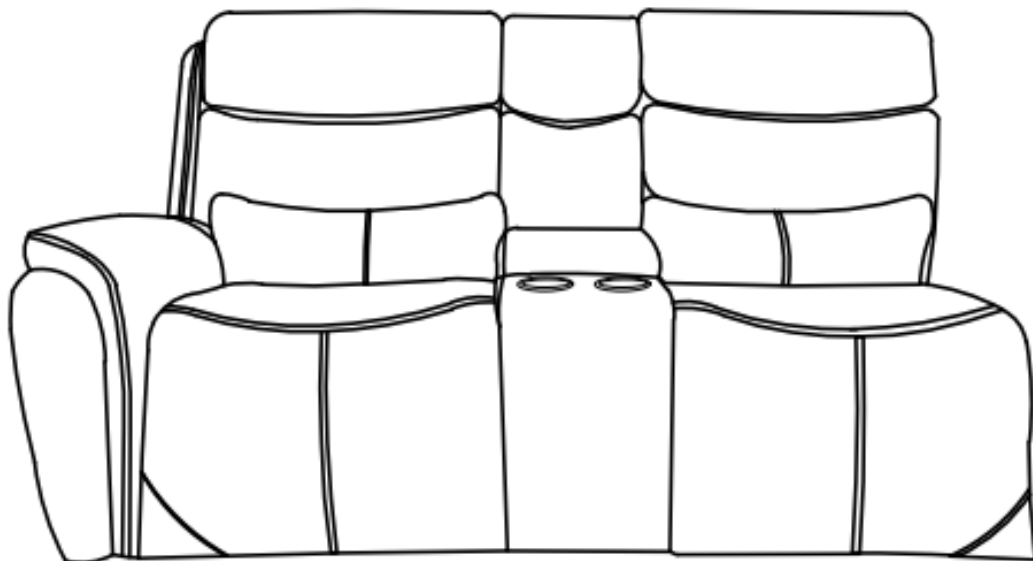
ITEM#: U092-25LP2

DESCRIPTION : KAMARI LAF CONSOLE LOVESEAT  
W/DUAL PWR HR & FR

Thank you for purchasing this quality product. Be sure to check all packing materials carefully for small parts, which may have come loose during shipment. Identify and count all items and compare with the parts list shown below. It is recommended to have two people during assembling and to remove the back and base of the furniture out from the box.

**Please follow the drawings below to assemble the item**

Parts List			
NO.	DESCRIPTION	SKETCH	Q'TY
A	Seat		1 PC
B	Left Side Facing (LSF) backrest		1 PC
C	Console backrest		1 PC
D	Right Side Facing (RSF) backrest		1 PC
E	Knob Screw		2 PCS
F	Transformer		1 PC
G	Left Side Facing (LSF) Wing		1 PC



All images shown are for illustration purpose only.  
Actual product may vary due to product enhancement.

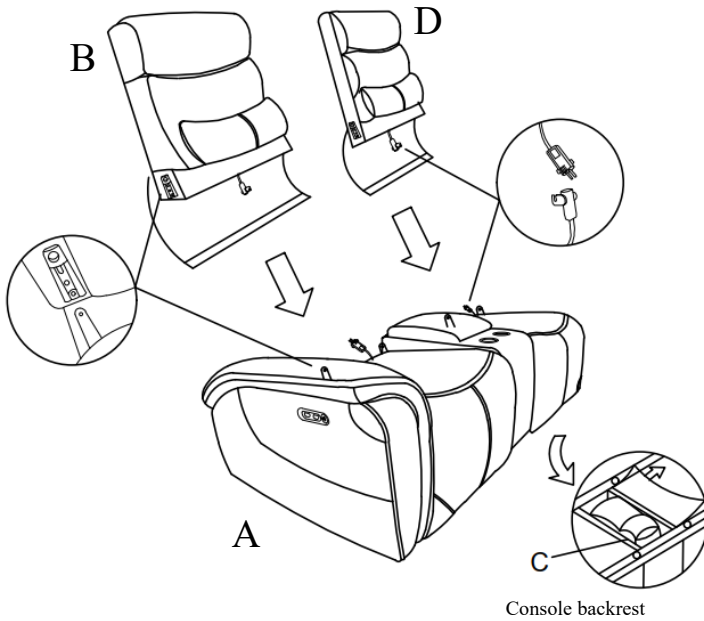
# ASSEMBLY INSTRUCTIONS

## KAMARI COLLECTION

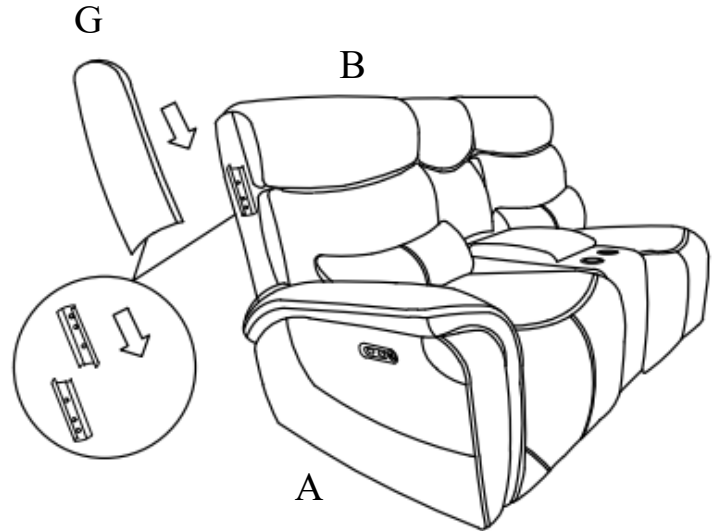
ITEM#: U092-25LP2

DESCRIPTION : KAMARI LAF CONSOLE LOVESEAT  
W/DUAL PWR HR & FR

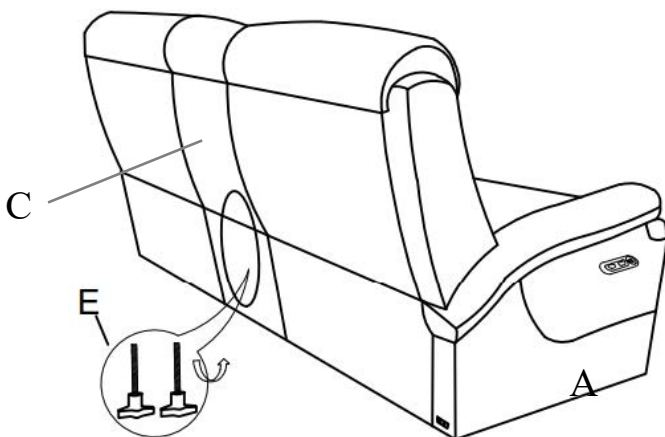
**Step 1:**  
Locate the Console Backrest (C) underneath the seat (A). Attach the LSF and RSF backrests (B & D) to the seat (A) and connect the wire between the LSF and RSF backrests (B & D) with the wire on the seat (A).



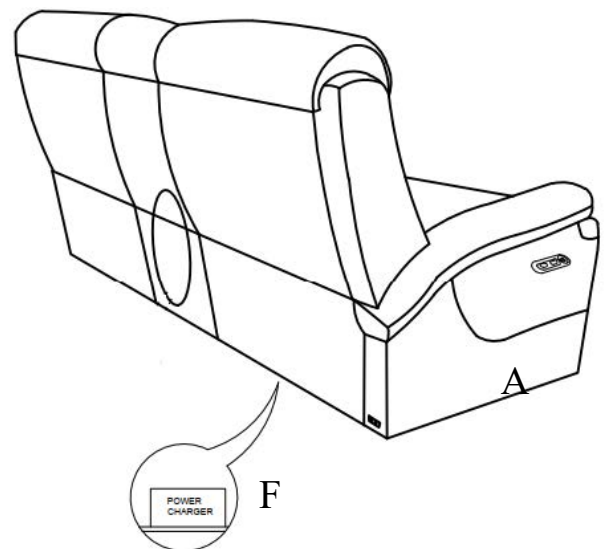
**Step 2:**  
Attach the LSF Wing (G) to LSF Backrest(B).



**Step 3:**  
Place the console Backrest (C) in the correct position and then attach to the seat (A) by turning the knob screws (E) counterclockwise.



**Step 4:**  
Locate the transformer (F) at the bottom of the Seat (A).



All images shown are for illustration purpose only.  
Actual product may vary due to product enhancement.

# ASSEMBLY INSTRUCTIONS

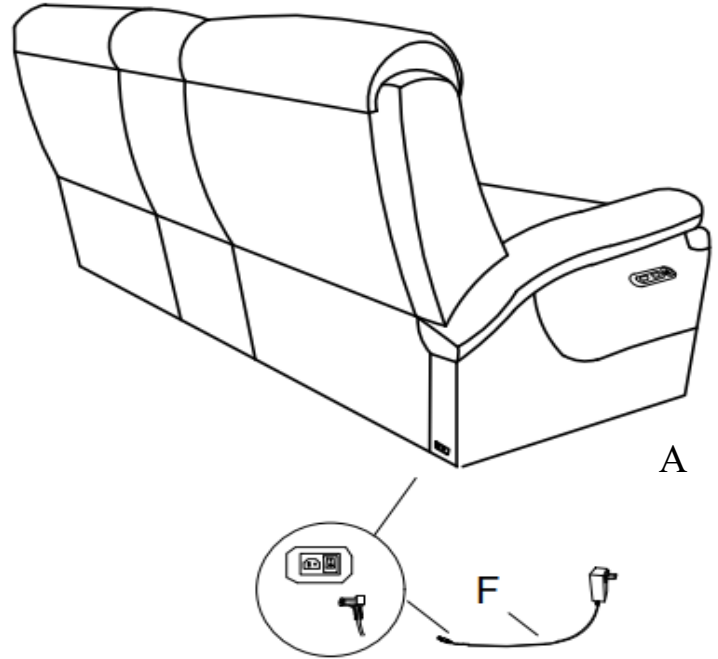
## KAMARI COLLECTION

ITEM#: U092-25LP2

DESCRIPTION : KAMARI LAF CONSOLE LOVESEAT  
W/DUAL PWR HR & FR

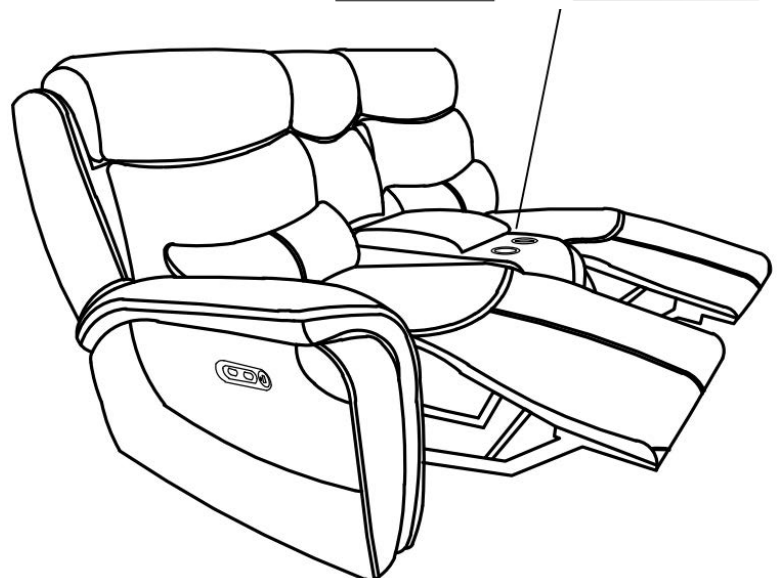
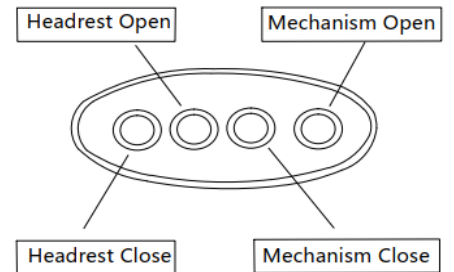
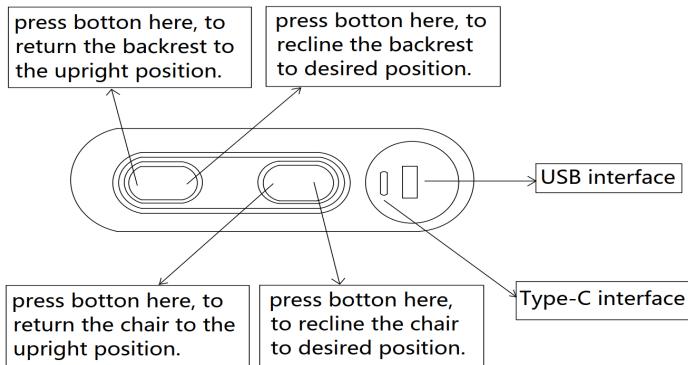
### Step 5:

Connect the transformer (F) to the power socket on seat (A).



### Step 6:

Open the footrest or move the headrest by pressing the power button.



All images shown are for illustration purpose only.  
Actual product may vary due to product enhancement.

# ASSEMBLY INSTRUCTIONS

## KAMARI COLLECTION

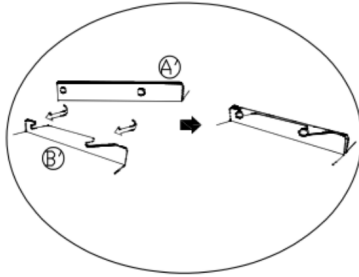
ITEM#: U092-25LP2

DESCRIPTION : KAMARI LAF CONSOLE LOVESEAT  
W/DUAL PWR HR & FR

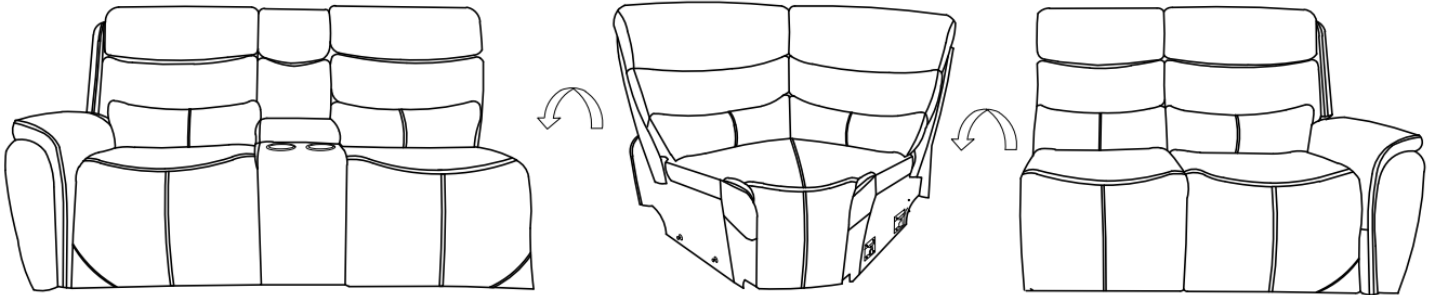
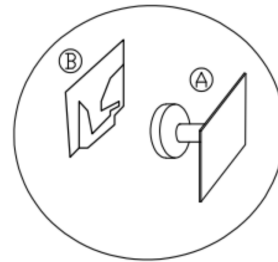
Connect the sectional pieces by connecting the metal connectors between each sectional piece.  
Please note there are 2 types of interlocking hardware:

1. Connect the rail pins style connector A to B
2. Connect the single pin style connector A to B

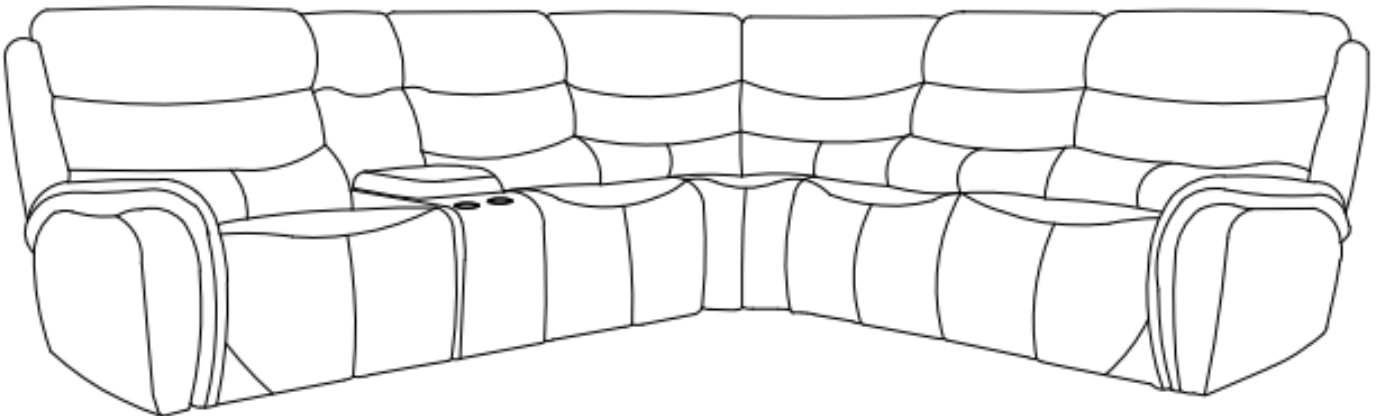
1



2



Sectional completed



All images shown are for illustration purpose only.  
Actual product may vary due to product enhancement.






# ASSEMBLY INSTRUCTIONS

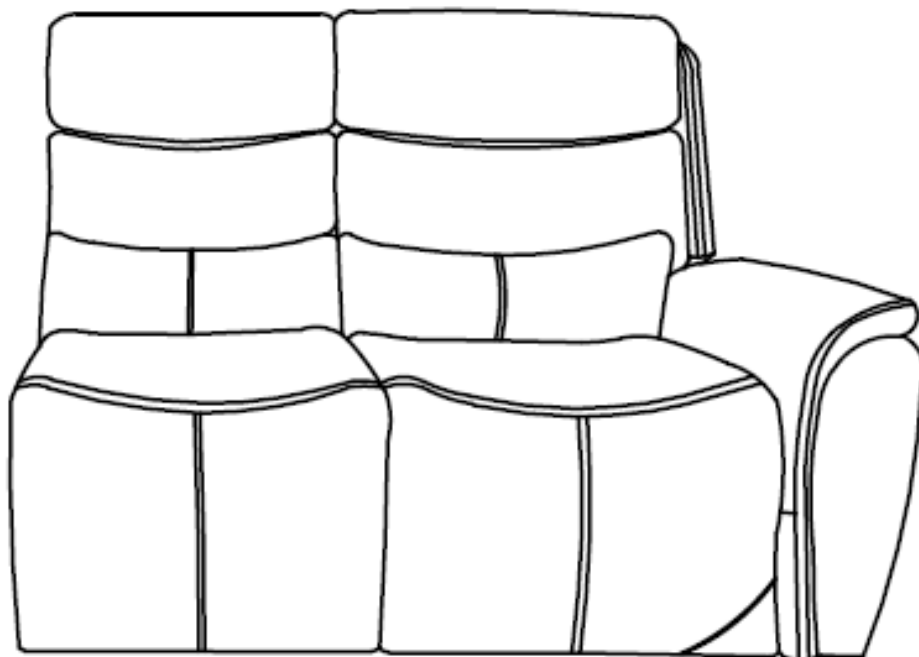
## KAMARI COLLECTION

ITEM#: U092-20RP2

DESCRIPTION : KAMARI RAF LOVESEAT  
W/ONE PWR HR & FR

Thank you for purchasing this quality product. Be sure to check all packing materials carefully for small parts, which may have come loose during shipment. Identify and count all items and compare with the parts list shown below. It is recommended to have two people during assembling and to remove the back and base of the furniture out from the box. **Please follow the drawings below to assemble the item**

Parts List			
NO.	DESCRIPTION	SKETCH	Q'TY
A	Seat		1 PC
B	Left Side Facing (LSF) backrest		1 PC
C	Right Side Facing (RSF) backrest		1 PC
D	Right Side Facing (RSF) Wing		1 PC
E	Transformer		1 PC



All images shown are for illustration purpose only.  
Actual product may vary due to product enhancement.

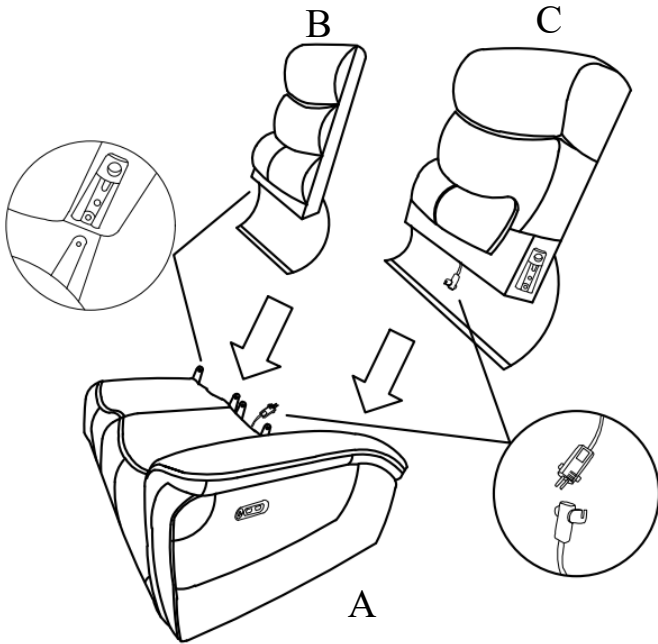
# ASSEMBLY INSTRUCTIONS

## KAMARI COLLECTION

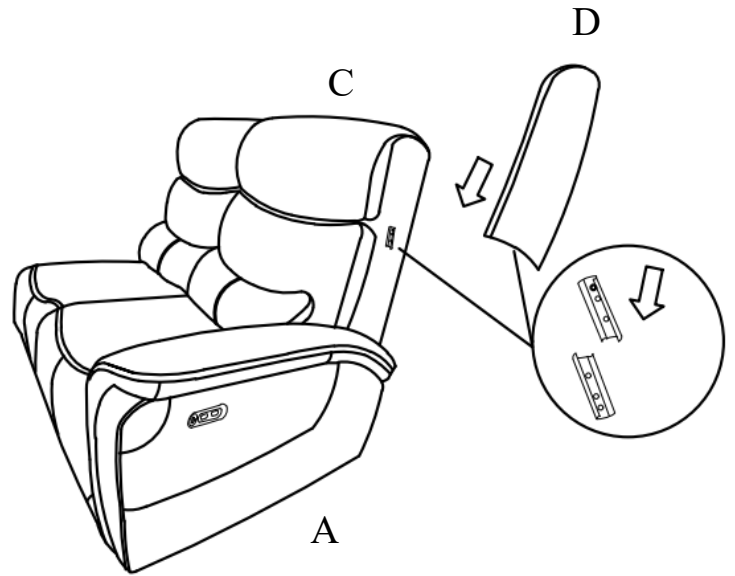
ITEM#: U092-20RP2

DESCRIPTION : KAMARI RAF LOVESEAT  
W/ONE PWR HR & FR

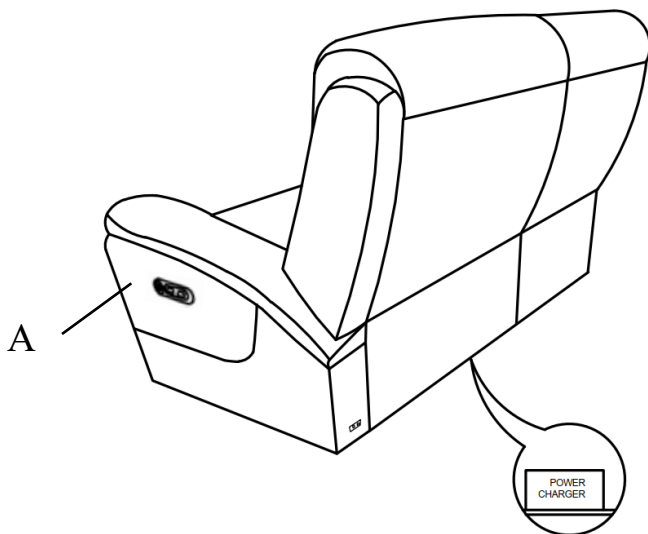
**Step 1:**  
Attach the LSF and RSF backrests (B & C) to the seat (A) and connect the wire between the RSF backrests (C) with the wire on the seat (A).



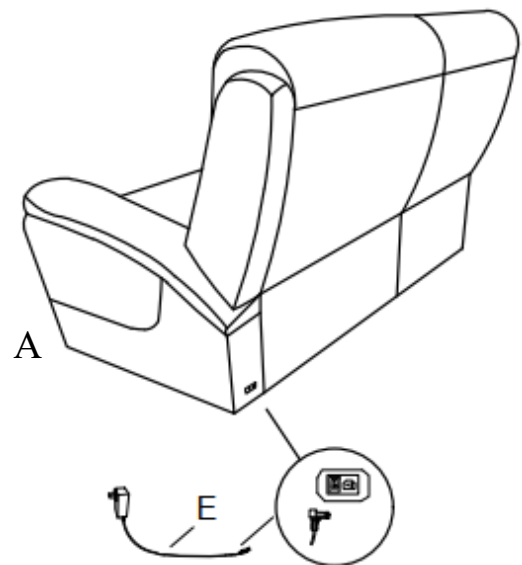
**Step 2:**  
Attach the RSF Wing (D) to RSF Backrest (C).



**Step 3:**  
Locate the transformer (E) at the bottom of the Seat (A).



**Step 4:**  
Connect the transformer (E) to the power socket on Seat (A).



All images shown are for illustration purpose only.  
Actual product may vary due to product enhancement.

# ASSEMBLY INSTRUCTIONS

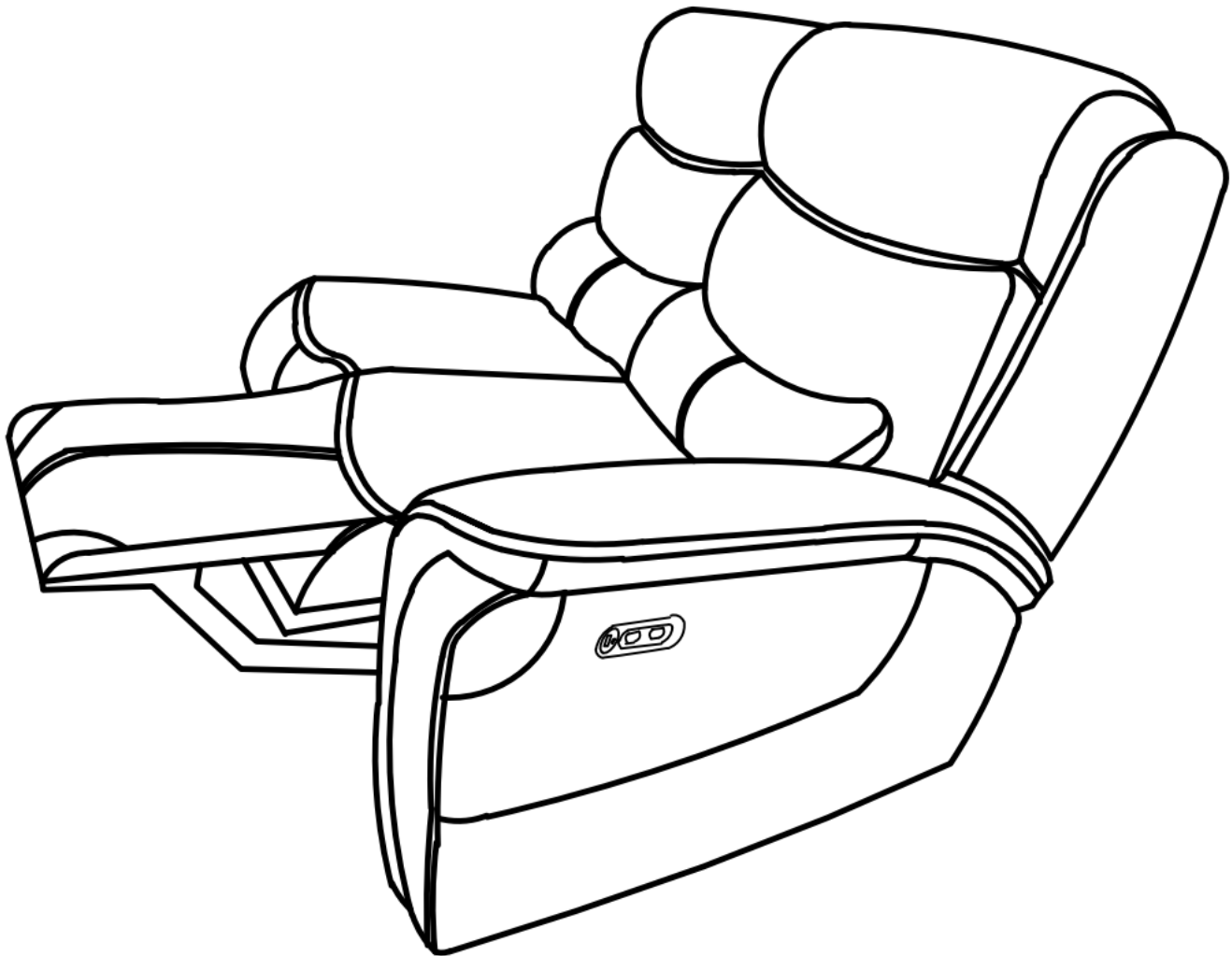
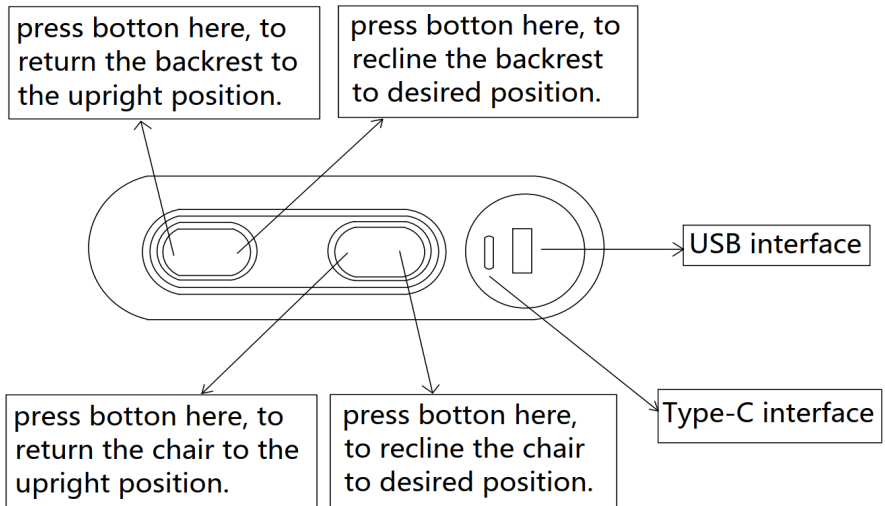
## KAMARI COLLECTION

ITEM#: U092-20RP2

DESCRIPTION : KAMARI RAF LOVESEAT  
W/ONE PWR HR & FR

Step 4:

Open the footrest or move the headrest by pressing the power button.



All images shown are for illustration purpose only.  
Actual product may vary due to product enhancement.

# ASSEMBLY INSTRUCTIONS

## KAMARI COLLECTION

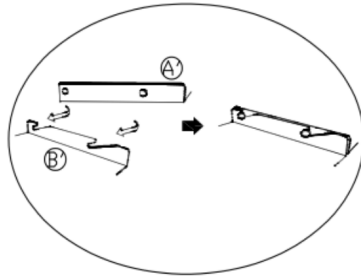
ITEM#: U092-20RP2

DESCRIPTION : KAMARI RAF LOVESEAT  
W/ONE PWR HR & FR

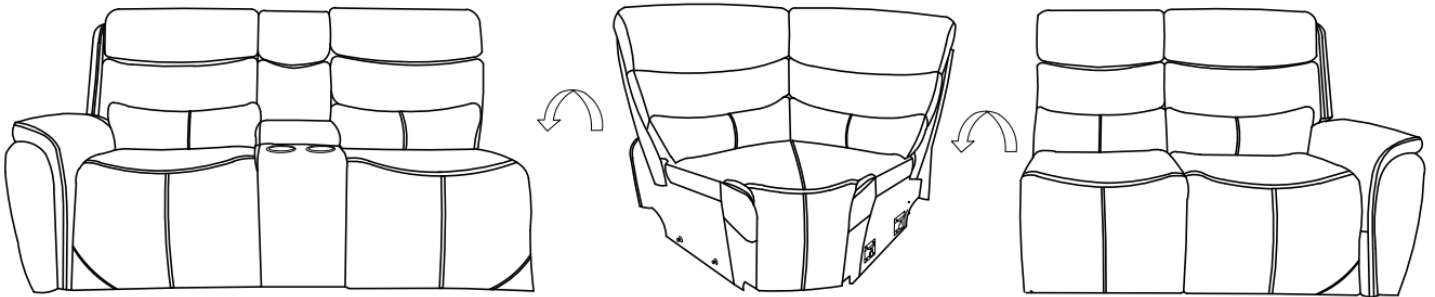
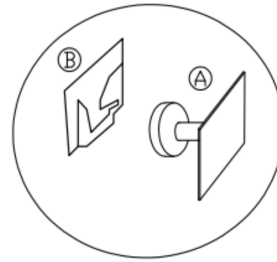
Connect the sectional pieces by connecting the metal connectors between each sectional piece.  
Please note there are 2 types of interlocking hardware:

1. Connect the rail pins style connector A to B
2. Connect the single pin style connector A to B

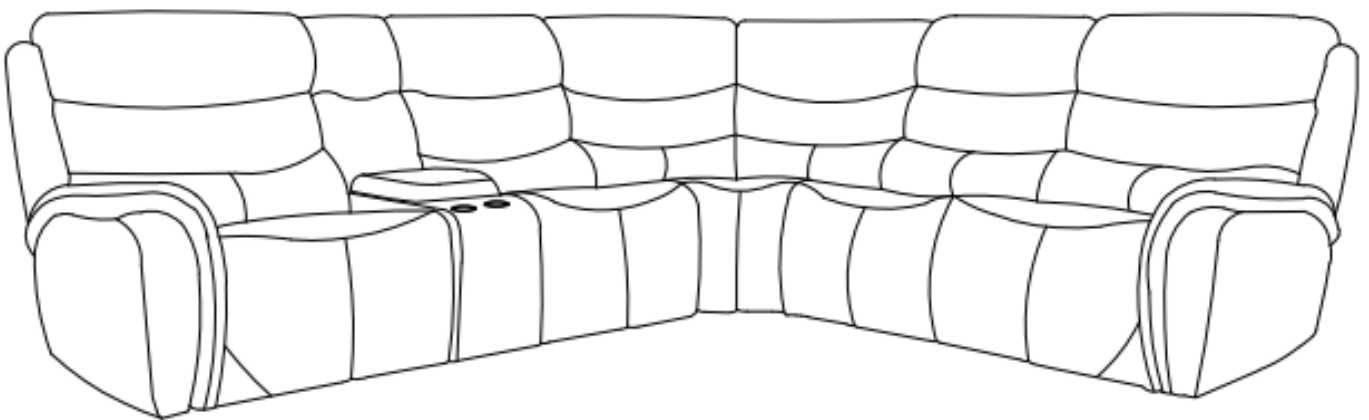
1



2



Sectional completed



All images shown are for illustration purpose only.  
Actual product may vary due to product enhancement.