

# ASSEMBLY INSTRUCTION

## SHORES SERVER/TVSTAND

### IMPORTANT SAFETY CONSTRUCTION

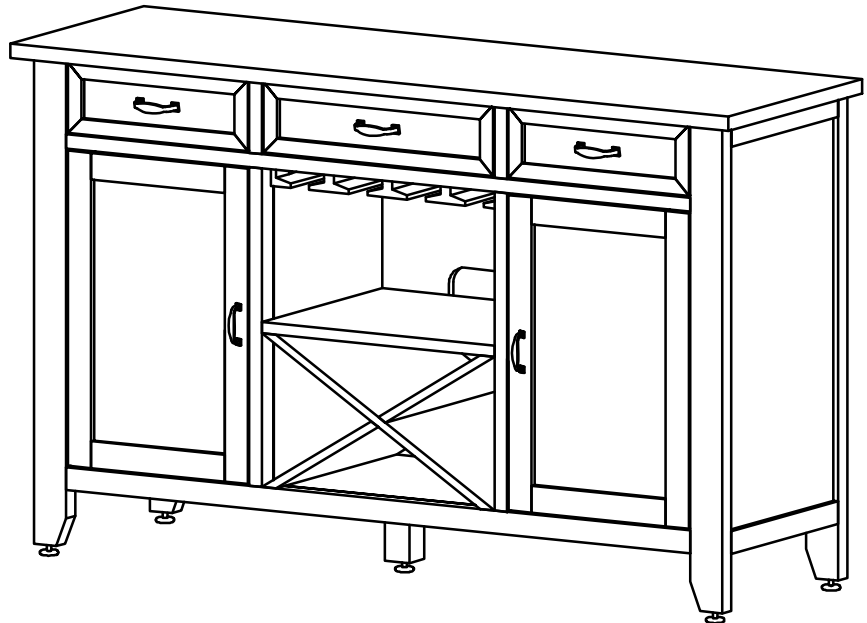
Thank you for purchasing this quality product. Be sure to check all packing material carefully for small parts that may have come loose inside the carton during shipment. Please read all instruction carefully before assembling. For your safety, assembly by two people is recommended.

#### PARTS INCLUDED:

- (3) Drawer box (a)
- (1) X Wine rack (b)
- (2) Removable shelf (c)

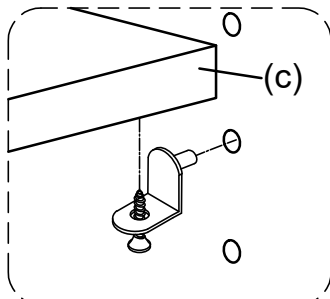
#### HARDWARE ENCLOSED:

- (1) Anti-Tip Kit

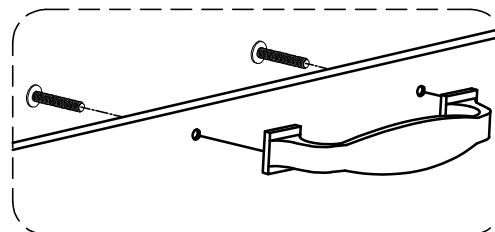


### ASSEMBLY INSTRUCTIONS

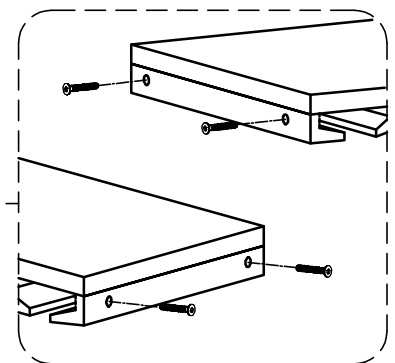
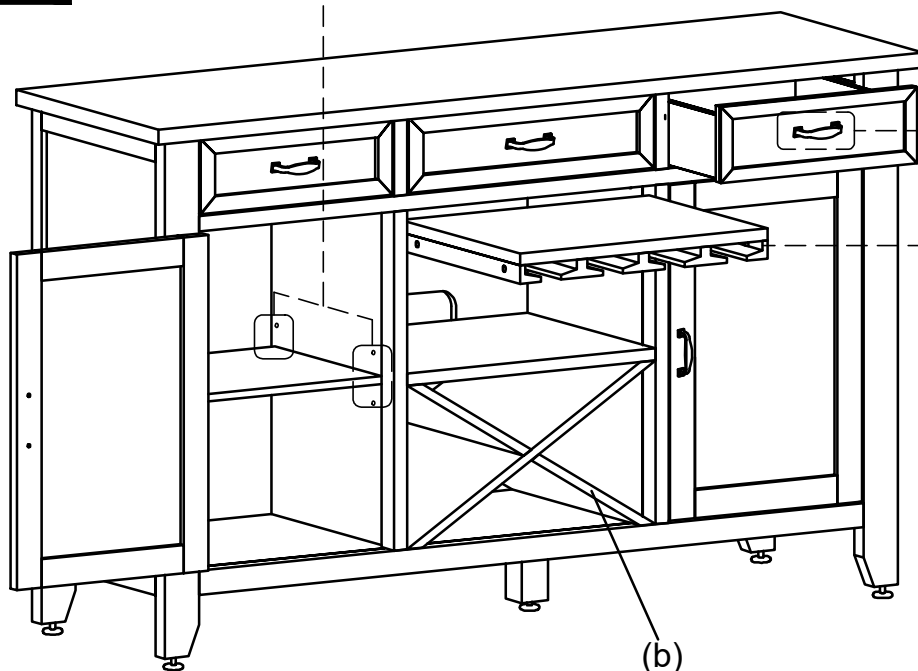
- Adjust shelf pins into locations of desired shelf height using 4 pins per shelf (Detail B)
- Handle attached to the drawers - Handle attached to the doors. Screw, tightening with a philips - head screwdriver (not provided) (Detail A)
- Wine Rack can be removable (Detail C)



**DETAIL B:**



**DETAIL A:**



**DETAIL C:**

#### NOTES:

The use of power tools for assembly is not recommended. Power tools can damage hardware or split wood.