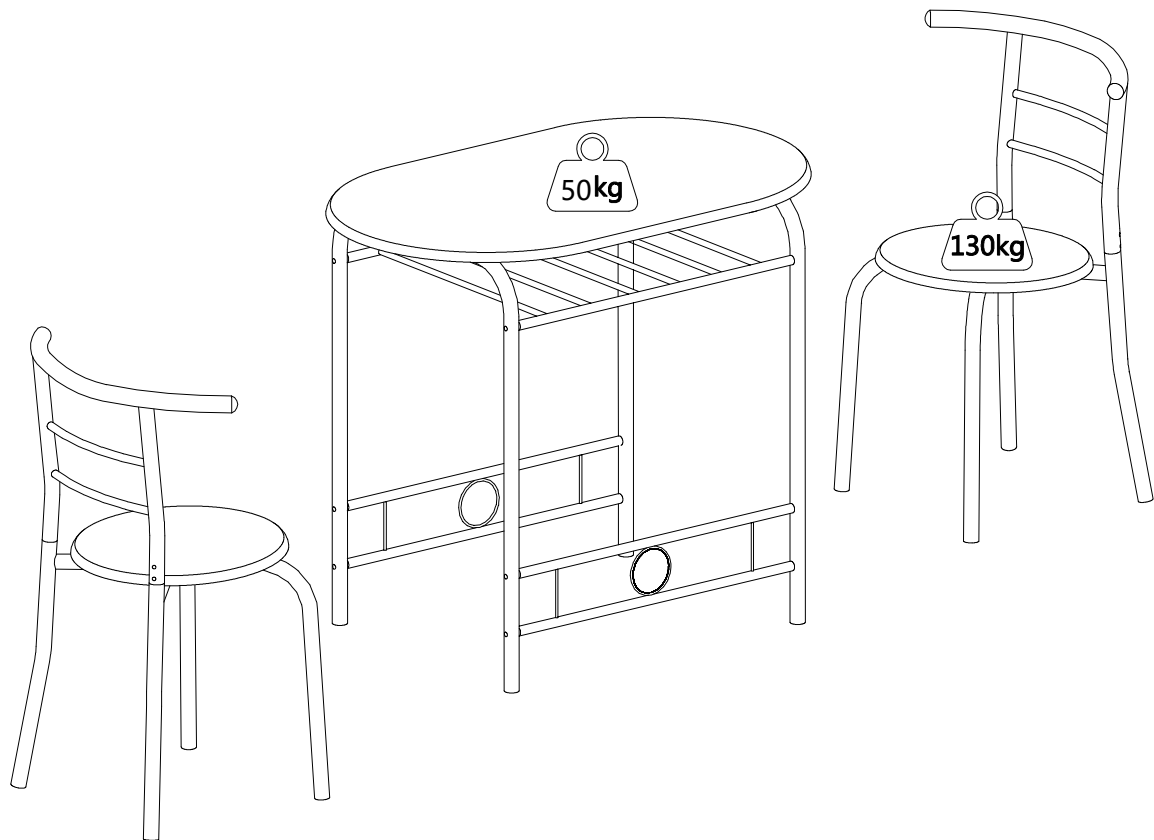


Assembly Instructions




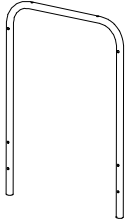
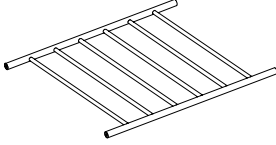
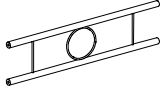


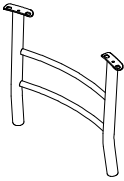
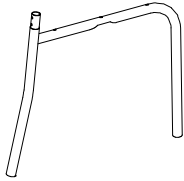
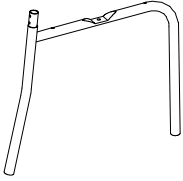
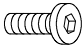
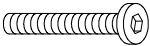
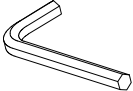
THANKS FOR YOUR PURCHASE!

WE DO OUR BEST TO INSURE THAT YOUR FURNITURE ARRIVES IN EXCELLENT CONDITION. IN THE EVENT THAT A PART IS DAMAGED OR MISSING, WE WILL BE HAPPY TO PROVIDE YOU WITH ASSIST ATTACH YOUR ORDER ID SO THAT WE CAN ASSIST YOU BETTER.

IMPORTANT:PLEASE READ ALL THE INSTRUCTIONS BEFORE STARTING ASSEMBLY.

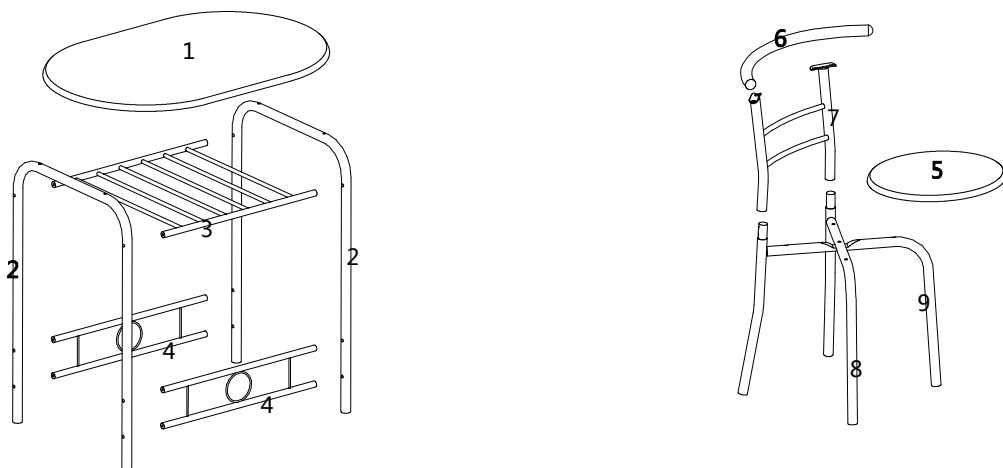
Part List

When unpacking, please be careful not to discard any parts with the packaging. Be sure to check all packing material carefully for small parts which may have come loose inside the carton during shipment. Please separate, identify, and count all parts and metal hardware. Compare with part list to be sure all parts are present. If hardware is missing or you have difficulty in assembling this product, please contact us at your earliest convenience.

1	Table Top	2	Table Leg	3	Wine Rack	4	Supporting Bar	5	Chair Seat
									
1PC		2PCS		1PC		2PCS		2PCS	
6	Chair Back Part One	7	Chair Back Part Two	8	Chair Leg Part One	9	Chair Leg Part Two		
									
2PCS		2PCS		2PCS		2PCS			
A	M6*12mm Screw	B	M6*32mm Screw	C	Allen Key				
									
16PCS		26PCS		1PC					

Overview

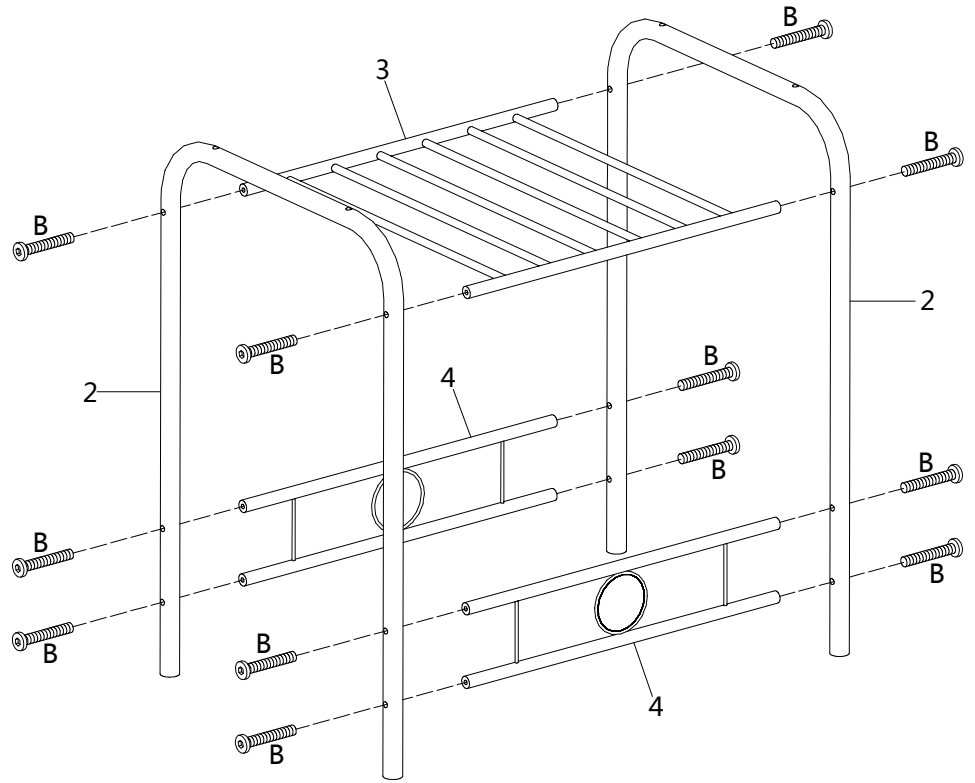
Before assembling, please make sure you have the above parts. This Dining Table with Stools has several parts and may require 2 people to assemble. To give you an overview of all parts, the following picture is to help you put the various parts into perspective. Please read through the instructions below to familiarise yourself with the parts and steps before assembly.



Installation Steps

Notice: Do not fully tighten each screw after you put in, after you attach all the screws, tighten them back and forth to make sure the legs are even.

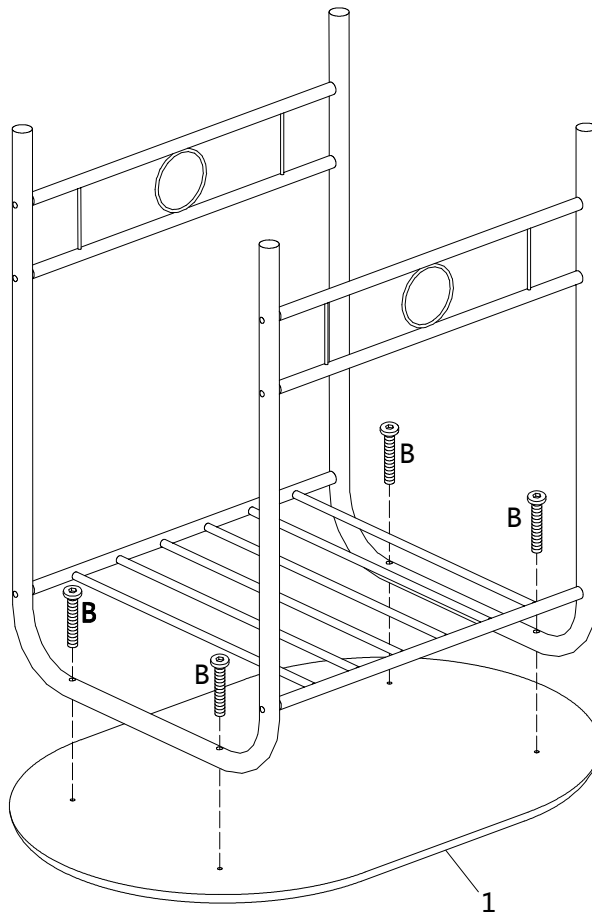
1



B M6*32mm Screw



2



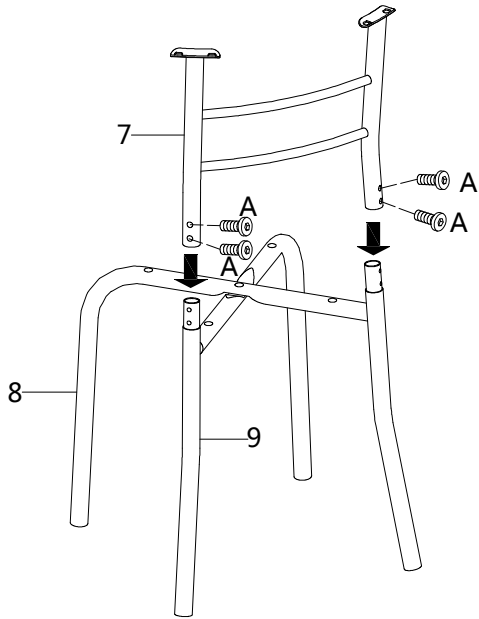
B M6*32mm Screw



Installation Steps

Notice: Do not fully tighten each screw after you put in, after you attach all the screws, tighten them back and forth to make sure the legs are even.

3

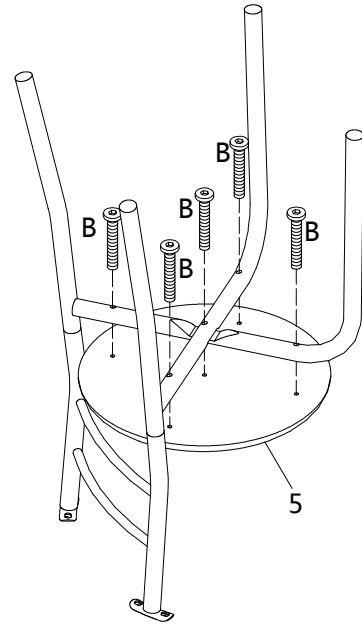


A M6*12mm Screw

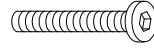


4PCS

4

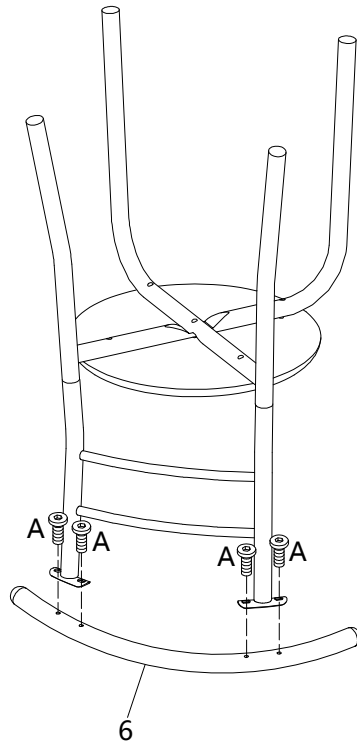


B M6*32mm Screw



5PCS

5



A M6*12mm Screw



4PCS

Thank you so much for shopping with us, For any issue or concern, welcome to contact us via, If you like our product, please share your experience with us !