

ASSEMBLY INSTRUCTIONS

Thank you for purchasing this quality product. Be sure to check all packing material carefully for small parts, which may have come loose inside the carton during shipment. Identify, count all parts and compare with the HARDWARE LIST below




Caution: Please read entire assembly instructions before starting assembly

1. We recommend that you assemble this product with the assistance of another person; this will make the assembly easier, and will help eliminate damage to the product or injury to persons during assembly.
2. Please do not over tighten screws or bolts until the assembly is completed.
3. Please put all parts on a non-abrasive floor before assembly, and follow the assembly steps to assemble your newly purchased product correctly and efficiently.






HARDWARE/PART LOCATION

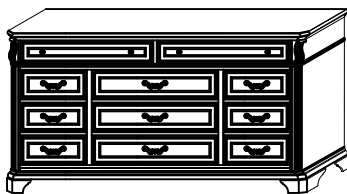
B01550 M MIRROR > Step1hardware > Inside red pack with red tape>Placed at the bottom of the mirror
B01550 D DRESSER >Step2 Anti-tipping kit >Inside white pack > Attached on the backboard

PART LIST

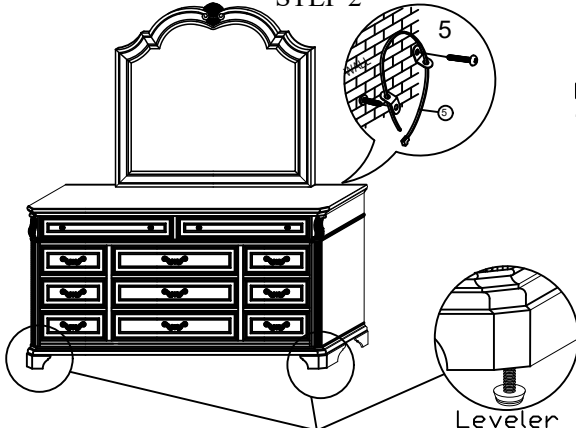
NO.	DESCRIPTION	SKETCH	Q'TY
A	DRESSER		1pc
B	MIRROR		1pc
C	Cleat		2pc

HARDWARE LIST OF MIRROR

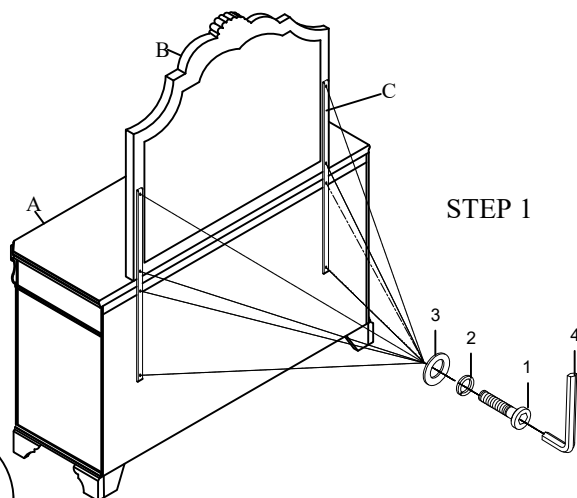
NO.	SKETCH	COMPONENT	Q'TY
1		Bolt Ø1/4"*38mm	8pc
2		Spring Washer Ø1/4"	8pc
3		Flat Washer Ø1/4"*19mm*2mm	8pc
4		Allen Wrench (4mm)	1pc
5		Anti-tipping kit	1



STEP 2



Leveler



STEP 1