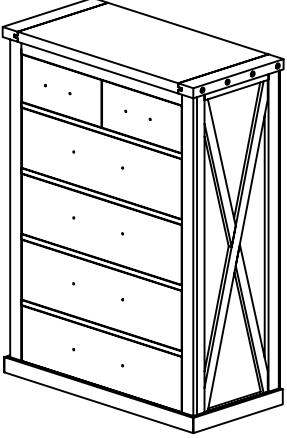
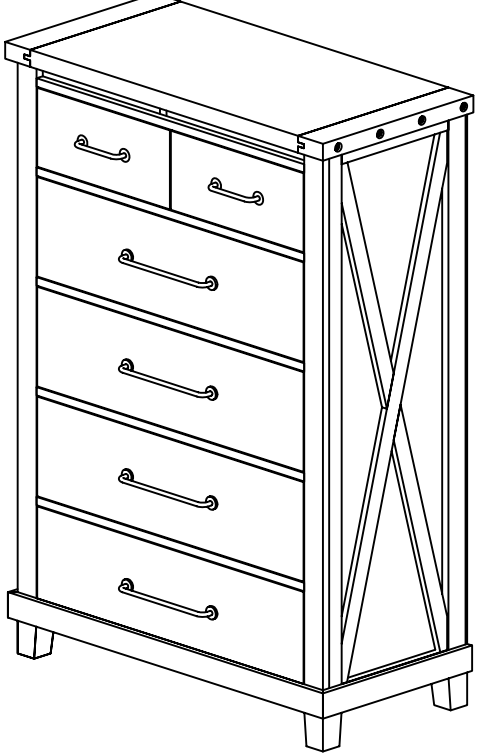






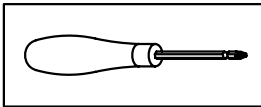


# CHEST ASSEMBLY INSTRUCTIONS

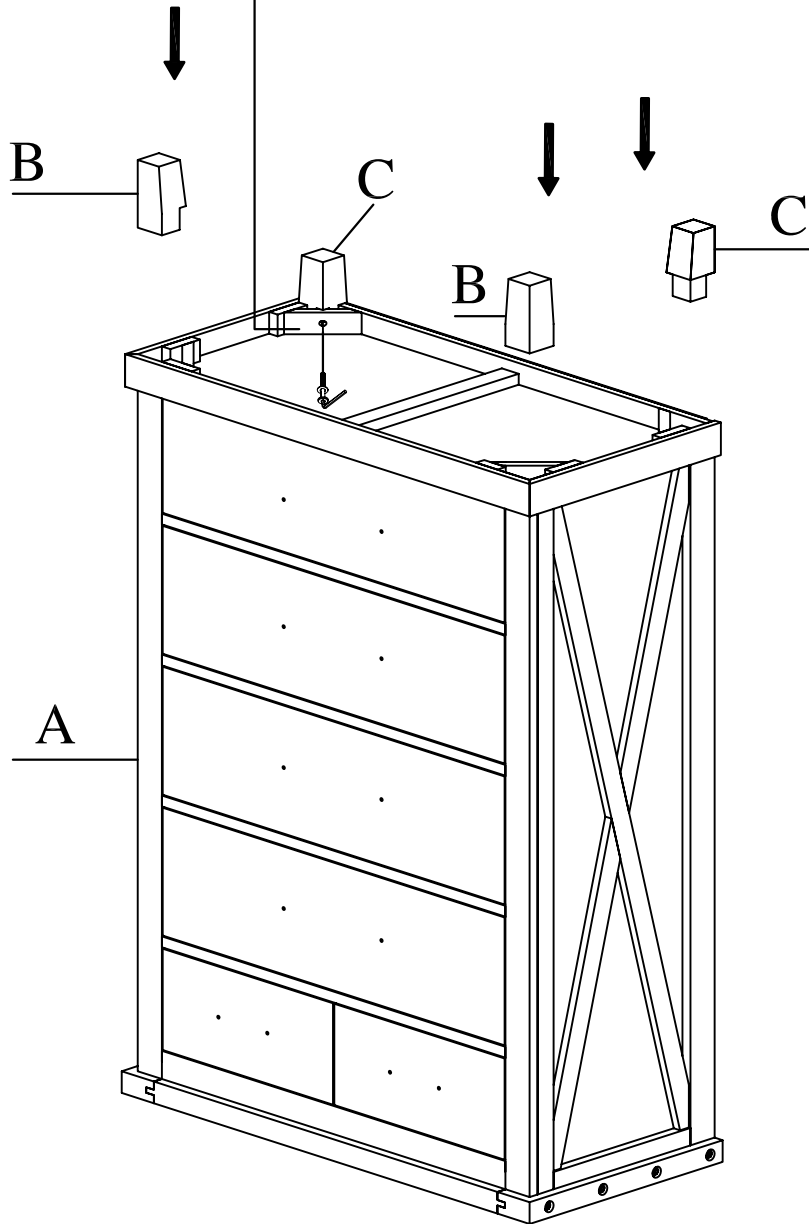
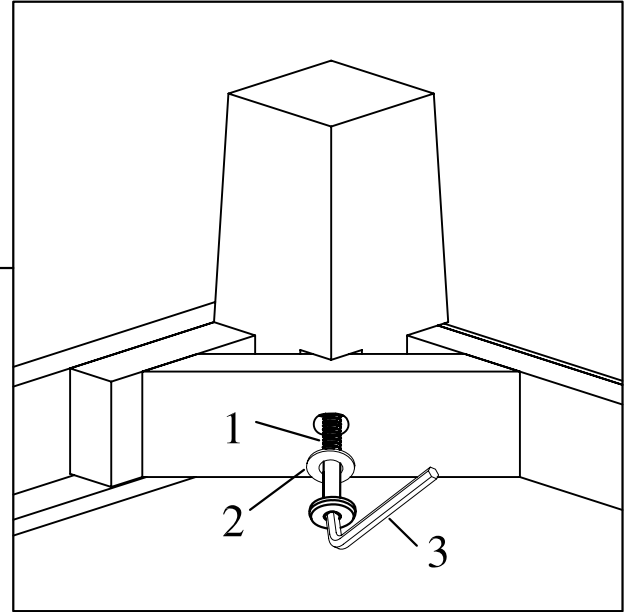
<p>A. CHEST 1PC</p> 	<p style="text-align: center;">CHEST ASSEMBLED</p> 
<p>B. FRONT LEGS 2PCS</p> 	
<p>C. BACK LEFT LEG 1PC</p> 	
<p>D. BACK RIGHT LEG 1PC</p> 	

## HARDWARE ARE PACKED IN BOX

<b>1</b>	ALLEN BOLT M6 x 50 MM	04 PCS	<b>2</b>	WASHER M8	04 PCS	<b>3</b>	ALLEN KEY (4MM)	01 PC
								
<p><b>TOOL REQUIRED</b></p> <p>PHILLS HEAD SCREW DRIVER NOT PROVIDED</p>								
								

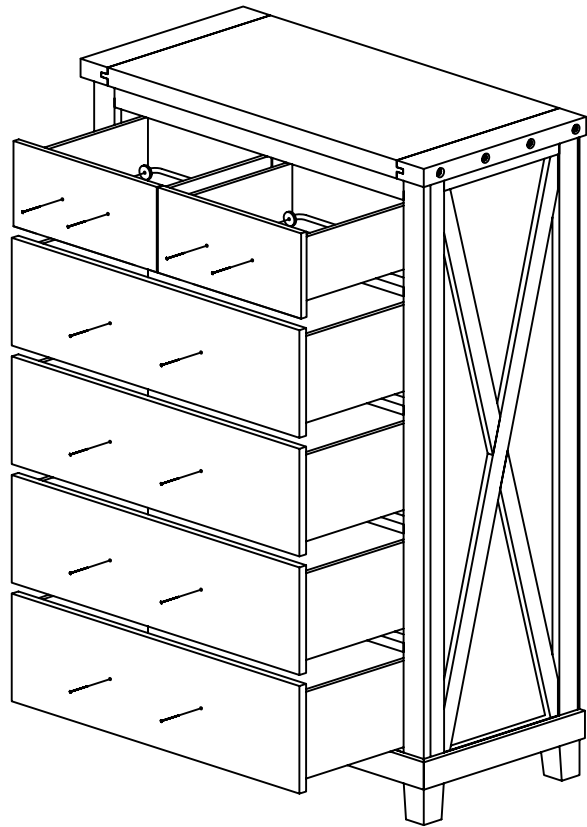
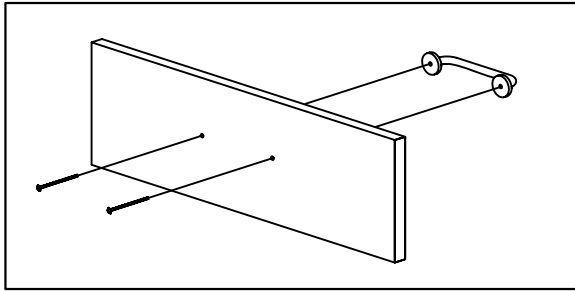
**STEP 1:**

**FASTEN THE LEG (B),(C),(D) TO THE CHEST (A), WITH BOLTS (1) AND WASHERS (2).**



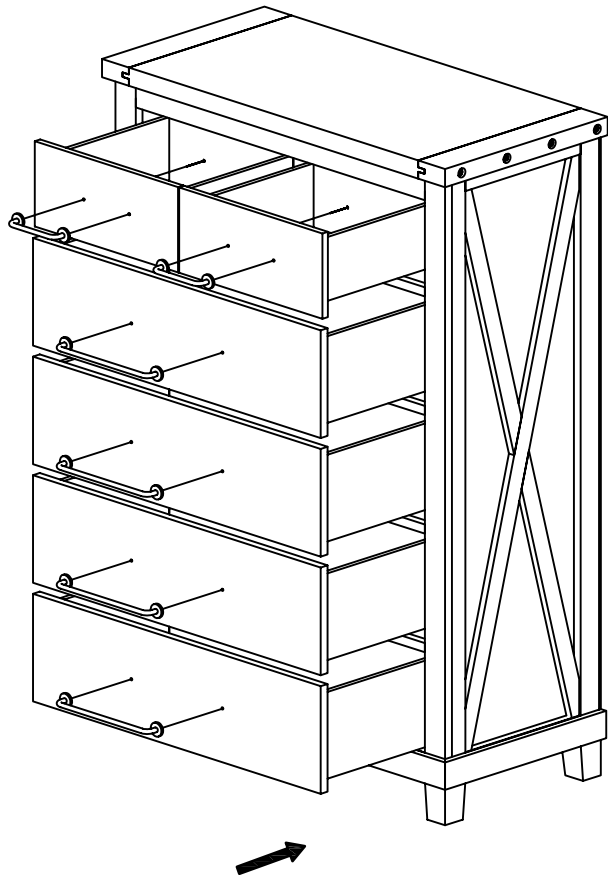
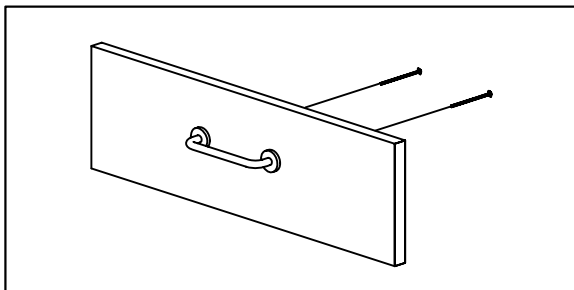
**STEP 2:**

**PULL OUT AND REMOVE HANDLE.**



**STEP 3:**

**ASSEMBLE HANDLE.**



**STEP 4:**  
**ASSEMBLY COMPLETE.**

