




Stackable Dining Chair

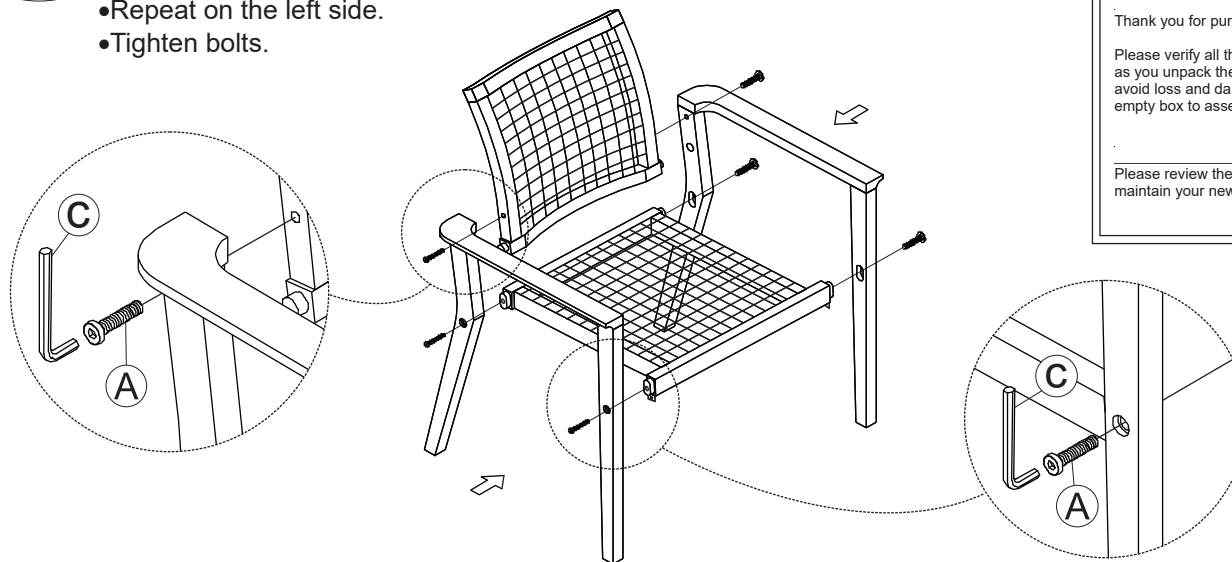
Assembly Instructions:

Please assemble on soft surface after removing contents as not to scratch or damage parts.
Enjoy!

CHAIR ASSEMBLY INSTRUCTIONS

Item	Description	Q'ty
A	 Bolt 6x50	06
B	 Screw 4x25	02
C	 Allen Key	01
D	Portable Drill Bit	01

STEP 1 •Put the right leg into the given holes and fasten the bolts half way.
•Repeat on the left side.
•Tighten bolts.



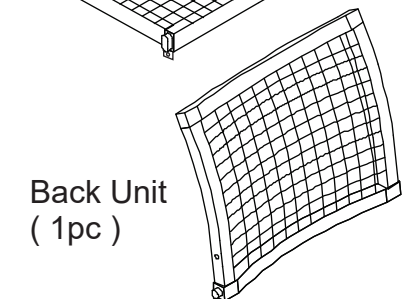
STOP! PLEASE READ FIRST:

Thank you for purchasing this item

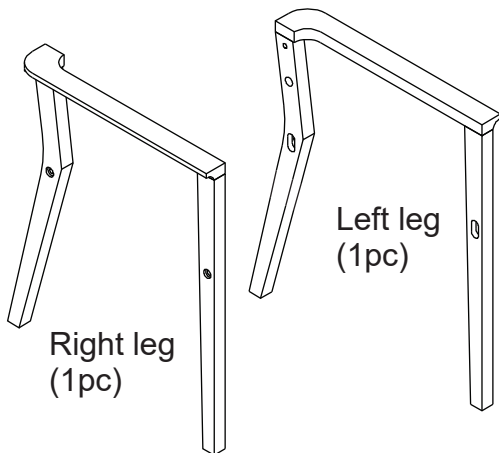
Please verify all the hardware and components are included as you unpack the carton. Place the items in a safe area to avoid loss and damaging contents. Use a soft area or use the empty box to assemble the set.

Please review the "PLEASE OIL ME" card for how to care & maintain your new furniture.

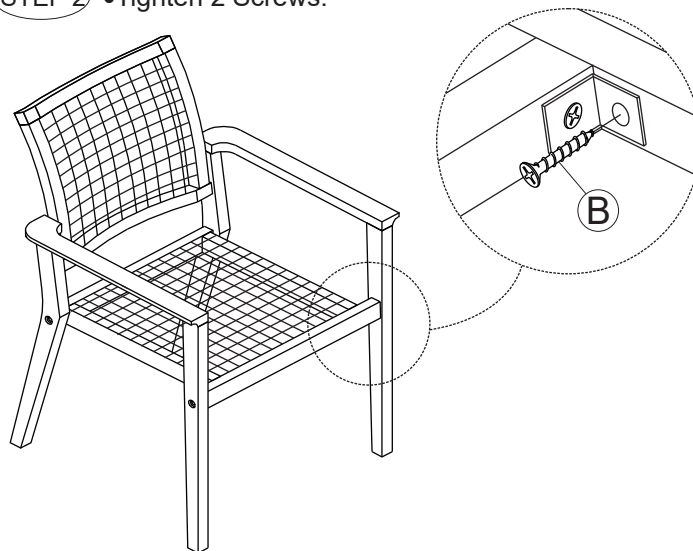
Seat Unit
(1pc)



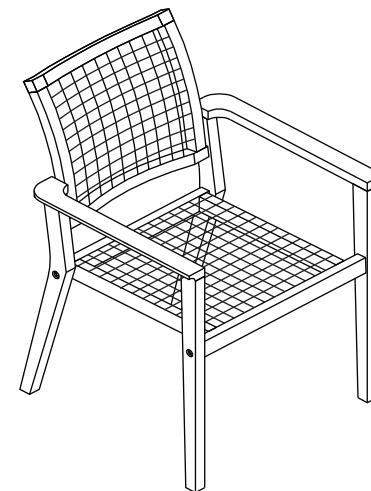
Back Unit
(1pc)



STEP 2 •Tighten 2 Screws.



STEP 3 •Enjoy!



Assembly Tip: Best to assemble on its side or upside down and do not overtighten bolts until the end after getting various parts assembled and fit.