




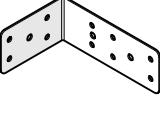

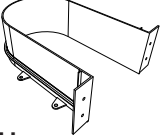

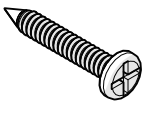

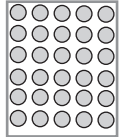


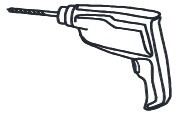


## **Thank You For Your Purchase**

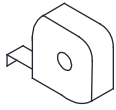
We hope that this product will help make your home beautiful.  
We strive to provide great customer service and want to make sure you are completely satisfied. If you have any questions or comments, we'd love to hear from you! please be free to email us.

Thanks again for shopping with us!

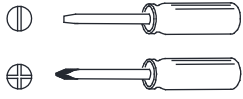
 AX46	 Bx46	 Cx28	 4*14 Dx34	 4*22 Ex6	 Fx2	 4*12 Gx20	 Hx2
 4*12 X6 Ix2	 4*22 Jx12	 Kx2	 Lx1	 Mx7	 4*25 Nx4		



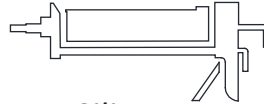
Drill



Measuring tape



Screwdriver



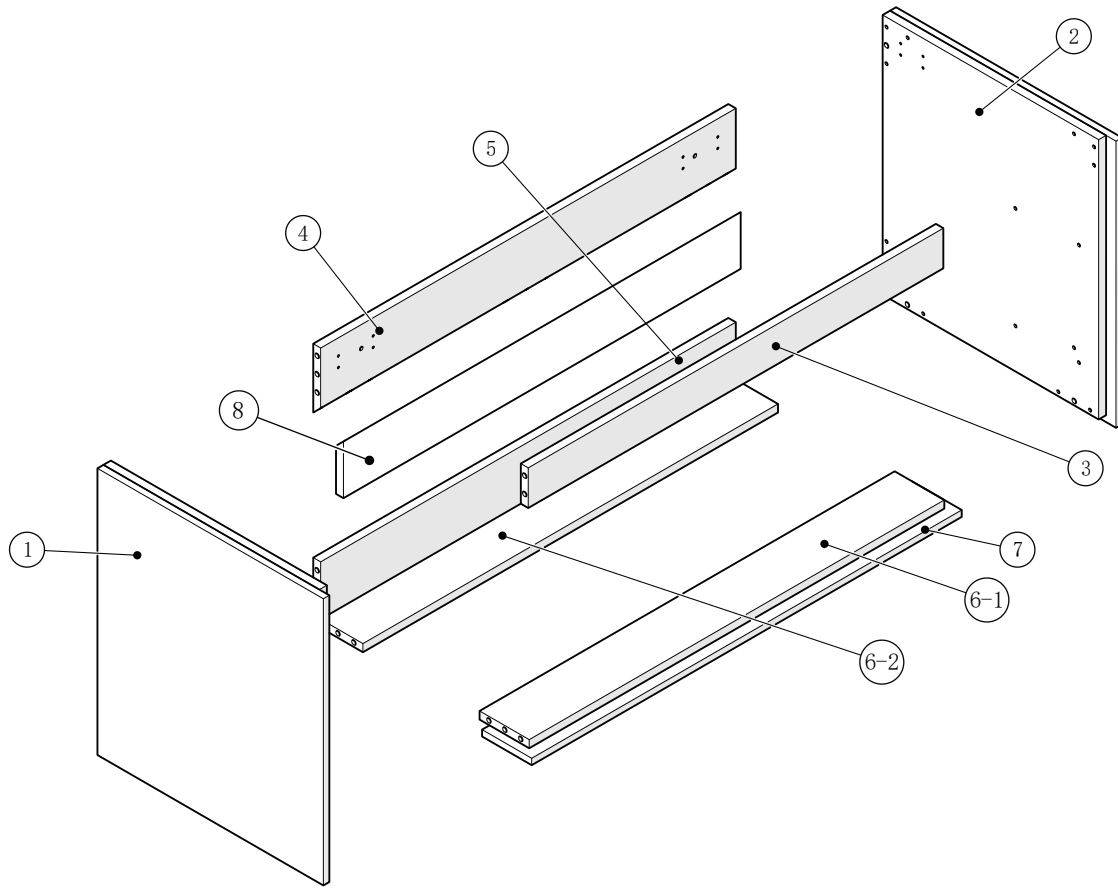
Silicone



Level

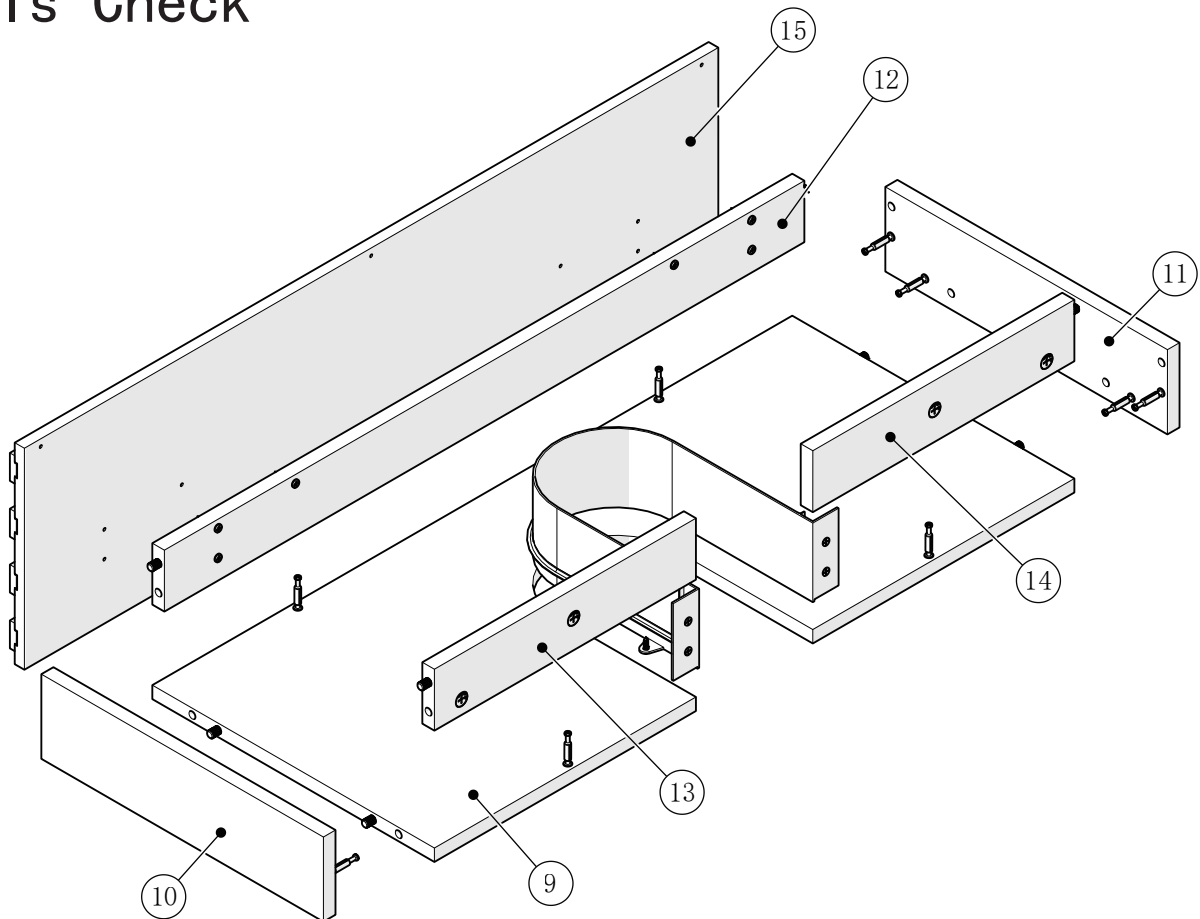


# Panel s Check



1

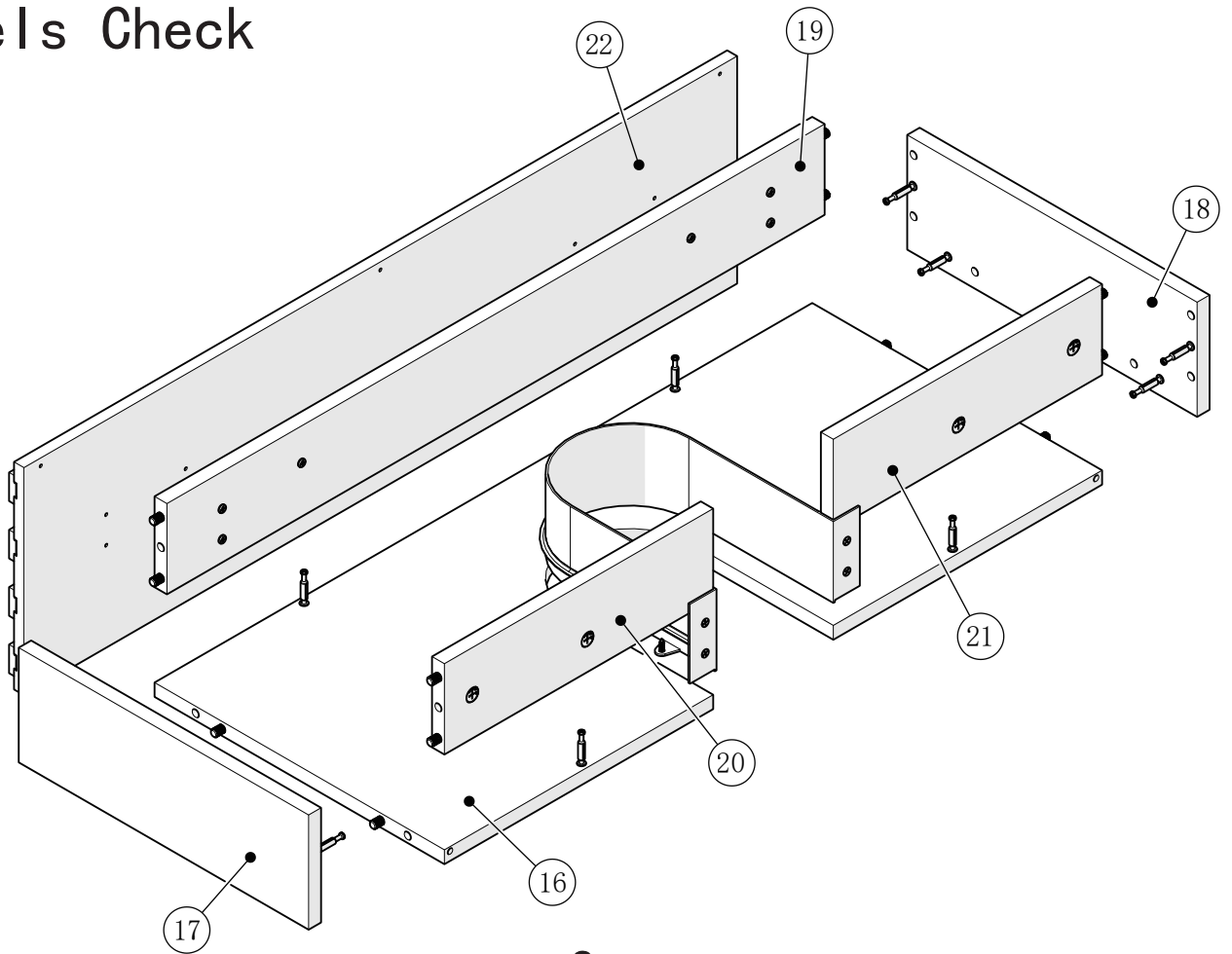
# Panel s Check



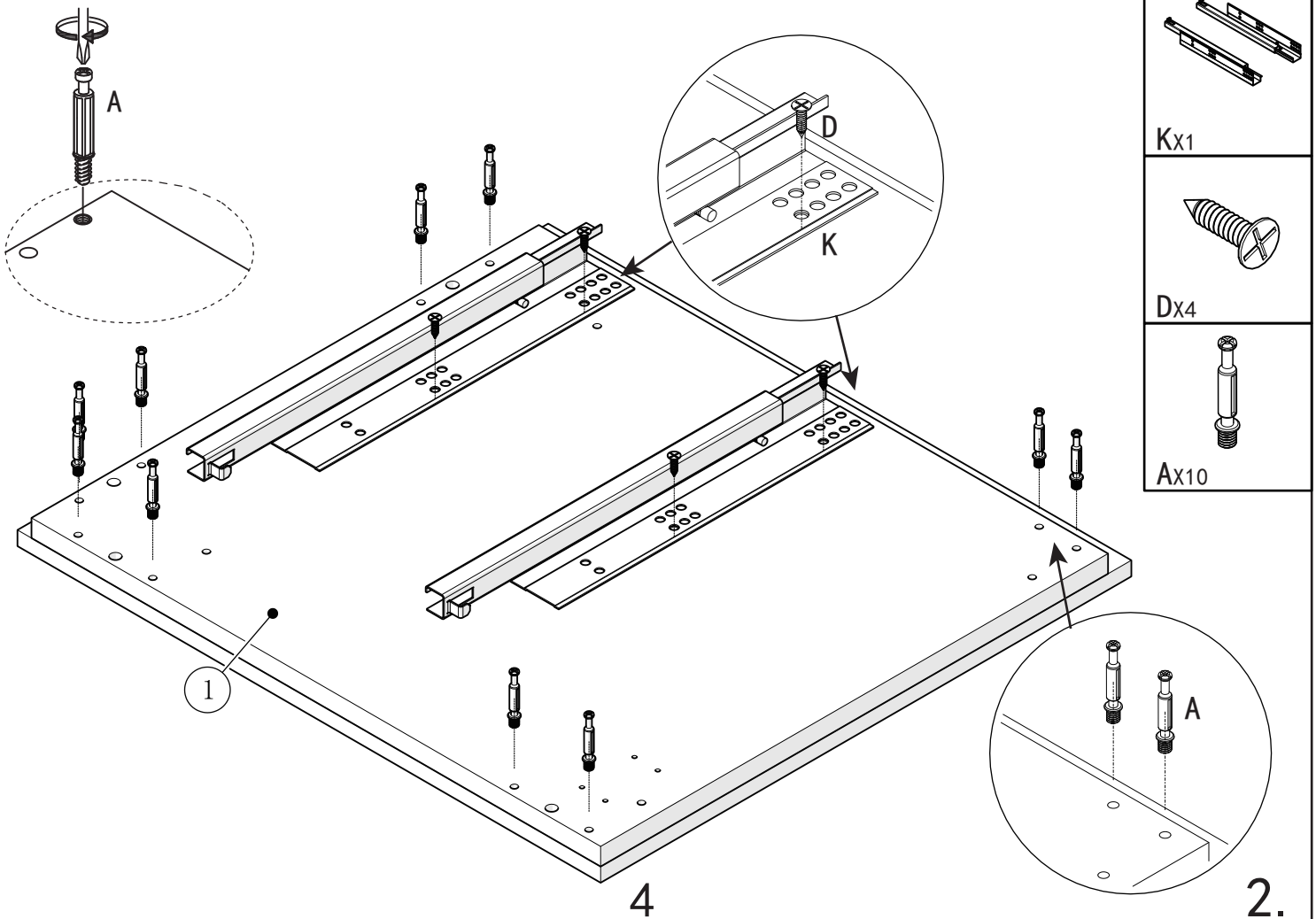
2

1.

# Panel s Check

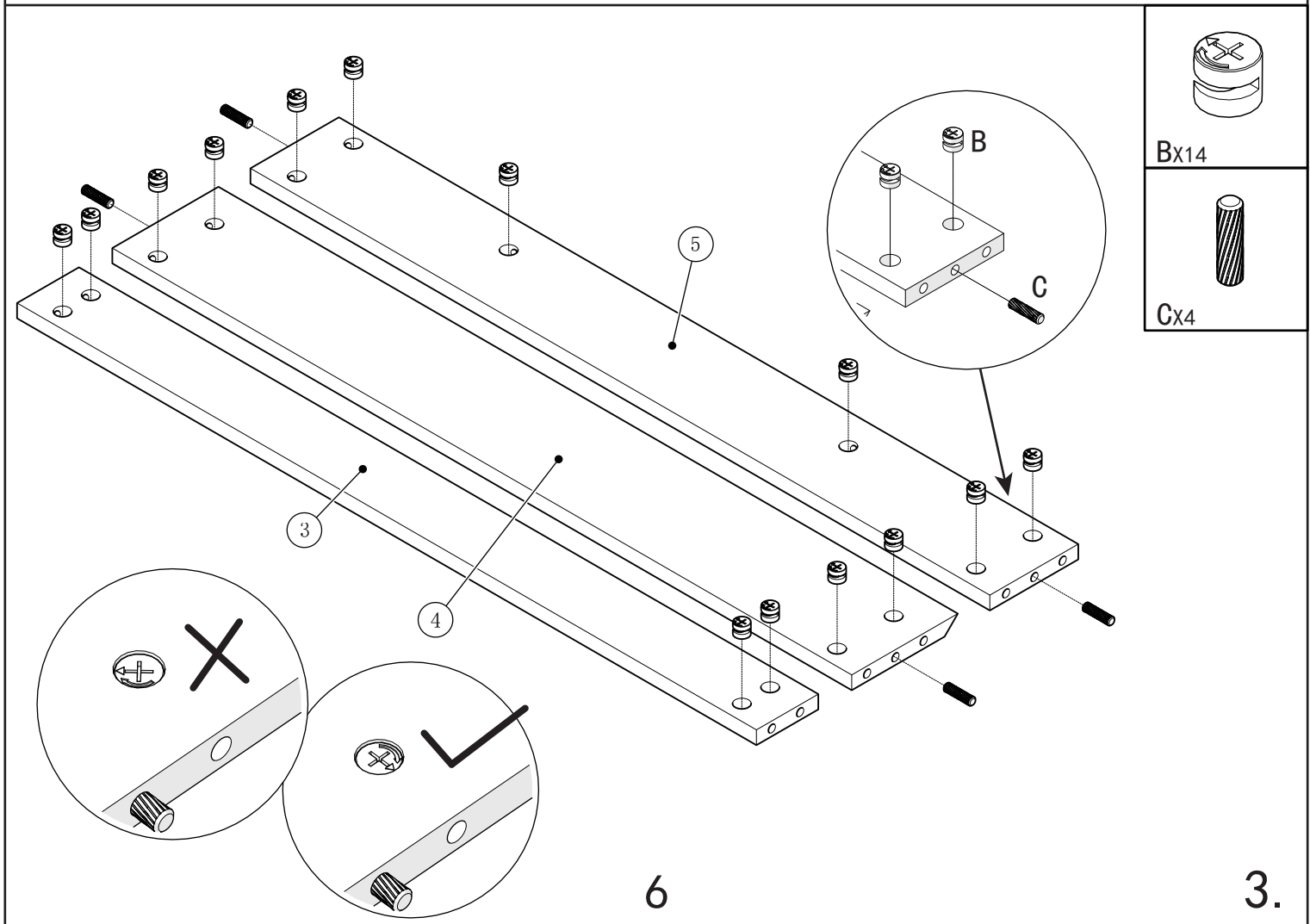
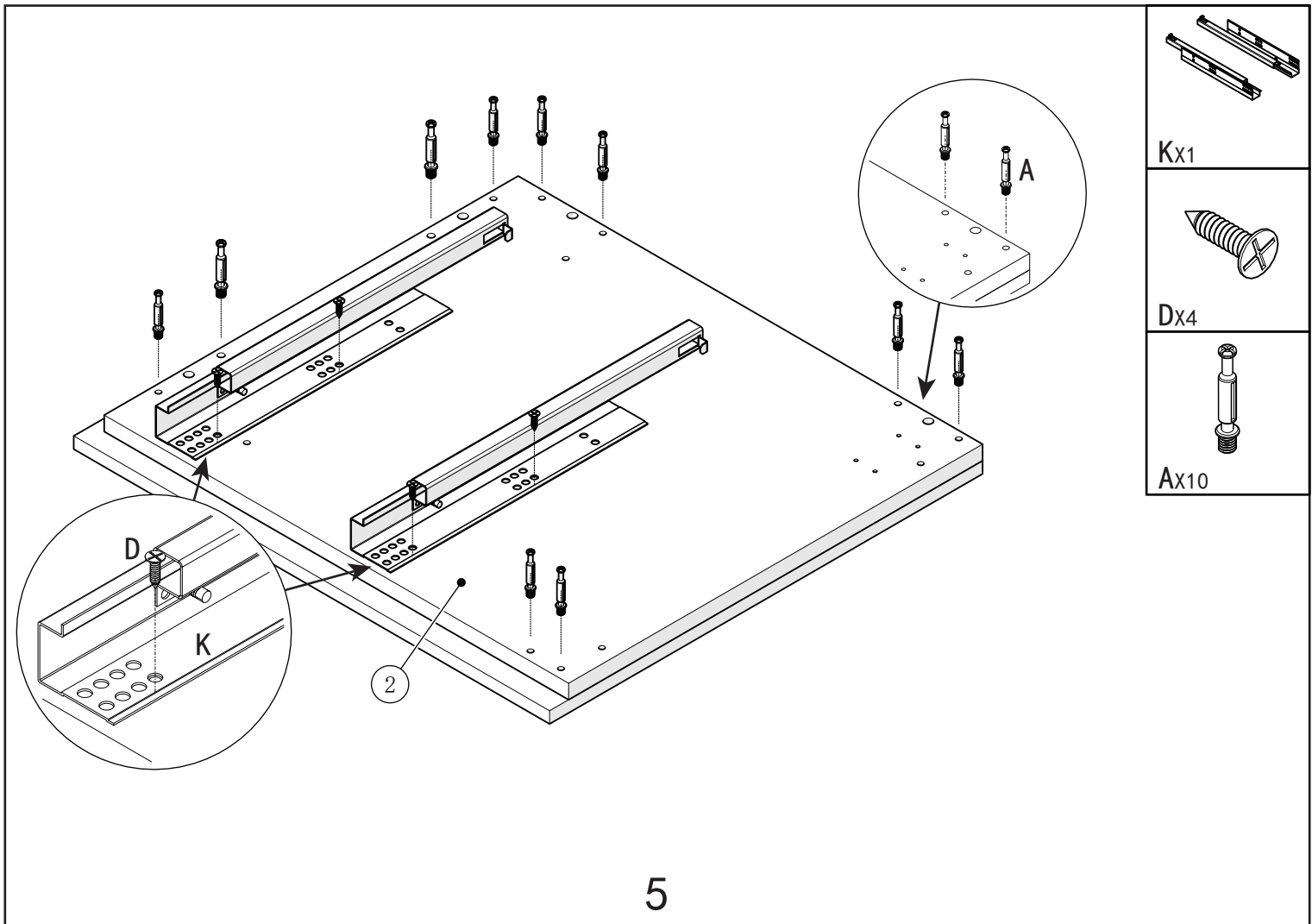


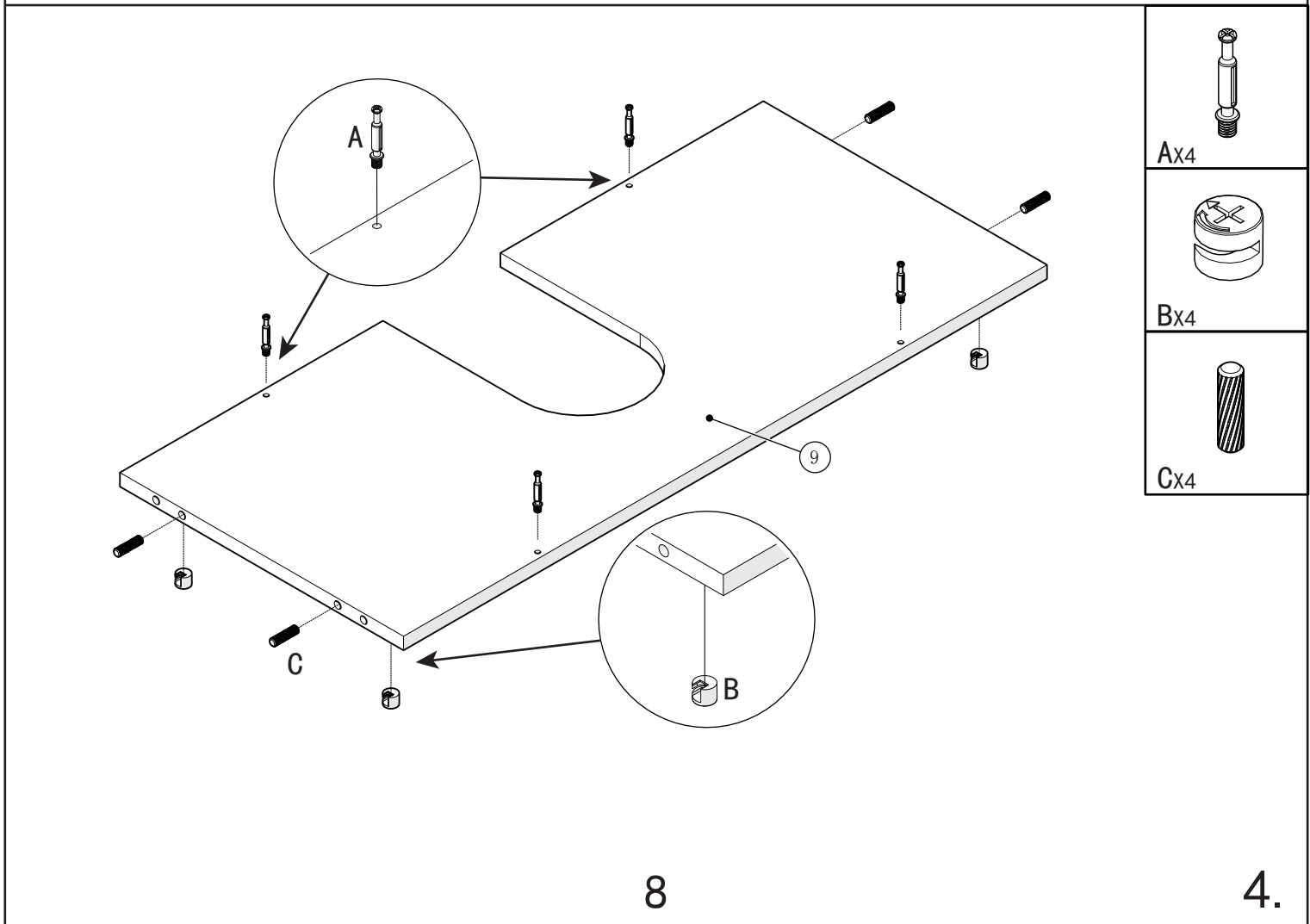
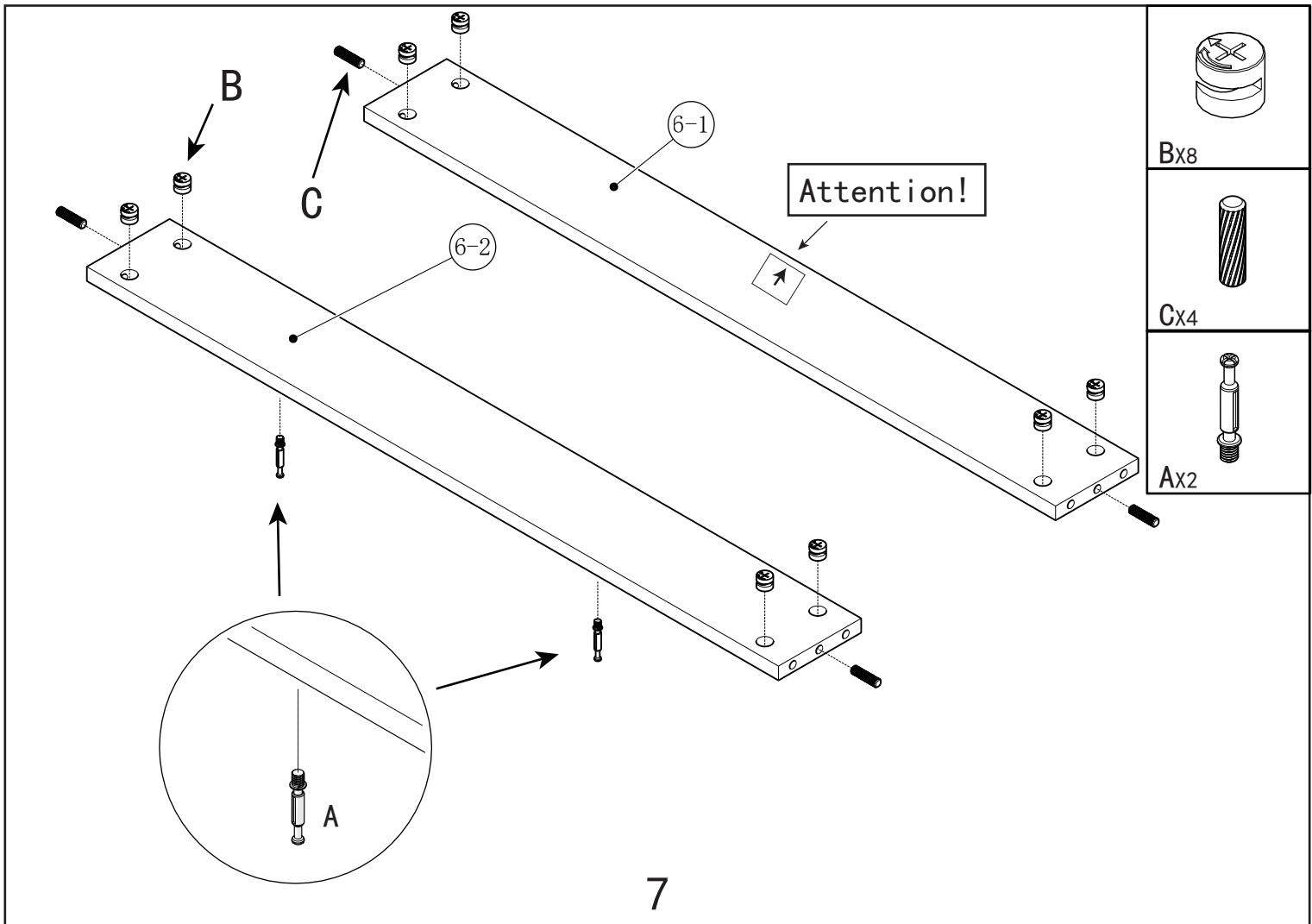
3

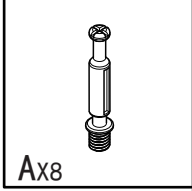
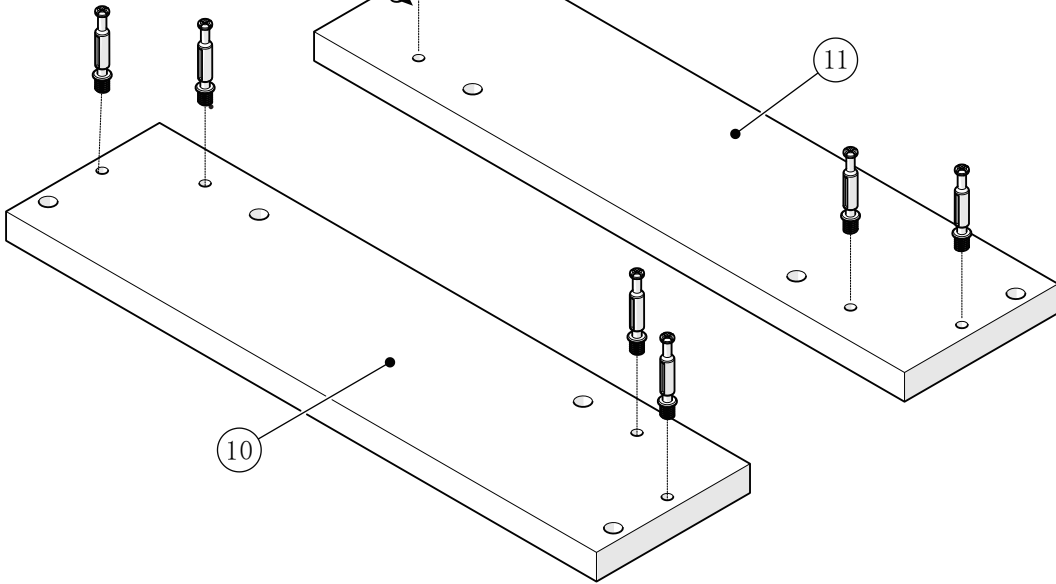
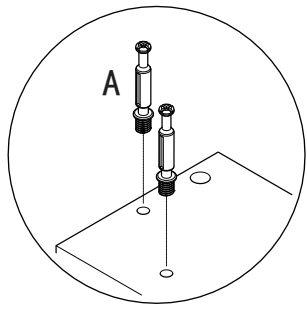


4

2.

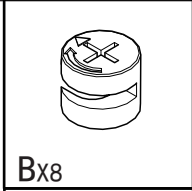
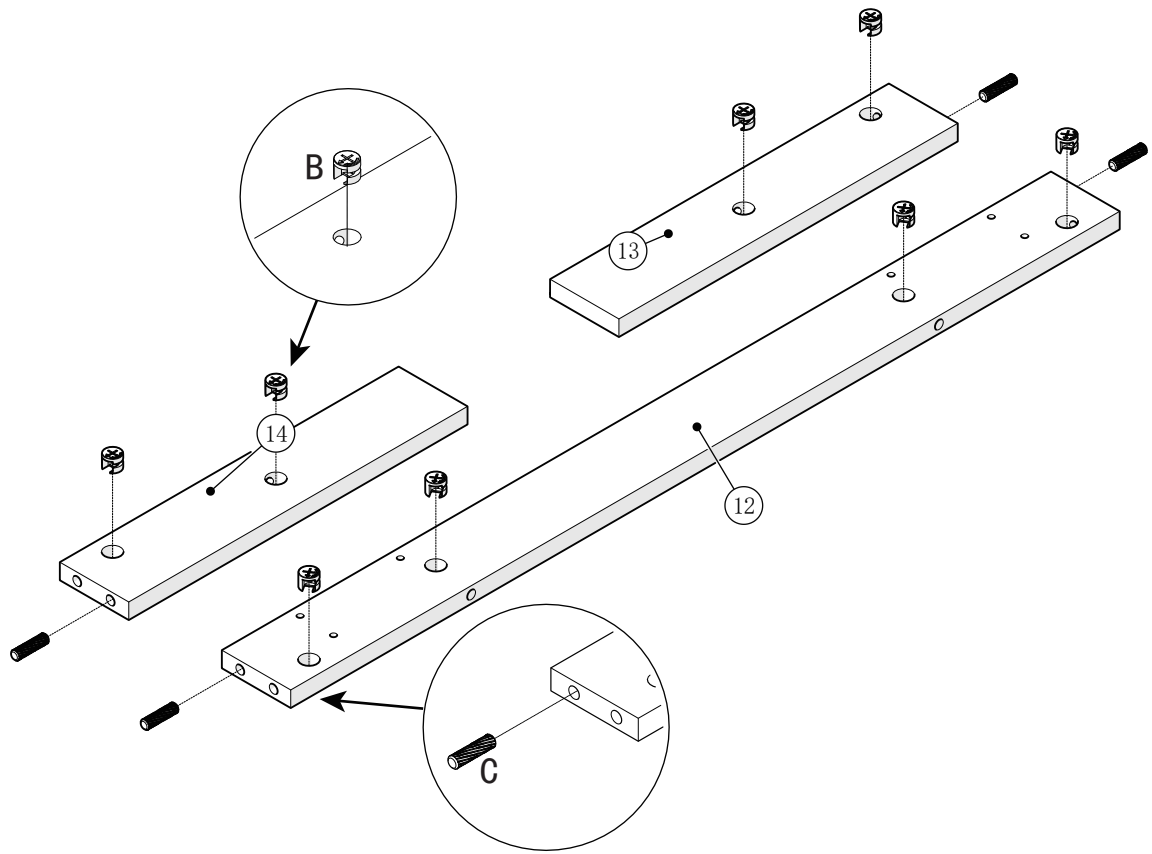
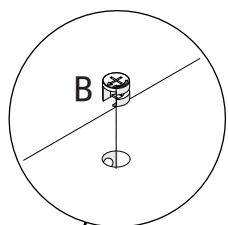




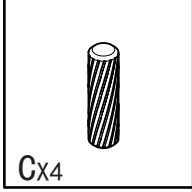


Ax8

9



Bx8

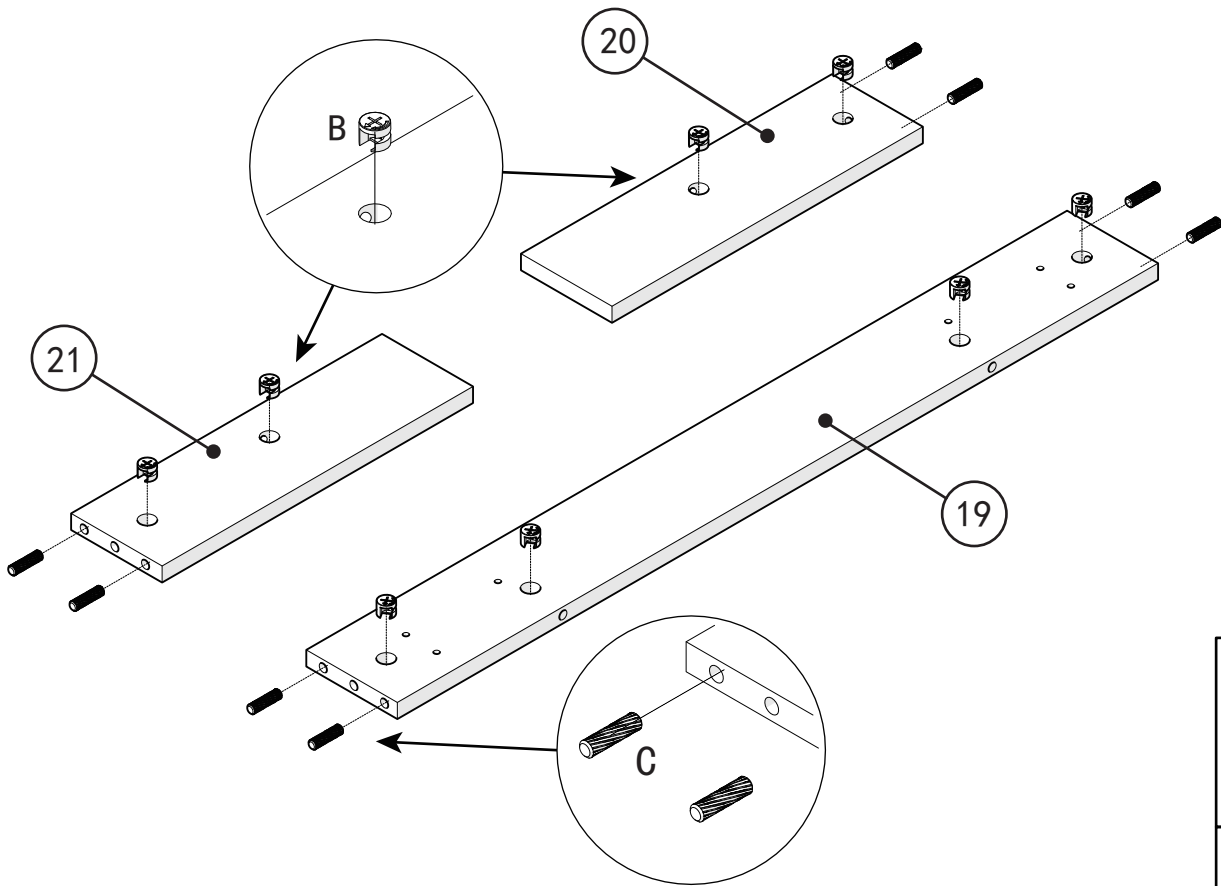


Cx4

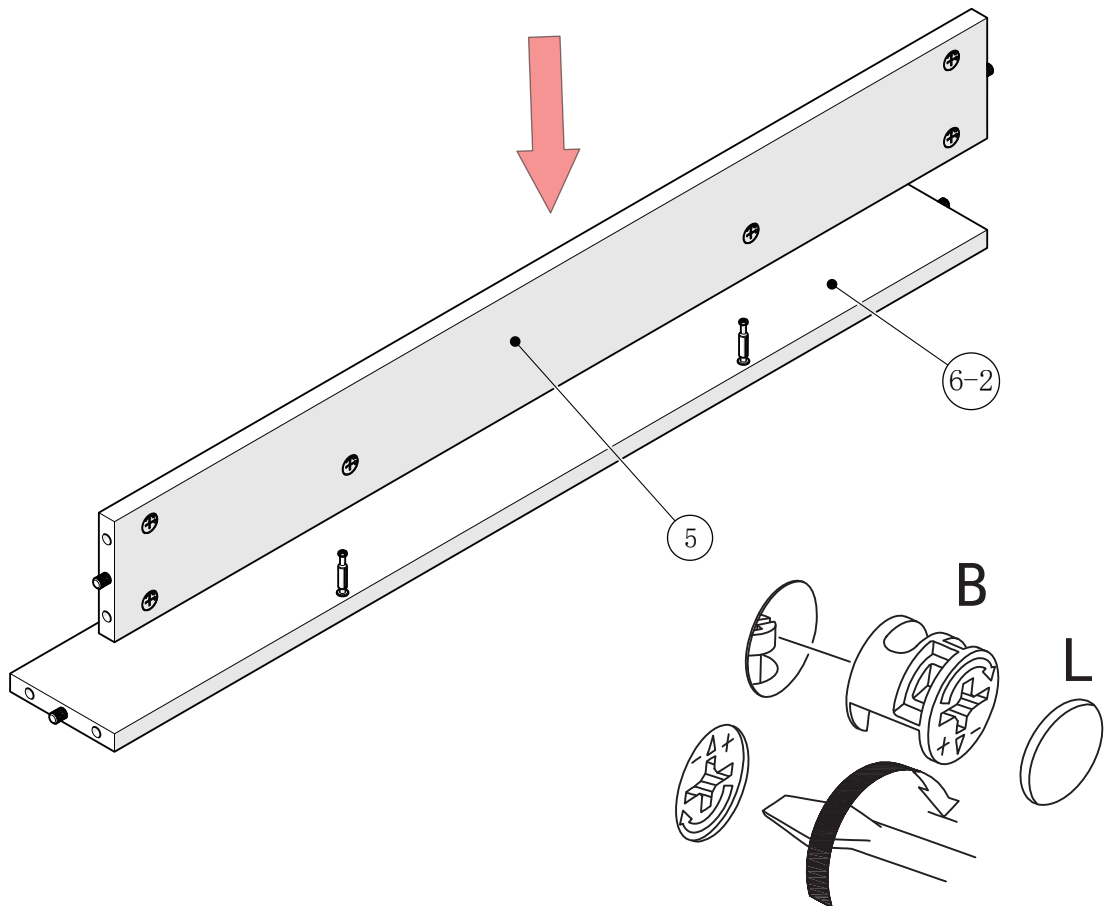
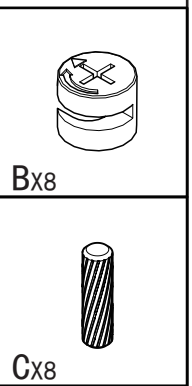
10

5.



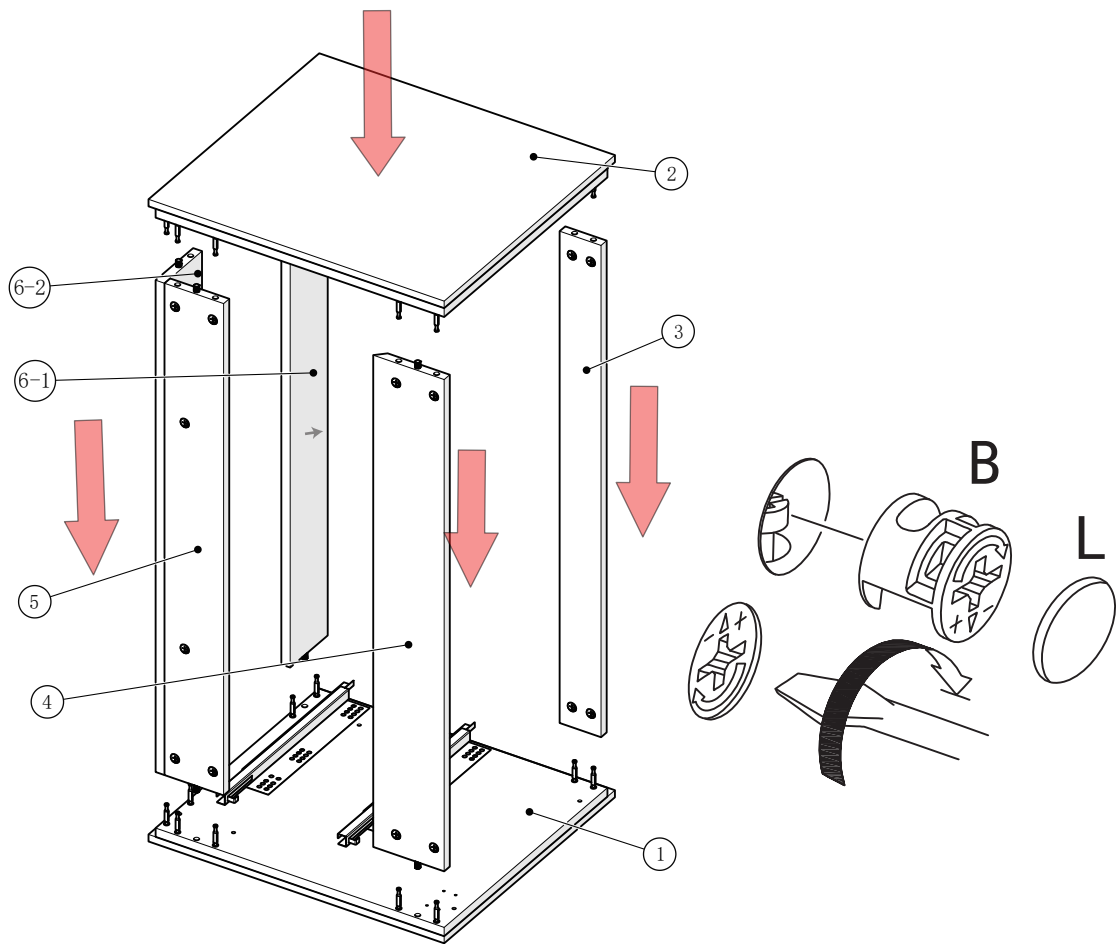


13

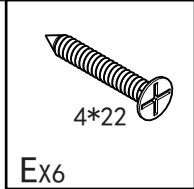
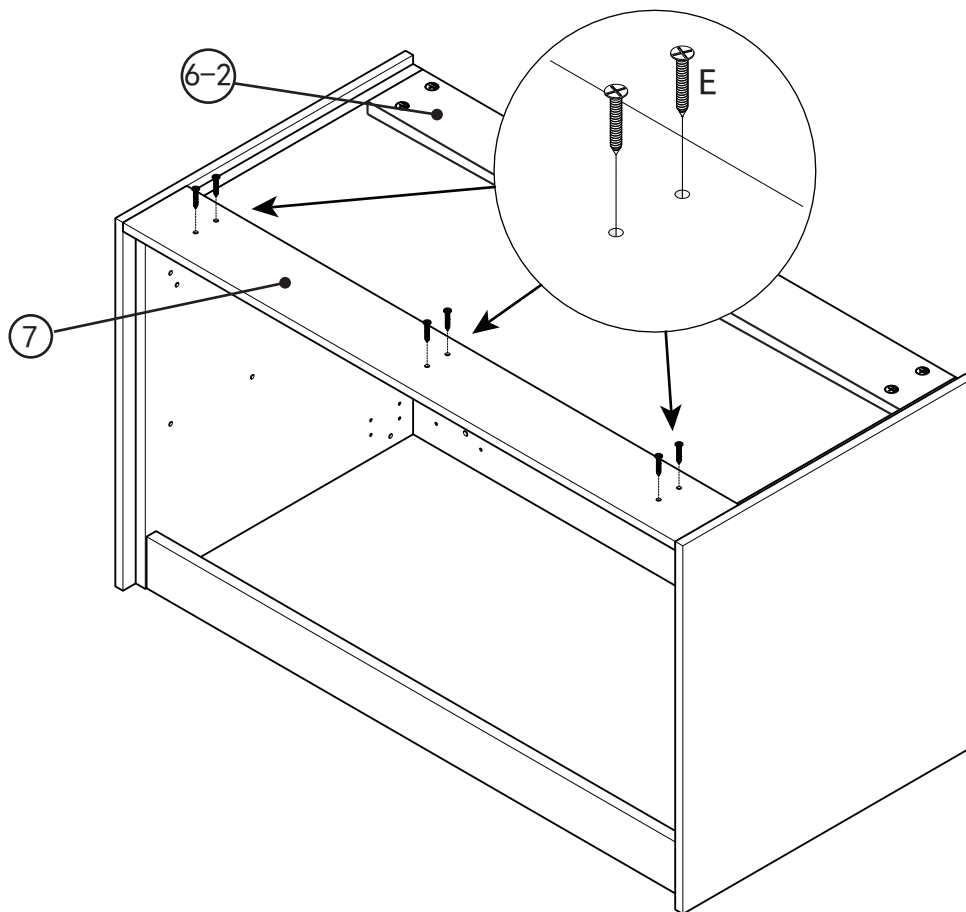


14

7.

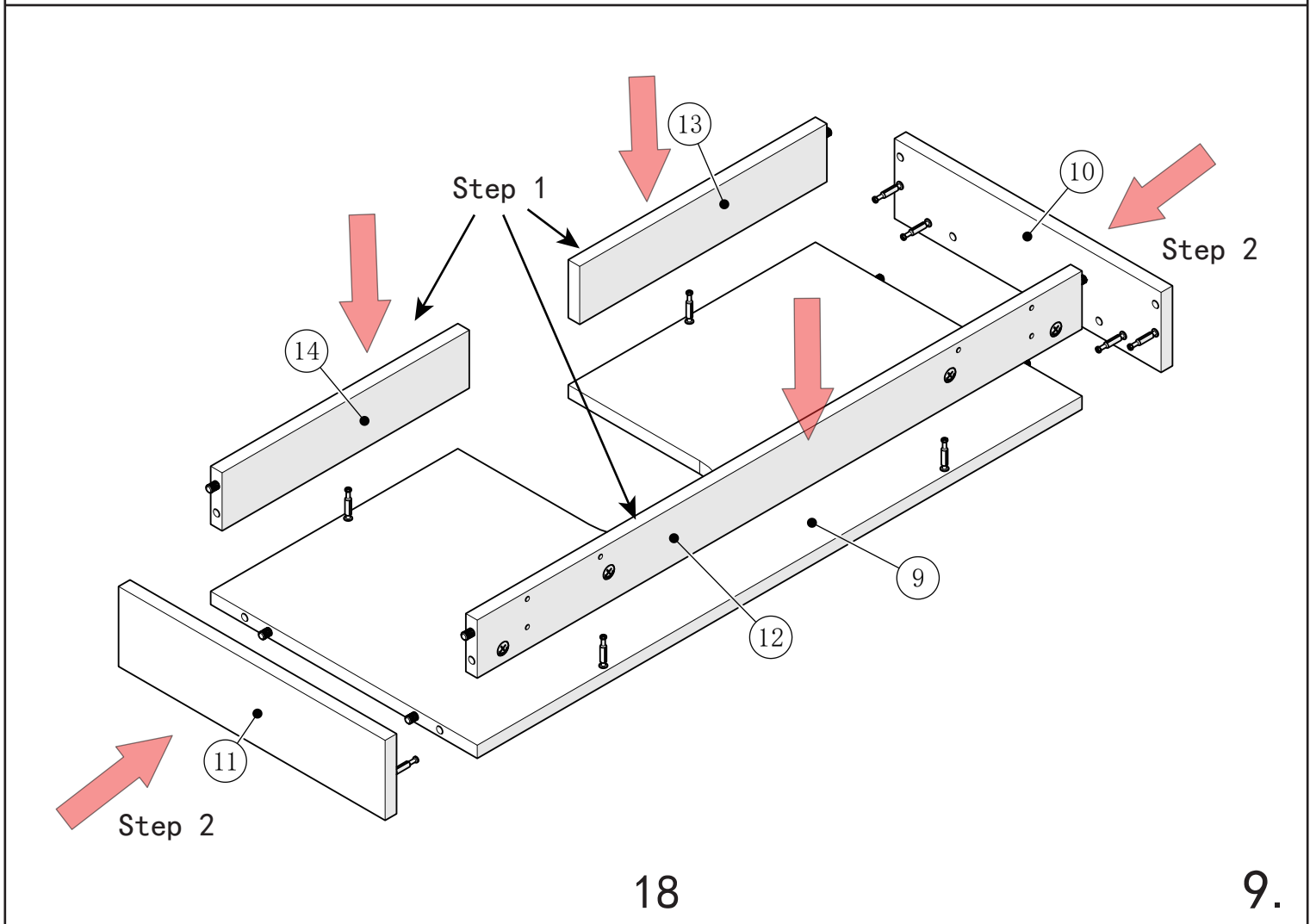
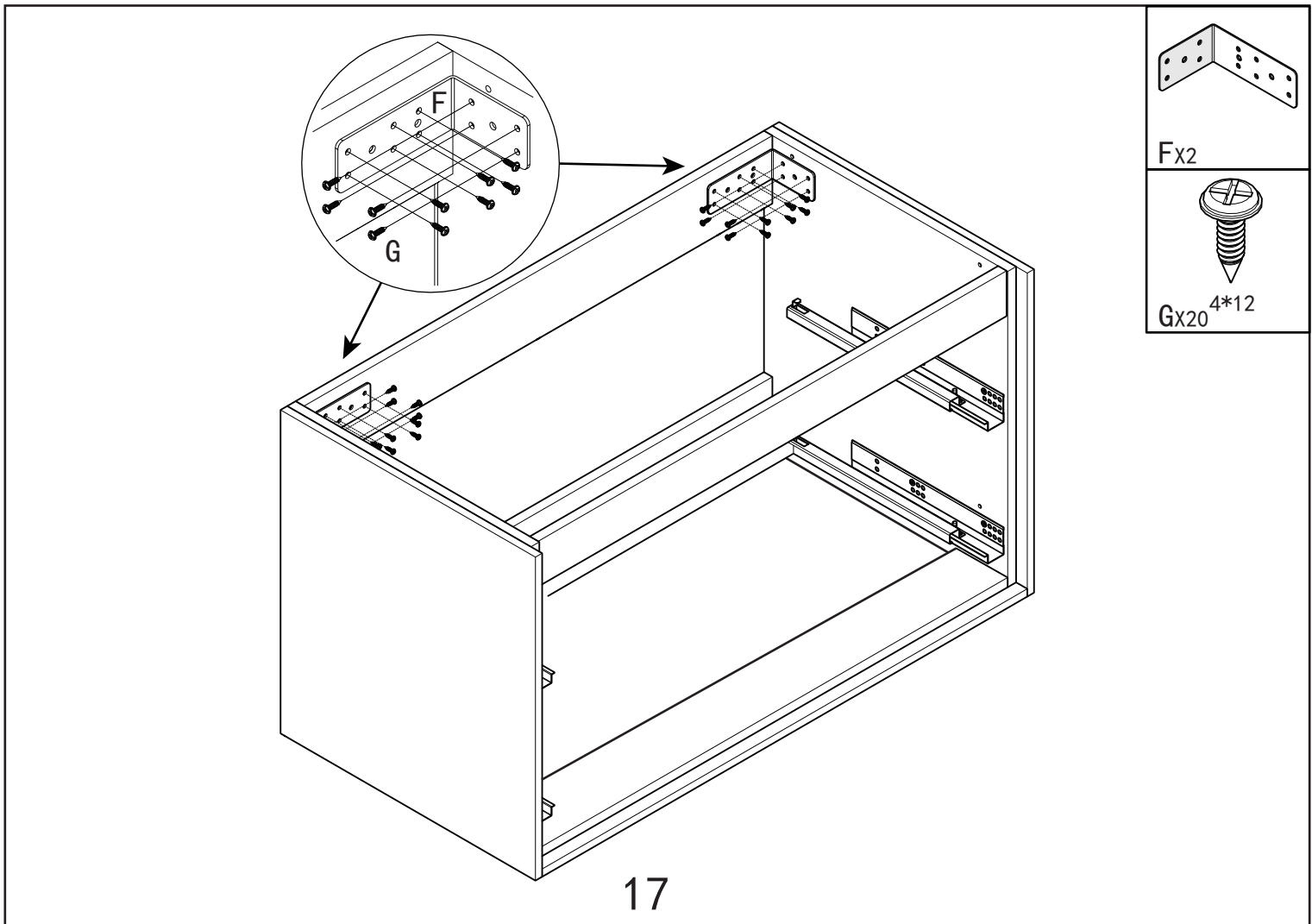


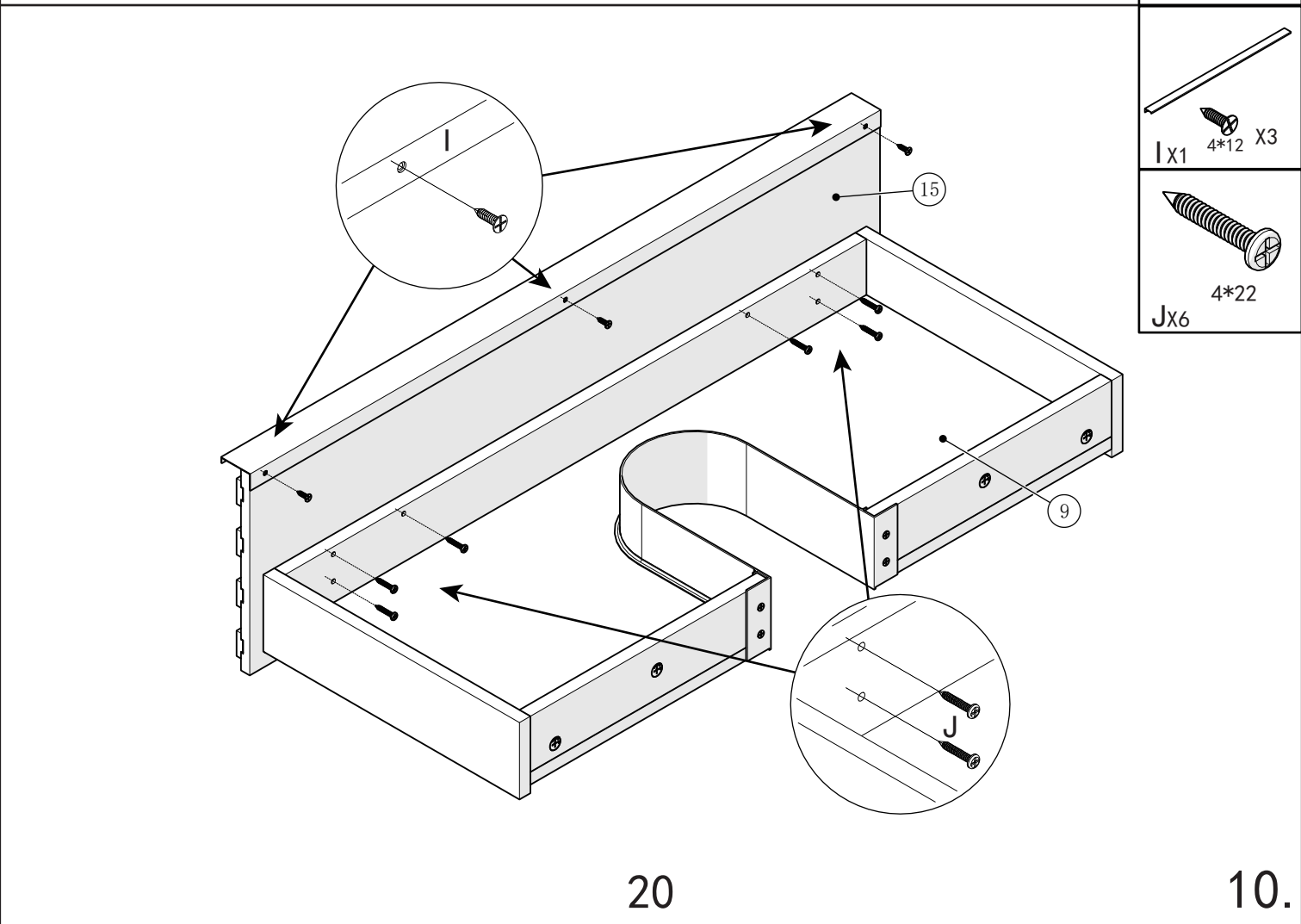
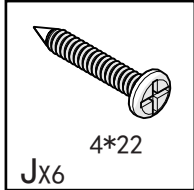
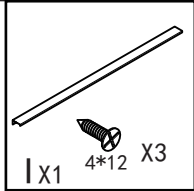
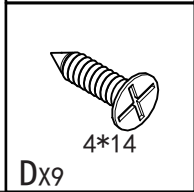
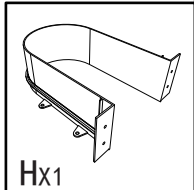
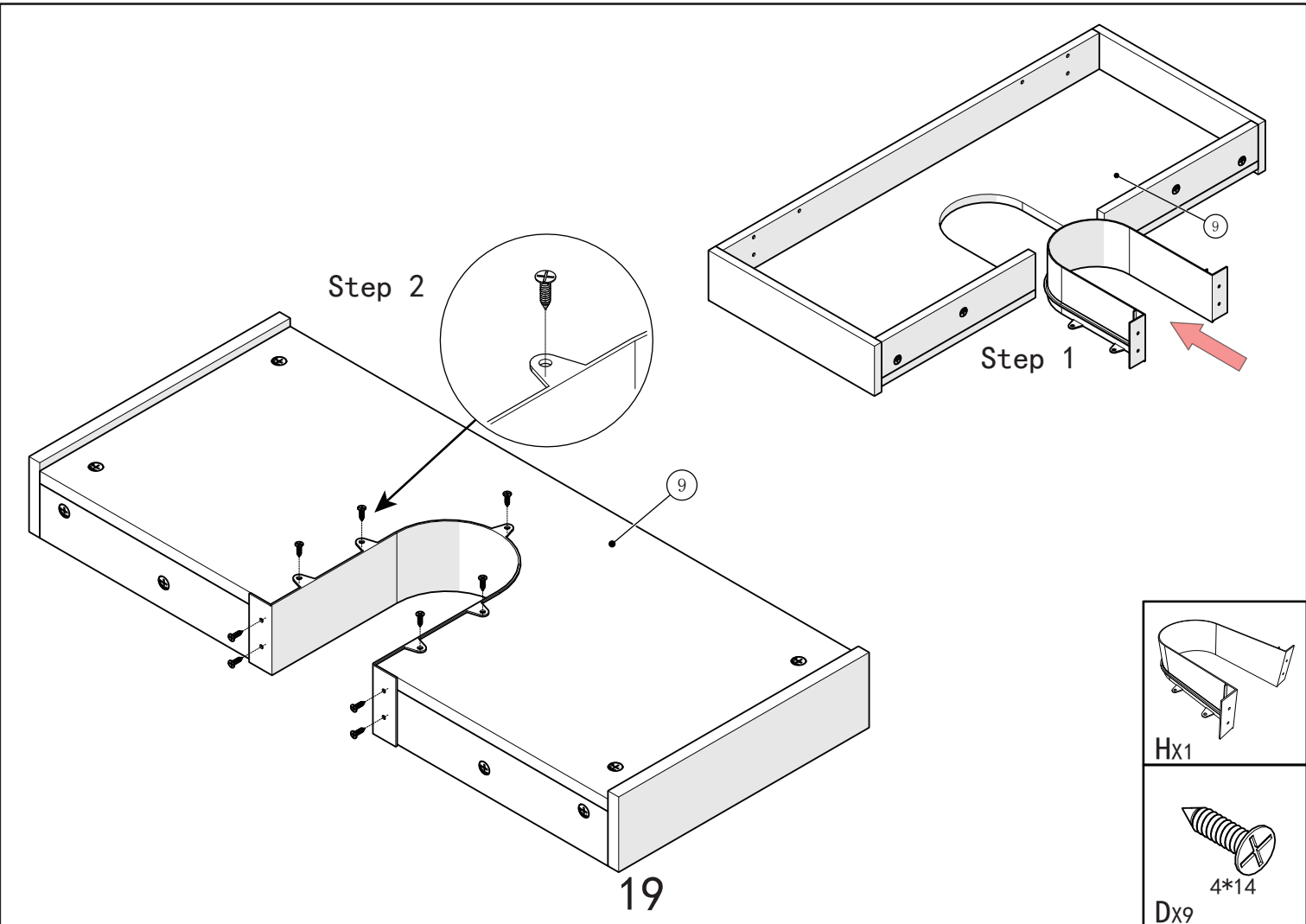
15

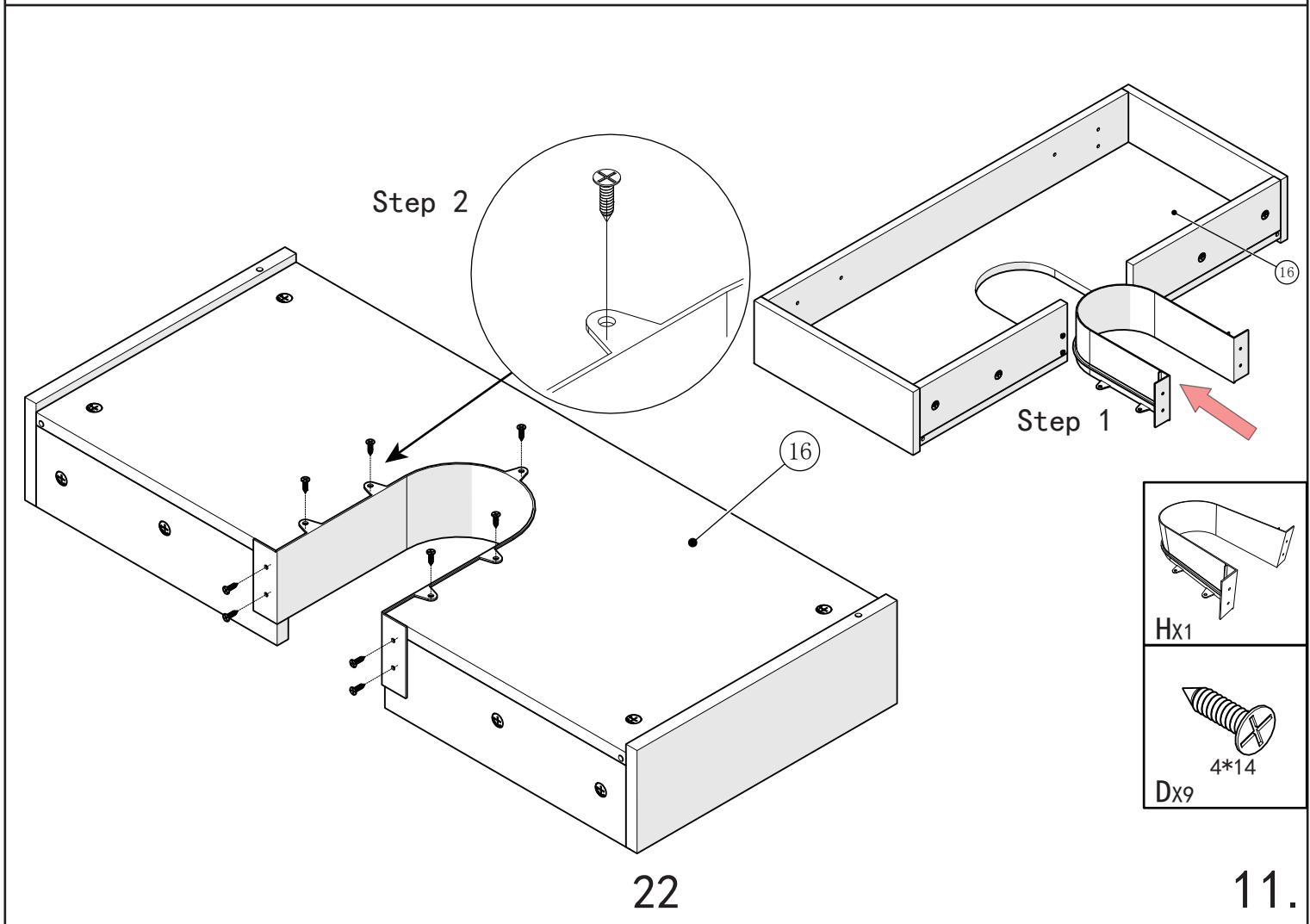
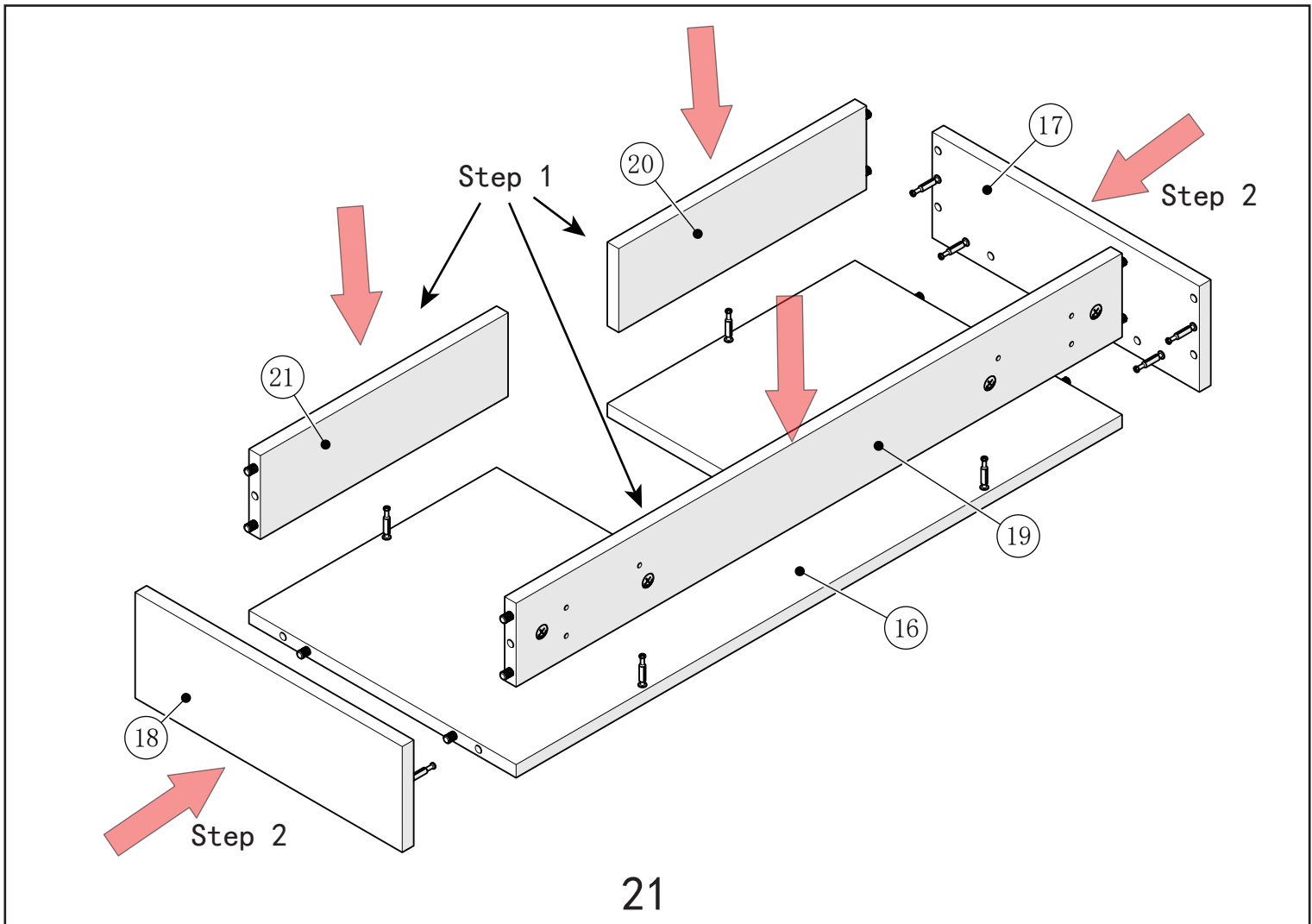


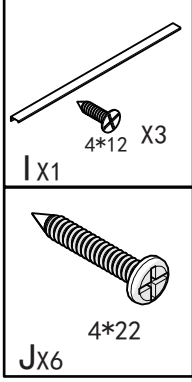
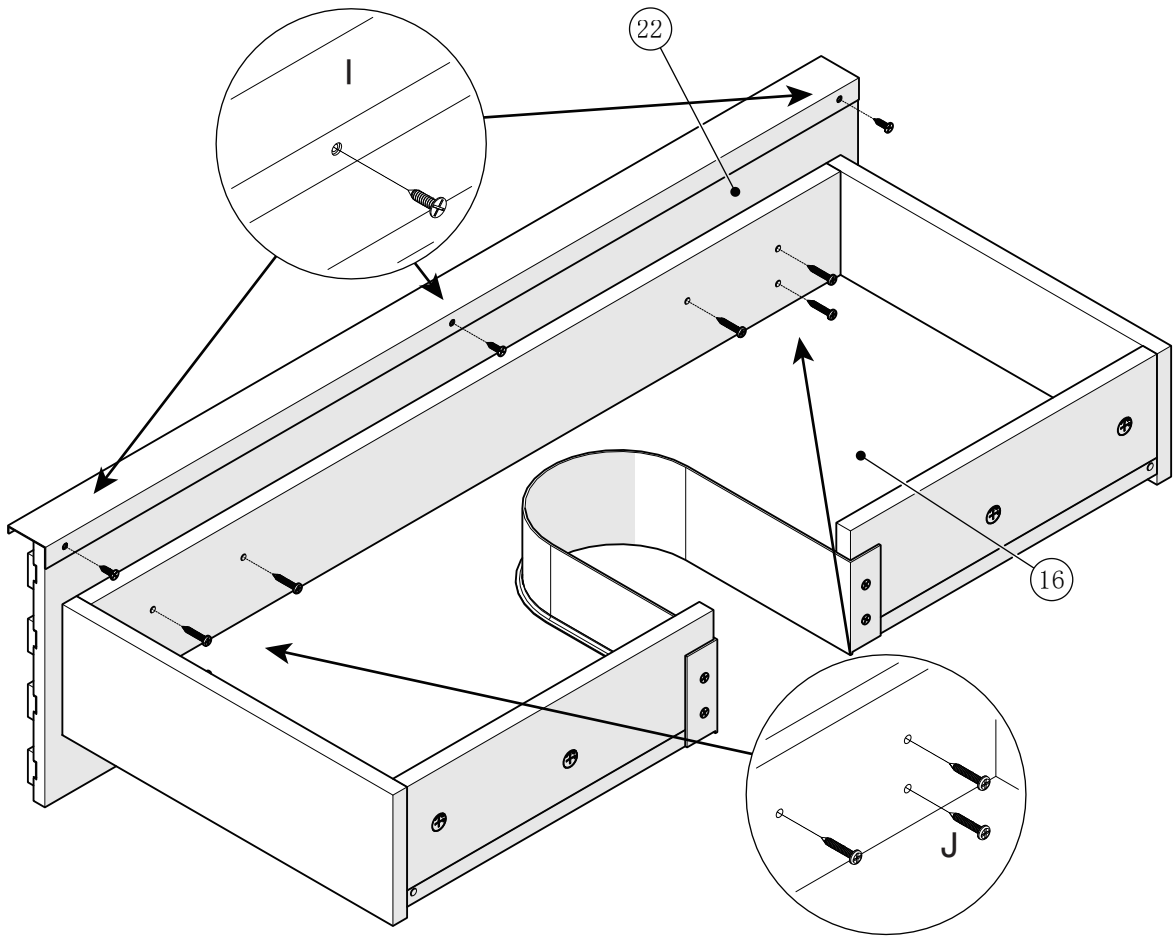
16

8.

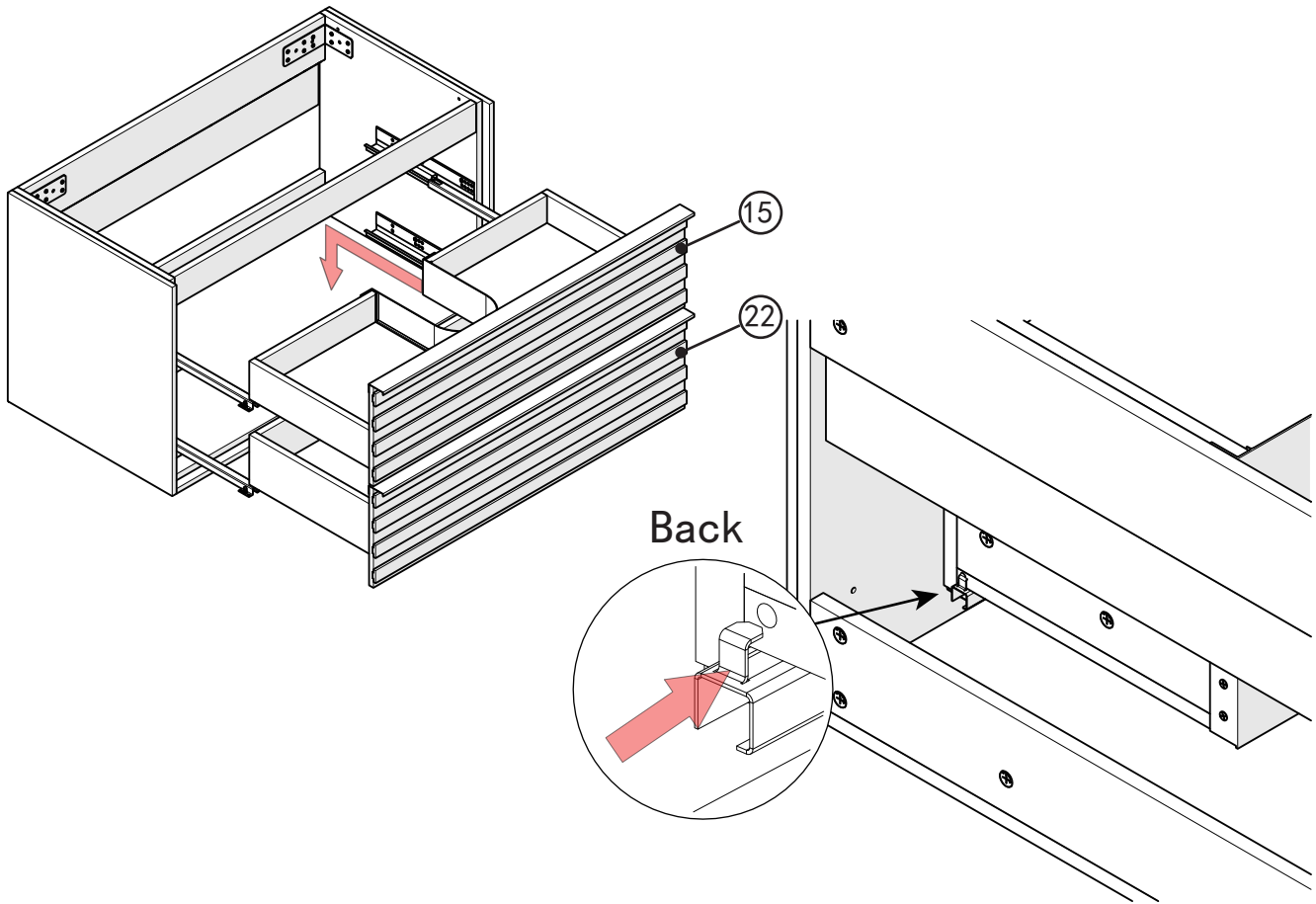






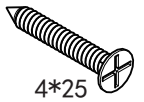
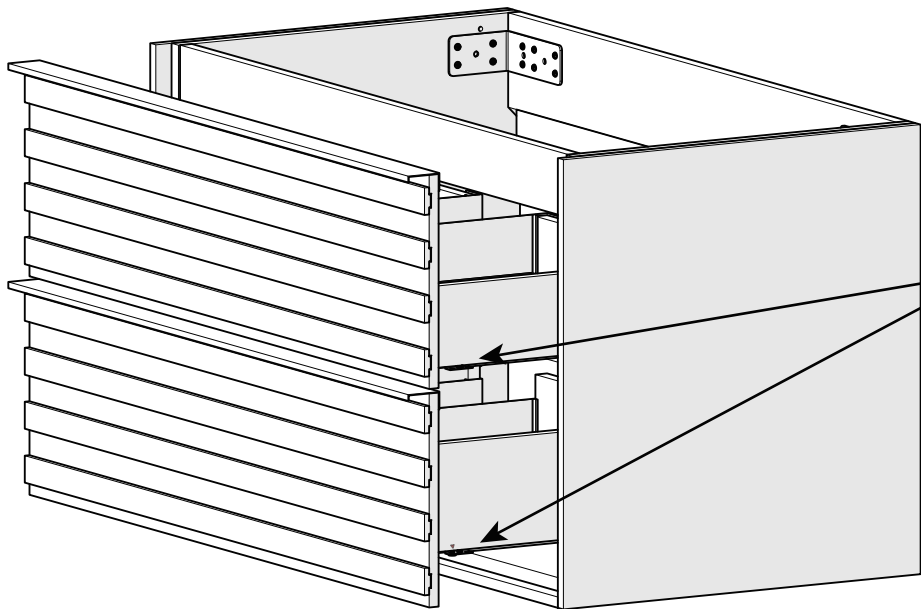


23



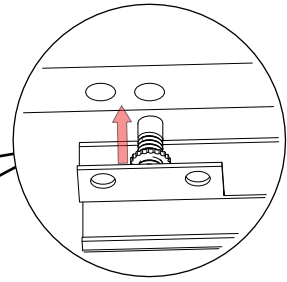
24

12.

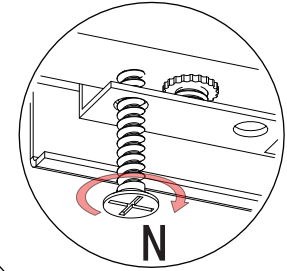


4\*25

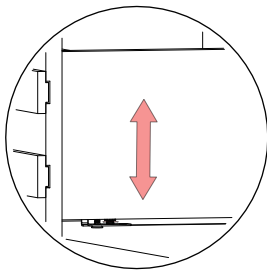
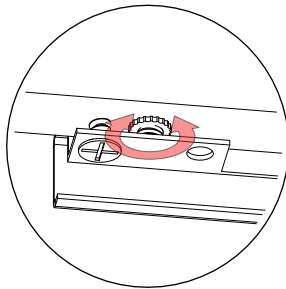
Nx4



Step 1



Step 2



25

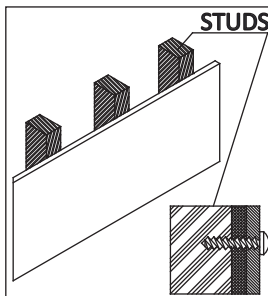
## 2. WALL CABINET INSTALLATION

### STEP 1: SELECT HARDWARE THAT IS BEST SUITED FOR YOUR WALL TYPE

**IMPORTANT:** USE "PAN HEAD" OR "ROUND HEAD" SCREWS WITH SEAT WASHERS. SEAT SCREWS TIGHTLY AGAINST BACK RAIL OR PANEL WITHOUT DRIVING INTO BACK RAIL OR PANEL MATERIAL.

### PASO 1: INSTALACION DE GABINETES, SELECCIONE LA HERRAJERIA QUE MAS SE ADECUA AL TIPO DE SU PARED.

**IMPORTANTE:** USA TORNILLOS DE "CABEZA PLANA BISELADA" O "CABEZA REDONDA" CON ARANDELAS DE ASENTO. COLOCA LOS TORNILLOS FIRMEMENTE CONTRA EL PANEL O EL RIEL. TRASERO SIN INSERTARLOS EN EL PANEL O EL RIEL

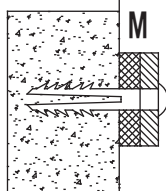


**STUDS**

**STUDS:** Secure to wall with #10 x 3" screws at stud location. Locate at least 2 wall studs

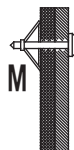
**MONTANTES:** Fjelo a la pared con tornillos de # 10 x 3 pulgadas en los montantes.

Use at least 4 wall anchors when installing a 24" and 30" cabinet. Use at least 6 wall anchors when installing a 36" and 48" cabinet.



**CONCRETE:** Drill 1/4" holes, insert #10 wall anchors and secure to wall with #10 x3" screws.

**CONCRETO:** Taladre orificios de 1/4 pulgada, inserte anclas de expansión de #10 y fjelo a la pared con tornillos de # 10 x 3 pulgadas.



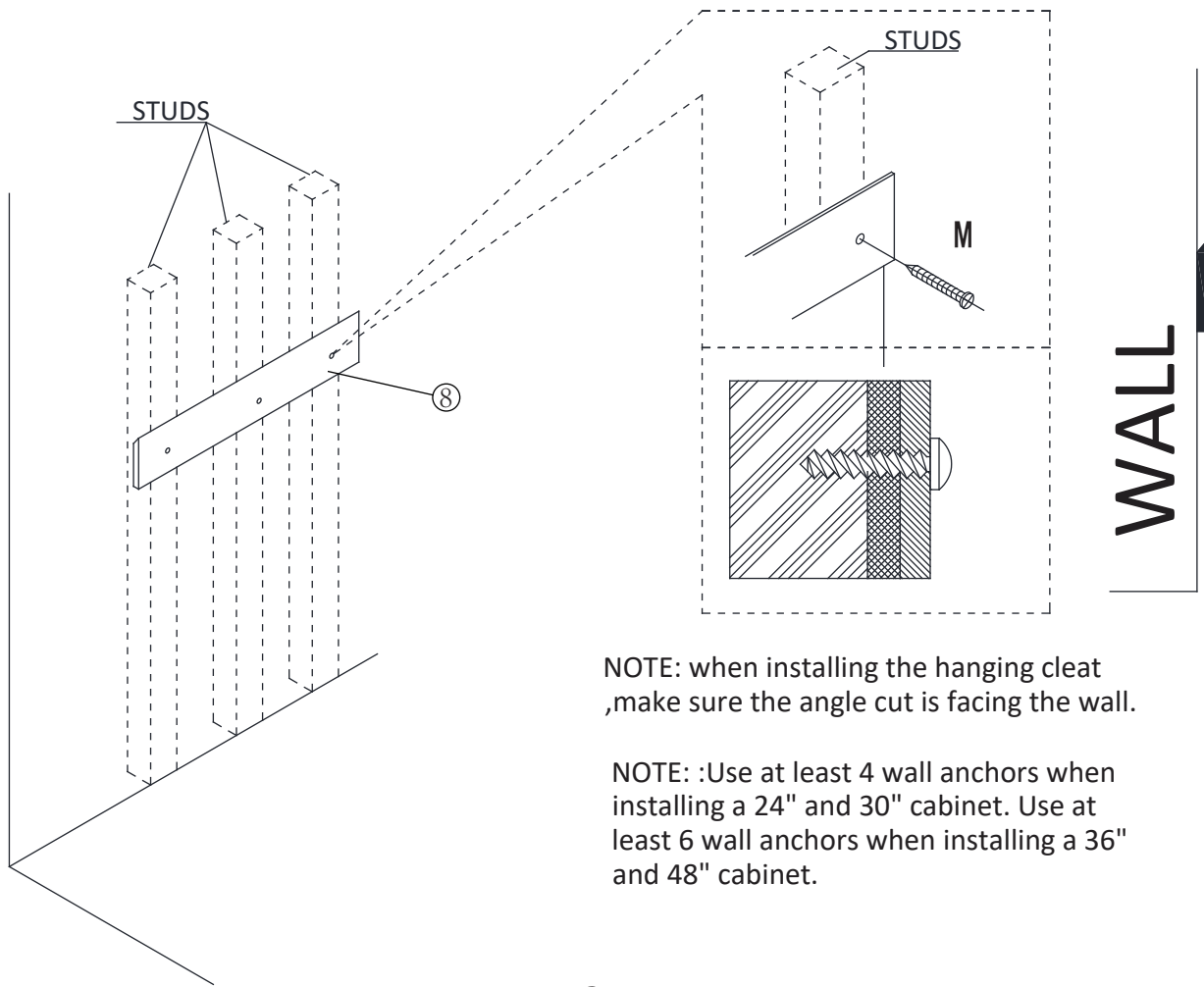
**DRYWALL:** Drill holes and secure to the wall with toggle bolts. Note: Use toggle bolts only when cabinet cannot be attached to a wall stud.

**PANEL DE YESO:** Taladre los orificios y fije la unidad a la pared con pernos acodillados.

Nota: Use pernos acodillados sólo cuando el gabinete no se pueda fijar a los montantes de pared.

26

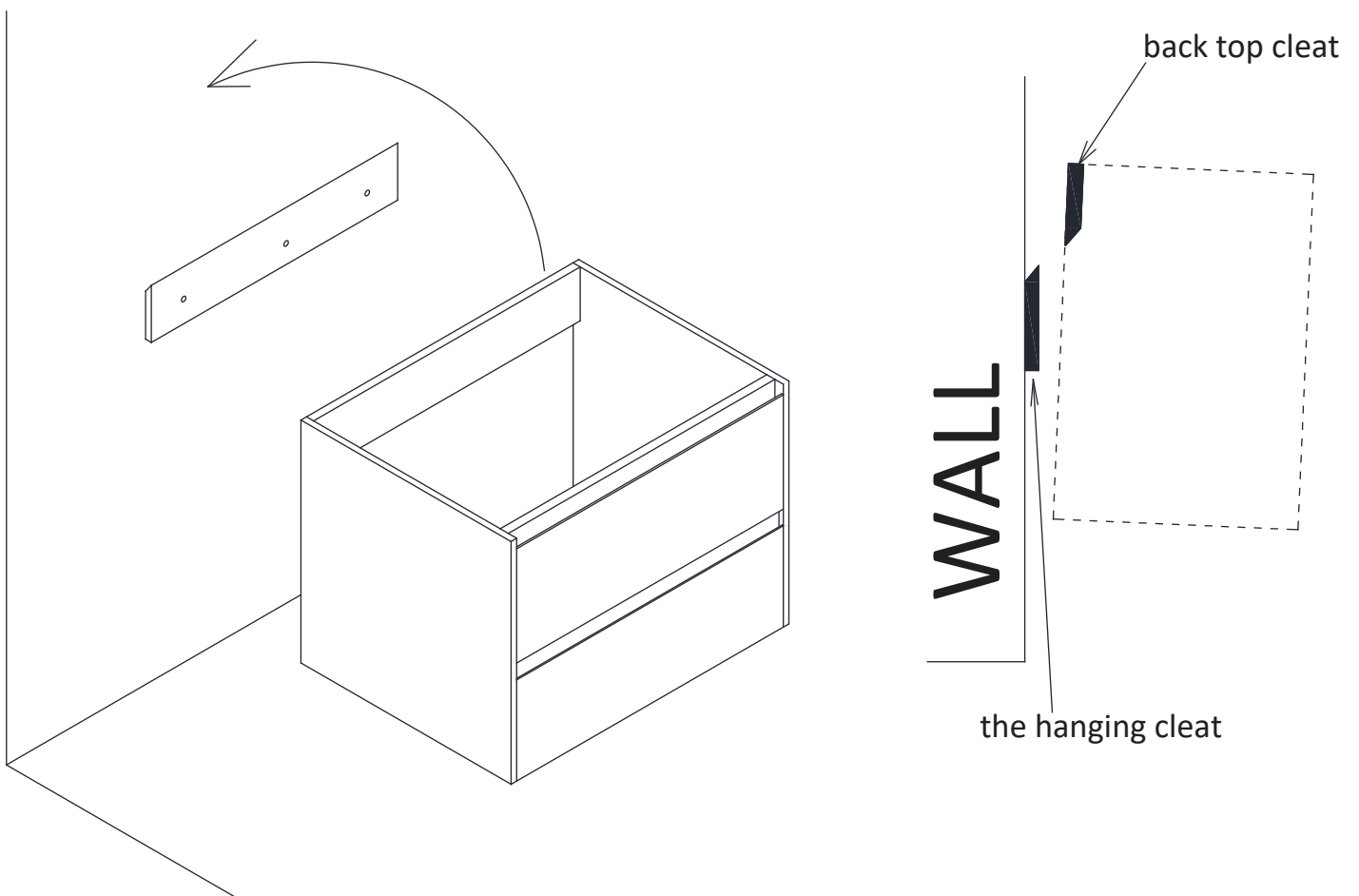
13.



NOTE: when installing the hanging cleat ,make sure the angle cut is facing the wall.

NOTE: :Use at least 4 wall anchors when installing a 24" and 30" cabinet. Use at least 6 wall anchors when installing a 36" and 48" cabinet.

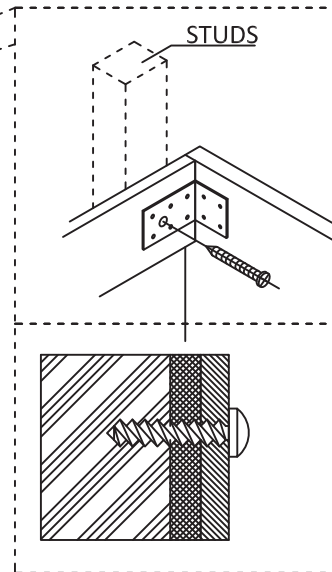
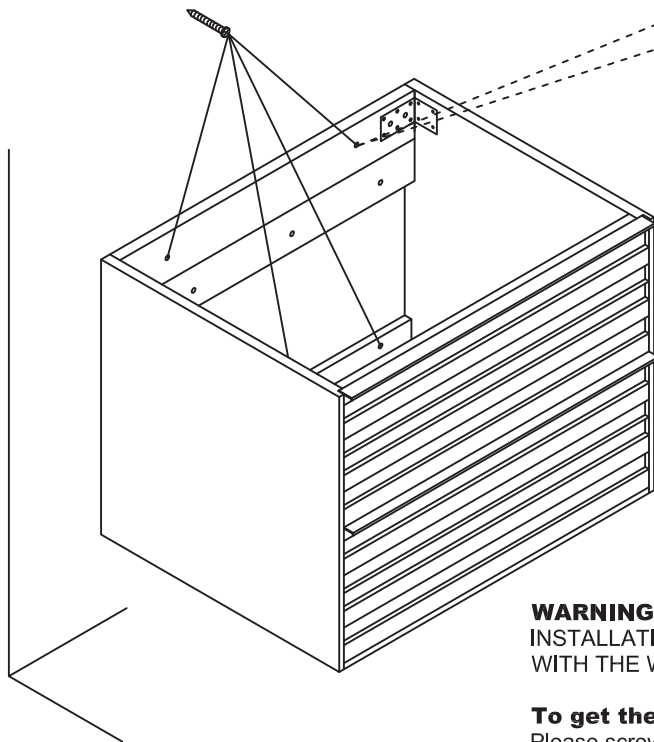
27



28

14.

M = 4 PCS



**WARNING:**  
INSTALLATION METHOD OF FLOATING VANITY HAS BIG RELATION WITH THE WALL STRUCTURE.

**To get the best installing effect, please follow as below:**  
Please screw through the "L" shape hanger if there is exactly wall stub behind the hanger.

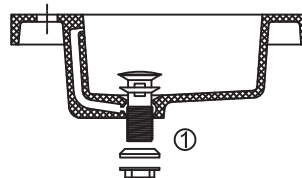
29

1. Install the faucet per manufacturer's installation instructions.

2. Hand tighten the pop-up drain with a wrench. Be careful not to over-tighten the pop-up drain. Over tightening may cause cracks on the marble top.

3. Set the vanity top on top of the vanity base, checking the location of the p-trap and drain.

4. Remove vanity top from vanity base. Apply a thin bead of silicone compound around the vanity base and set the vanity top carefully in place. Remove any excess silicone compound with a wet rag.

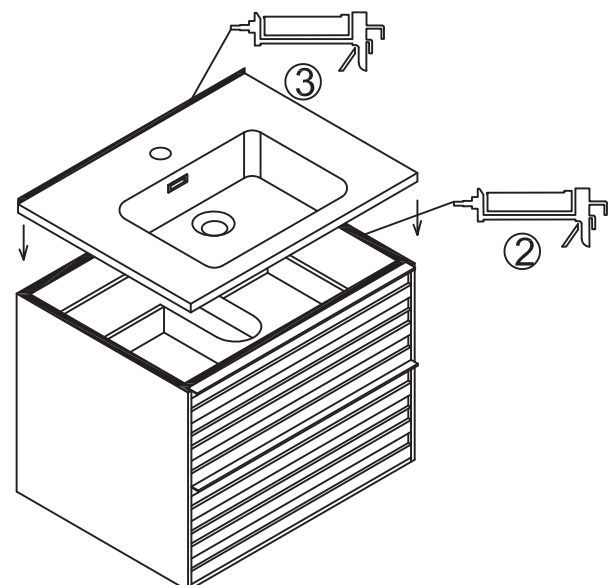


1. Instale las llaves de acuerdo con las instrucciones de instalación del fabricante.

2. Ajuste manualmente el tubo del drenaje con una llave apropiada. Tenga cuidado de no sobre apretar el tubo del drenaje pues ello puede ocasionar quebraduras en el lavabo.

3. Coloque el lavabo sobre la base del gabinete verificando la ubicación correcta de la trampa y el drenaje.

4. Remueva el lavabo sobre la base del gabinete. Aplique una capa delgada de silicona alrededor de la base del gabinete y vuelva a colocar cuidadosamente el lavabo. Remueva cualquier exceso del compuesto sellador con un trapo húmedo.



30

15.