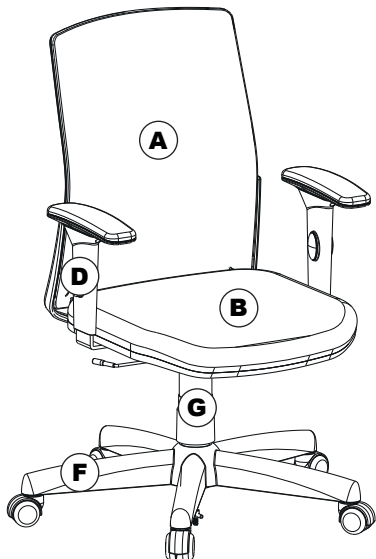


# Assembly Instructions

Model: Moov Light

## Product Parts

- A** Backrest (1x)
- B** Seat (1x)
- C** Mechanism (1x)
- D** Arms (2x)
- E** Column (1x)
- F** Base (1x)
- G** Telescopic Cover (1x)
- H** Screw NC Hexagonal ¼ x 22MM (4x)
- I** Screw NC Hexagonal ¼ x 19MM (4x)
- J** Screw Allen (3x)



Make sure that all components are properly tightened and fitted.



Maximum endurable capacity, evenly distributed

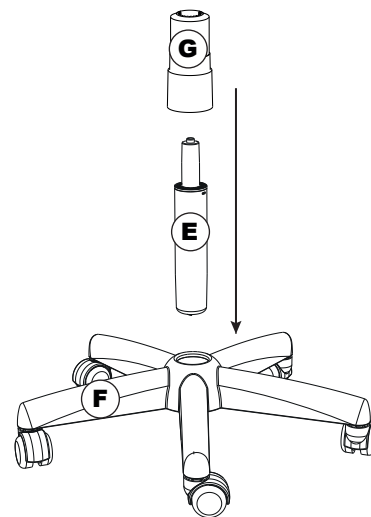


Key 11mm or 7/16"

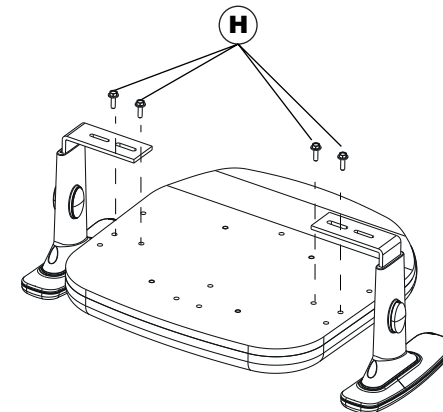


Key Allen 6

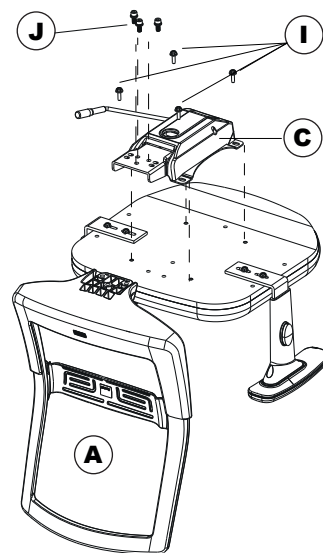
**1**



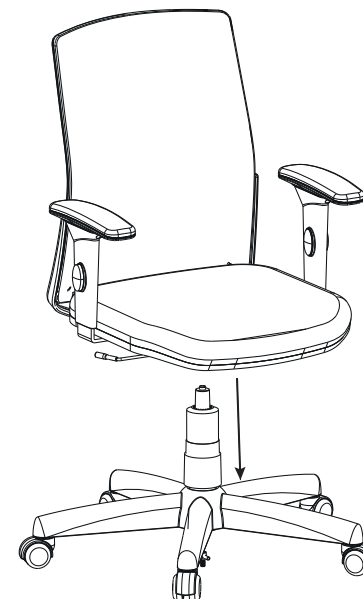
**2**



**3**



**4**



1- Fix the backrest A to the mechanism C through the screws J;  
2- After that, fix the backrest assembly + mechanism to seat B using screws I;