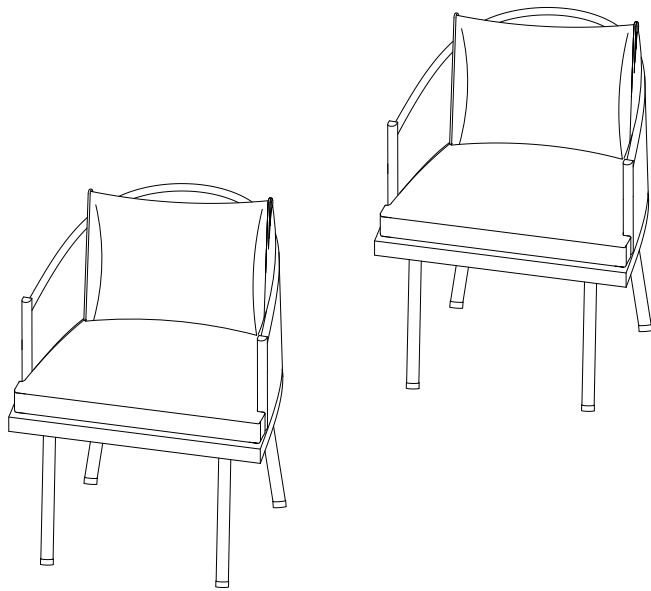


MANUAL INSTRUCTION

Two Dining Chairs



ATTENTION

1. Please check the manual carefully and make sure you have received all the parts.
2. If there is any missing, please let us know the letter of the parts you need.
3. If there is any damage, please send clear photos to us, we will check and offer you best solution soon.

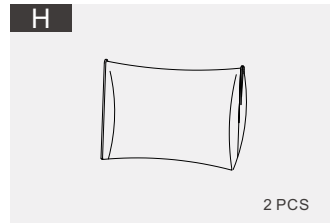
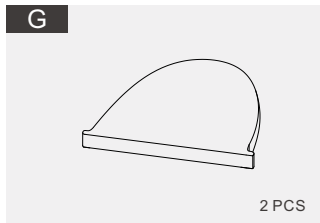
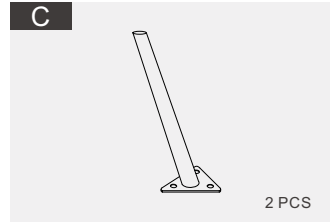
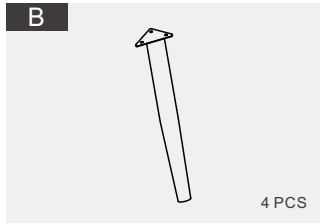
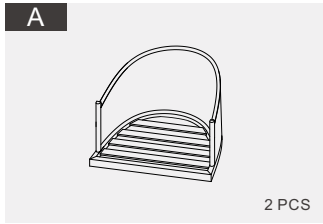
⚠️ WARRANTY AND RETURN

- We offer 1 year warranty and free replacement for all damaged or defective parts you received. Check the condition of your package once upon the delivery.
- If you have any questions, please contact our customer service immediately.

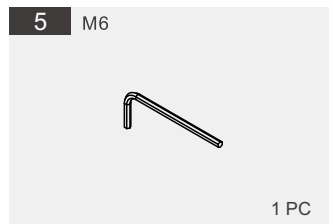
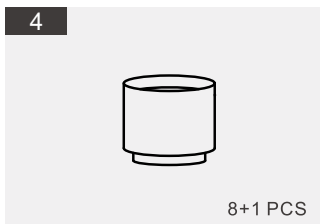
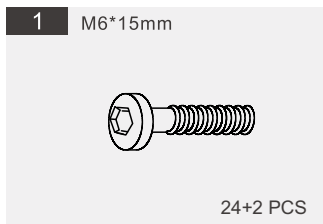
📞 CONTACT INFORMATION

- If you order our product on Amazon /Walmart /Wayfair etc. Please log in your Amazon/Walmart/Wayfair account to contact us.
- If you order our product on Shopify, please contact us at service @meissalivve.com, our service team will reply within 24 hours.

PARTS Packing List of The Box



HARDWARE



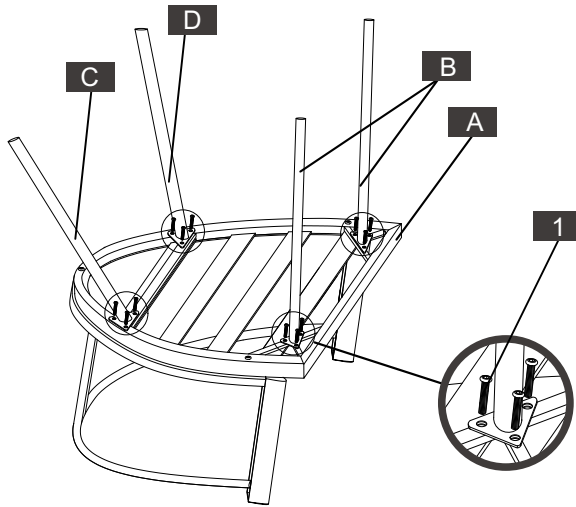
I PRODUCT ASSEMBLY




Dining Chair Assembly





DO not use machine

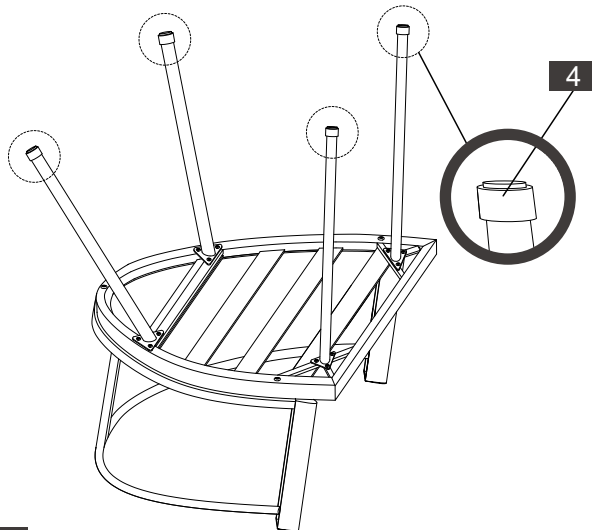
1




PART	NO.	QTY.
	A	1
	B	2
	C	1

PART	NO.	QTY.
	D	1
	1	12

2



PART	NO.	QTY.
	4	4

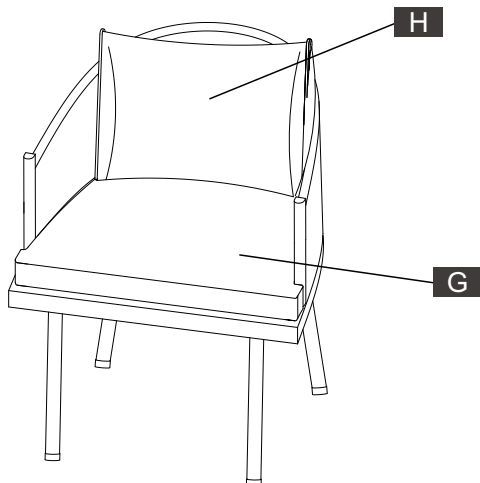
I PRODUCT ASSEMBLY



Dining Chair Assembly

3



DO not use machine



PART	NO.	QTY.
	G	1
	H	1