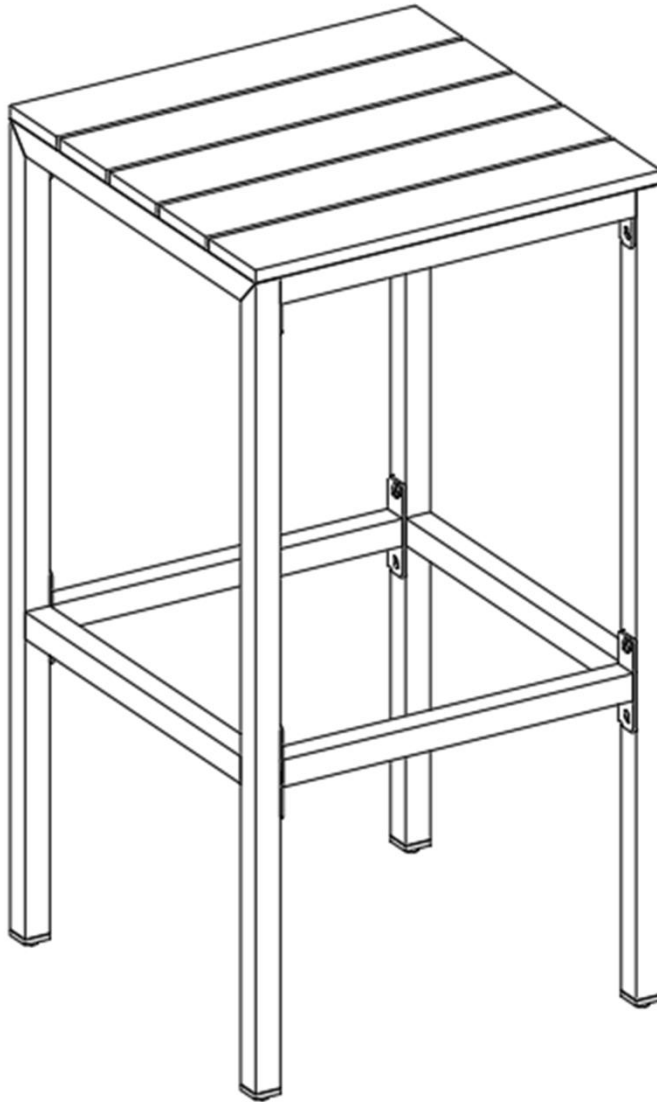


Assembly Instructions

Caution: You must read this before you proceed

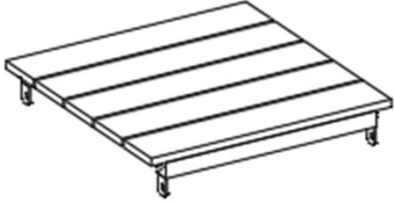
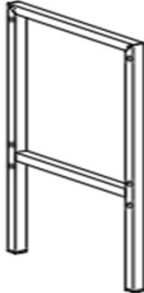
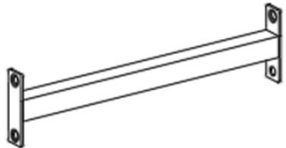
Please look in the Seat Panel for Hardware packs.

BARSTOOL

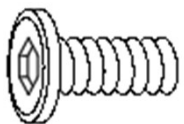




CAUTION: This Barstool is NOT a TOY. Keep your child / children at bay during the process of assembly. For turning the Barstool and to prevent damage to the Barstool, 2 people may be needed to execute this action.

Part List

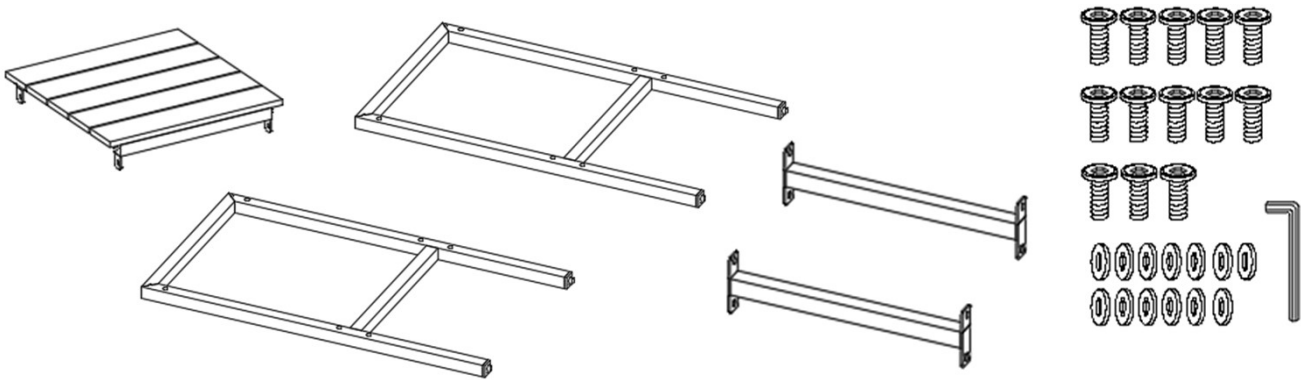
Label	Picture	Description	Qty
A		Seat Panel	1
B		Leg Panel	2
C		Support Bar	2

Hardware

Label	Picture	Description	Qty
①		Bolts (M6x20mm)	13
②		Flat Washer (M6.5/16x1mm)	13
③		Allen Key	1

Assembly Preparation

Before Beginning Assembly:



Read instructions, cover to cover.



Have 2 adults on hand for assembly.



Do not assemble on flooring or carpet.



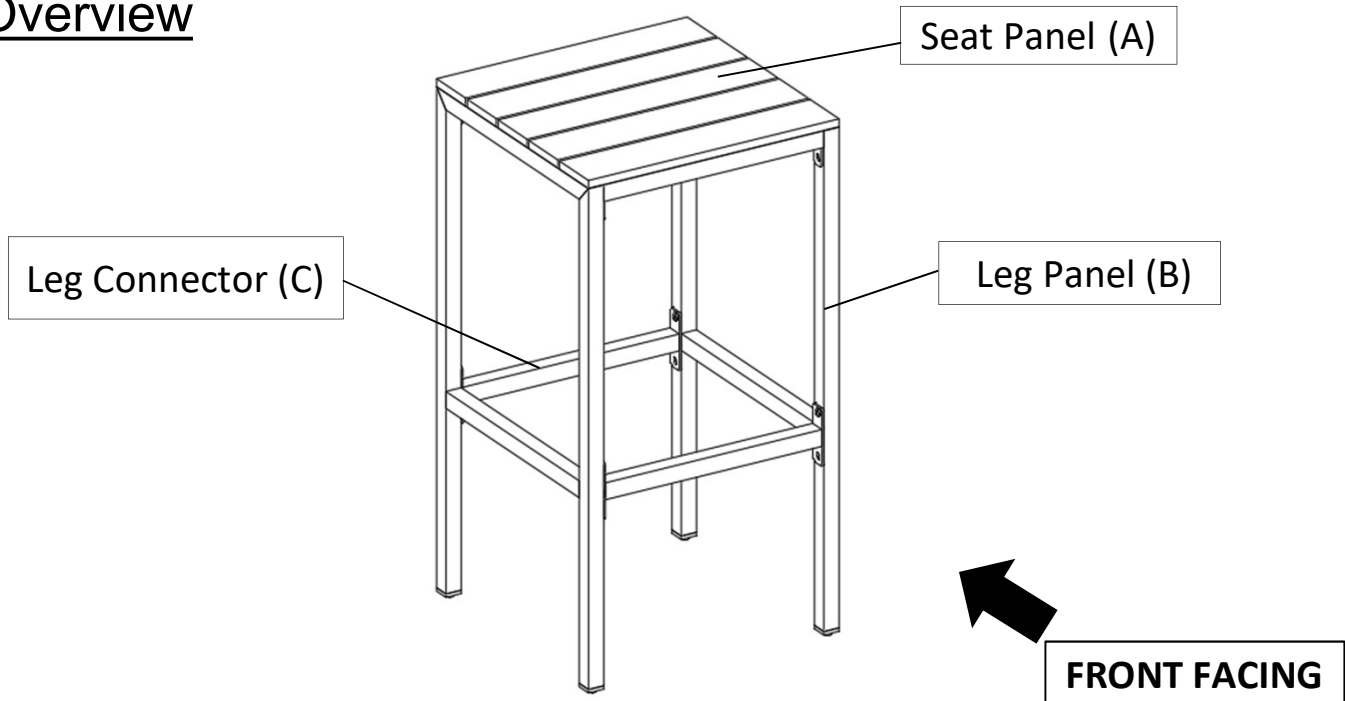
Assemble on a clean non-marring surface (packing foam).



Save all packaging until finished.

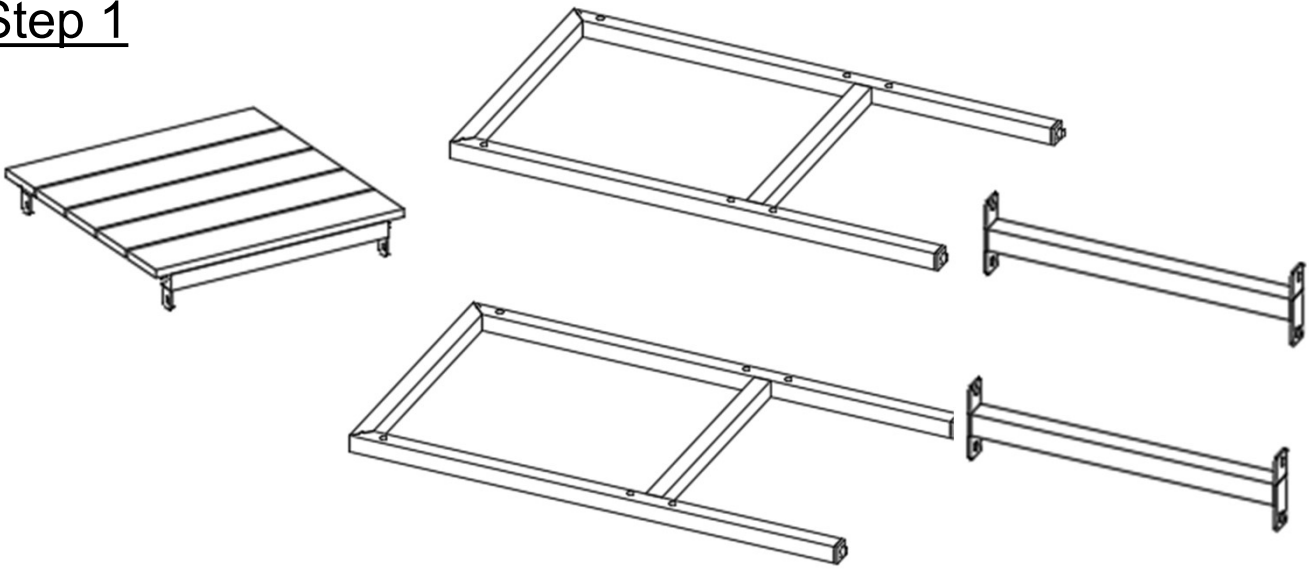
Assembly Steps

Overview



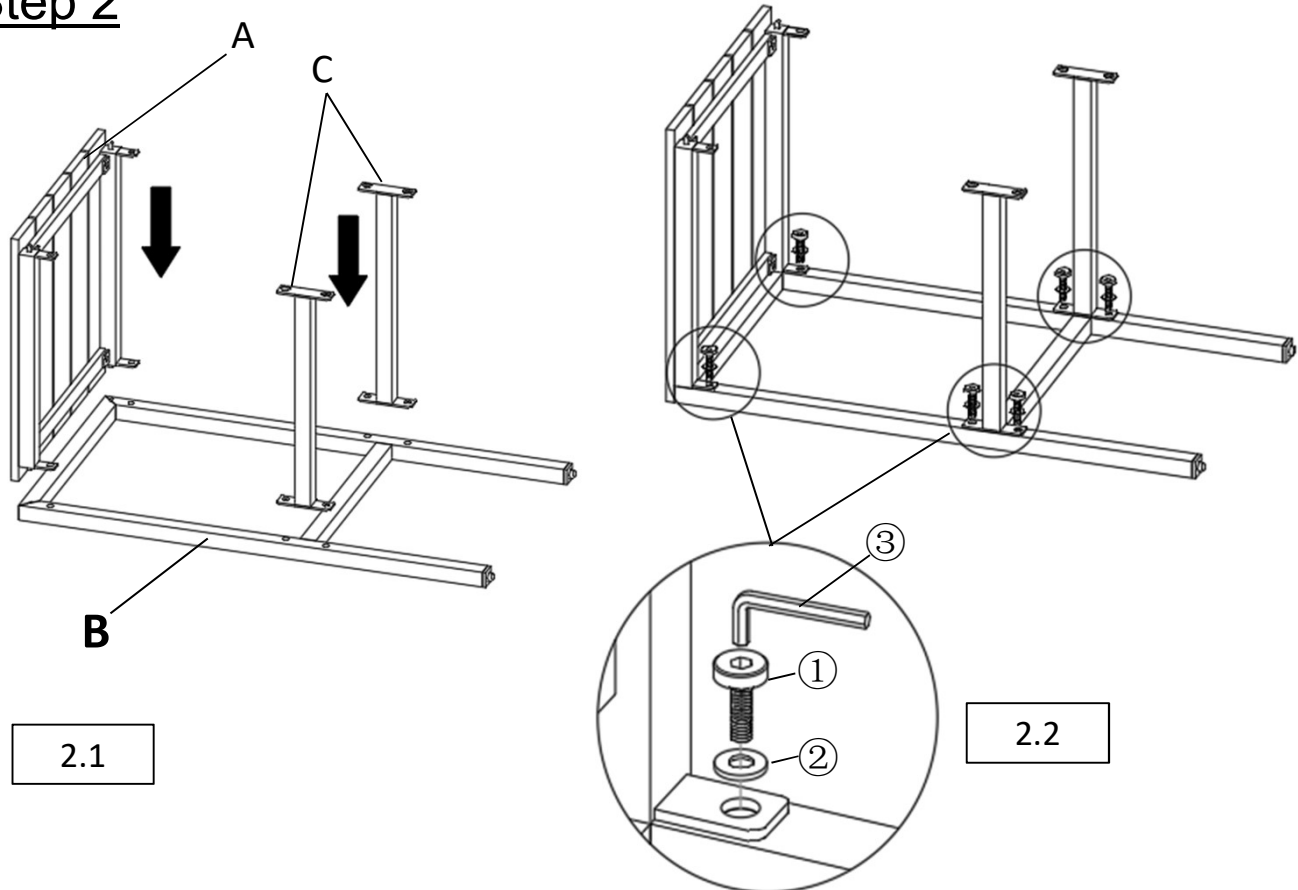
This Barstool has multiple parts and may require up to 30 minutes to assemble. To give you an overview of the Barstool parts, the above picture is to help you put the various parts into perspective. Please read through the instructions below to familiarise yourself with the parts and steps before assembly.

Step 1



Unpack and place all parts on a clean, non-marring surface.

Step 2

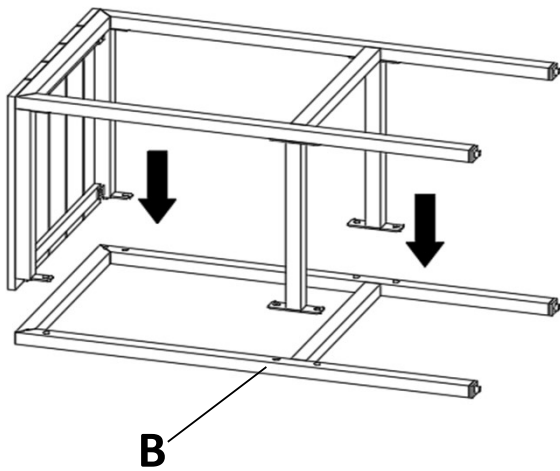


2.1) Attach the Seat Panel (A) and the Support Bar (C) onto the Leg Panel(B) as shown in the above picture.

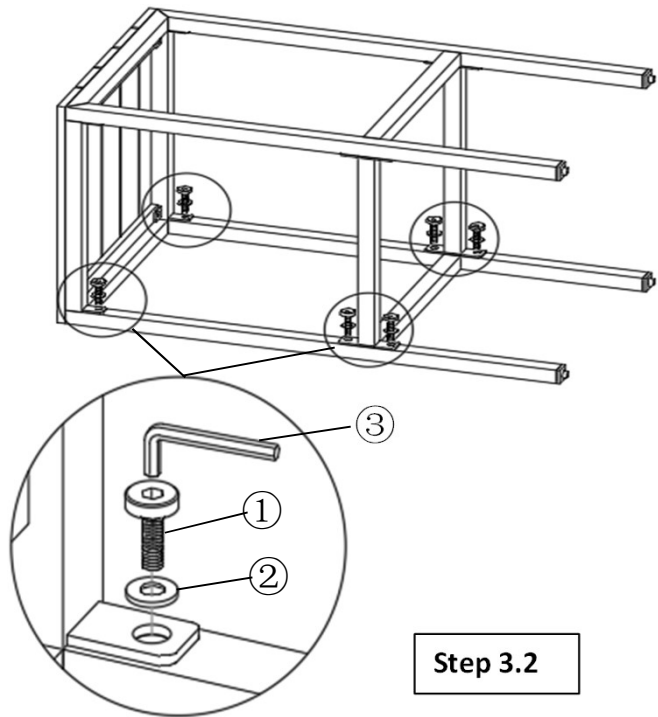
2.2) Secure the Seat Panel (A) and the Support Bar (C) to the Leg Panel (B) using Bolts (①) and Washers (②) with the Allen Key (③) as shown in above picture.

Do not fully tighten the Bolts.

Step 3



Step 3.1



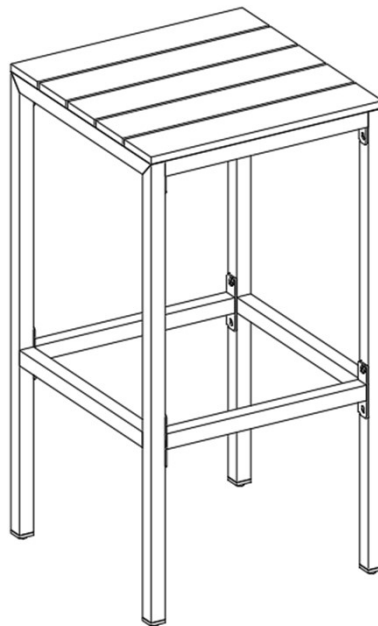
Step 3.2

3.1) Place the rest Leg Panel (B) onto the clean, non-marring surface. Then attach the assembled part in step 2 to it as shown above.

3.2) Secure the Seat Panel (A) and Support Bar (C) to the Leg Panel (B) using Bolts (①) and Washers (②) with Allen Key (③) as shown in the above picture.

Do not fully tighten the Bolts.

Step 4



Stand the Barstool up with assistance from your adult partner.

Exert pressure floorwards onto the Barstool with both your hands.

This pressure will help the Legs and Barstool reach full alignment status.

Check for wobbles on a LEVEL surface.










If no wobbles are found, proceed to tighten the Bolts in a sequential manner, until evenly secured.


When tightening the Bolts, tighten sequentially.

Do not tighten any Bolt fully and then move on towards the next one.

If the Barstool wobbles after tightening, loosen the Bolts and execute the same above process again.

Care & Maintenance

- ⊘  ● Prolonged exposure to rain may cause rusting which can stain floors.
- ⊘  ● Do not put hot items directly on furniture surface.
- ⊘  ● Do not clean furniture with harsh cleansers or polish.
- ✓  ● To obtain the longest lifespan of your outdoor products, minimizing exposure to direct sunlight is recommended.
- ⊘  ● Children should not climb or jump on the furniture.
- ⊘  ● Do not write on furniture without a padded barrier to protect the surface.
- ✓  ● To obtain the longest lifespan of your outdoor products, avoid extended and lengthy exposure to rain, snow, and direct sunshine. Whenever possible cover the product and /or place under patio or awnings.
- ⊘  ● Not for commercial use. For residential use only.
- ⊘  ● Stains may be removed with mild soap solution and damp cloth.

- ✓  ● Dust and pick-up spills using a clean, non-colored, lint-free cloth.