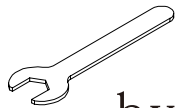


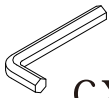
6x30mm



ax14



bx1



cx1

4x12mm



dx6

6x11mm



ex4



fx8



gx6



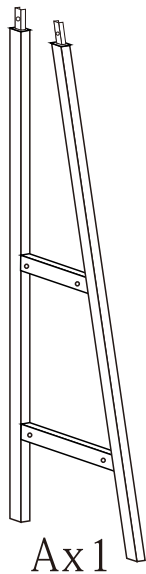
hx1



ix2



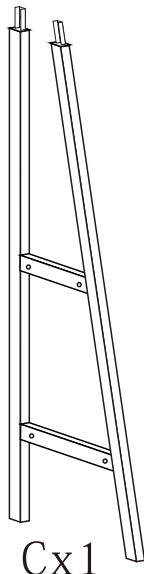
jx2



Ax1



Bx1



Cx1



Dx1



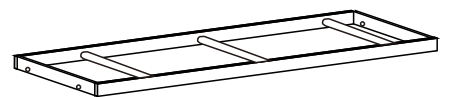
Ex1



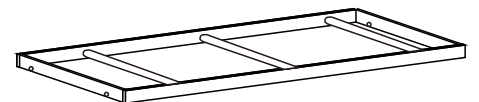
Fx1



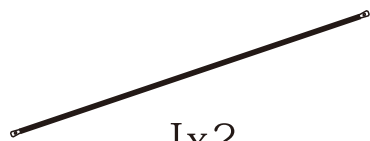
Gx1



Hx1



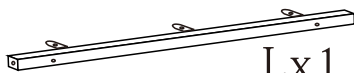
Ix1



Jx2



Kx1

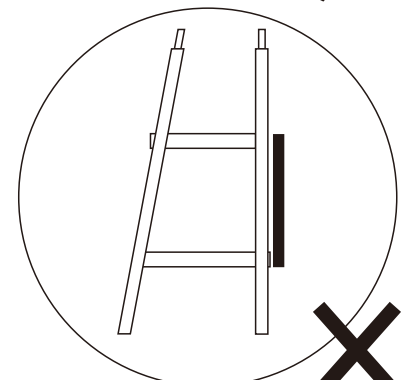
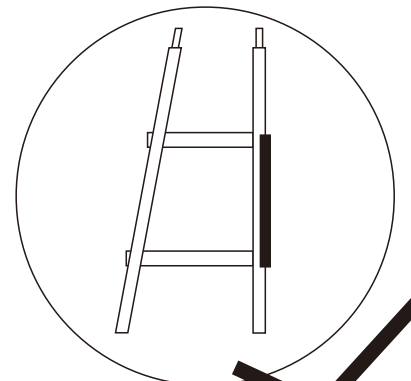
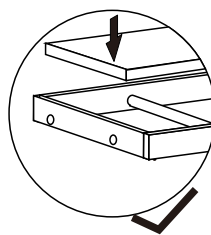
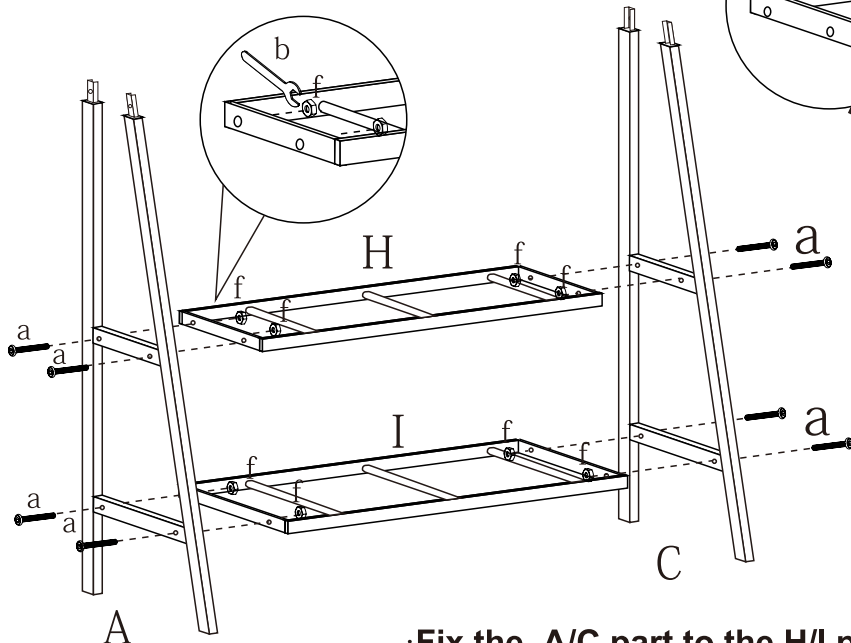


Lx1



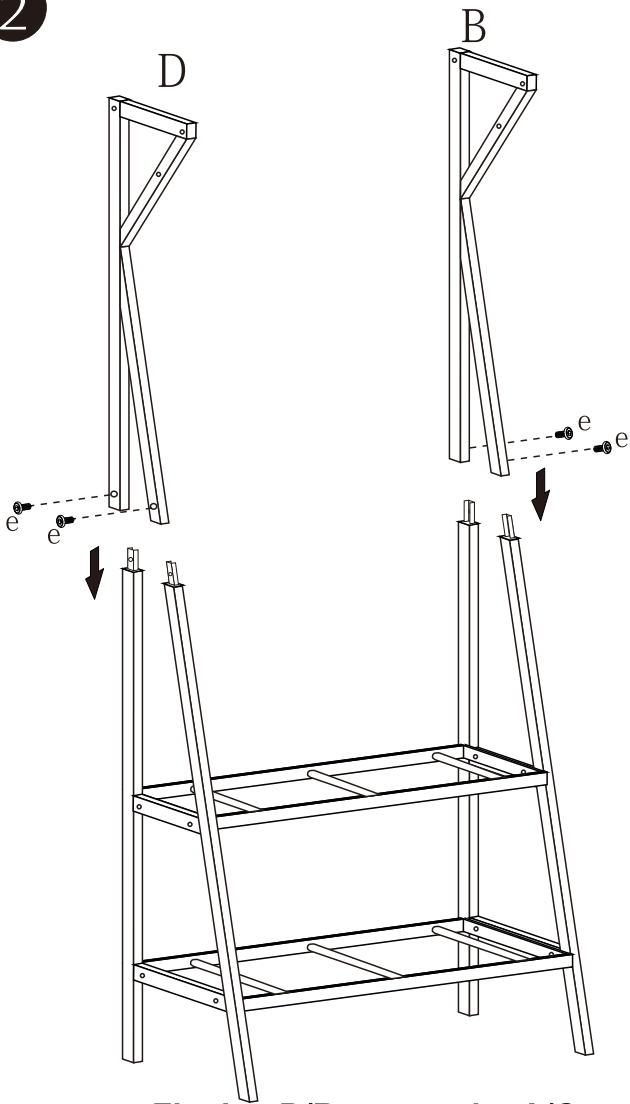
Mx1

1



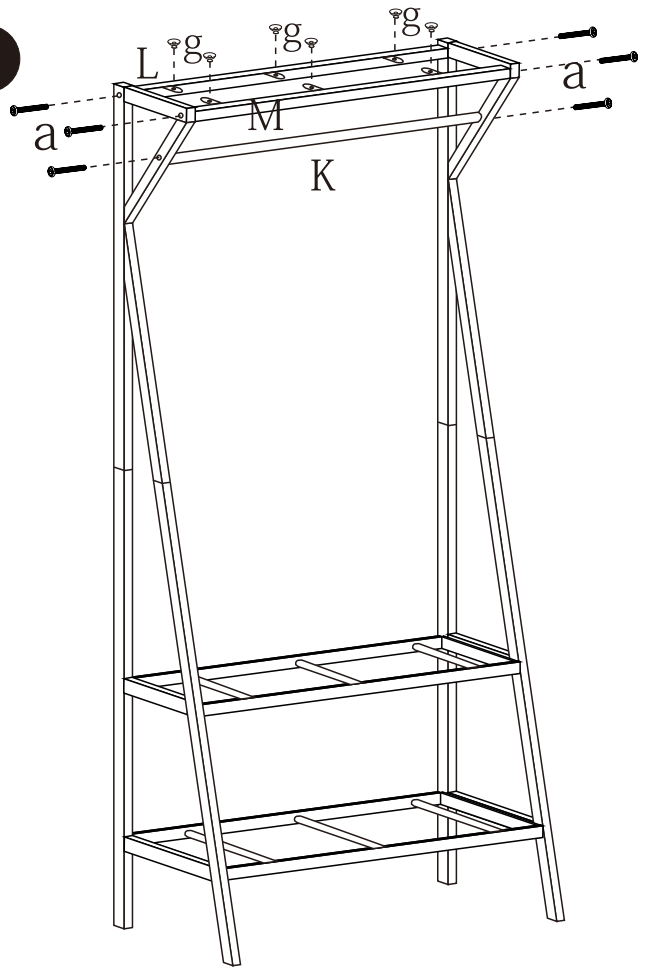
·Fix the A/C part to the H/I part with the hardware a/f.

2



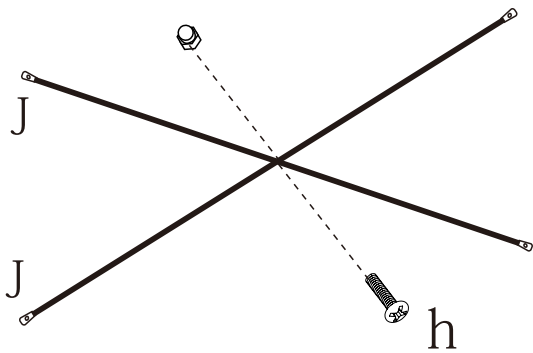
·Fix the D/B part to the A/C part with the hardware e.

3



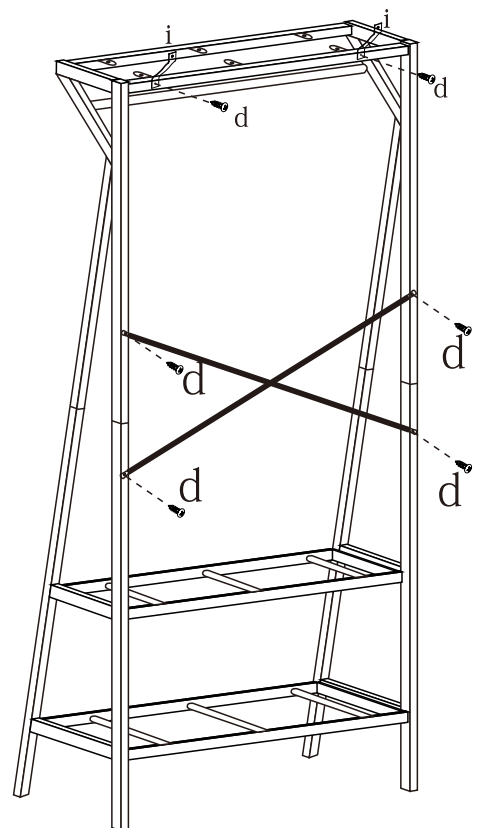
·Fix the L/M/K part to the D/B part with the hardware a/g.

4



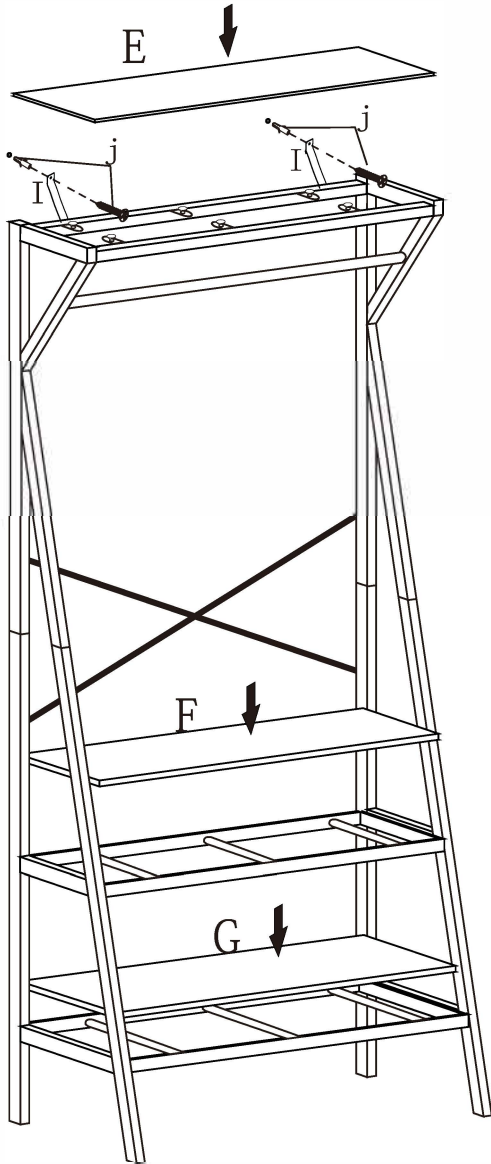
·Screw part h and part J together.

5



·Fix the i part to the M part with the hardware d.
·Fix the J part to the A/C part with the hardware d.

6



· Screw part J/I and part W all together.

7

