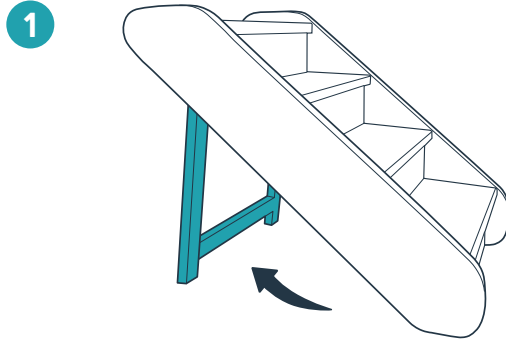


Get started!



FOLDING WOOD PET STEPS

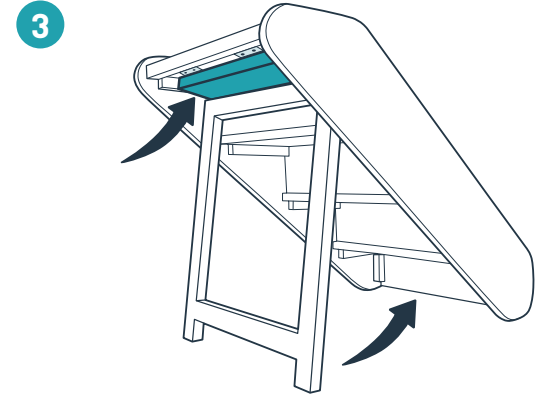
Let's make home sweet home even sweeter.



To unfold the steps, pull back on the leg until it locks into place.



Offer treats to gently encourage your pet to practice walking up and down. With a little patience and lots of praise, your pet will soon be happy using the steps on his own!



To fold the steps for storage, press up on the hinged panel above the leg and fold the leg under the steps.