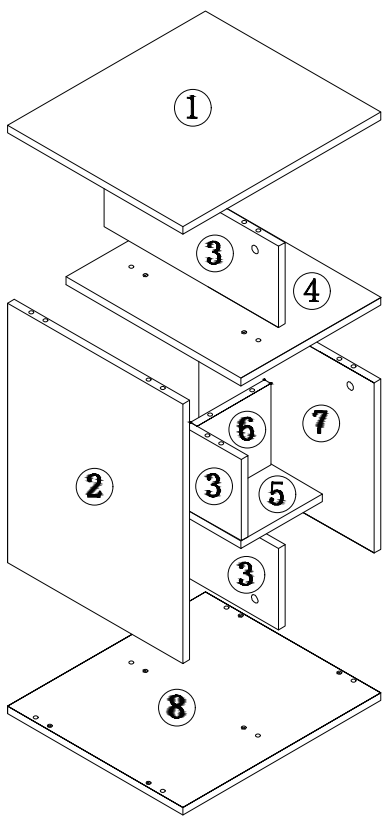
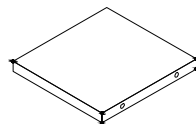


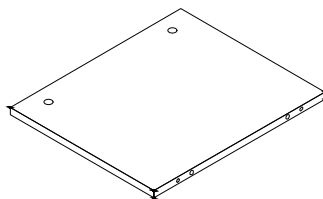
ASSEMBLY INSTRUCTION



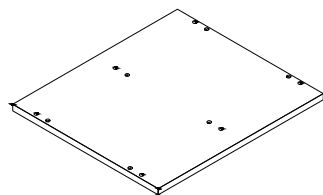
⑥ x 1



⑦ x 1



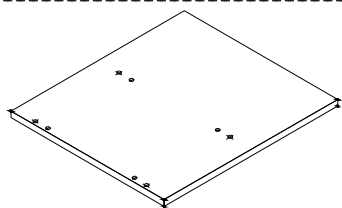
⑧ x 1



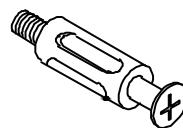
A x 10



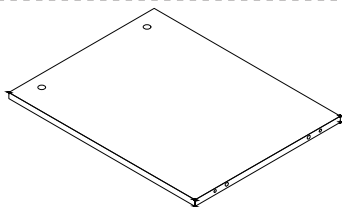
① x 1



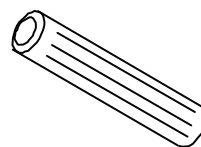
B x 10



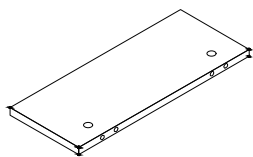
② x 1



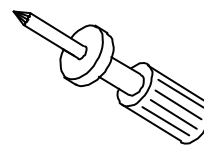
C x 22



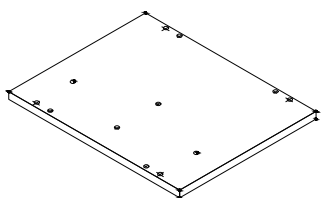
③ x 3



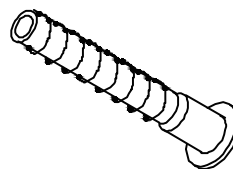
D x 1



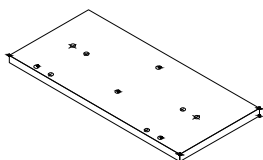
④ x 1



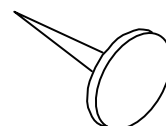
E x 12



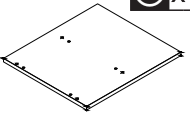
⑤ x 1



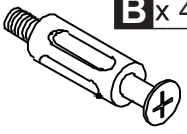
F x 5



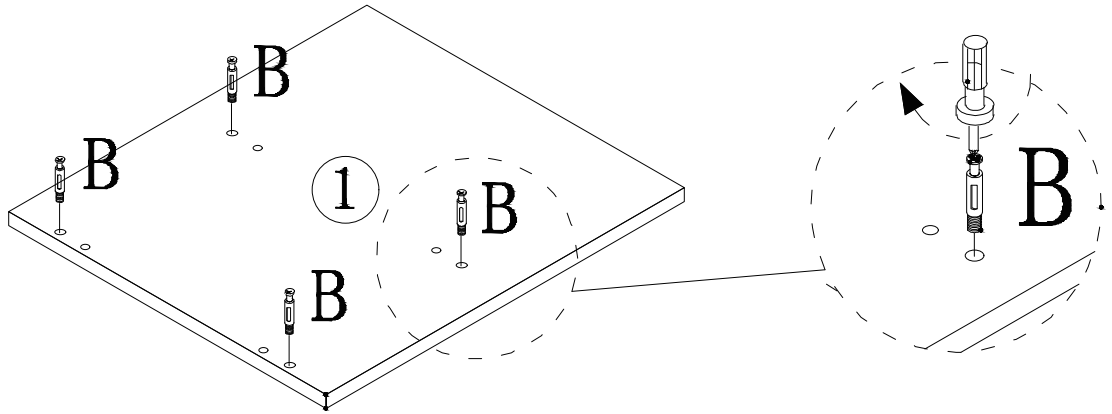
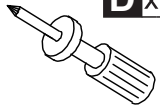
① x 1



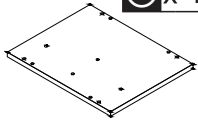
B x 4



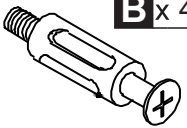
D x 1



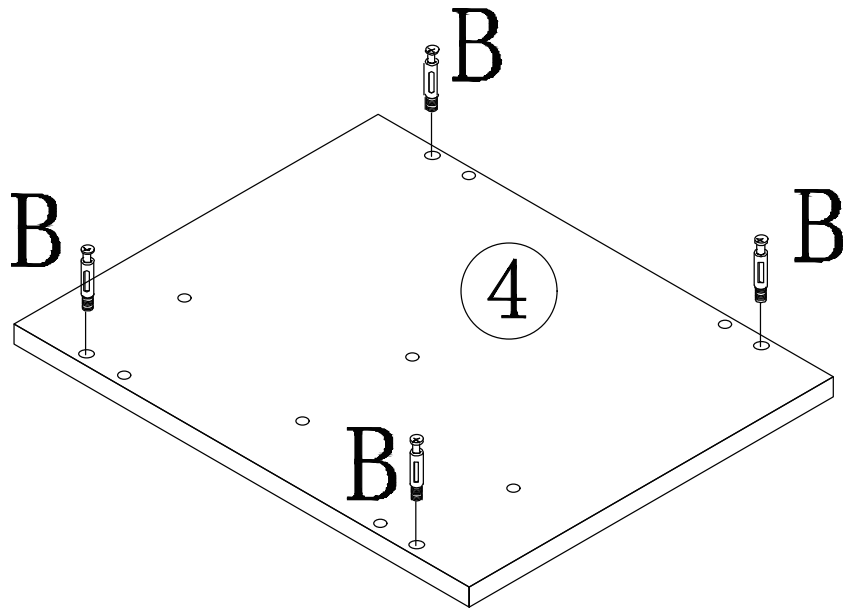
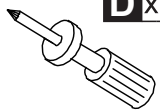
④ x 1



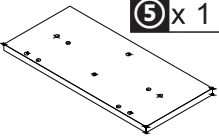
B x 4



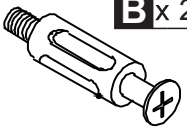
D x 1



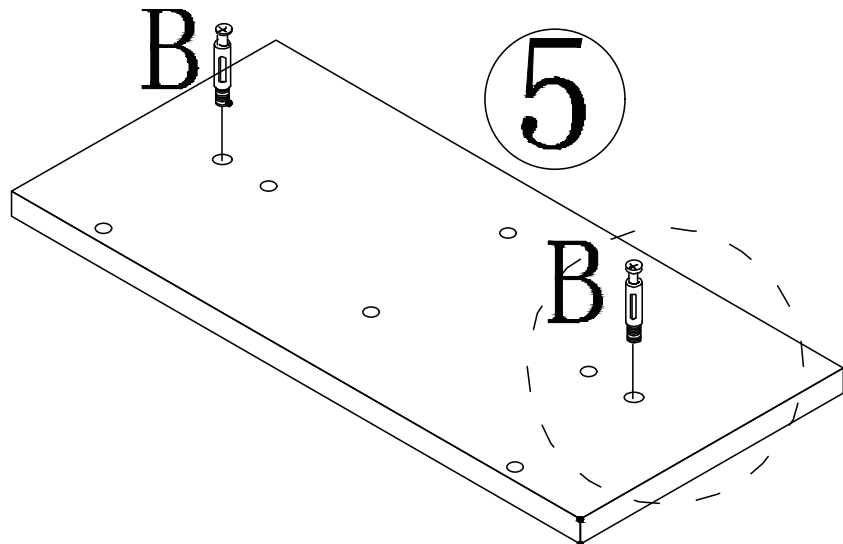
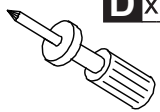
⑤ x 1

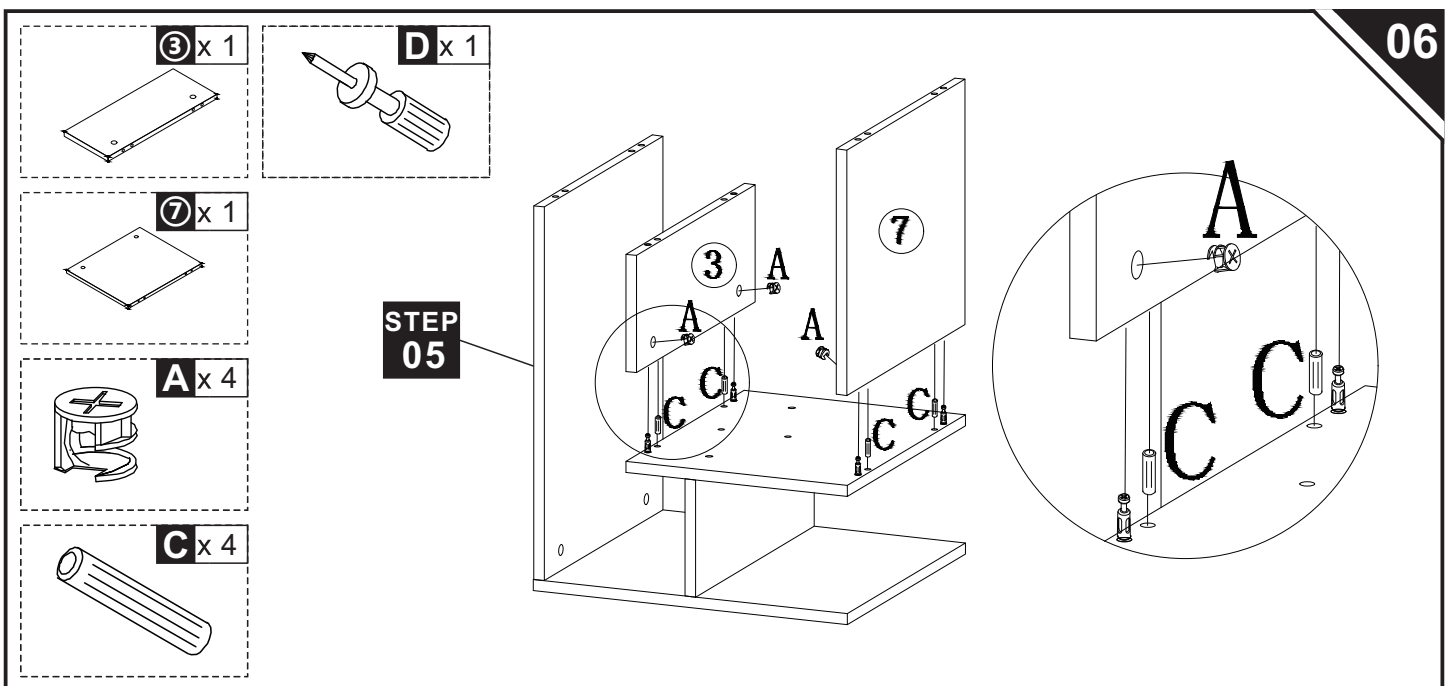
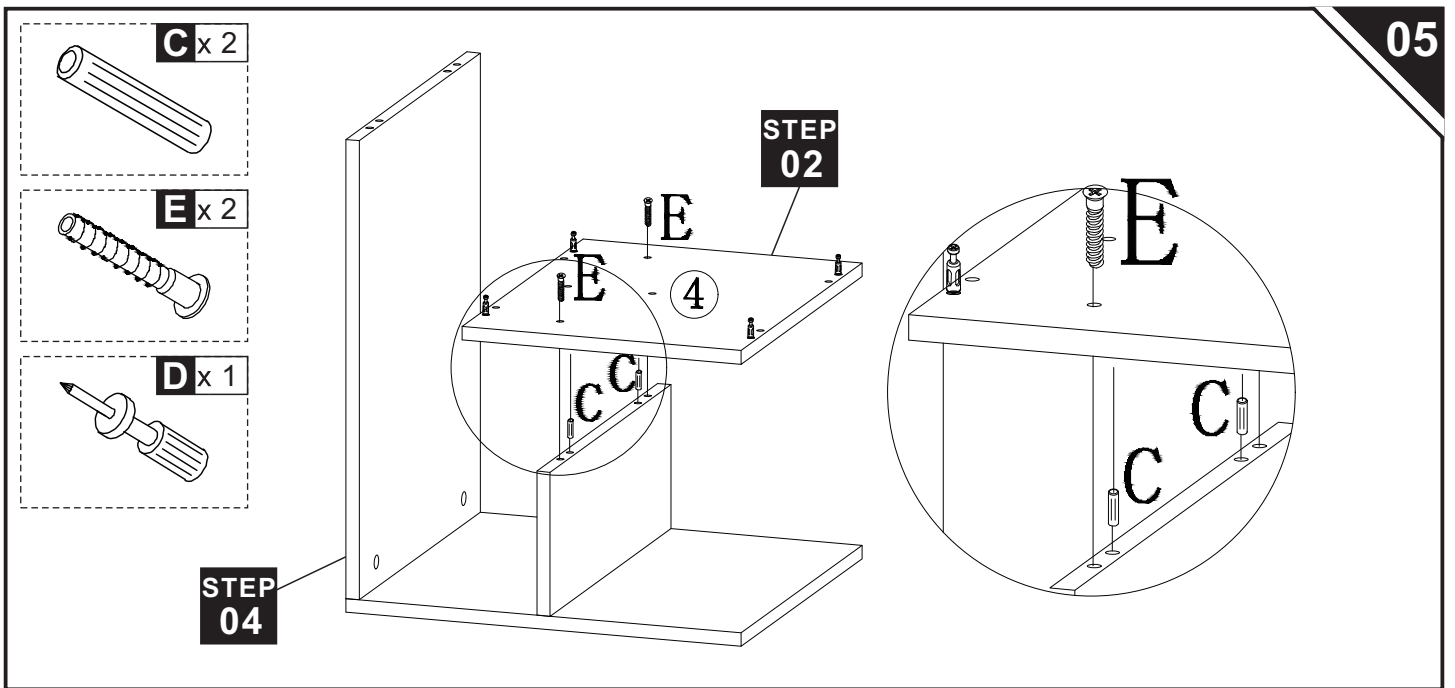
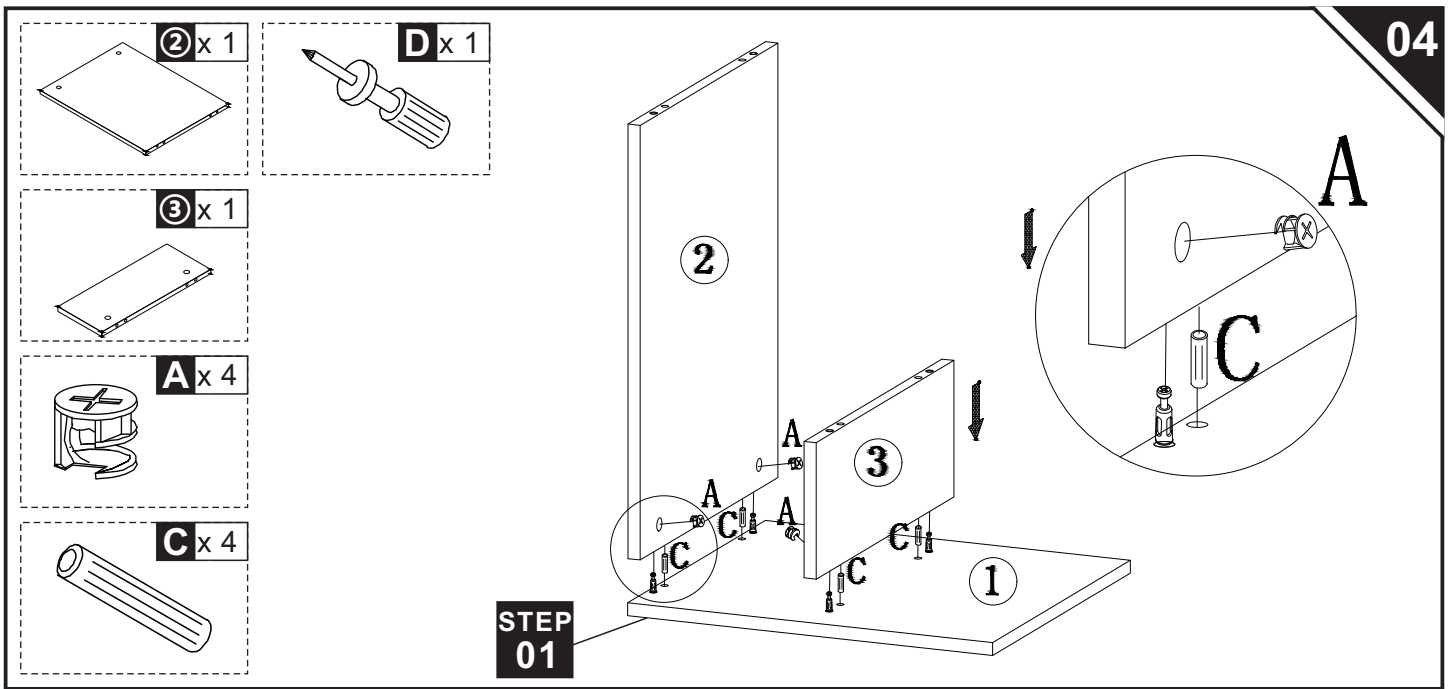


B x 2

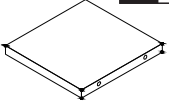


D x 1

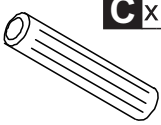




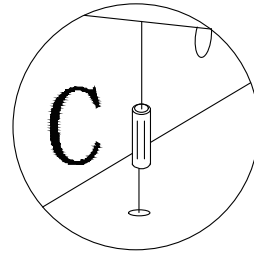
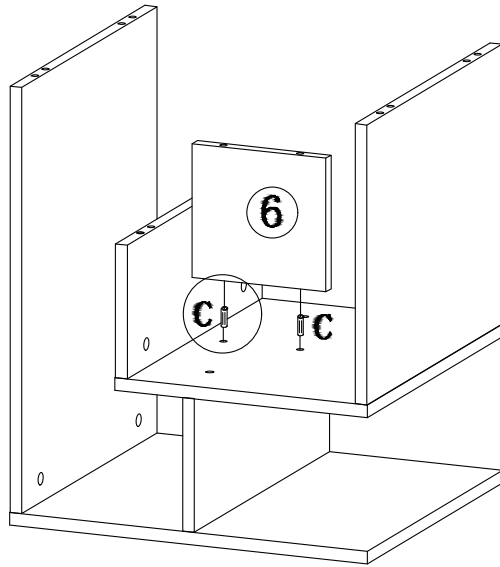
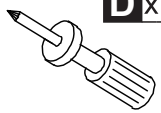
⑥ x 1



C x 2

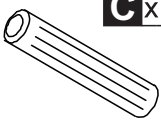


D x 1

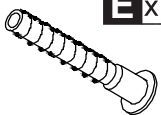


STEP 06

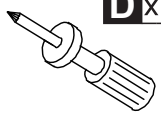
C x 2



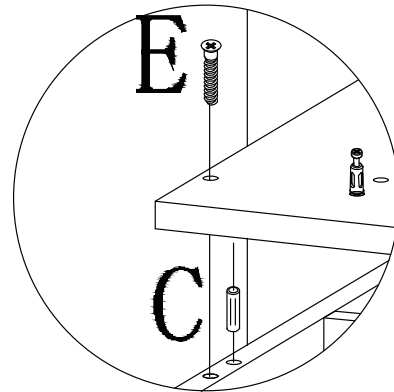
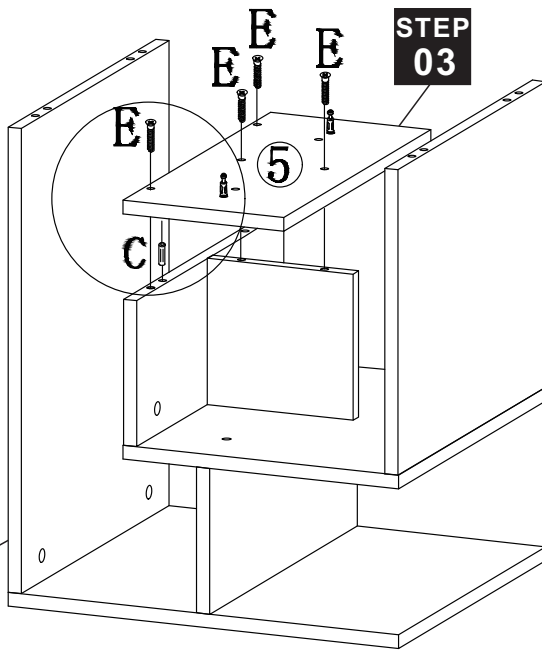
E x 4



D x 1

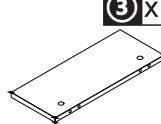


STEP 03



STEP 07

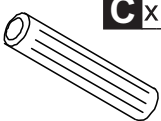
③ x 1



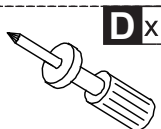
A x 2



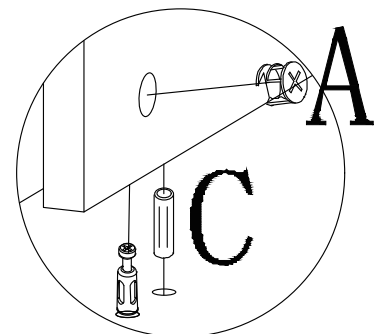
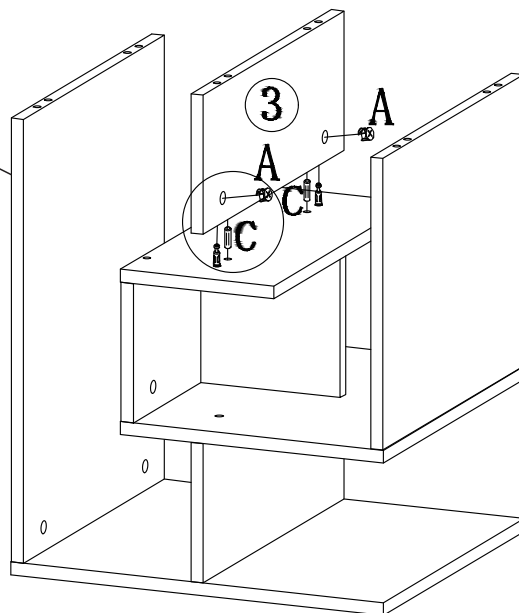
C x 2



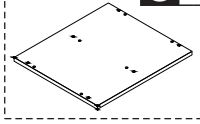
D x 1



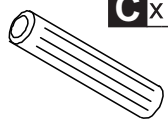
STEP 08



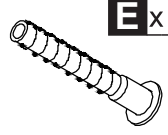
Ⓢ x 1



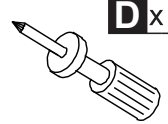
C x 6



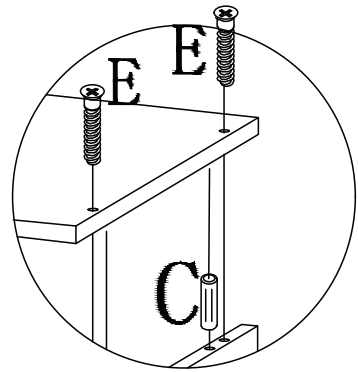
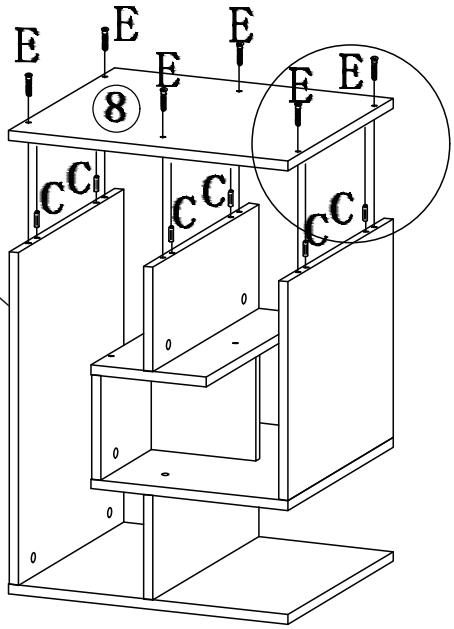
E x 6



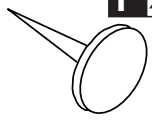
D x 1



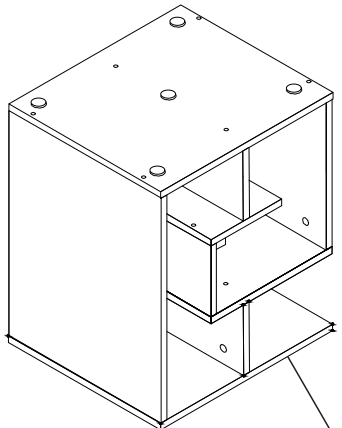
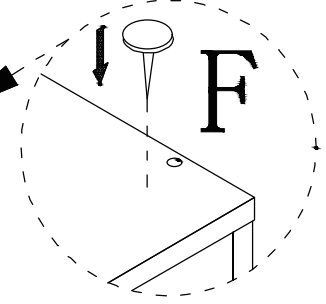
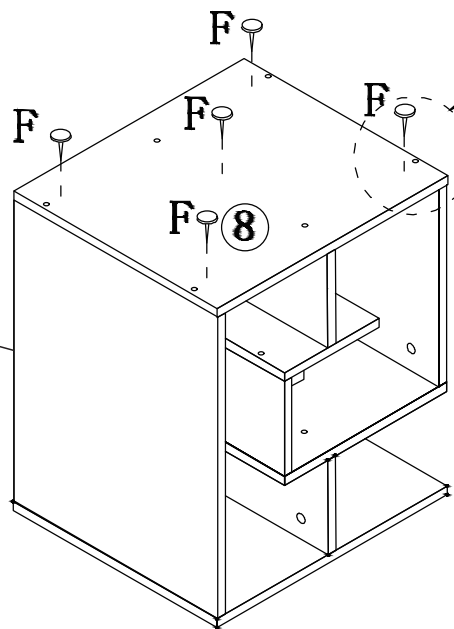
STEP 09



F x 5



STEP 10



STEP 11

