

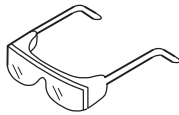
TOOLS REQUESTED



1/4" & 1/8" Drill Bits



level

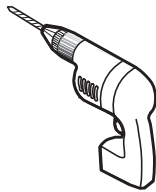


Safety Goggles

Tape Measure



Mallet



Power Drill

INSTALLATION PACKAGE KIT INCLUDED

PRODUCT FUNCTION INSTRUCTIONS



Touch key to turn on/off defogging function. When defogger is on, the button should be in blue color. The anti-fog function can only be used after 5 minutes of turning on, and will automatically cancel after 60 minutes of standby. If extended use is required, it must be re-enabled.



After power on, the button shows blue and it is in waiting state



The lighting color temperature will be changes with each short press

Click the light button to turn on and the color changes to white  
Click again to change the light color  
Click the fourth time to turn off the light



LED



Long press to adjust the brightness

Long press to make the light gradually dims  
Long press again and the light gradually brightens

When you adjust to your favorite color temperature, long press the button, you can adjust the brightness of the color temperature, click again, you can adjust to another color temperature.

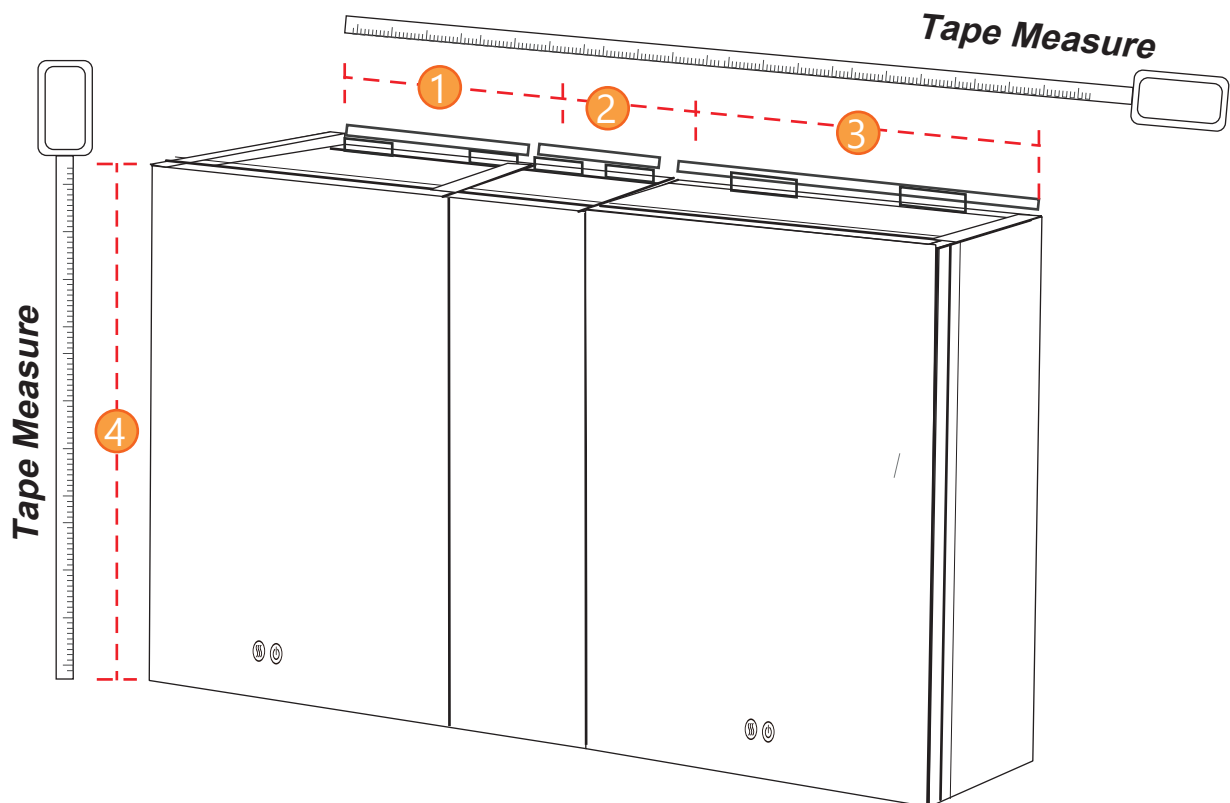


Memory function: The medicine cabinet will record the color temperature and brightness of your last use. When you turn off the color and brightness after using it last time, when you use it again, it will return to the state you used last time, no need to adjust it again and waste time every time.

## 50 inch Installation

### Step 1

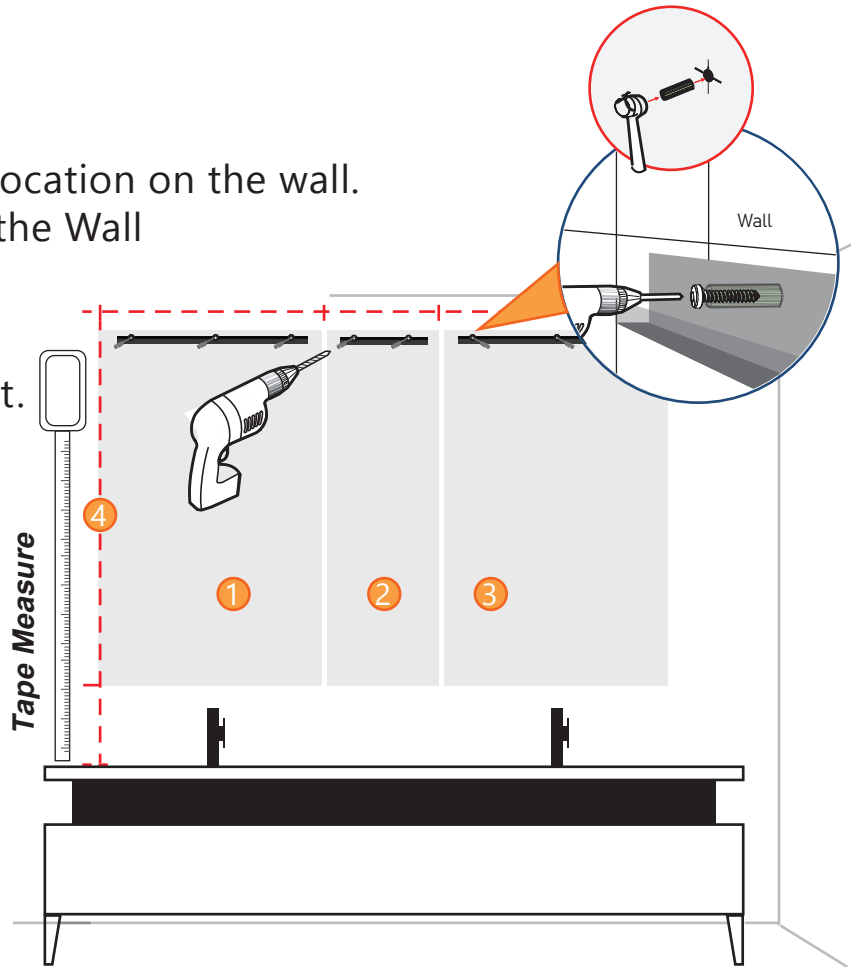
Unpack all the packaging, take out the mirror cabinet, and put it together to measure the total size of the mirror cabinet combination



## Step 2

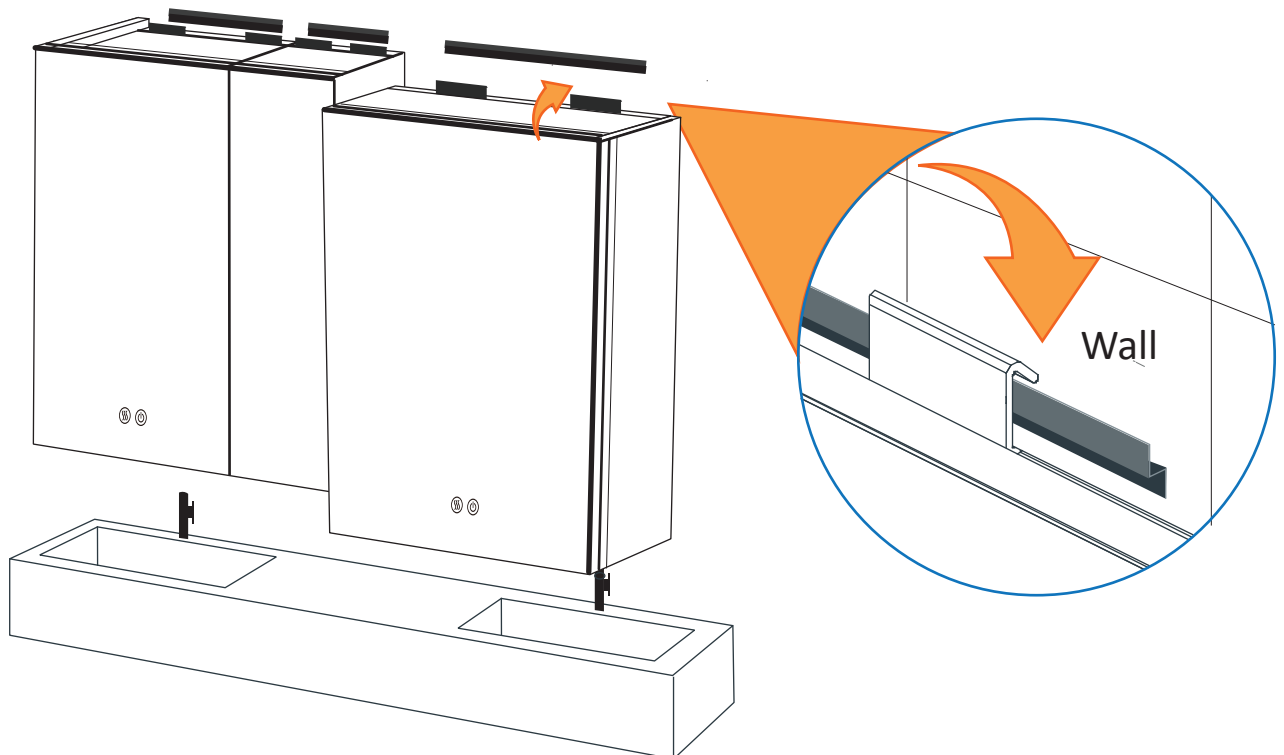
Level and mark the cabinet's location on the wall.  
Fix Top Mounting Bracket on the Wall

Measure the distance  
between the holes  
in the Top Mounting Bracket.



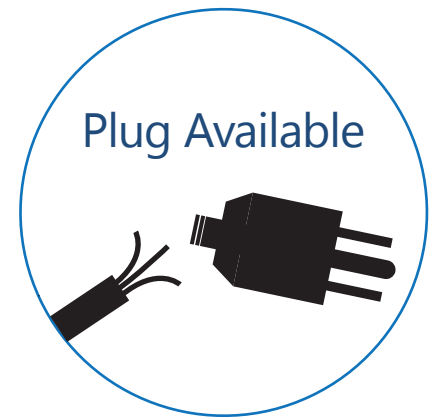
## Step 3

Hanging the Cabinet on the top mounting bracket. Make sure top brackets are locked in the grooves.

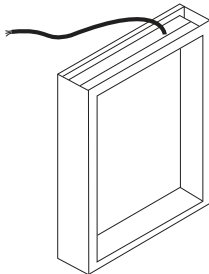


## Step 4

Connect the wire to Junction Box inside the wall.

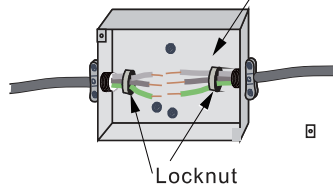


The electric wire comes through the access hole on the top of the cabinet, exact location of access hole varies depending on the product models. Please refer to the actual product for the exact location.



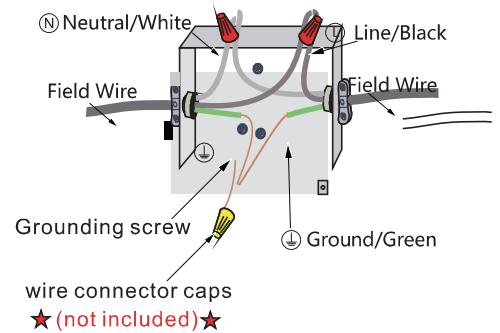
Make connection with Junction box

using wire connector caps



★ junction box is not included ★

Neutral to white.  
Line to black.  
Ground to green.



★ (not included) ★

**ALL WIRING SHOULD BE DONE BY A QUALIFIED LICENCED ELECTRICIAN.**

**⚠ WARNING:** Shut off power before wiring the cabinet.

Requires 120 VAC 20 Amp GFI protected Circuit.

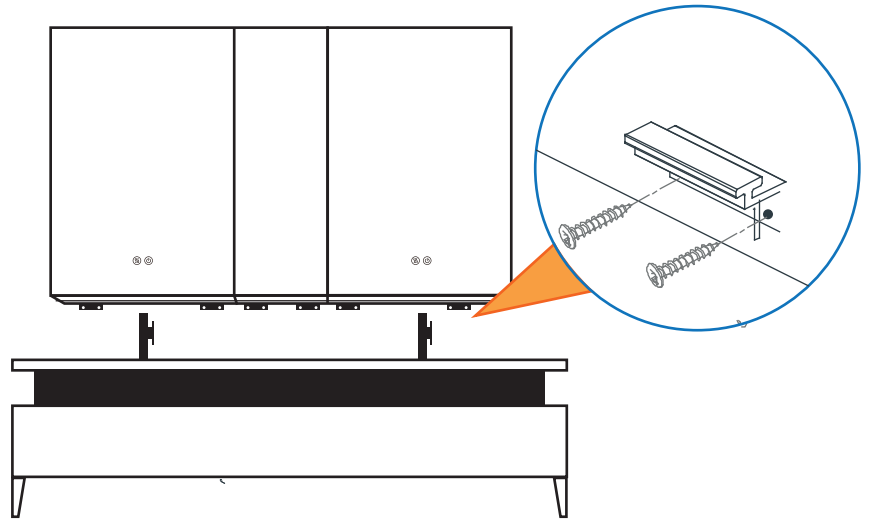
### GROUNDING INSTRUCTIONS:

**⚠ CAUTION:** This product must be connected to a grounded metal permanent wiring system or an equipment-grounding conductor must be run with the circuit conductors and connected to the equipment grounding terminal or lead on the product.

**⚠ WARNING:** An Electrical option cabinet must be wired to a 20 Amp GFI (Ground Fault Interrupter) protected circuit when used in bathrooms and all other locations required by the National Electric Code.

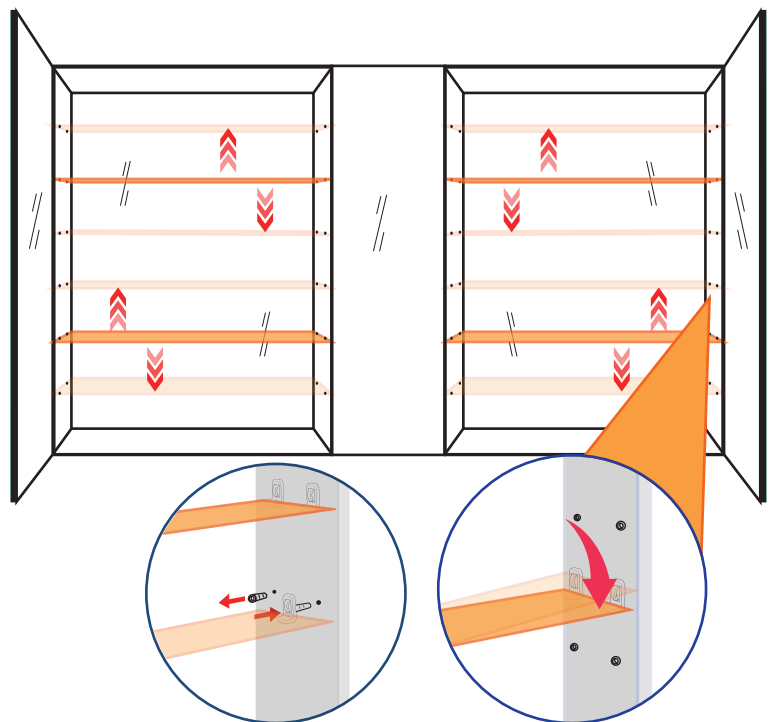
### Step 5

Move the cabinet to the right position and screw in the bottom supporting bracket and fix it.



### Step 6

According to your own needs and preferences, adjust and install the height of the glass shelves, first insert the transparent glass clip, then put the glass shelves on the clip, pay attention to the level of the glass.



### Step 7

If the cabinet door does not close well or unbalanced, it is necessary to adjust the hinge.

|                 |  |                 |                 |
|-----------------|--|-----------------|-----------------|
| <p><b>A</b></p> | <p><b>B</b></p>  | <p><b>A</b></p> | <p><b>B</b></p> |
| <p><b>C</b></p> | <p><b>OPTIONAL DOOR ADJUSTMENT</b><br/>                 Doors may need to be adjusted after the initial shipping of the cabinet. The cabinet doors have a three-way adjustment feature. Height, side-to-side, level and depth can be adjusted. With the hinge slightly closed you can access the middle screw for up/down adjustment. With the hinge fully extended you can access the front and back screws. These screws will move the door side to side and in and out.</p> |                 | <p><b>C</b></p> |