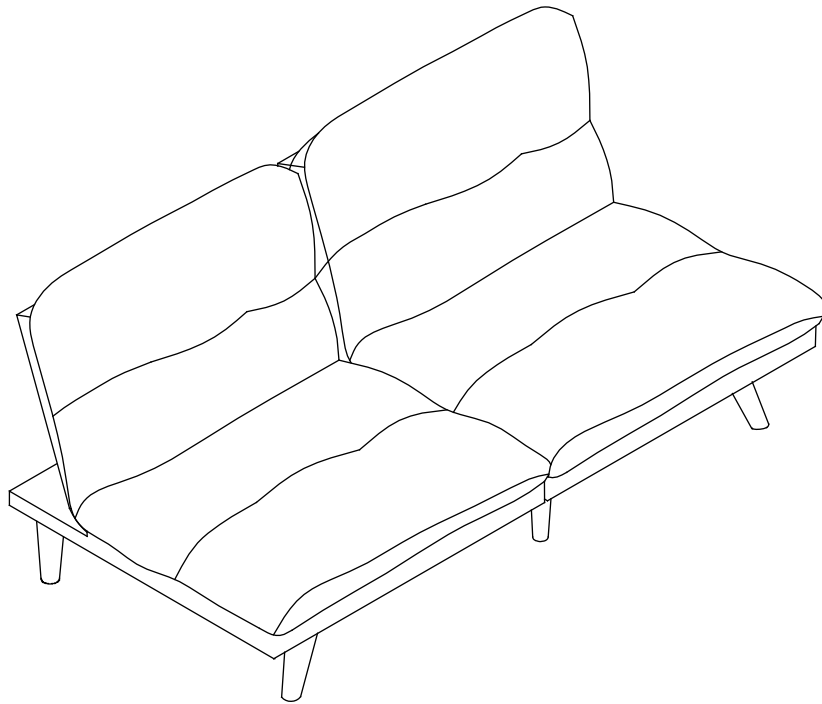


SFC-70IH



SFC-70IN



---

 [HJ-Customer - Service@outlook.com](mailto:HJ-Customer-Service@outlook.com)

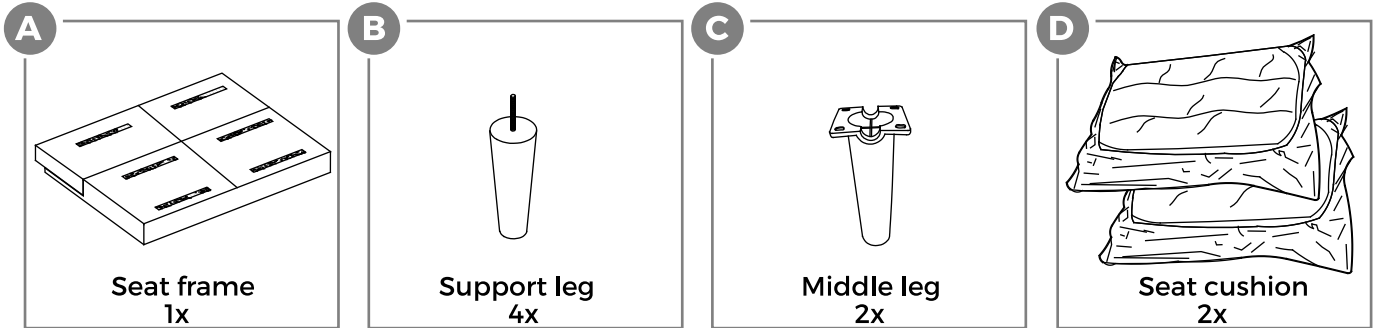
 (909)637-7665 | (909)637-7593

EST 9:00AM-17:00PM

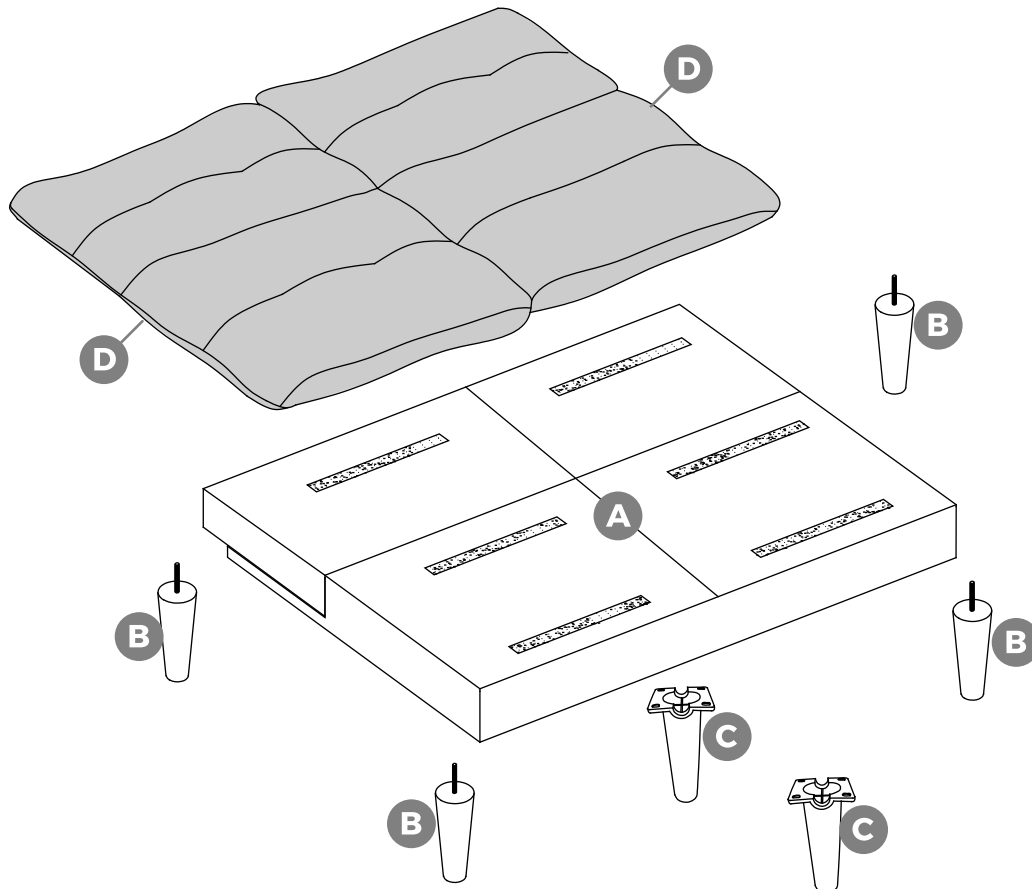
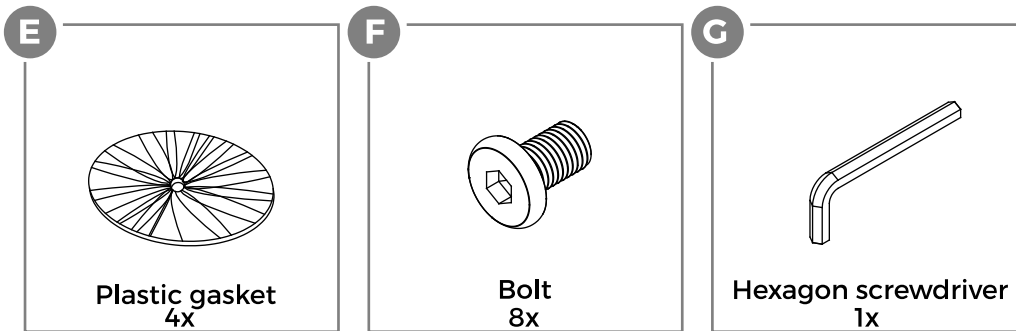
# Components

Please check if all the pieces listed below are received.

## Parts



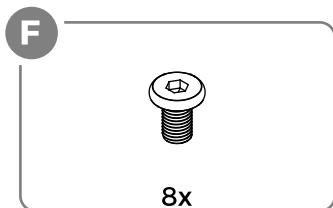
## Hardware



# Assembly Instructions

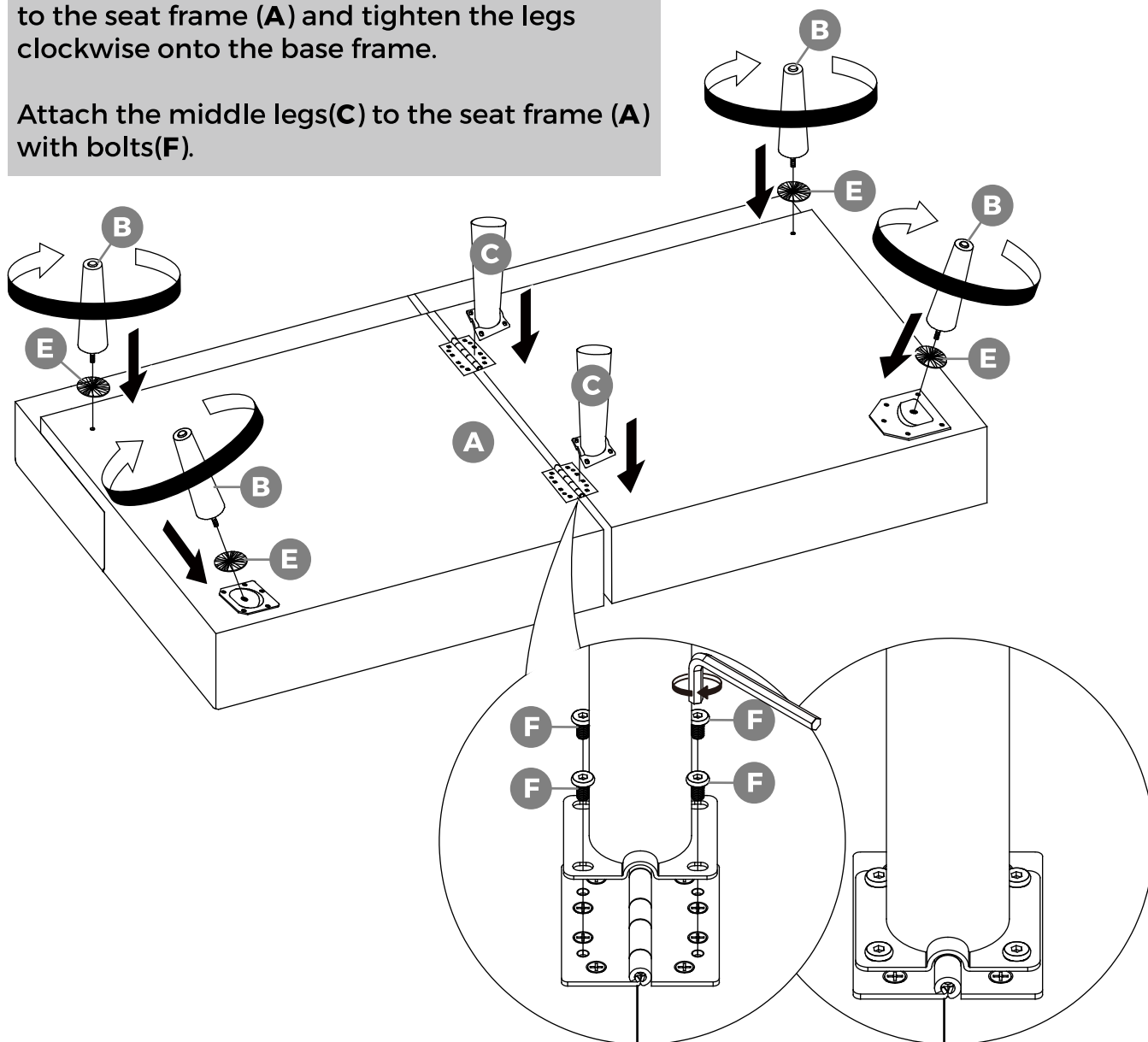
**CAUTION : Inappropriate installation of screws will cause damages to the product !**

## Step 1



Attach the support legs(B) & plastic gaskets(E) to the seat frame (A) and tighten the legs clockwise onto the base frame.

Attach the middle legs(C) to the seat frame (A) with bolts(F).



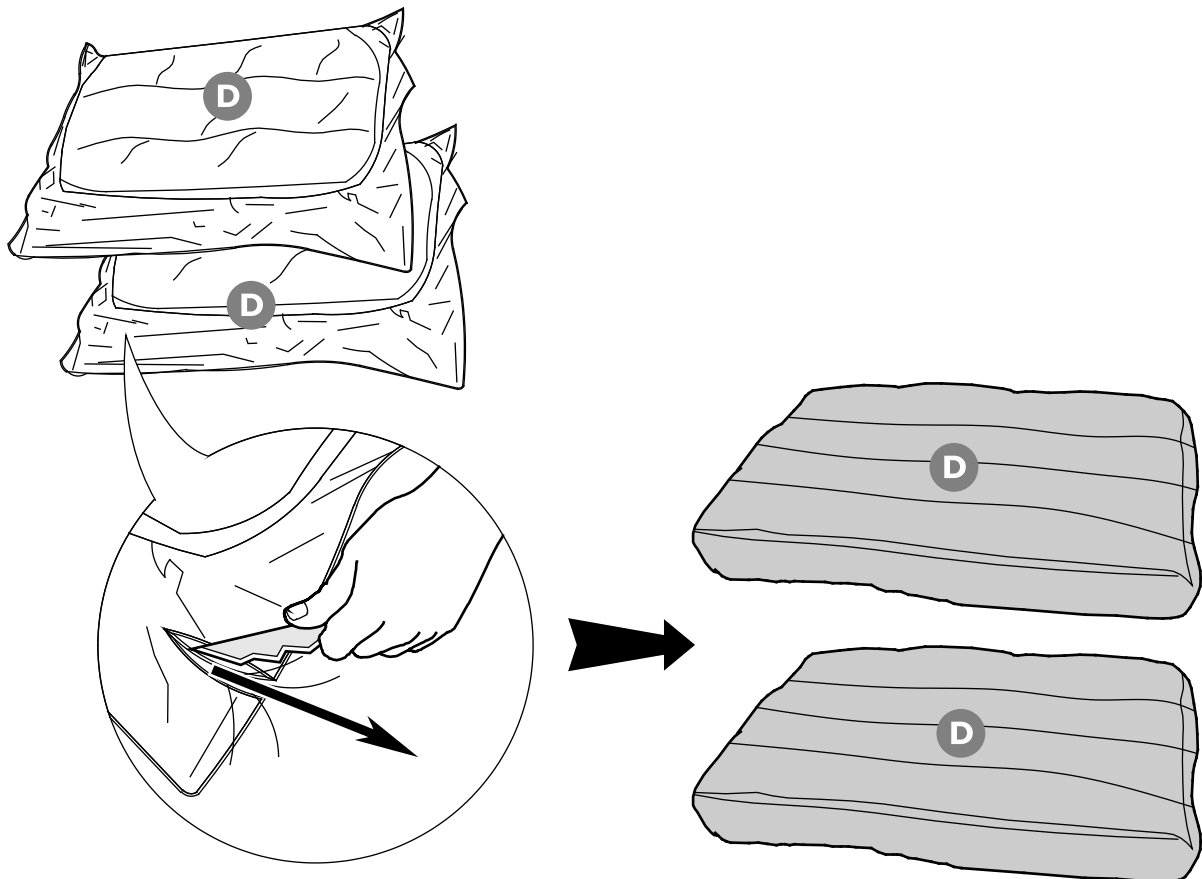
# Assembly Instructions

**CAUTION : Inappropriate installation of screws will cause damages to the product !**

## Step 2

### **i** Tips Of Restoring Vacuum-Compressed Cushions :

1. **Unpackaging:** Remove the cushions from the vacuum-sealed packaging.
2. **Allow Expansion Time:** Let the cushions sit in a well-ventilated area for a few hours to expand naturally. It usually needs 48-72 hours to fully expand.
3. **Fluffing and Patting:** Gently fluff and pat the cushions to encourage air circulation and restore their shape.
4. **Massage and Knead:** Lightly massage and knead the cushions to redistribute the filling evenly.
5. **Apply Heat (Optional):** Using a hairdryer on a low-heat setting or placing a warm, damp cloth over the cushions can expedite the process and remove wrinkles.



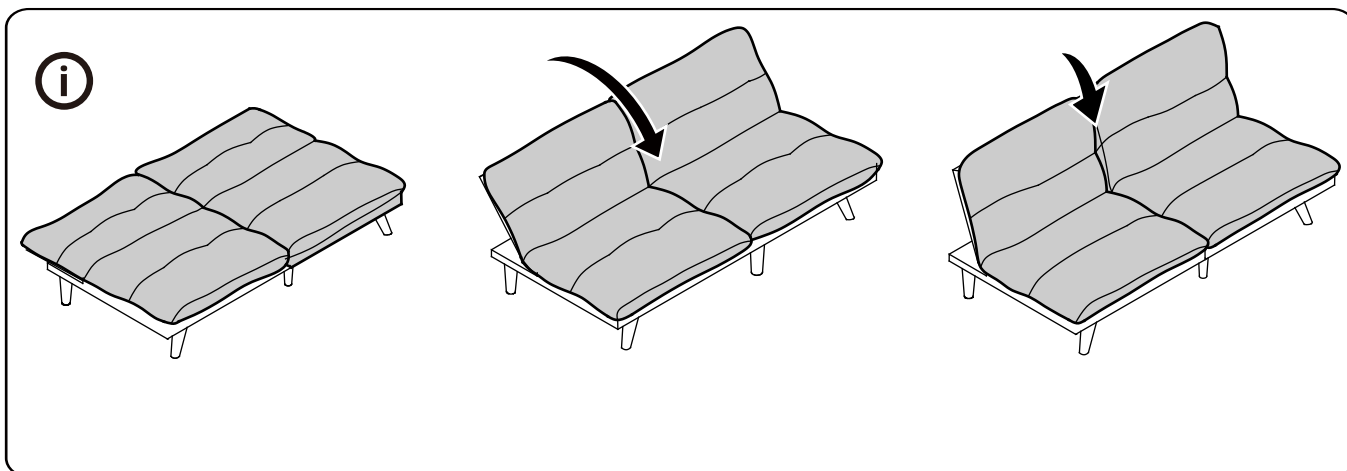
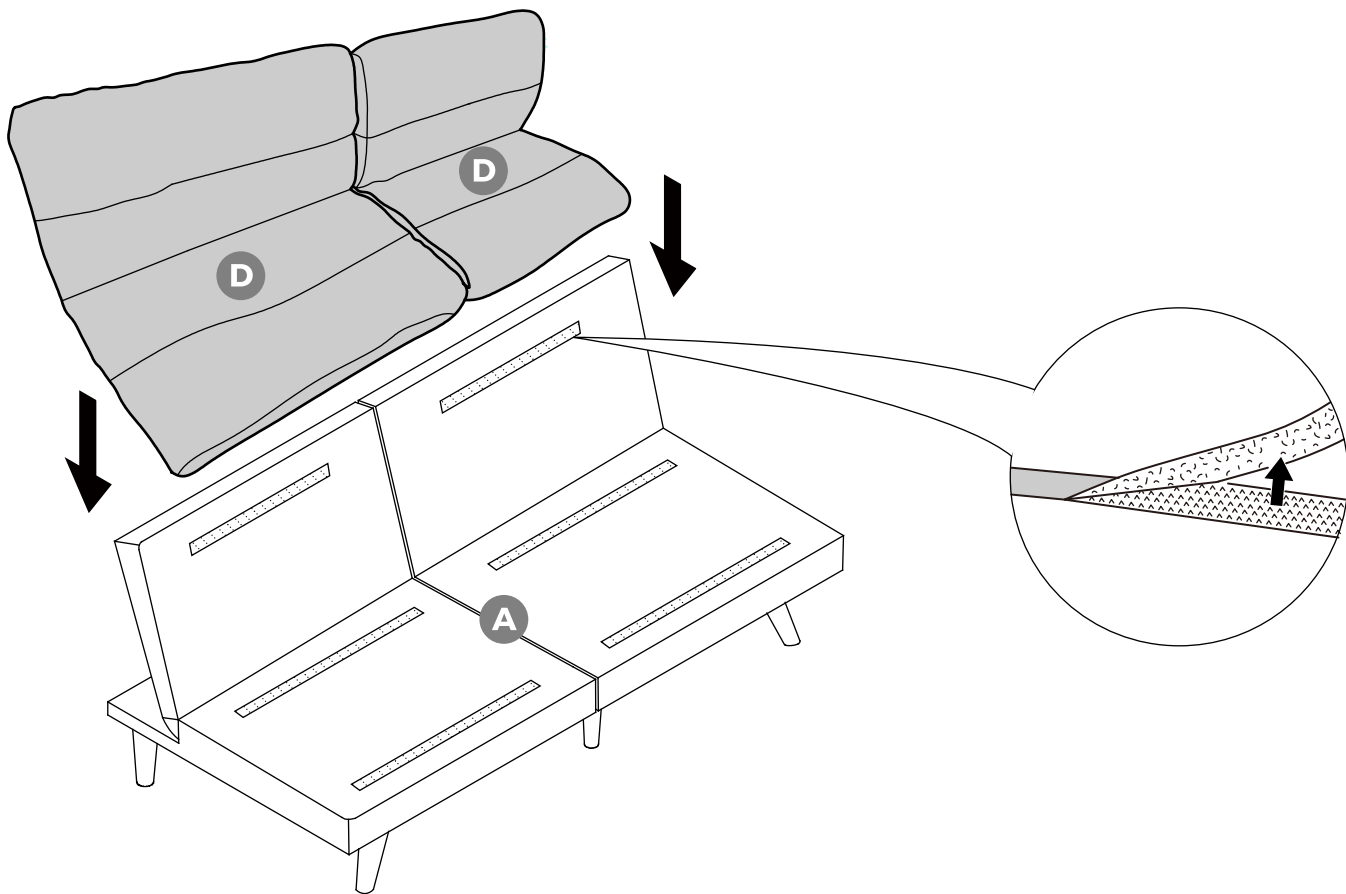
# Assembly Instructions

**CAUTION : Inappropriate installation of screws will cause damages to the product !**

## Step 3

Place the seat cushion (D) in the appropriate position on the base frame (A).

Please note: attach the Velcro between the seat cushion and the seat frame to prevent the cushion from sliding.



Technical Support

(909)637-7665 | (909)637-7593

Other Info

HJ-Customer - Service@outlook.com

Thank you for choosing this product. We strive to provide you with the best quality products and service in the industry. Should you have any issues, please don't hesitate to contact us.