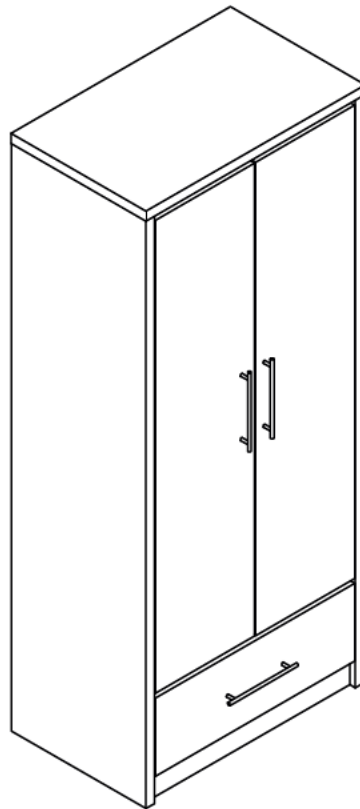


ASSEMBLY INSTRUCTIONS



FOR DOMESTIC USE ONLY

IMPORTANT

PLEASE READ BEFORE YOU CONTINUE FURTHER

THE PRODUCT YOU HAVE PURCHASED WILL GIVE YOU MANY YEARS OF SERVICE IF YOU FOLLOW THE GUIDELINES FOR ITS SAFE ASSEMBLY AND PERIODIC MAINTENANCE **AND CLEANING.**

ASSEMBLE ON A SOFT CLEAN **SURFACE.**

DO NOT USE ANY TOOLS OTHER THAN THOSE **SHOWN.**

ANY SPANNERS OR ALLEN KEYS REQUIRED ARE INCLUDED WITH THE **FITTING KIT.**

DO NOT FOR ANY REASON USE A POWER TOOL TO ASSEMBLE THIS PRODUCT. ITS USE WILL INVALIDATE ANY CLAIM YOU MAY HAVE AND COULD MAKE THIS PRODUCT UNSAFE.

DEPENDING ON THE AMOUNT OF USE THIS PRODUCT RECEIVES, IT MAY BE NECESSARY TO TIGHTEN UP THE FIXINGS FROM TIME TO TIME. THIS IS COMPLETELY NORMAL FOR ANY FLAT PACK FURNITURE. DO NOT OVERTIGHTEN FIXINGS.

FOR CLEANING, YOU MAY USE A DAMP CLOTH (NOT WET). DO NOT USE POLISH, DETERGENT OR CHEMICAL CLEANERS.

THE SURFACE OF THIS ITEM IS NOT HEAT RESISTANT. ALWAYS USE A PLACE MAT UNDER HOT OR COLD ITEMS TO PREVENT MARKING.












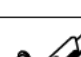



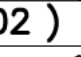
PART LIST Carton (01 of 02)

No.	Part Name	QTY
1	Left Side Panel	x1
2	Right Side Panel	x1
3	Right Door Panel	x1
4	Left Door Panel	x1
6	Left Drawer Side	x1
7	Right Drawer Side	x1
16	Back Panel	x2


PART LIST Carton (02 of 02)

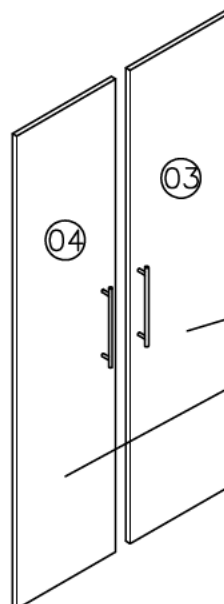
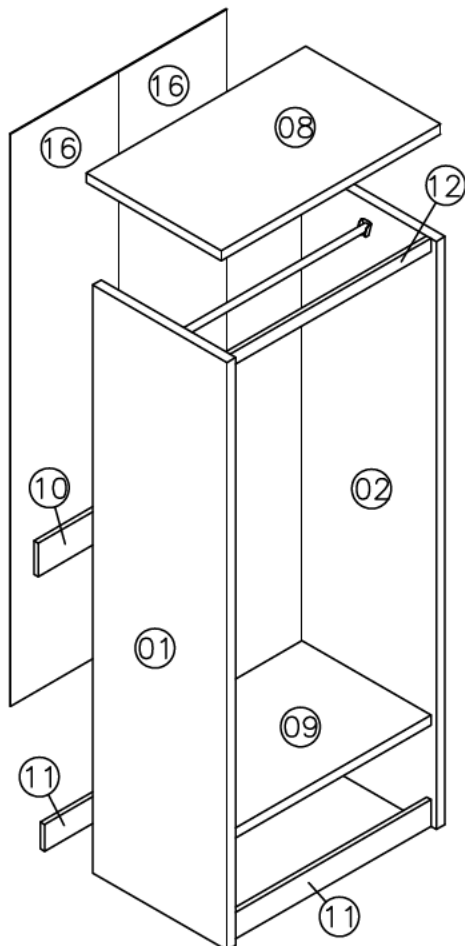
No.	Part Name	QTY
5	Drawer Front	x1
8	Top Panel	x1
9	Shelf	x1
10	Back Support	x1
11	Crossbar	x2
12	Support Panel	x1
13	Drawer Back	x1
14	Drawer Support	x1
15	Drawer Base	x1

HARDWARE LIST Carton (01 of 02)

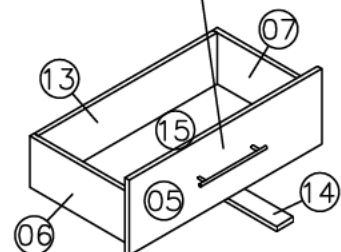
	Part Name		QTY
A	Wooden Dowel (6x25mm)		x22
B	65mm Screw (4x65mm)		x14
C	14 mm Screw (3.5x14mm)		x42
D	38mm Screw (4x38mm)		x5
E	Cam Bolt (8032T)		x3
F	Cam Nut (1512)		x3
G	10" Handle (192mm)		x3
H	20mm Handle Screw		x6
I	14" Drawer Slide (0.9mm) W (vkt)		1 Set
J	PVC L – Bracket		x1
K	Plastic Foot		x6
L	6/8" Nail		x60
M	WALL FIXING (4x20mm=1pc)		x1
N	Screw Cover (Sticker 12mm)		x10
O	Hanging Rail Support		x2
Q	3mm Hinges (M11)		x6

Carton (02 of 02)


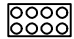
P	Hanging Rail (689mm)		x1
---	------------------------	---	----

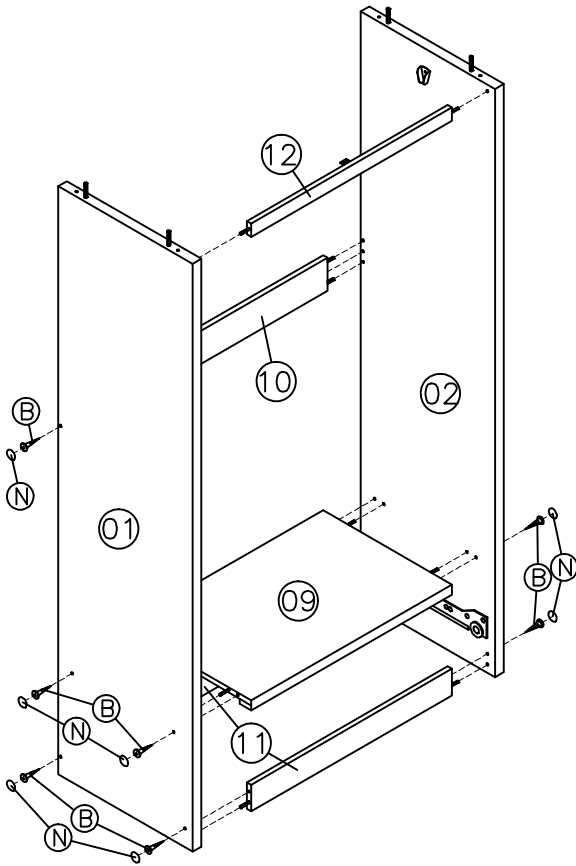


PLEASE NOTE THE CLEAR PROTECTIVE FILM WHICH NEEDS REMOVING FROM THE GLOSS FINISH.



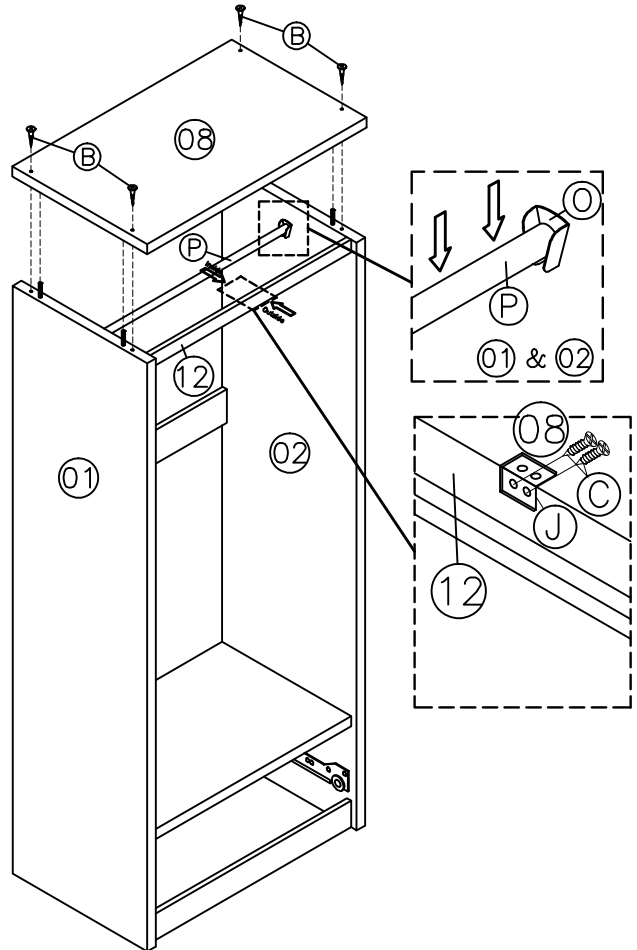
STEP 2

B	65 mm Screw		x10
N	Screw Cover		x10



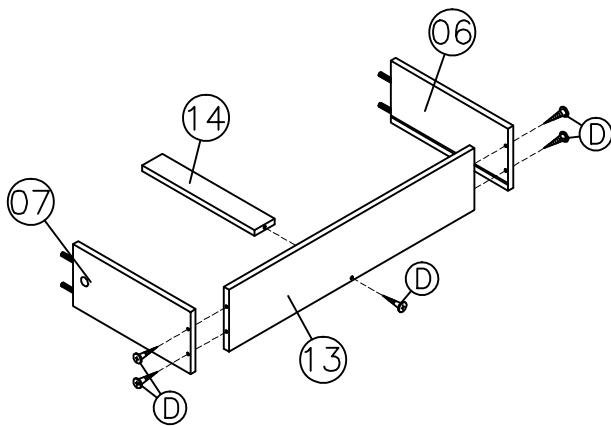
STEP 3

B	65 mm Screw		x4
C	14 mm Screw		x2
P	Hanging Rail (689mm)		x1

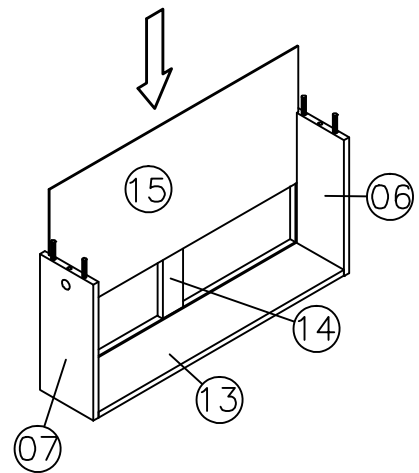


STEP 4

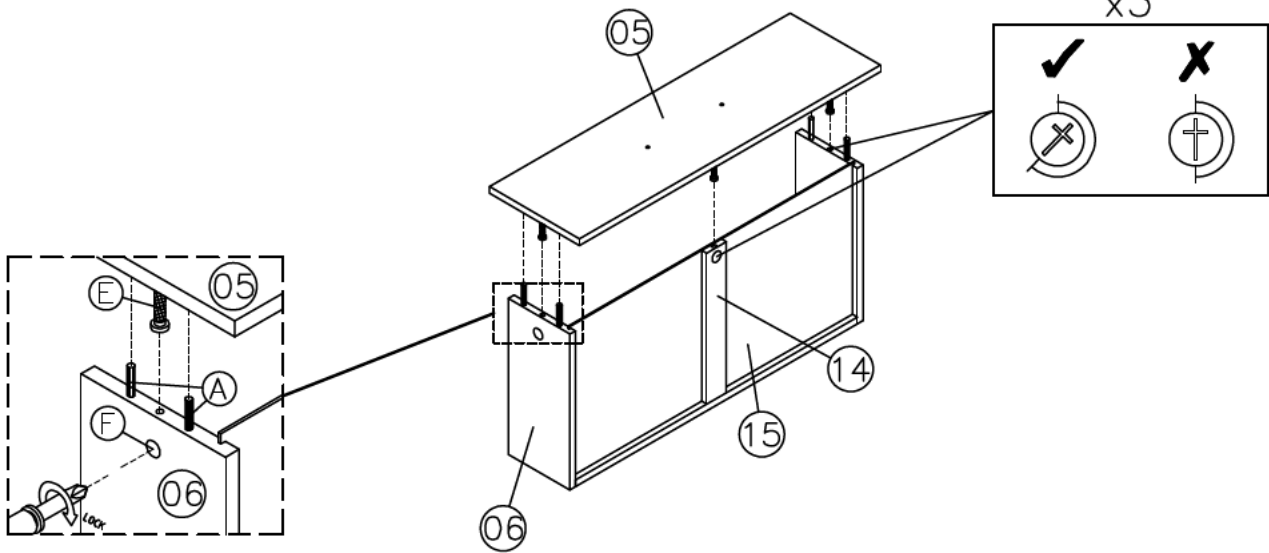
D	38mm Screw		x5
---	------------	---	----



STEP 5

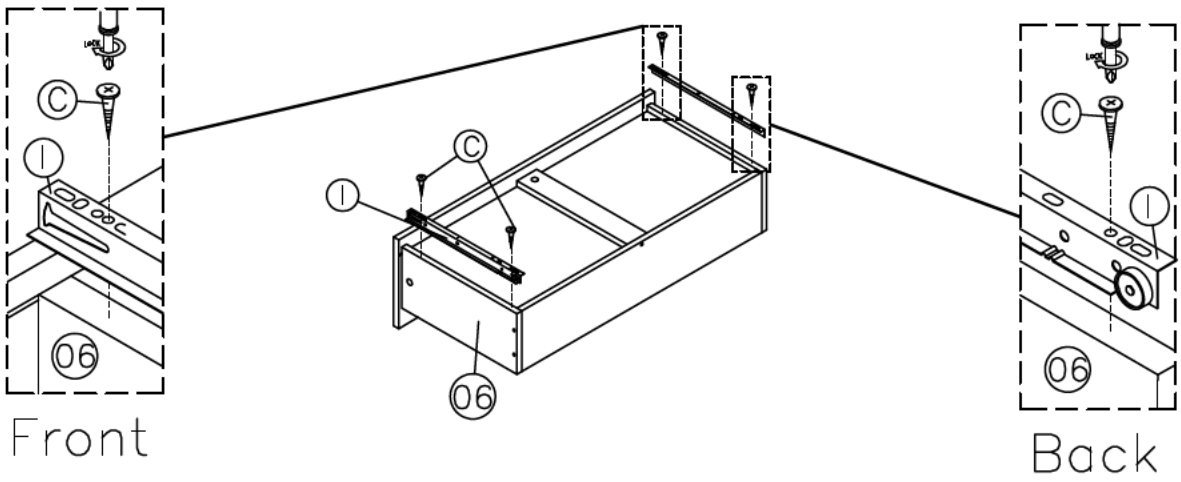


STEP 6





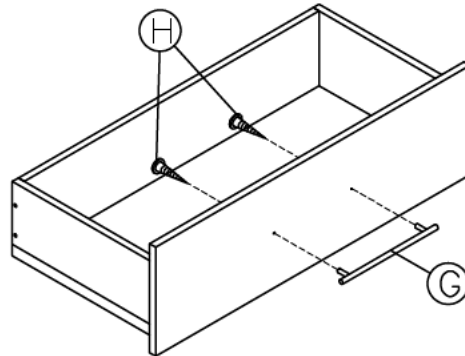
STEP 7

C	14mm Screw		x4
I	14" Drawer Slide		1 Set



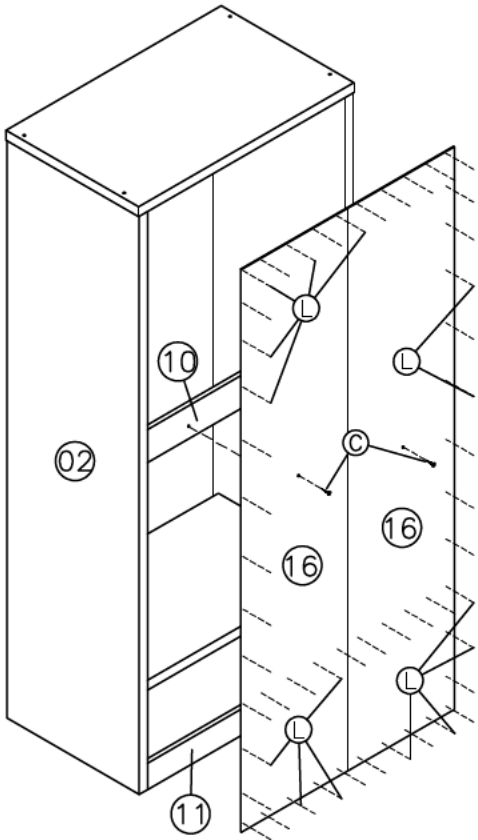
STEP 8

G	10" Handle (192mm)		x1
H	20mm Handle Screw		x2

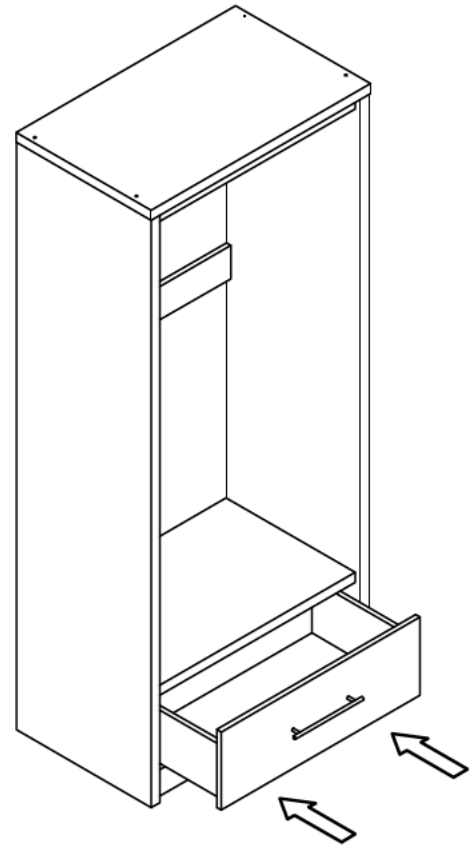


STEP 9

C	14mm Screw		x2
L	6/8" Nail		x60

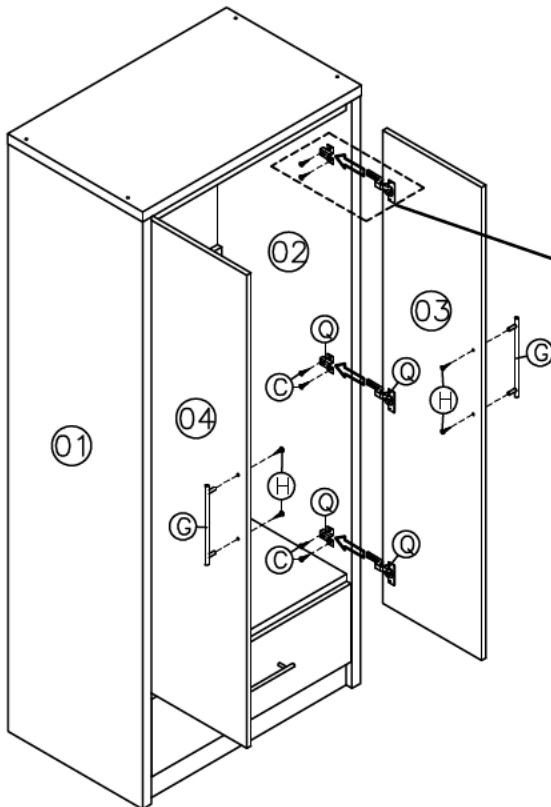


STEP 10

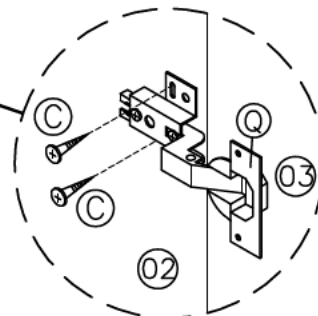


STEP 11

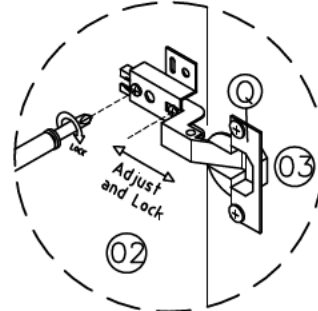
C	14 mm Screw		x12
G	10" Handle (192mm)		x2
H	20mm Handle Screw		x4
Q	3mm Hinges		x6



STEP 1



STEP 2




STEP 12


WARNING

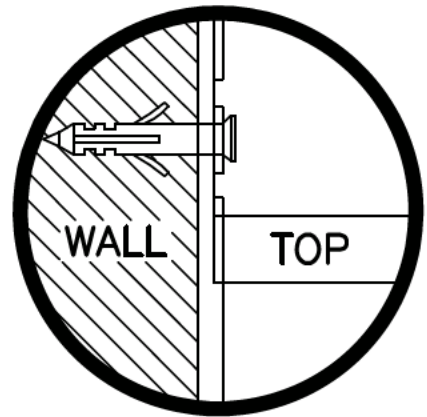
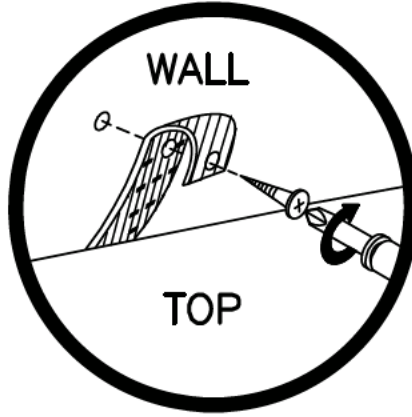
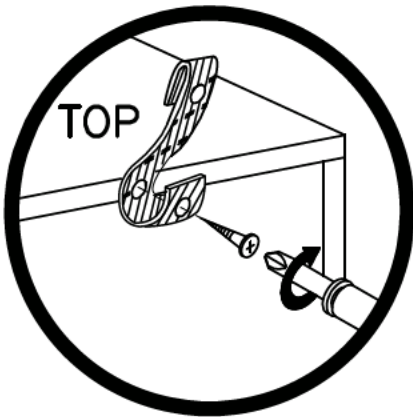
Serious or fatal injuries can occur from furniture tipping over. To prevent the furniture from tipping over we recommend that it is permanently fixed to the wall.

Wall fixings are not supplied with this product as different wall materials require different types of fixing devices. Please make sure you use fixings suitable for the walls in your home.

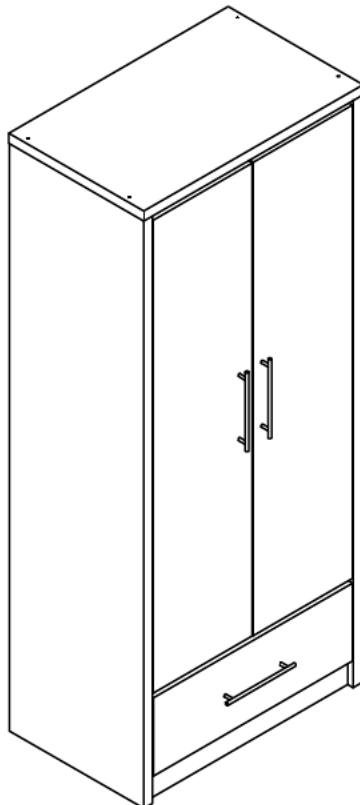
HARDWARE LIST

M  Anti-Tip Strap – 1pc

 Screw 20 mm – 1pc



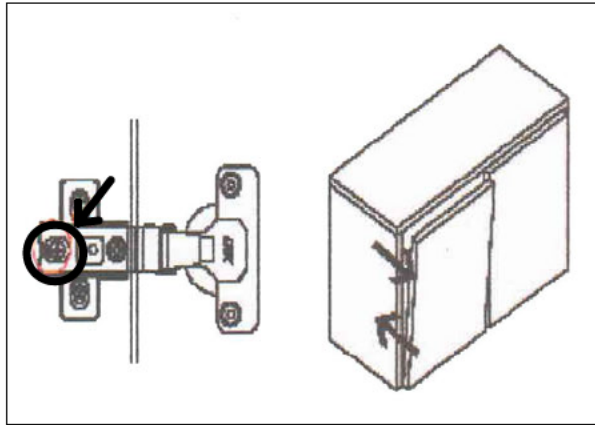
STEP 13



!
PLEASE NOTE THE CLEAR PROTECTIVE FILM WHICH NEEDS REMOVING FROM THE GLOSS FINISH.

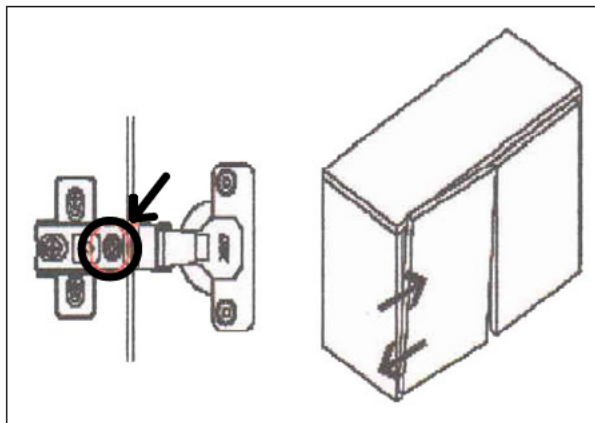
FINISH

Adjusting Possibilities



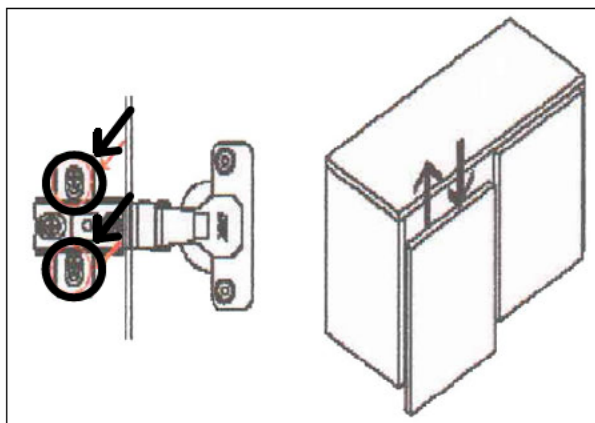
Depth Adjustment

After loosening the hinge arm mounting screw



Lateral Adjustment

By adjusting screw



Vertical Adjustment

Via mounting plate
(Via slots or, if in two pieces, via screw)