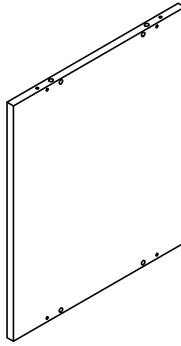
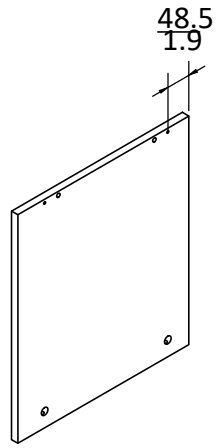


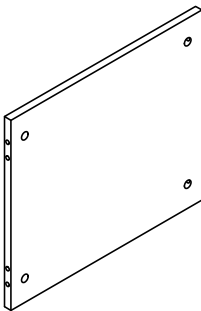
Ax1



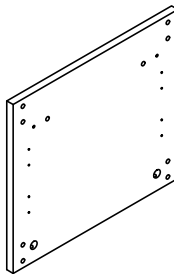
Bx1



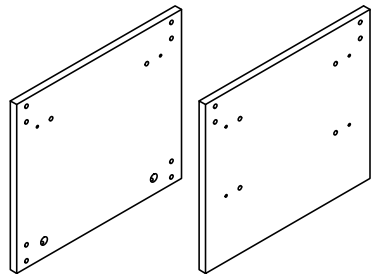
Cx1



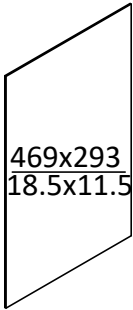
Dx4



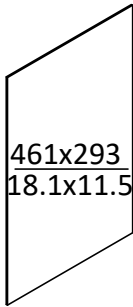
Ex2



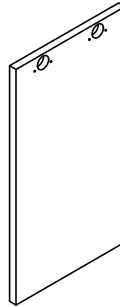
Fx2



Gx2



Hx1



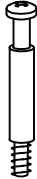
lx2



Jx5



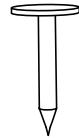
Kx48



Lx28



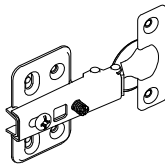
Mx24



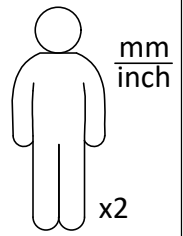
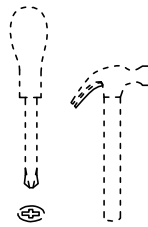
Nx42



Ox28



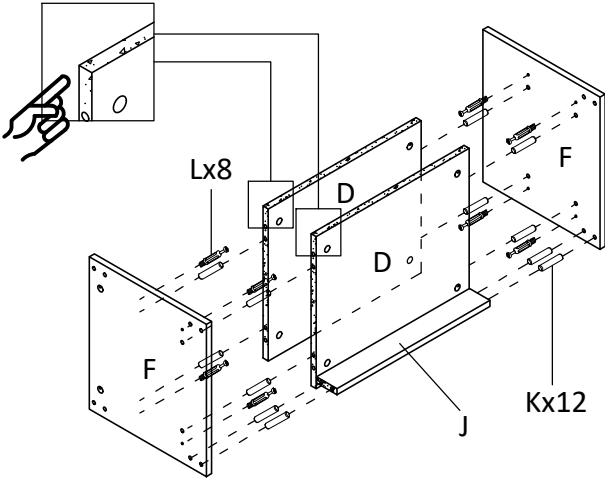
Px4



mm
inch

x2

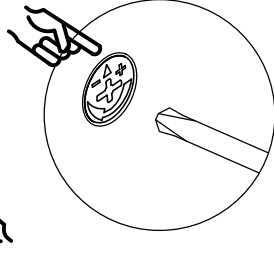
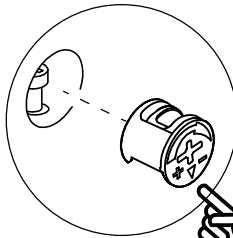
①



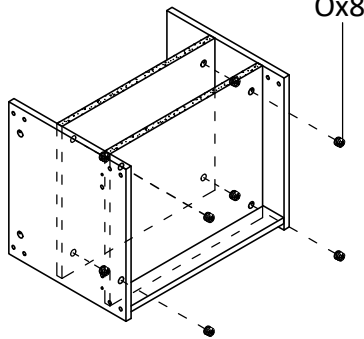
Kx12



Lx8



②

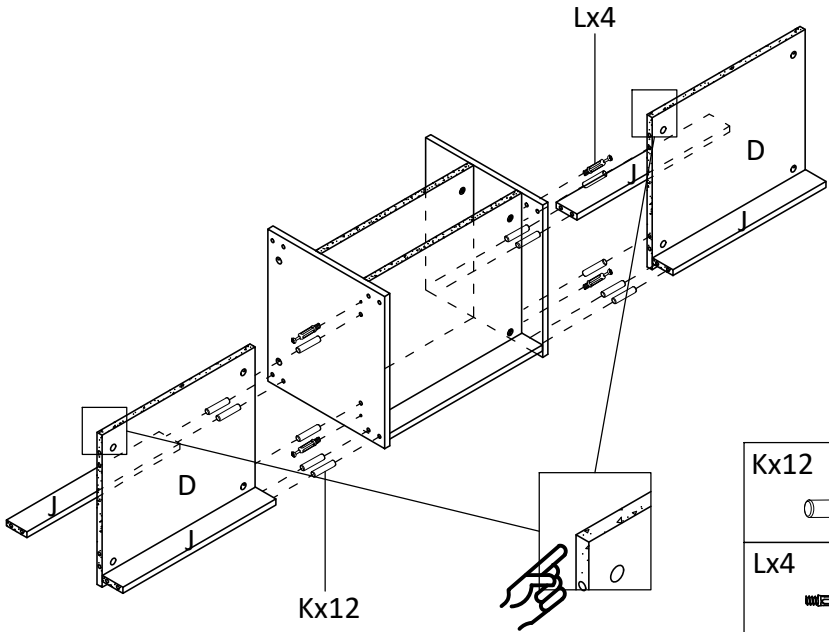


Ox8



Ox8

3



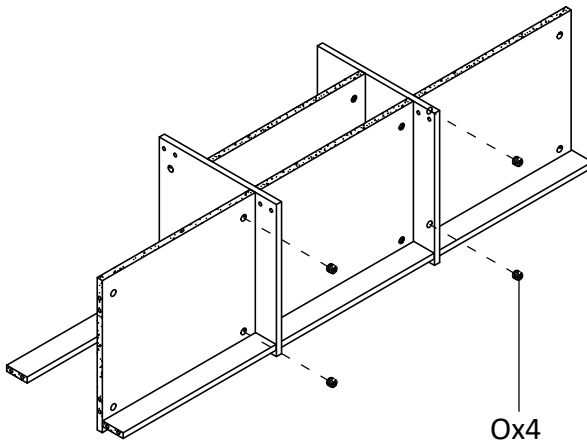
Kx12



Lx4



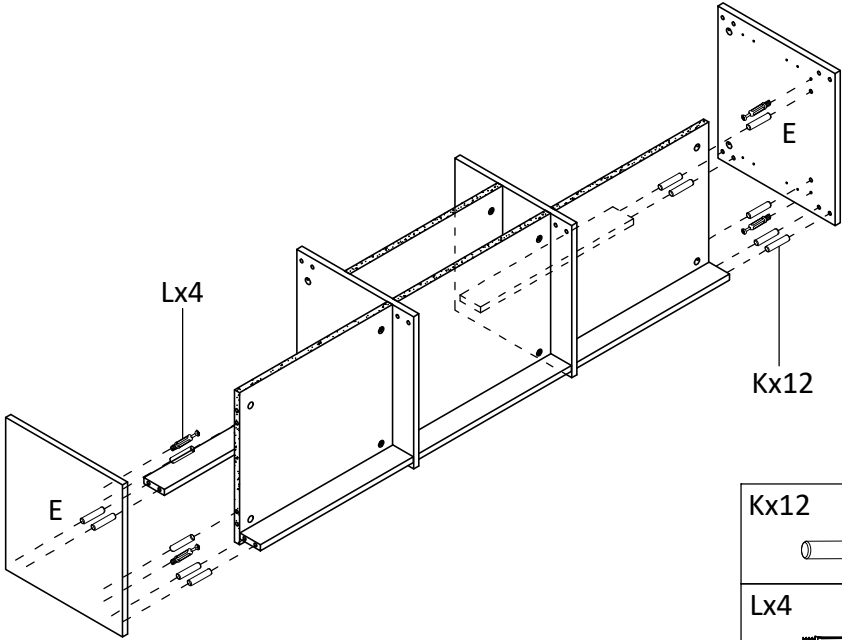
4



Ox4



5



Kx12



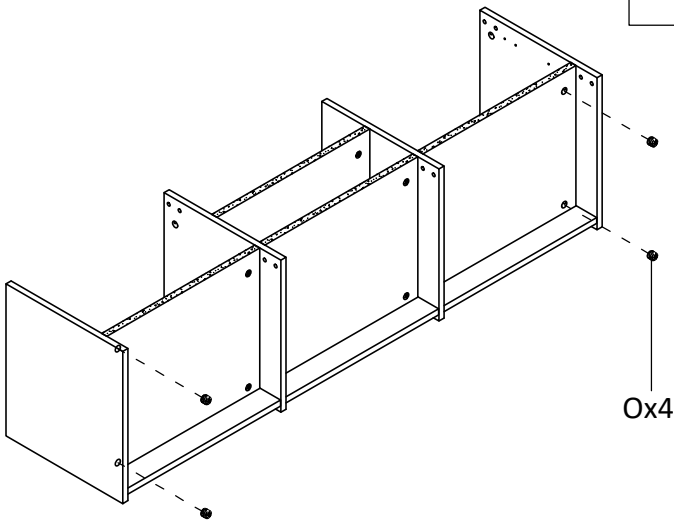
Lx4



Ox4

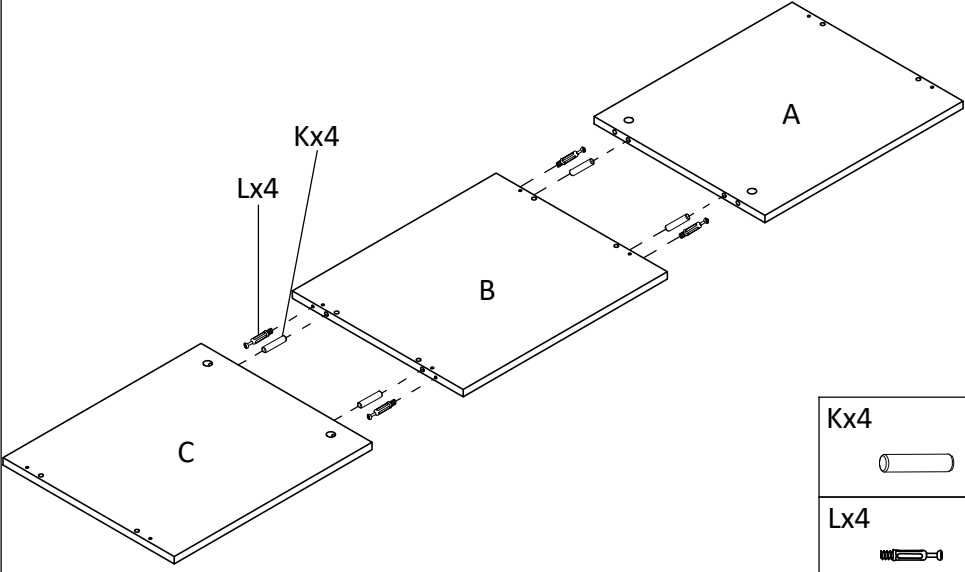


6



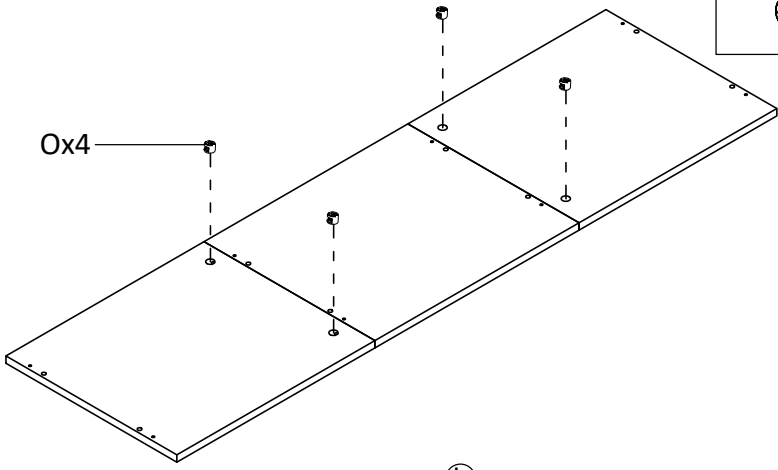
Ox4

7



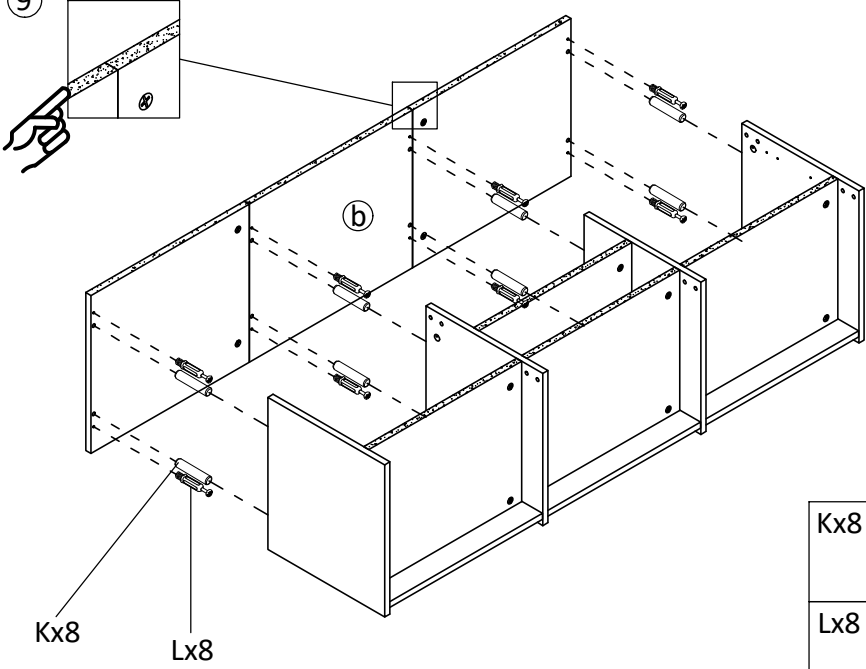
- Kx4
- Lx4
- Ox4

8



(b)

9



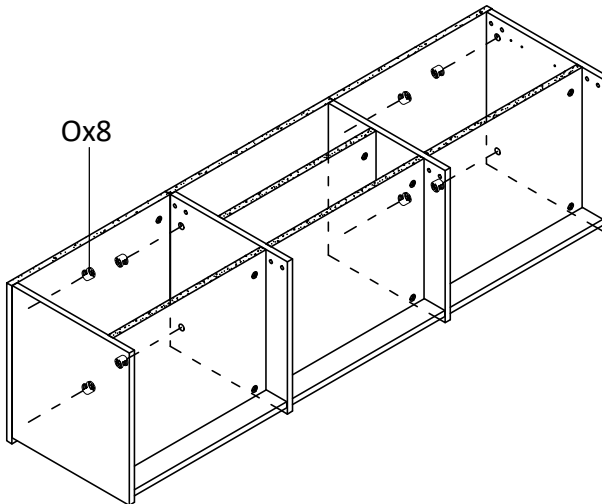
Kx8



Lx8



10

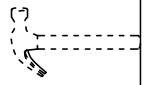


Ox8

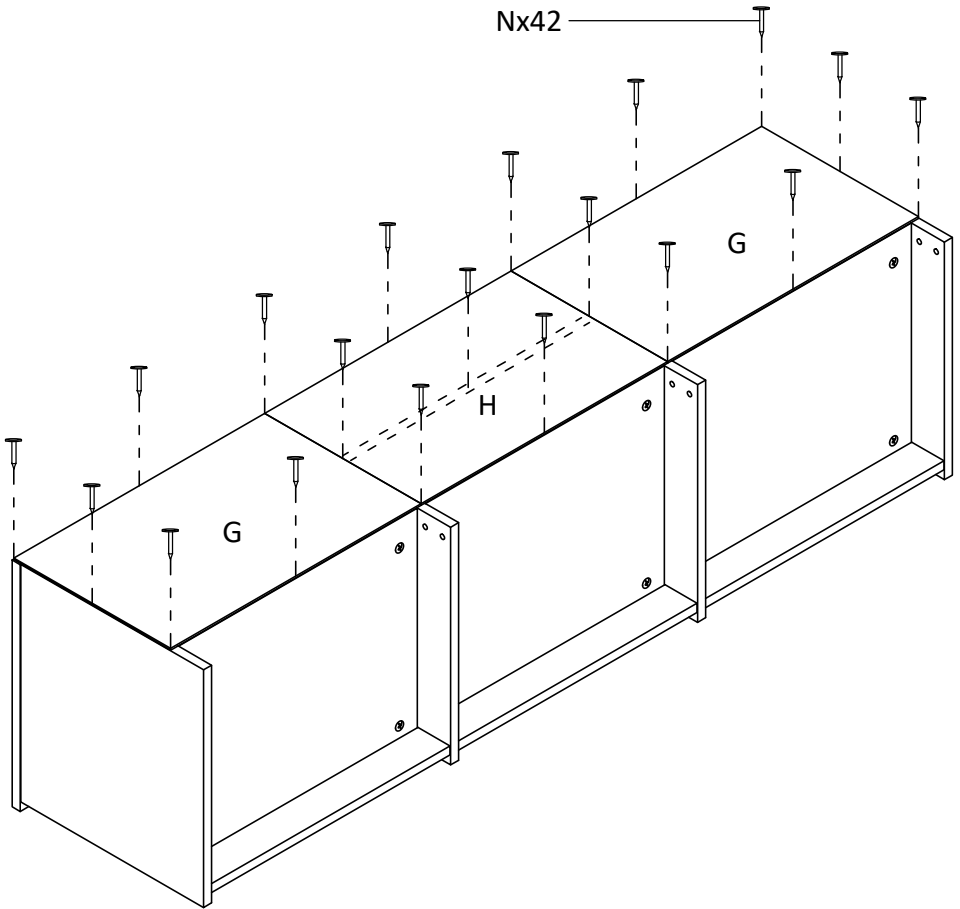


11

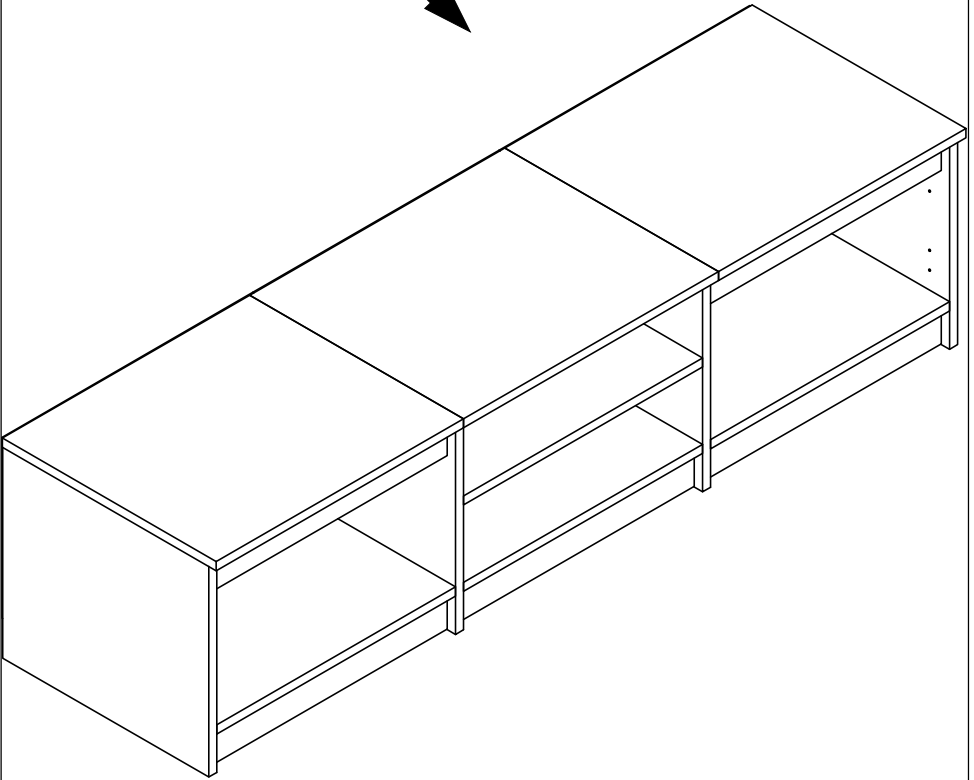
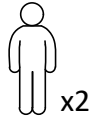
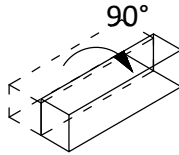
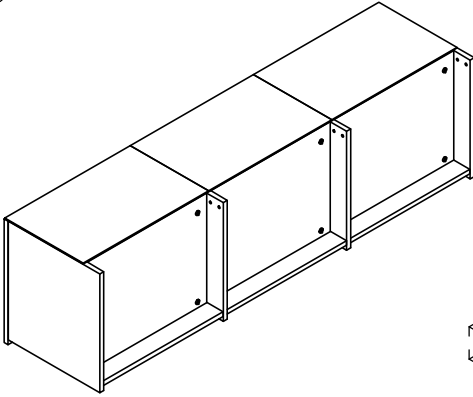
Nx42



Nx42



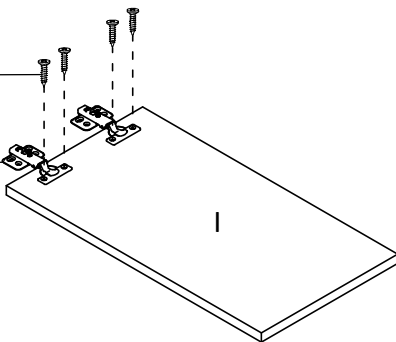
12



13

Mx4

Px2



i x2

Px4

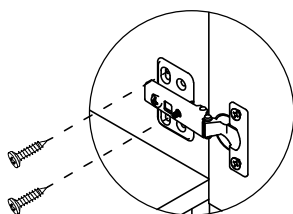


Mx8

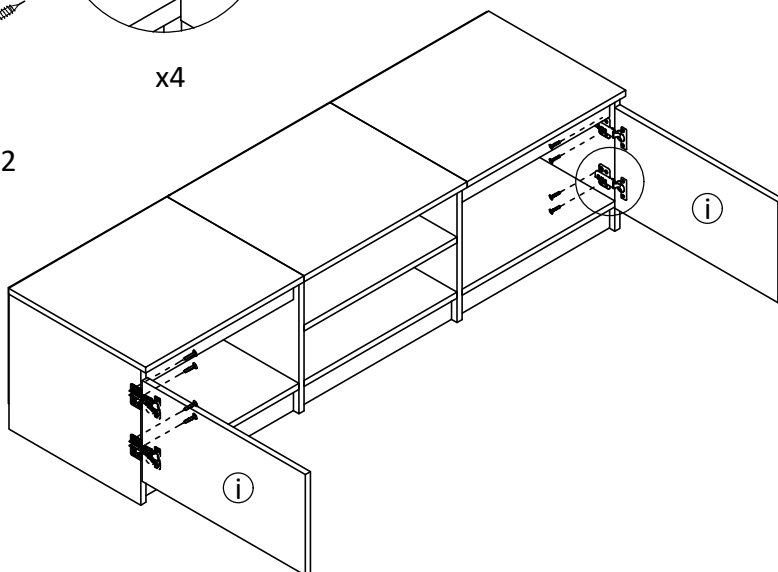


14

Mx2



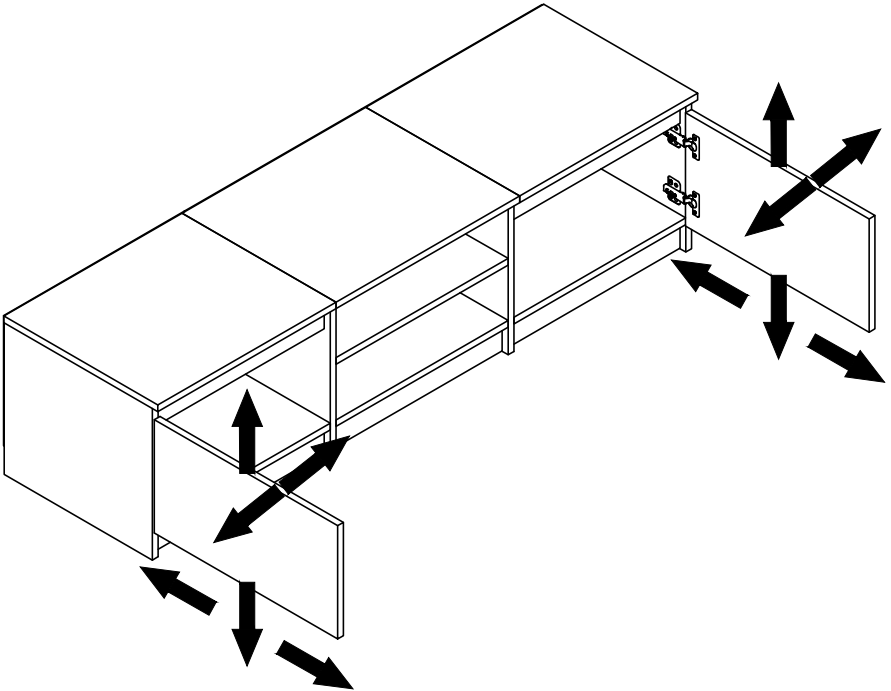
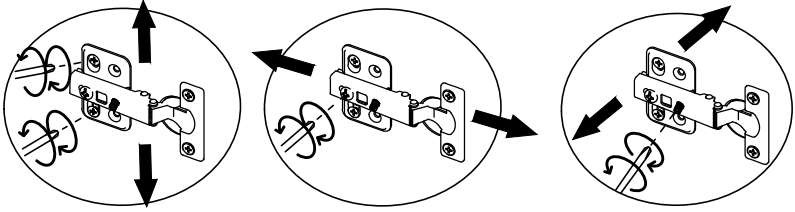
x4



Mx8

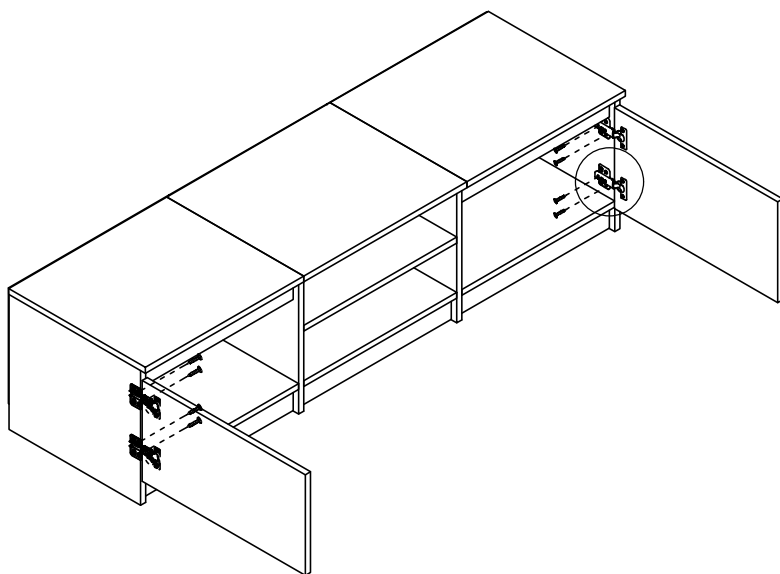
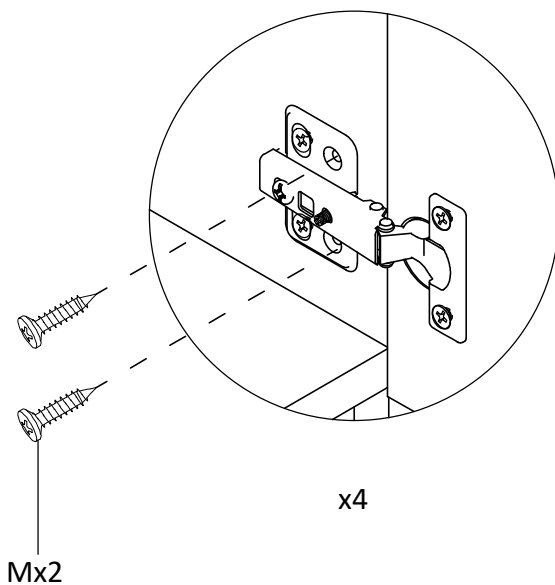


15



16

Mx8



17

