

B

A

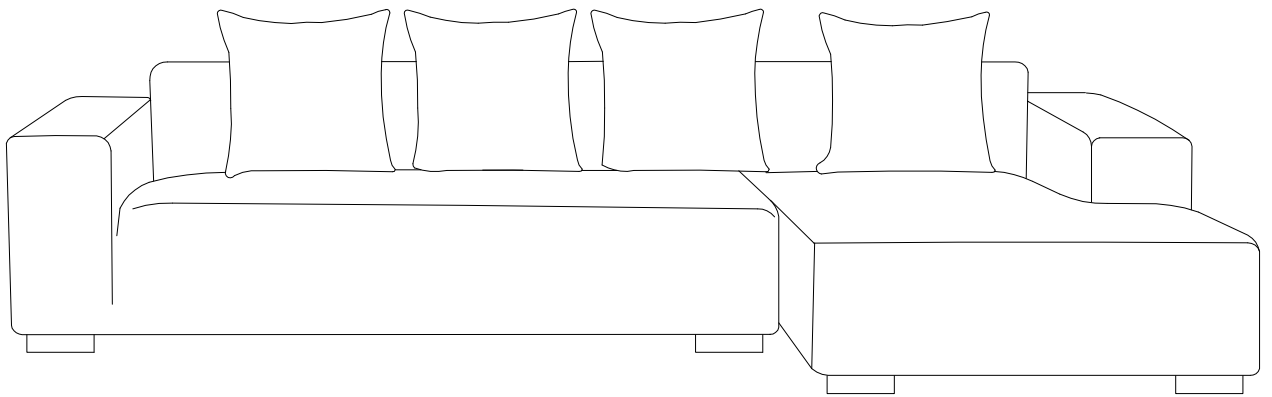
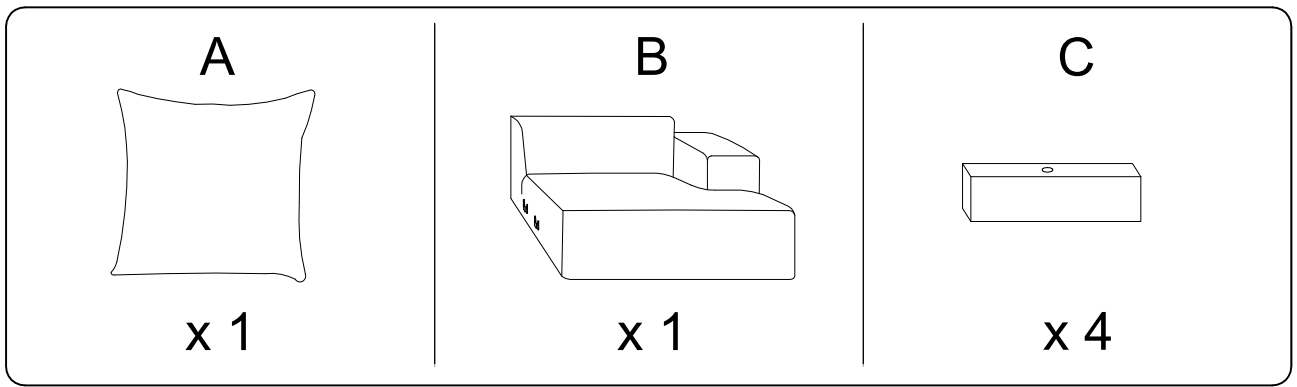


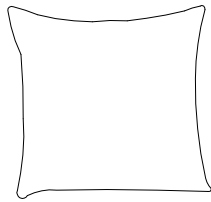
Diagram illustrating assembly instructions and safety warnings:

- Warning 1:** A triangle with an exclamation mark points to a box containing an L-shaped corner bracket and a crossed-out power drill, indicating that a power drill should not be used for this step.
- Warning 2:** A triangle with an exclamation mark points to a box containing a rectangular block being placed on a mat and a crossed-out block being placed on a surface, indicating that the block should be placed on a mat.
- Time:** A clock icon is shown next to the text "15'", indicating a 15-minute assembly time.
- Personnel:** A stick figure icon is shown next to the number "2", indicating that two people are required for assembly.

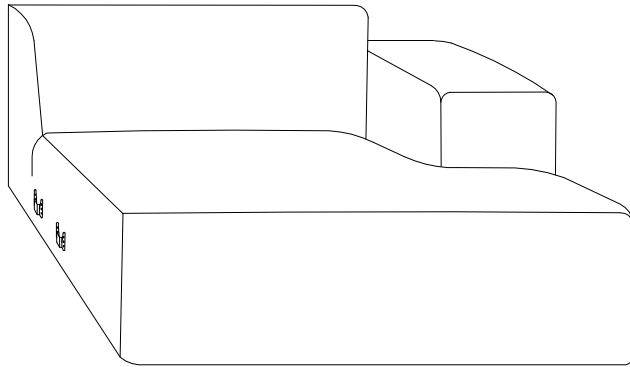
A



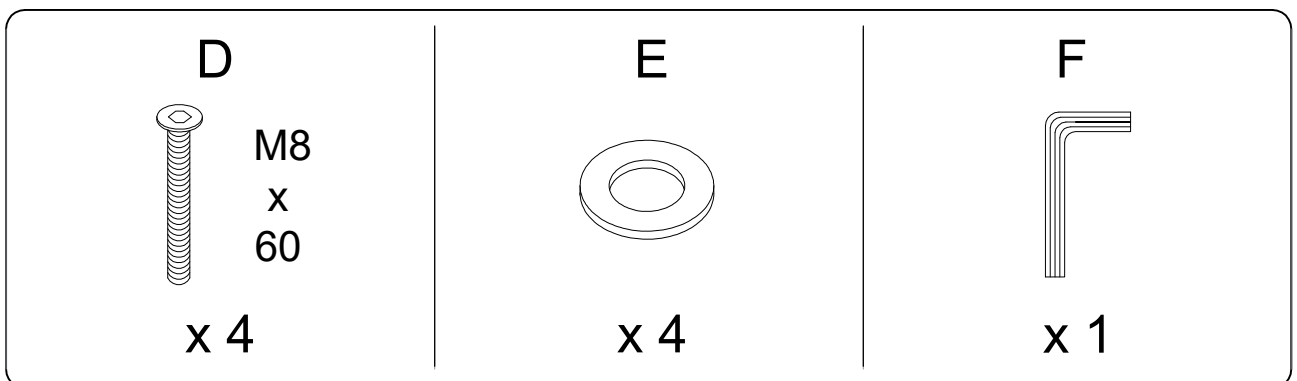
A



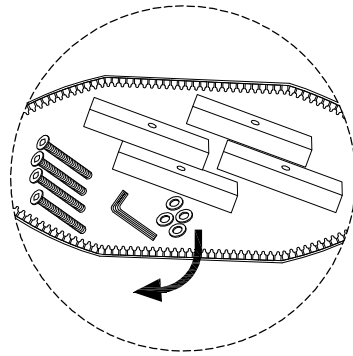
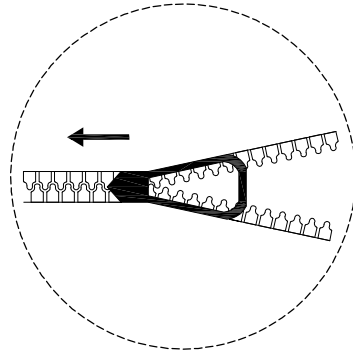
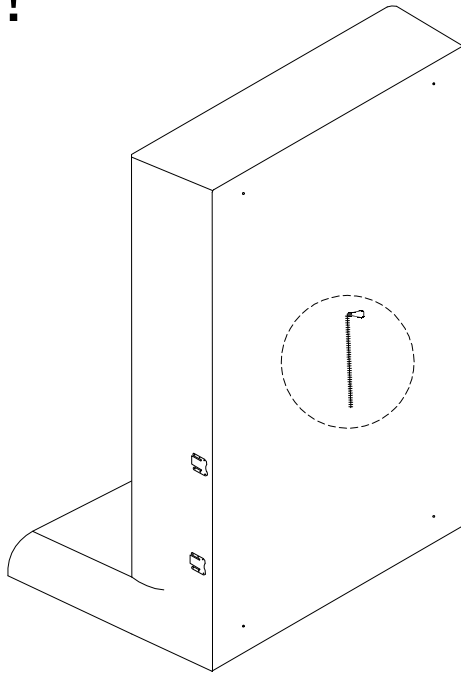
B



C x 4

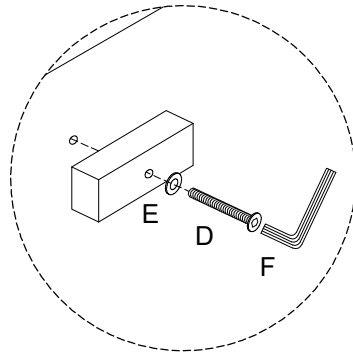
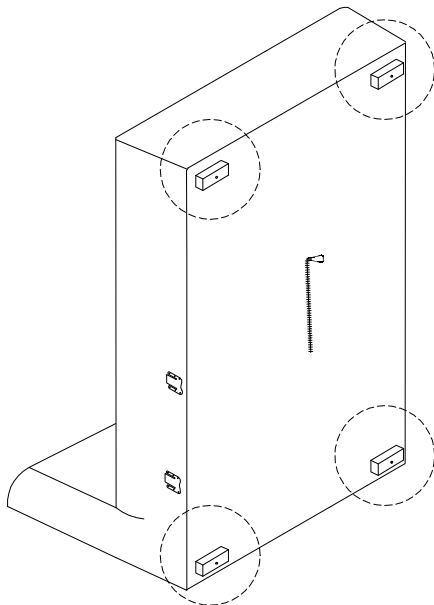


!

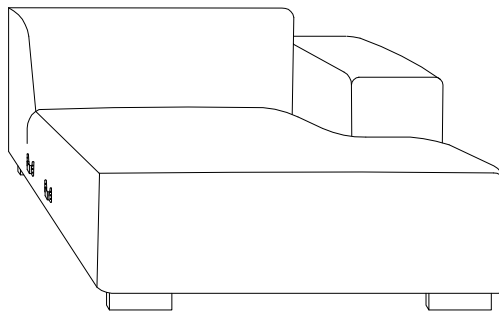
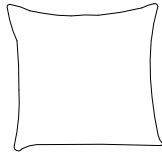
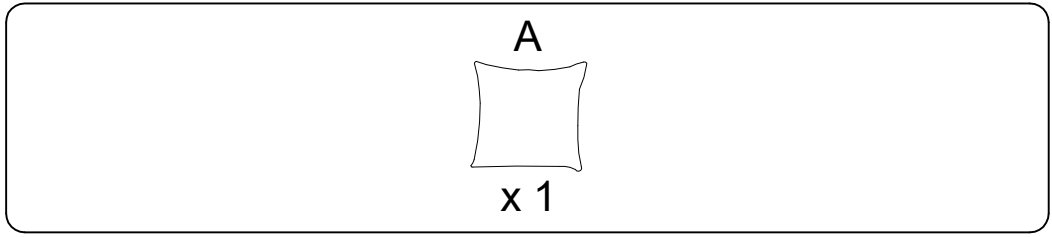


1

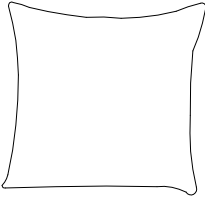
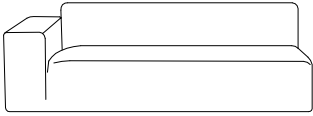
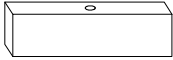
B x 1	C x 1	D M8 x 60 x 4	E x 4	F x 1
---------------------	---------------------	--------------------------------------	---------------------	---------------------



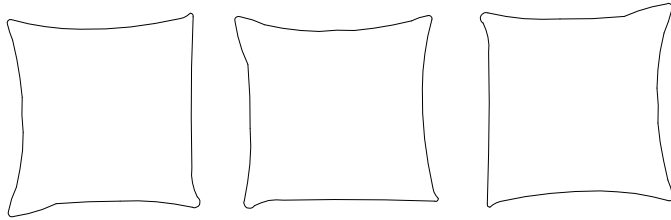
2



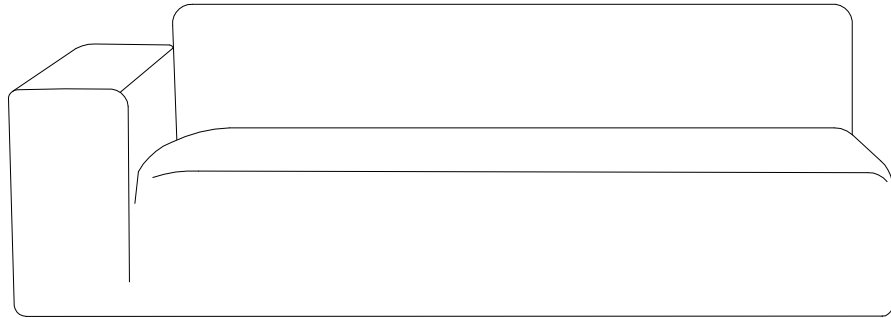
B

<p>A</p>  <p>x 3</p>	<p>B</p>  <p>x 1</p>	<p>C</p>  <p>x 5</p>
---	---	---

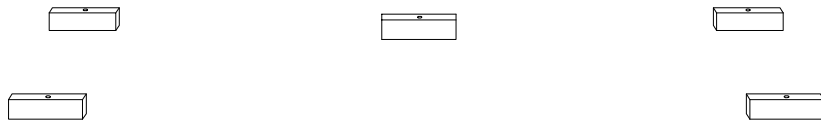
A x 3

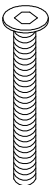
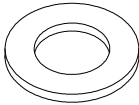
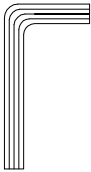


B

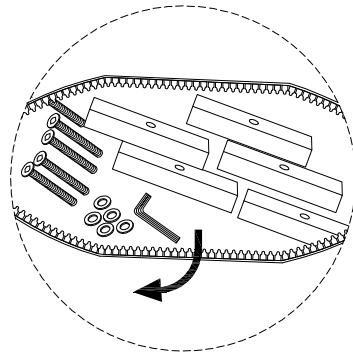
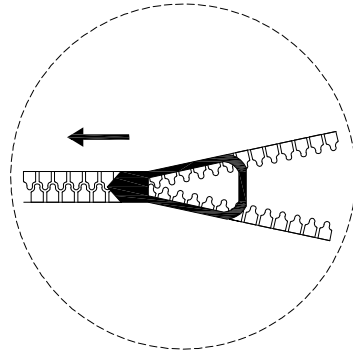
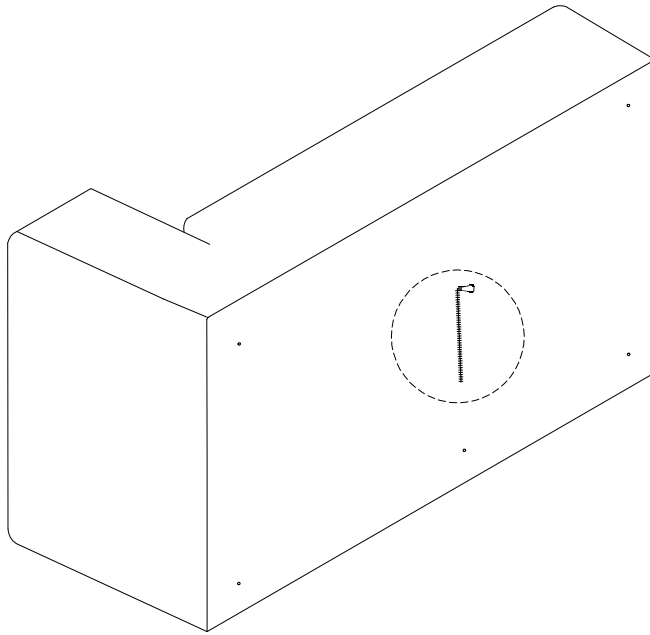


C x 5

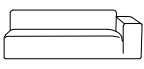
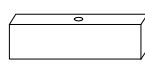
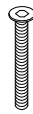

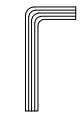


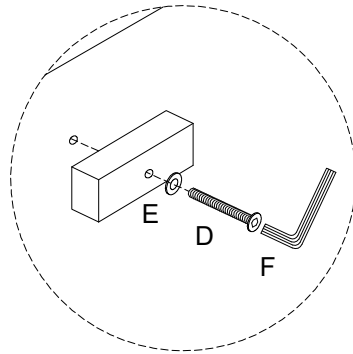
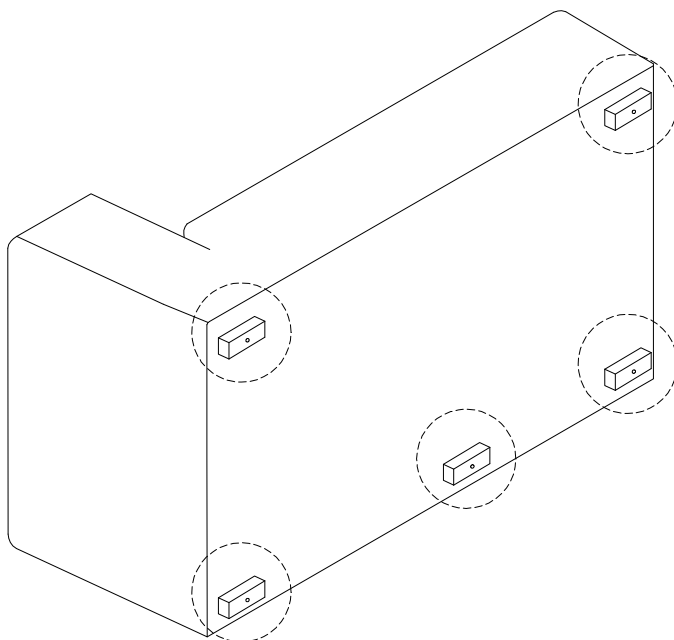
<p>D</p>  <p>M8 x 60</p> <p>x 5</p>	<p>E</p>  <p>x 5</p>	<p>F</p>  <p>x 1</p>
--	---	---

!

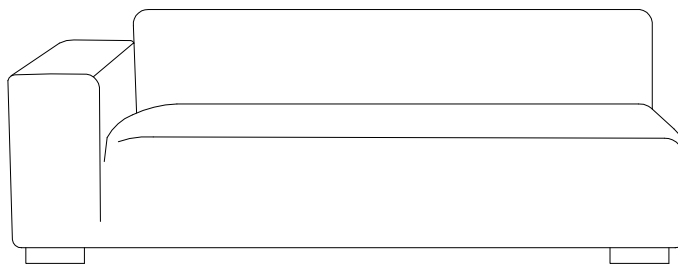
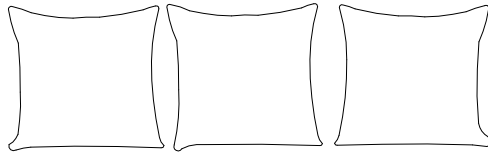
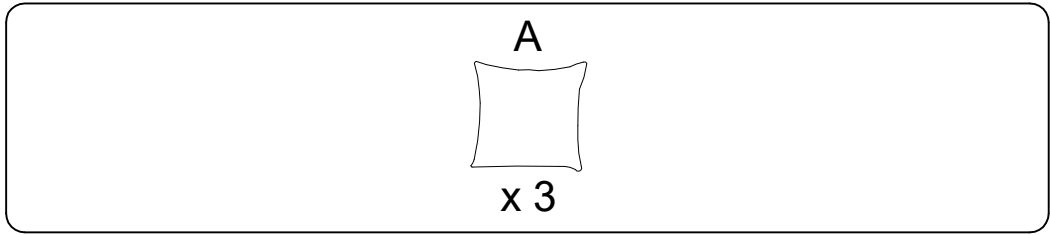


1

B  x 1	C  x 1	D  M8 x 60 x 5	E  x 5	F  x 1
--	--	---	--	--



2



!

