

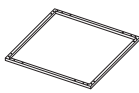
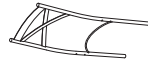


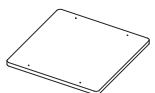
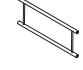
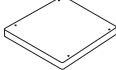
Assembly Instructions

Tips!







Check all the components & screws before assembly. **Do not install in case part is missing, contact us to get.** We will resend within 24 hours.



Components

Table			Chair		
(A)		1	(G)		2
(B)		4	(H)		4
(C)		1	(I)		2
			(J)		2

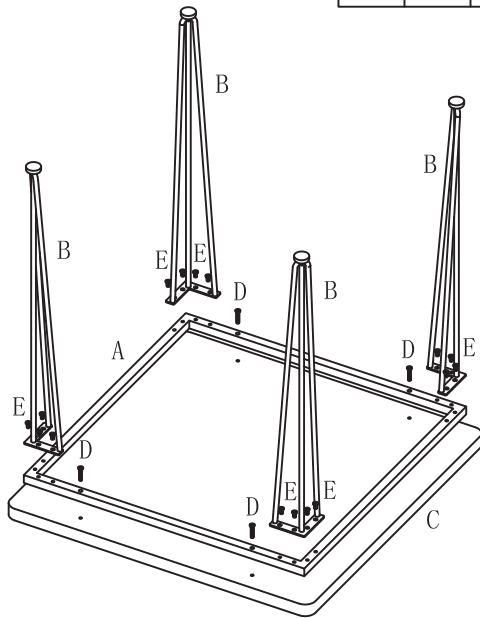
Screws & Tools

Table				Chair			
D		M6*30mm	4	K		M6*35mm	12
E		M6*12mm	16	L		M6*25mm	8
F			1	E		M6*12mm	4

We control manufacturing and distribution ourselves, ensure the quality.

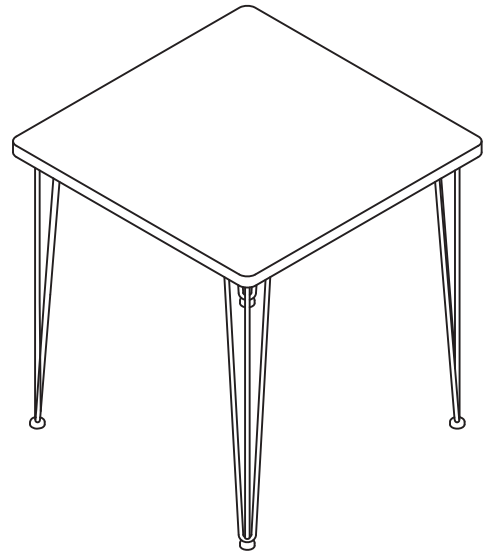
Table Assembly

1



Ex16 D×4

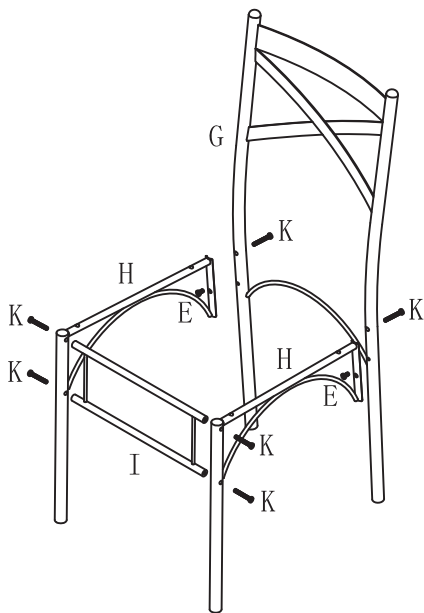
2 Check and tighten all screws



Tips: Tighten screw D first, then screw E.

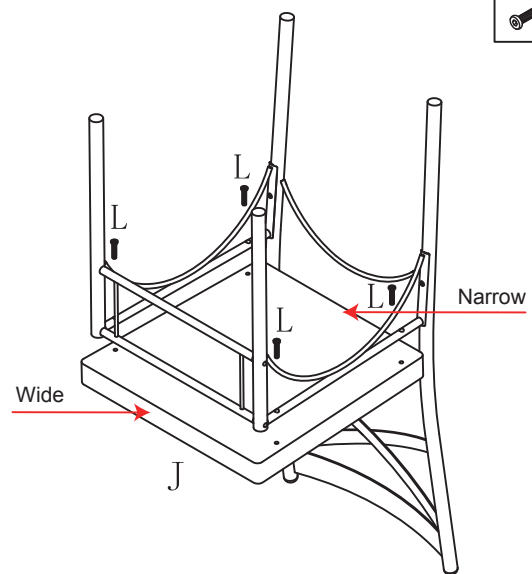
Chair Assembly

1



K×6 E×2

2



L×4

Note: The chair cushion is not square, the side near the back is narrow and the front is wide. When installing, please pay attention to the front and back direction of the seat cushion, otherwise the holes may not be aligned properly.

3 Check and tighten all screws

