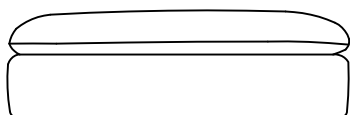


ASSEMBLY INSTRUCTION

A OTTOMAN



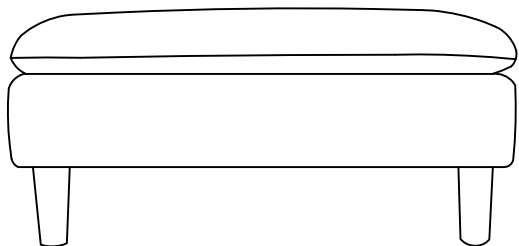
1pc

B LEGS

(Underneath the ottoman)

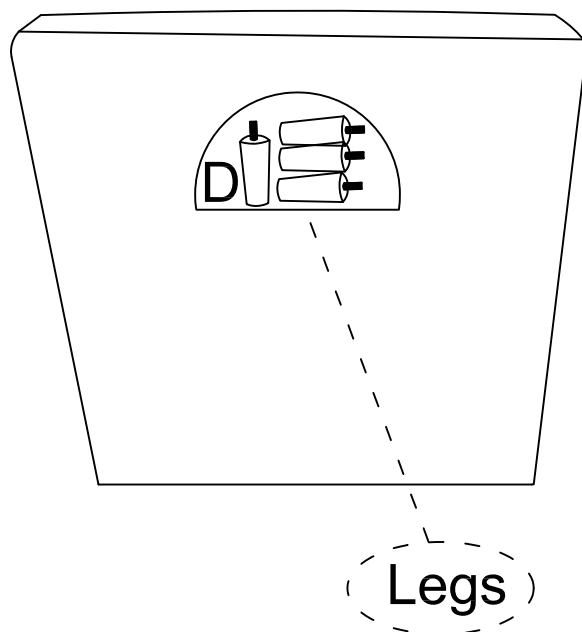


4pcs

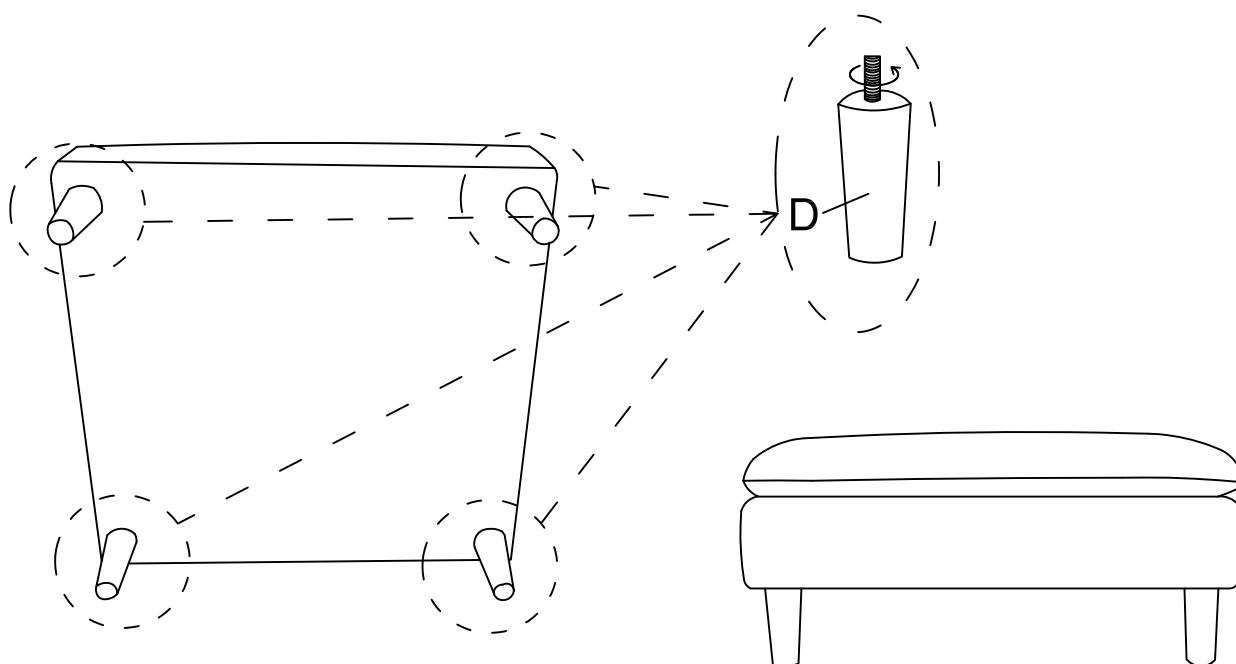


This page lists all the contents included in the box. As you unpack and prepare for assembly, place the contents on a carpeted or padded area to protect them from damage.

-
- 1** The legs(B) are stored at the bottom of ottoman(A), please take out them for assembly.

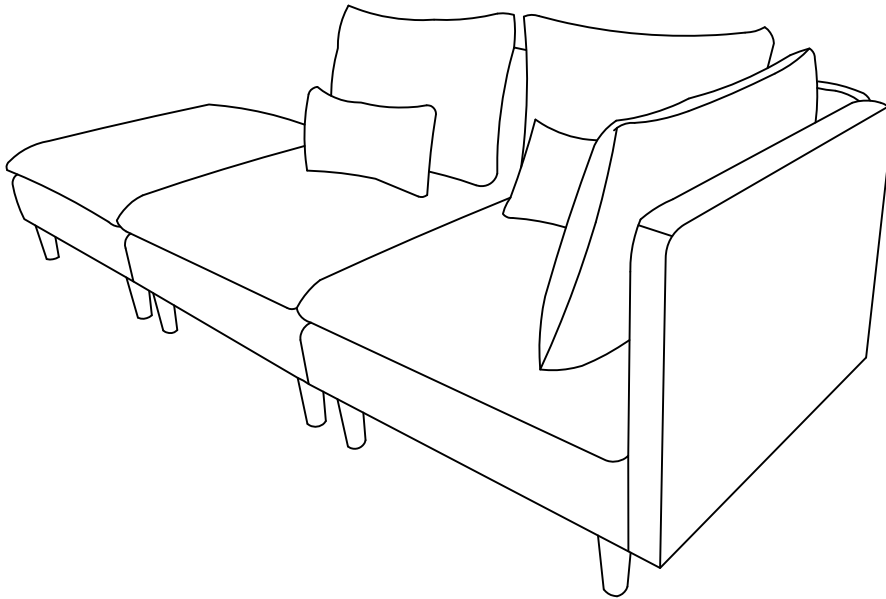


-
- 2** Insert the legs(B) to the pre drilled holes, rotate and tighten it . the assembly is completed .



3

The ottoman can be hooked up with the armless chair together as below.



Cleaning & Care

Treat surface with care, Surface is resistant to scratches but is not scratch resistant, Clean surfaces with a dry or damp soft cloth. Do not use abrasive cleaners. Hardware may loosen over time. Periodically check that all connections are tight .