

ASSEMBLY INSTRUCTIONS


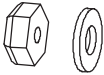
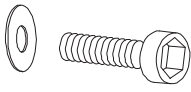



JCTF-V1



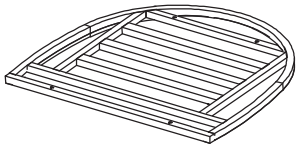
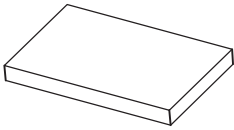
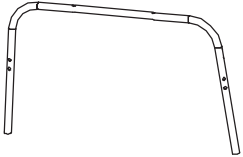
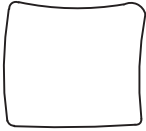
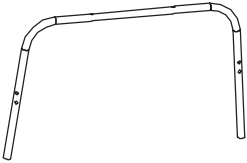
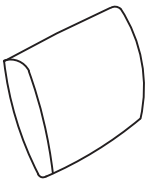
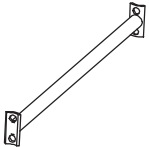


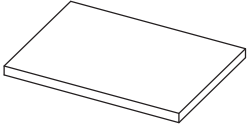

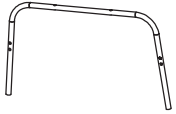

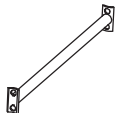
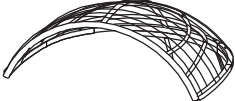
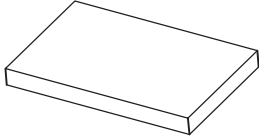
ASSEMBLY INSTRUCTIONS

Notice:

1. Follow the installation instructions. Please confirm all accessories are preset before installation.
2. Do not fully tighten the screws during initial assembly. Fully tighten screws only once all pieces which are correctly assembled.
3. If you encounter any problems during installation, refer to two solutions: Follow the installation video tutorial on the Amazon product page or contact our customer service.

Item no.	Reference Image	Qty.	Item no.	Reference Image	Qty.
A	 M6*35	× 20	D		× 18
B	 M6*45	× 6	-		× 1
C	 M6*15	× 16	-		× 1

ASSEMBLY INSTRUCTIONS

Item no.	Reference Image	Qty.	Item no.	Reference Image	Qty.
1		×1	9		×1
2		×1	10		×1
3		×1	11		×2
4		×2	12		×1
5		×1	13		×1
6		×1	14		×2
7		×1	15		×2
8		×1	16		×1

ASSEMBLY INSTRUCTIONS

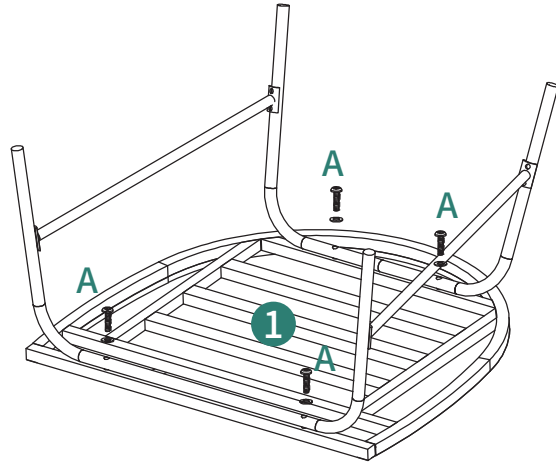
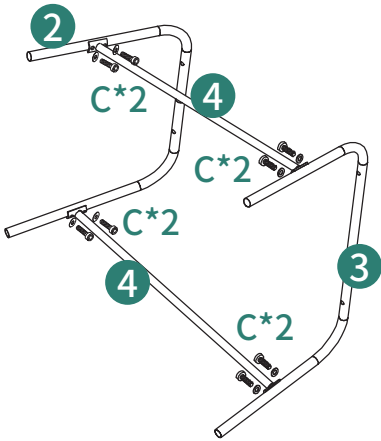
1



Ⓐ 4PCS



Ⓒ 8PCS



2



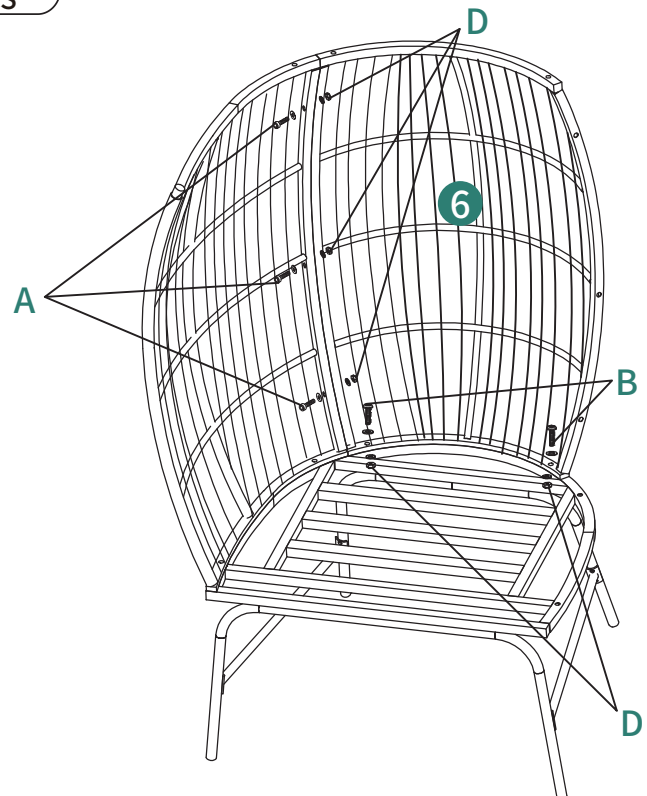
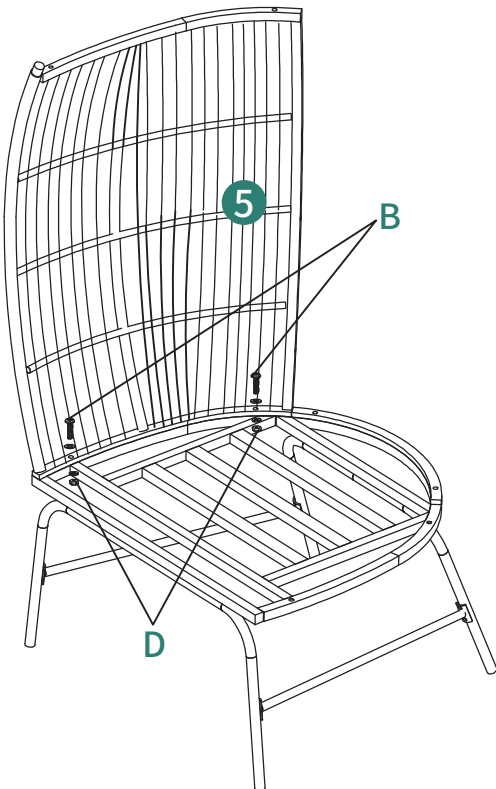
Ⓐ 3PCS



Ⓑ 4PCS



Ⓓ 7PCS



ASSEMBLY INSTRUCTIONS

3



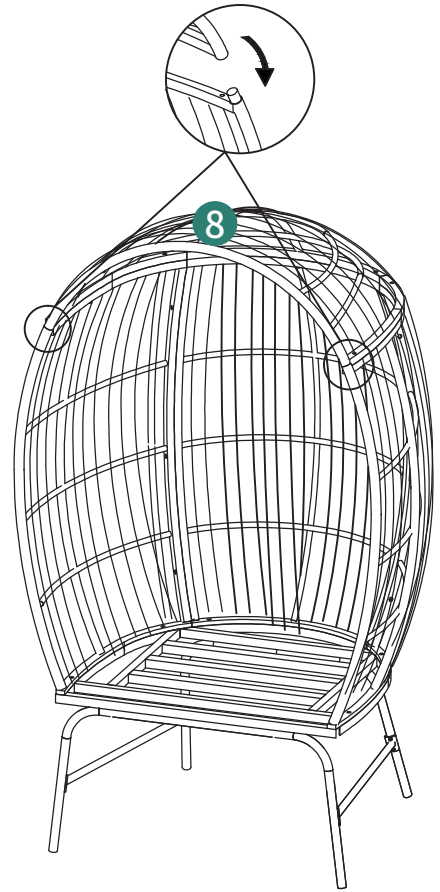
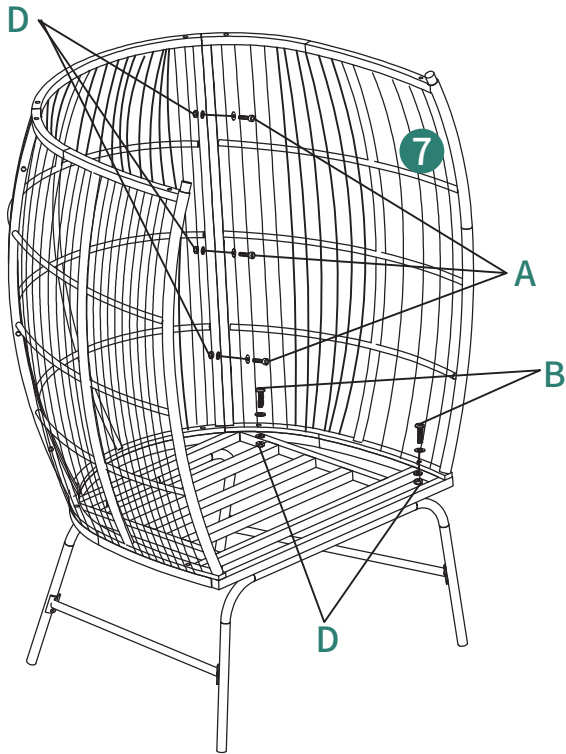
Ⓐ 3PCS



Ⓑ 2PCS



Ⓓ 5PCS



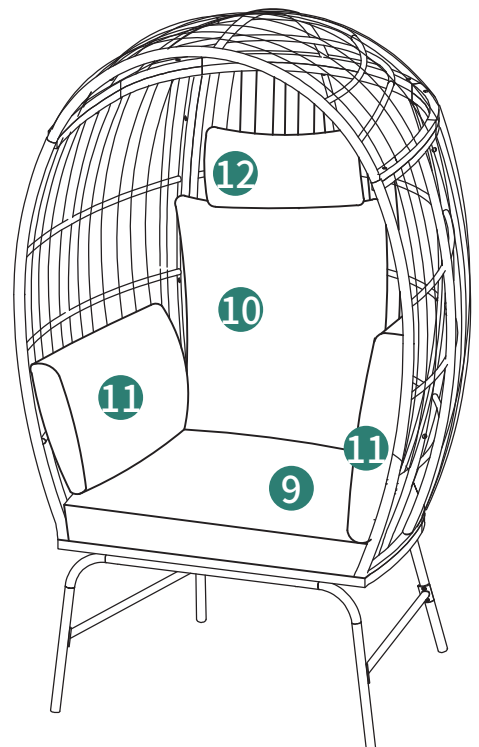
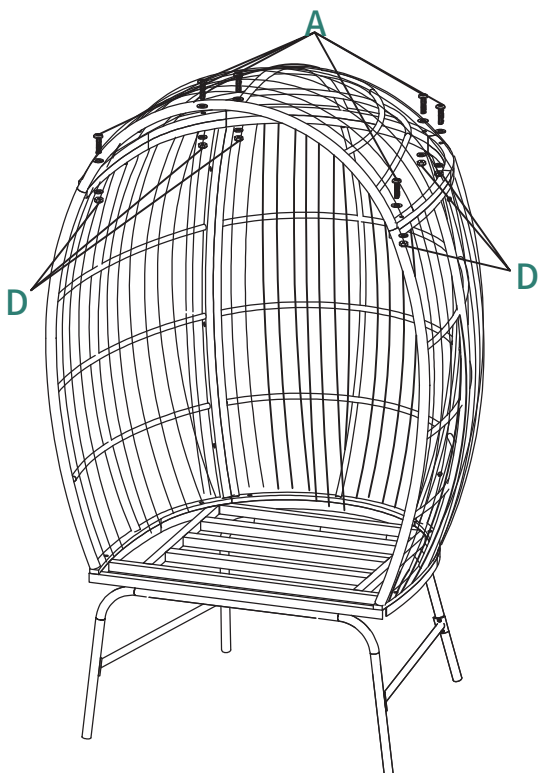
4



Ⓐ 6PCS



Ⓓ 6PCS



ASSEMBLY INSTRUCTIONS

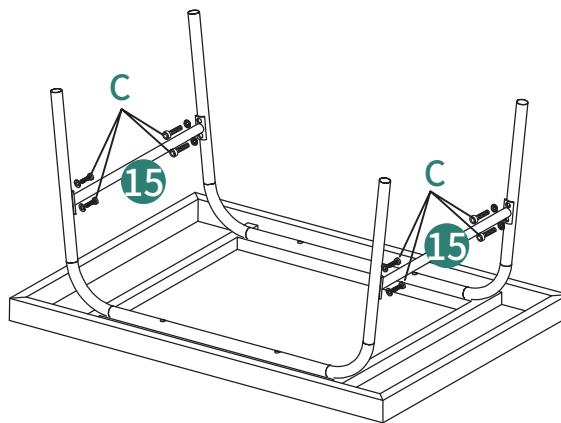
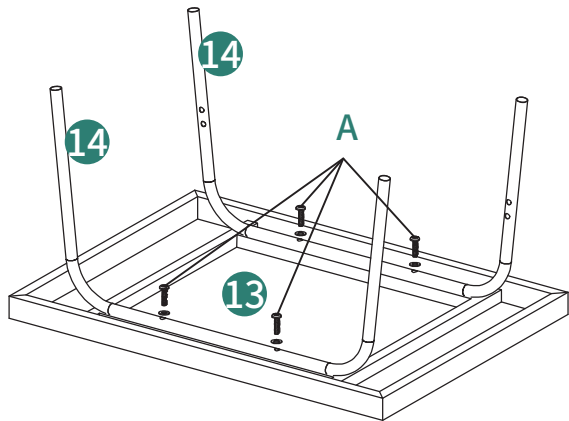
5



A 4PCS



C 8PCS



6

