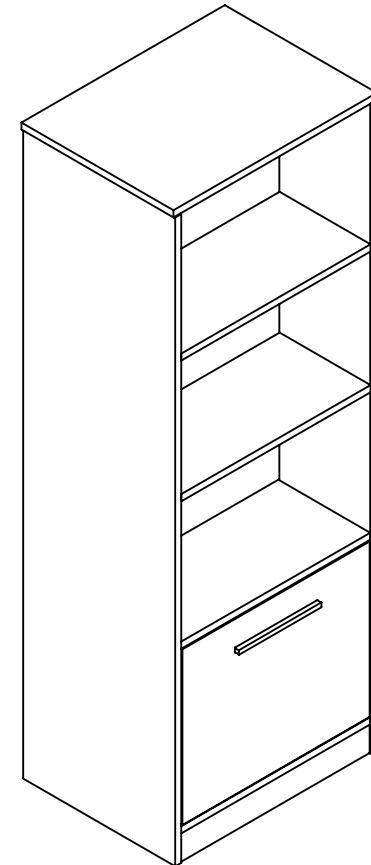
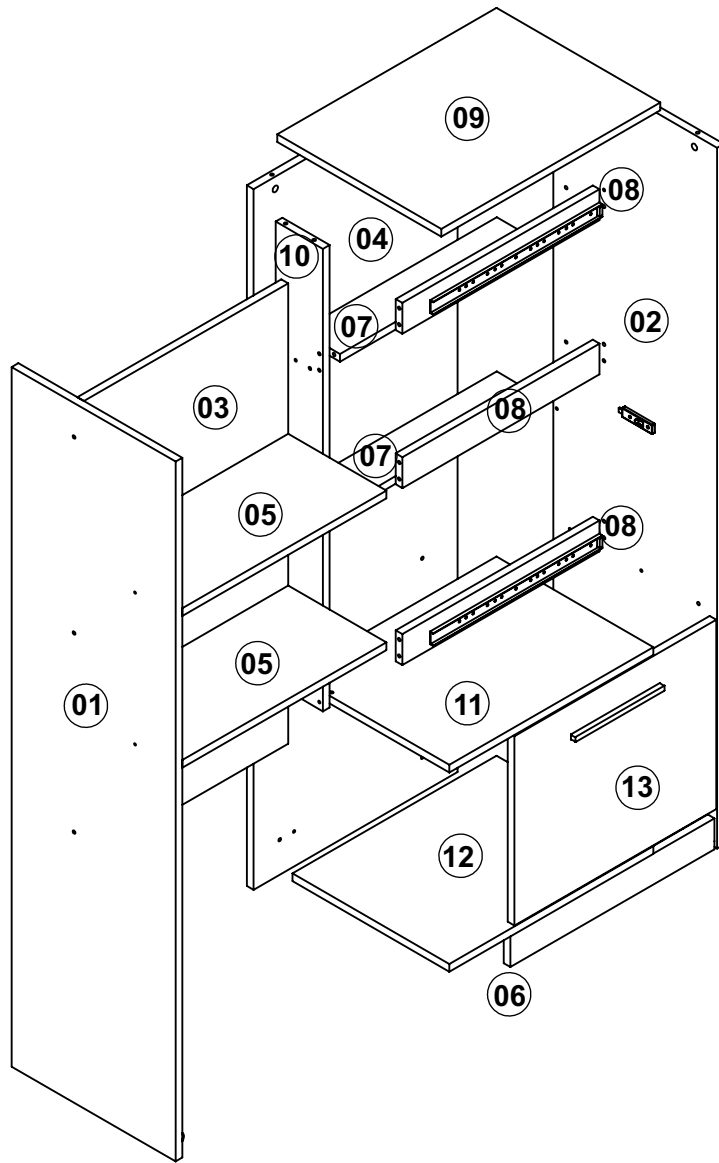


Installation & Assembly



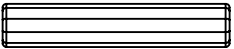


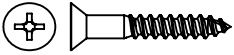



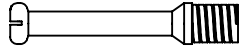

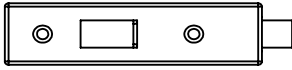
We're thrilled to have you as a customer and to be part of your home.
Your trust means the world to us, and we hope you'll think of us for future home furnishing needs.
Your feedback is incredibly valuable as we continue to design products that bring your dreams to life.

ASSEMBLY INSTRUCTIONS



COD	DESCRIPTION	DIMENSIONS	QTY
01	LEFT SIDE	53 1/2"x 14 1/2"x 5/8"	01
02	RIGHT SIDE	53 5/8"x 14 1/2"x 5/8"	01
03	FRONT BACK	35 1/4"x 18"x 5/8"	01
04	BACK	53 5/8"x 18"x 5/8"	01
05	FRONT SHELF	19 1/8"x 8 5/8"x 5/8"	02
06	FOOTER	19 1/8"x 2 3/8"x 5/8"	01
07	REAR SHELF	17 3/8"x 3 1/2"x 5/8"	02
08	CROSSPIECE	17 3/8"x 2 3/8"x 5/8"	03
09	TOP	19 3/8"x 14 1/2"x 5/8"	01
10	INTERNAL SIDE	35 3/8"x 4 1/4"x 5/8"	01
11	UPPER SHELF	18"x 13 7/8"x 5/8"	01
12	LOWER SHELF	18"x 13 7/8"x 5/8"	04
13	PORTA	17 7/8"x 14 1/2"x 5/8"	01

IMPORTANT: PLEASE READ THE INSTRUCTIONS CAREFULLY BEFORE ASSEMBLY.

A		WOOD DOWEL $\varnothing 6 \times 30 \text{MM}$	45
B		FOOT	05
C		SCREW $\varnothing 3,5 \times 40 \text{ CC}$	24
D		SCREW $\varnothing 4 \times 22 \text{ CC}$	02
E		SCREW $\varnothing 3,5 \times 20 \text{ CC}$	02
F		SCREW $\varnothing 3,5 \times 14 \text{ CC}$	28
G		SCREW $\varnothing 3 \times 10 \text{ CC}$	10
H		MINIFIX SCREW	04
I		MINIFIX DRUM 12MM	04
J		SAFETY CATCH	01

RECOMMENDATIONS:

- 01 – Carefully check all parts before starting assembly.
- 02 – We strongly recommend assembling this product by following the steps provided in this Instruction Manual.
- 03 – It is the assembler's responsibility to ensure that the furniture is properly assembled according to the instructions.
- 04 – Make sure all bolts, nuts, and screws are securely fastened, but be careful not to overtighten them.

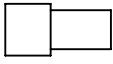

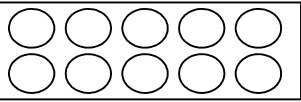
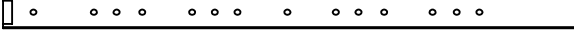
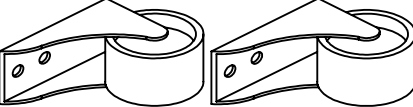
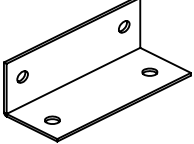
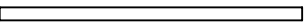
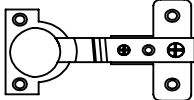
CLEANING:

- 01 – Wipe with a cloth slightly dampened with water.
- 02 – Avoid using chemicals or abrasive cleaners.

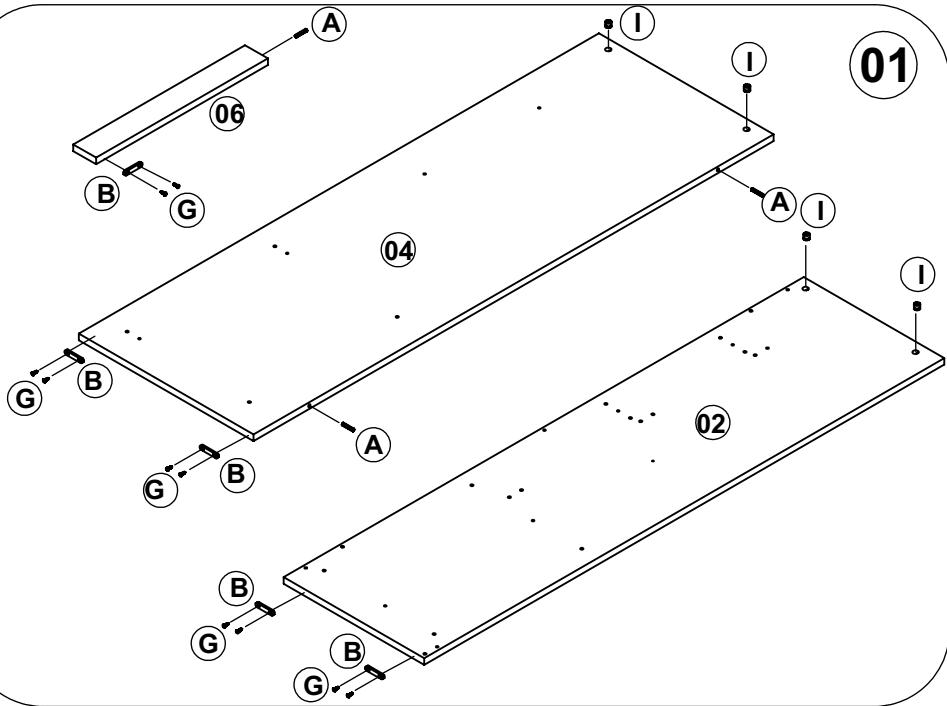
WARNINGS:

- 01 - Keep the product away from open flames and other heat sources, such as electric or gas heaters.
- 02 - Do not use the product if any parts are broken, torn, or missing. Only use manufacturer-approved replacement parts.

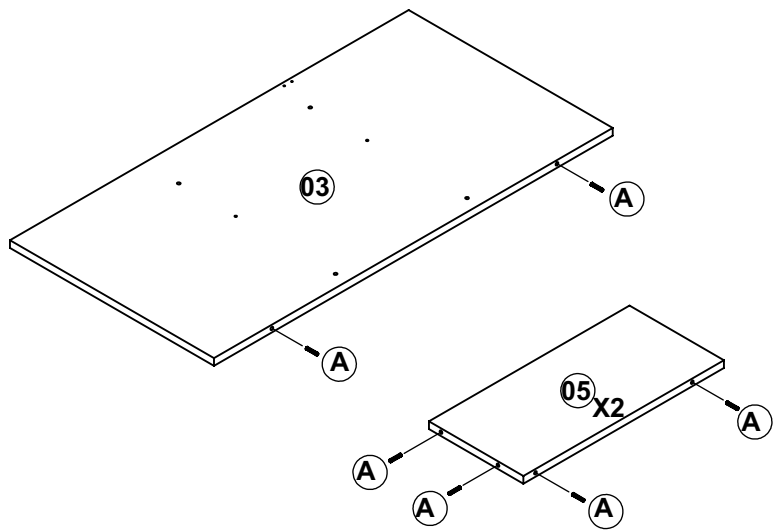


K		SHELF SUPPORT $\varnothing 6 \times 8 \text{MM}$	01
L		GLUE	01
M		STICKER 12MM	18
N		SLIDE 400 MM	01
O		CASTERS	02
P		CORNER	02
Q		PULL	01
R		HINGE $\varnothing 26 \times 12$	02

01

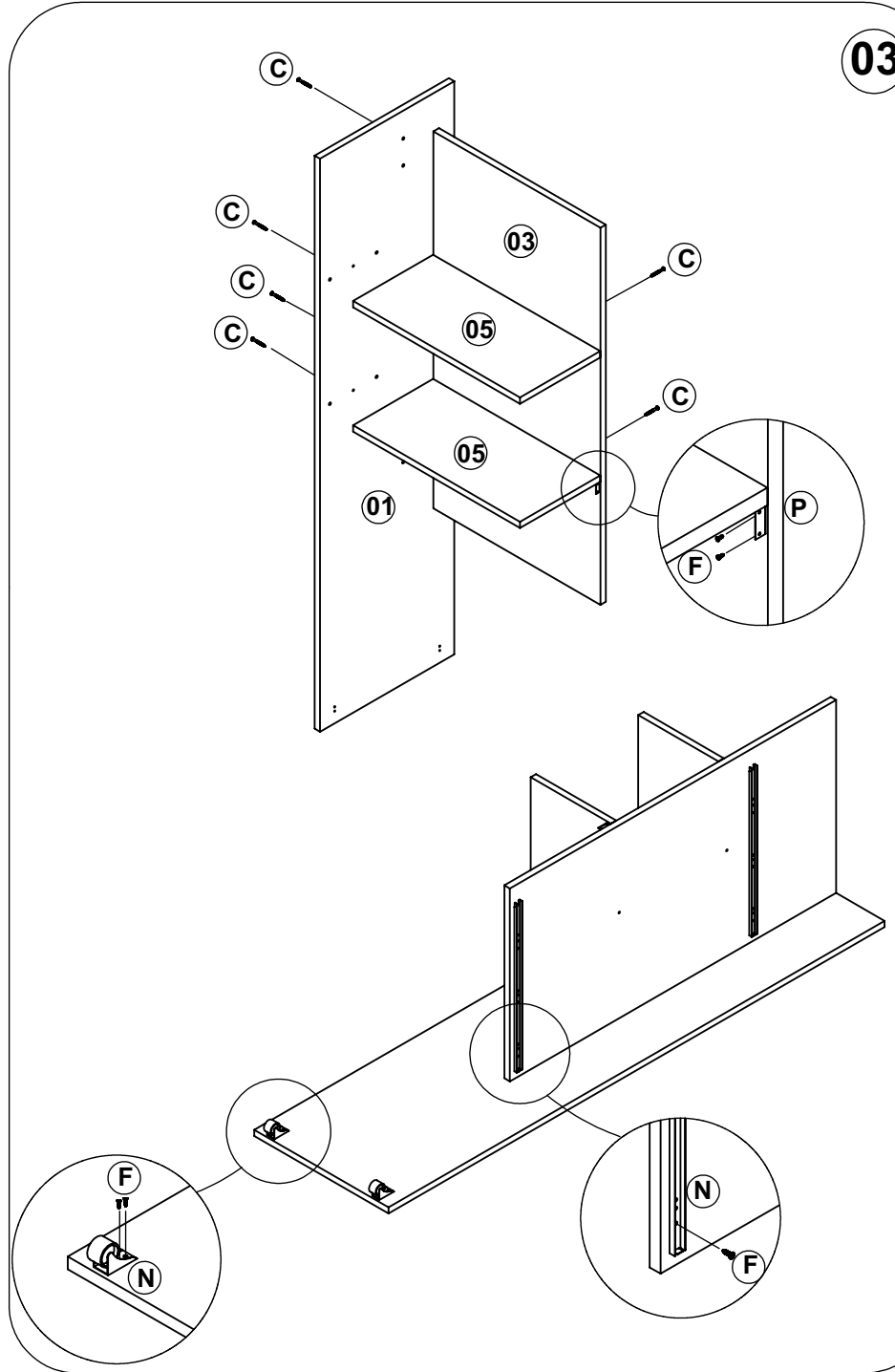


02

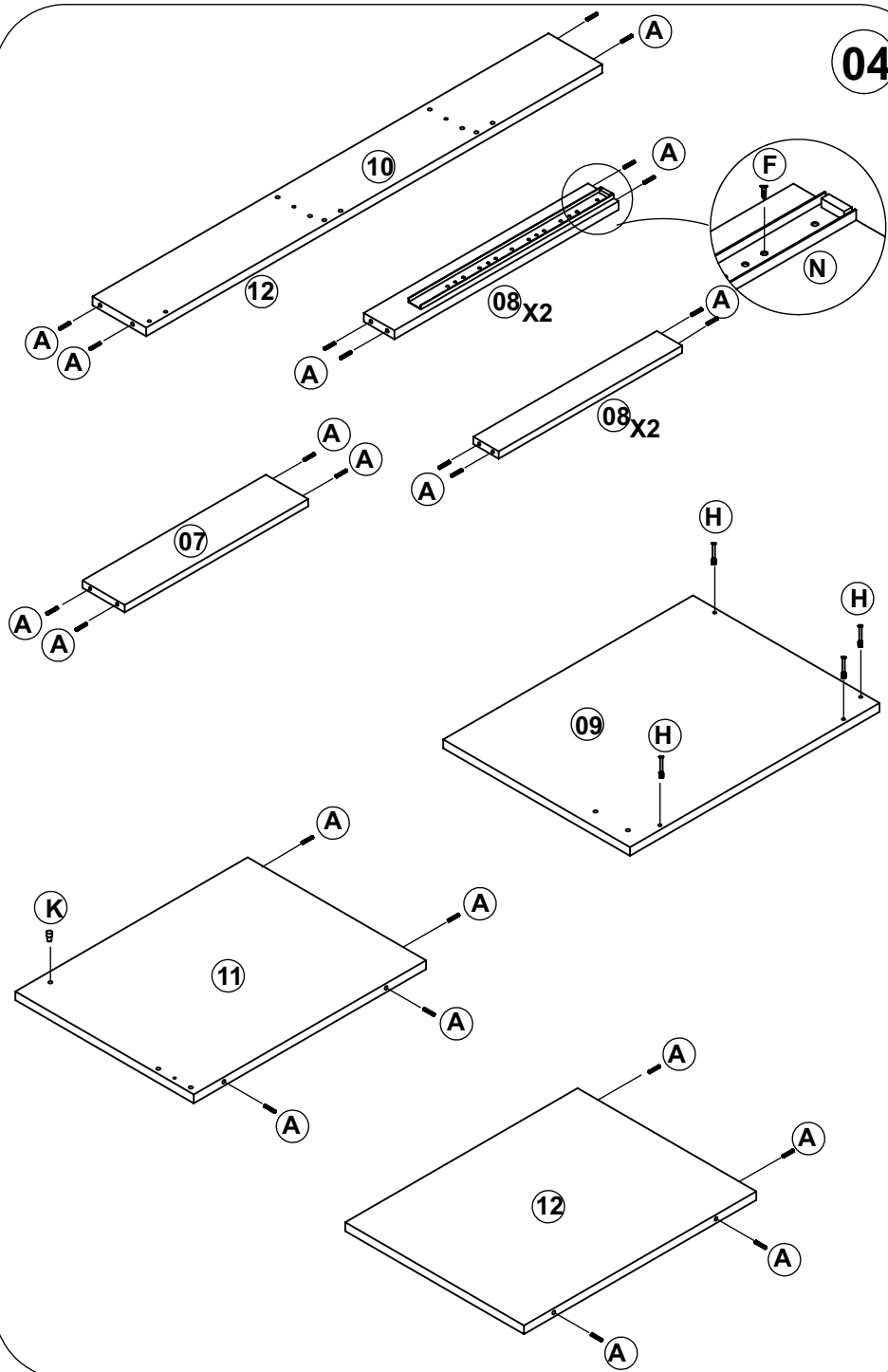


PLACE GLUE "L" ON DOWELS "A".

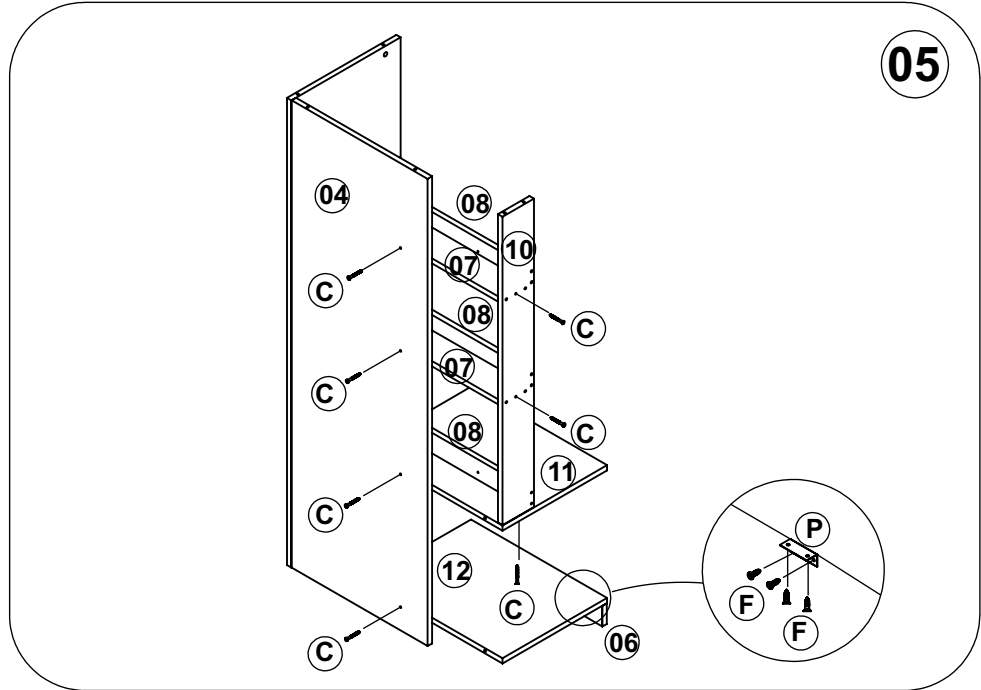
03



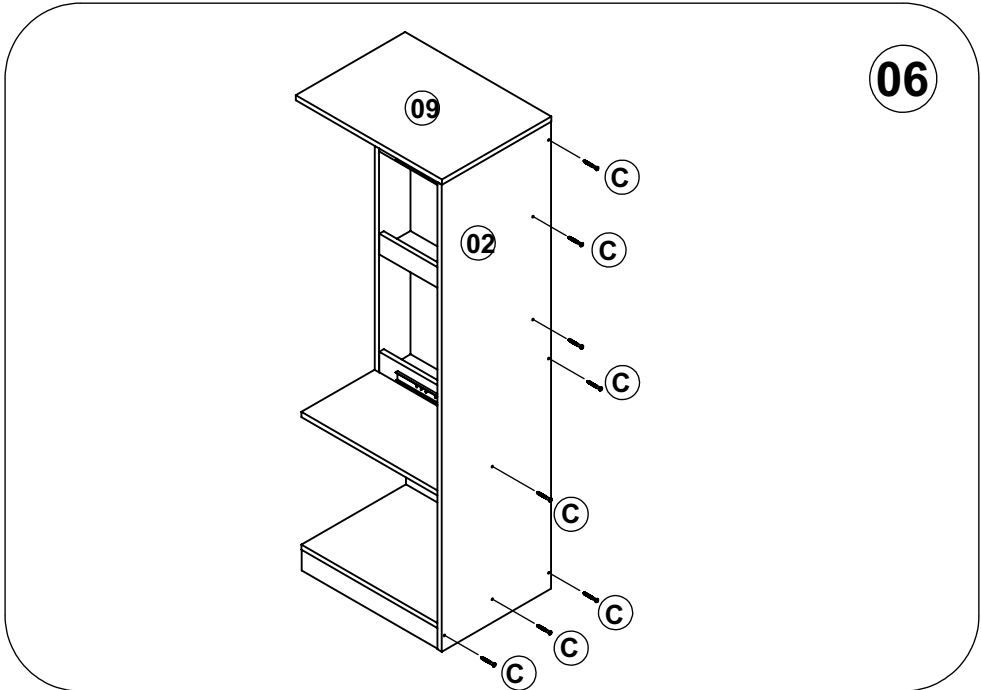
04



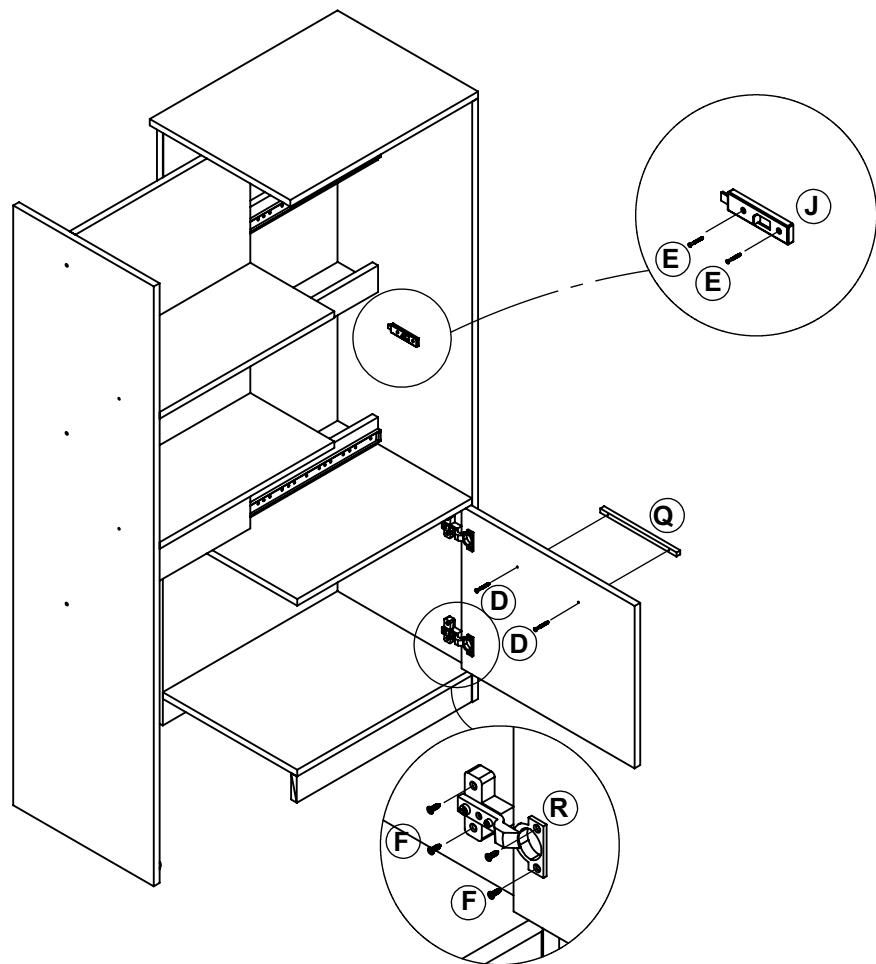
05



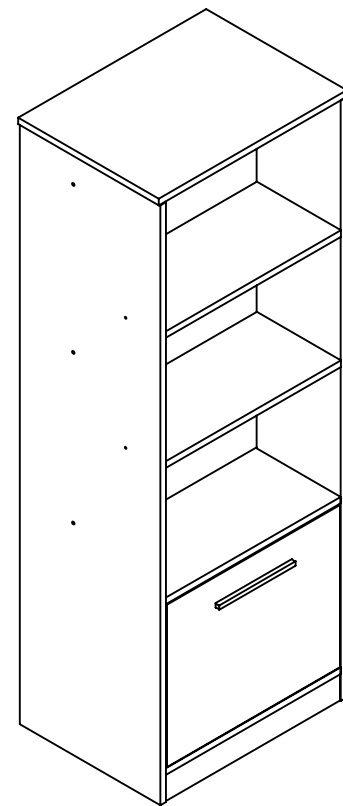
06



07



08



MAXIMUM WEIGHT CAPACITY: 66,13 lbs