

INSTRUCTION MANUAL



5PCS Dining Set

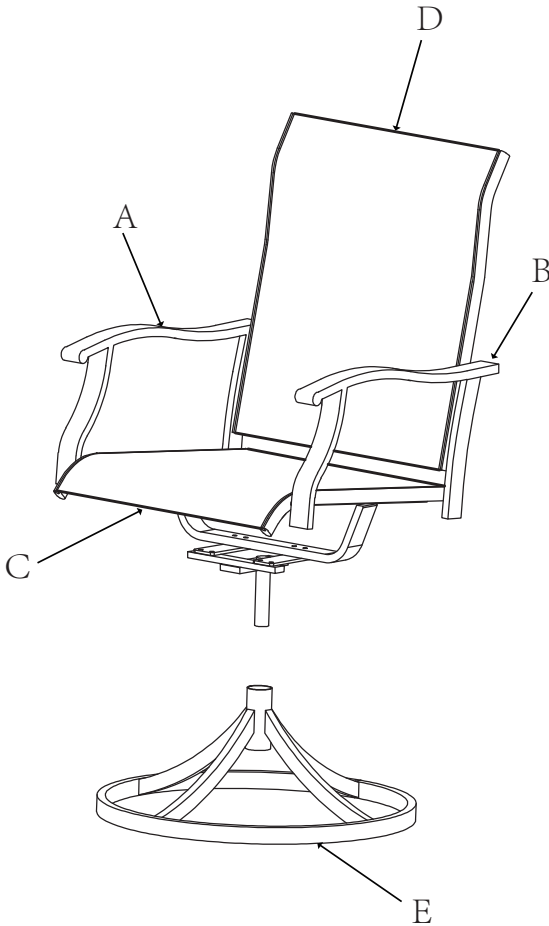
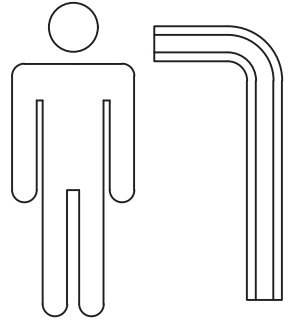
INTRODUCTION

Thanks for purchasing and trusting with your home deco-rating plans.
This product is a furniture designed and made Corp.

We are committed to R&D innovation and to create the most refined,
diverse choice of outdoor collection.

After unpacking and before every use, check whether the item shows
any damages. In addition, check that you have all parts and hardwares
before assembly. If you do not have all the parts lists, have your
dealer contact us and they will be sent to you immediately.

This furniture is intended for indoor and outdoor use. Please take time to
read and follow the instruction below. Use the item as described in this
operating manual. We accept no liability for damages caused by improper
use.

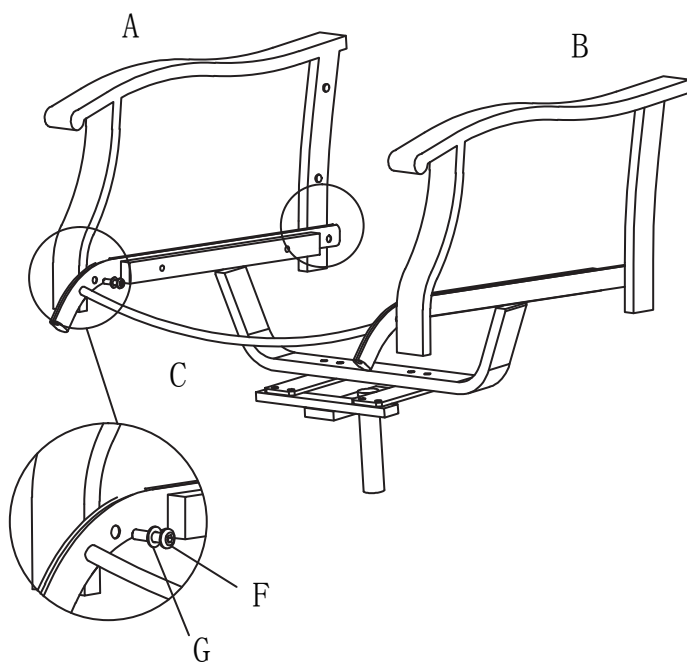


Part Number	Images and Sizes	Qty.
A		1
B		1
C		1
D		1
E		1
F	 M6*30	8
G		8

ASSEMBLY INSTRUCTIONS

CAVEAT

Note: Please do not tighten any bolt until all bolts have been put into right place.
If you tighten one bolt, it may cause other bolts out of position.



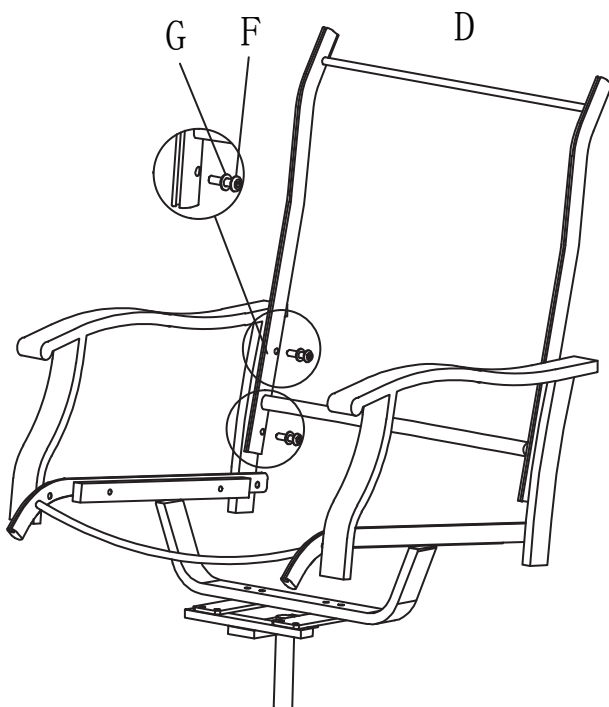
STEP 1

Attach the right and left armrest (A/B) to the seat (C) with 4 washers (G) and 4 bolts (F).
Do not screw down.

ASSEMBLY INSTRUCTIONS

CAVEAT

Note: Please do not tighten any bolt until all bolts have been put into right place.
If you tighten one bolt, it may cause other bolts out of position.



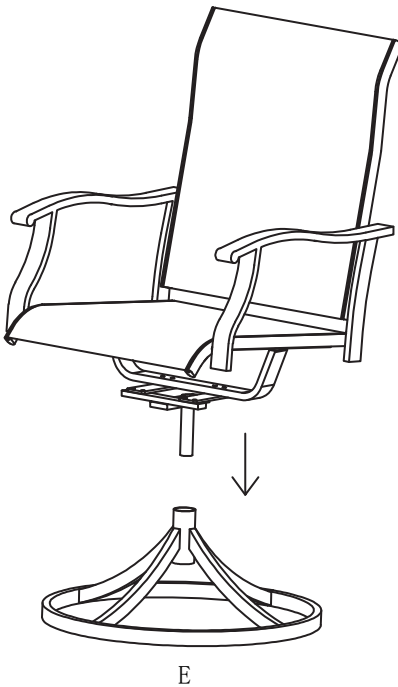
STEP 2

Attach the Back (D) to the right and left armrest (A/B) with 4 washers (G) and 4 bolts (F).
Do not screw down.

ASSEMBLY INSTRUCTIONS

CAVEAT

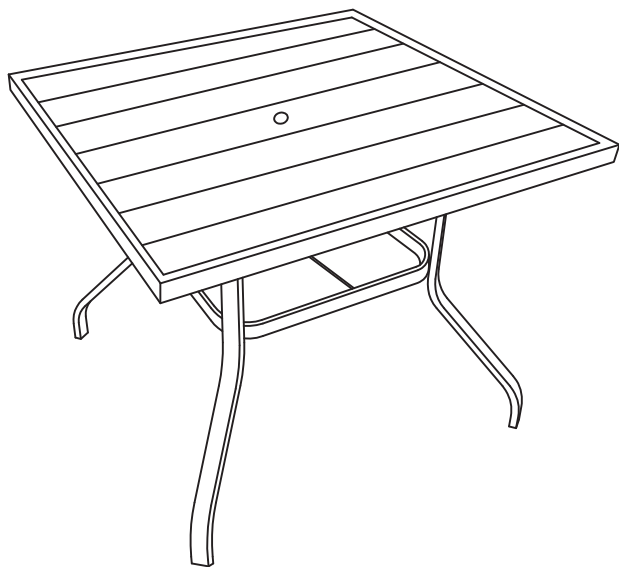
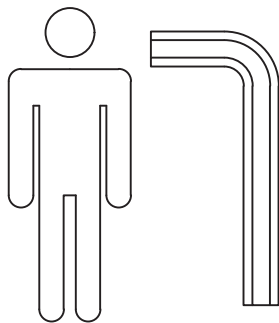
Note: Please do not tighten any bolt until all bolts have been put into right place.
If you tighten one bolt, it maybe cause other bolts out of position.



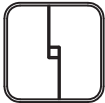
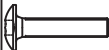




STEP 3

Tighten all screws.

Insert the assembled part into the base (E).

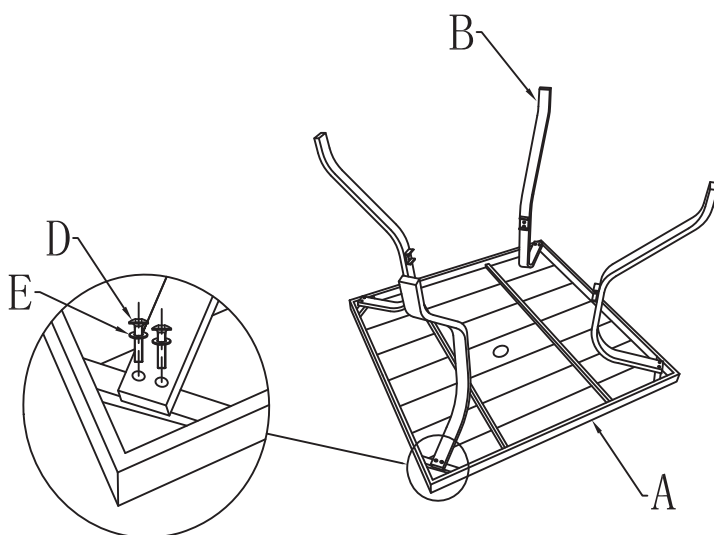


Part Number	Images and Sizes	Qty.
A		1
B		4
C		1
D	 M6*30	16
E		16
F		1

ASSEMBLY INSTRUCTIONS

CAVEAT

Note: Please do not tighten any bolt until all bolts have been put into right place.
If you tighten one bolt, it maybe cause other bolts out of position.



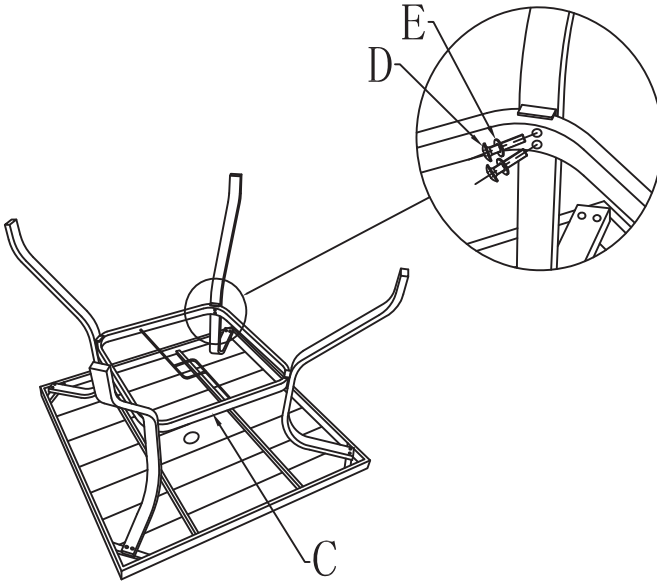
STEP 1

Attach 4 legs (B) to table top (A) using 8 washers (E) and 8 bolts(D). Do not screw down.

ASSEMBLY INSTRUCTIONS

CAVEAT

Note: Please do not tighten any bolt until all bolts have been put into right place.
If you tighten one bolt, it maybe cause other bolts out of position.



STEP 2

Attach fix ring (C) together using 8 washers (E) and 8 bolts(D), Do not screw down.
Upon completion of full assembly and bolted up-all screws can be tightened down.

CARE AND MAINTENANCE

Follow the instruction for the material of your special product to make sure that it stays in the best shape for as long as possible. The information below is only intended as a general guideline. For more information, please contact us.

- Only need to rinse it thoroughly with clean water to wash away dirt and grime. Never use abrasive cleansers on the furniture, since it can attack the surfaces and leave behind scratch marks.
- For the stubborn grime and stains, just use a soft sponge and mild soapy water and then dry it with a cloth or paper towel.
- Check the stability of the screws, nuts and nut caps prior to each use. Tighten up them after one to two month's use whenever required.
- Avoid improper use, and be careful not to scratch or damage the surface with sharp objects.
- When you move your furniture, make sure you lift it rather than pulling or pushing it to avoid damaging the floor, legs and mounting.