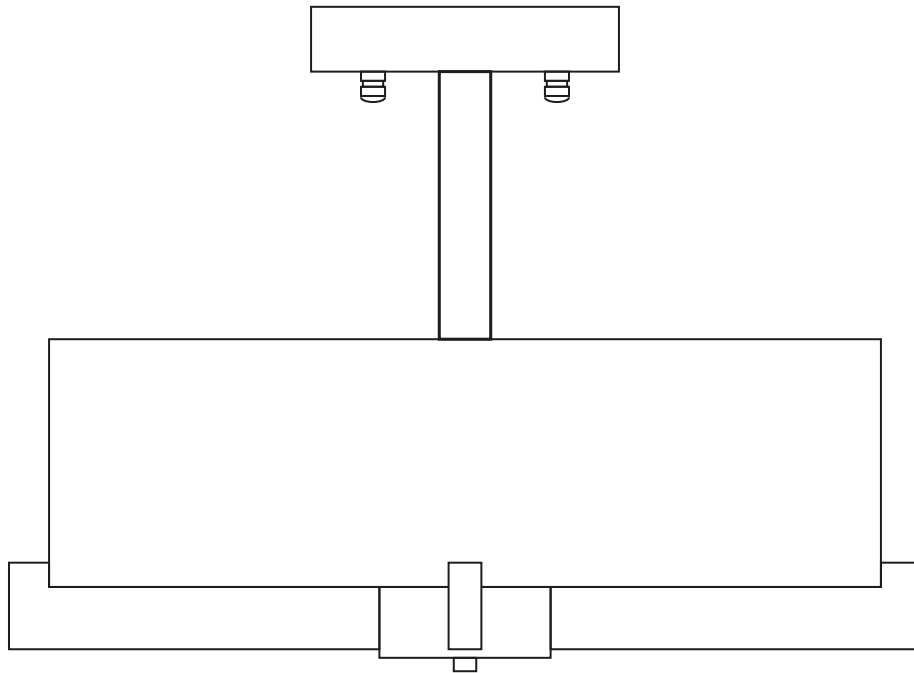

SEMI FLUSH MOUNT CEILING LIGHT

ASSEMBLY INSTRUCTIONS

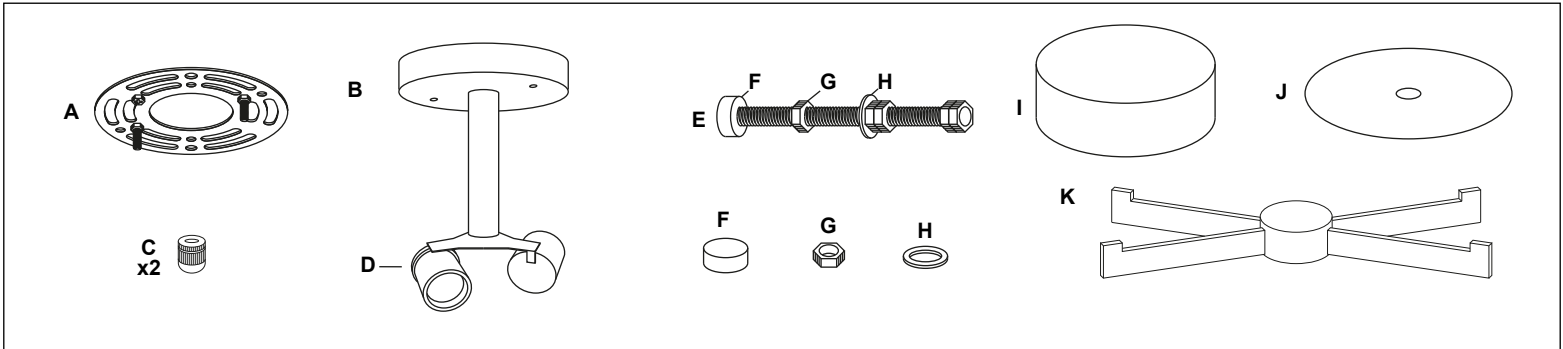
REMOVE ALL PARTS FROM PACKAGE, BE CAREFUL NOT
TO DAMAGE ANY COMPONENTS.



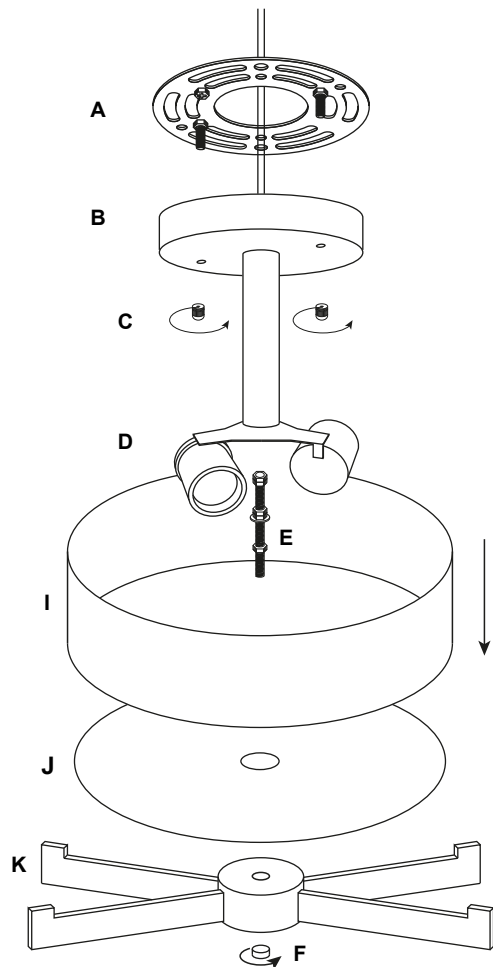
PROFESSIONAL INSTALLATION RECOMMENDED

SEMI FLUSH MOUNT CEILING LIGHT

REMOVE ALL PARTS FROM PACKAGE, BE CAREFUL NOT TO DAMAGE ANY COMPONENTS.



1. Attach screw and nut assembly [E] to bottom of light hub base [D]. Remove decorative nut [F], standard nut [G] and red washer [H] from screw and nut assembly [E].
2. Remove plastic overwrap from shade [I]. Place shade [I] over end of screw and nut assembly [E]. Place diffuser [J] over screw and nut assembly [E]. Place the red washer [H], then the standard nut [G] on screw and nut assembly [E].
3. Place the decorative bracket [K] over screw and nut assembly [E], so that it covers the visible shade spokes. Secure with decorative nut [F].
4. Install bulbs 60W max (bulbs not included).
5. Detach mounting plate [A] from canopy [B] by removing canopy nuts [C].
6. Mounting plate [A] will attach to ceiling junction box.
7. Install light to ceiling. We recommend installation by a qualified electrical professional.



Note: Turn off switch before replacing a bulb. Make sure the bulb has sufficient time to cool down.