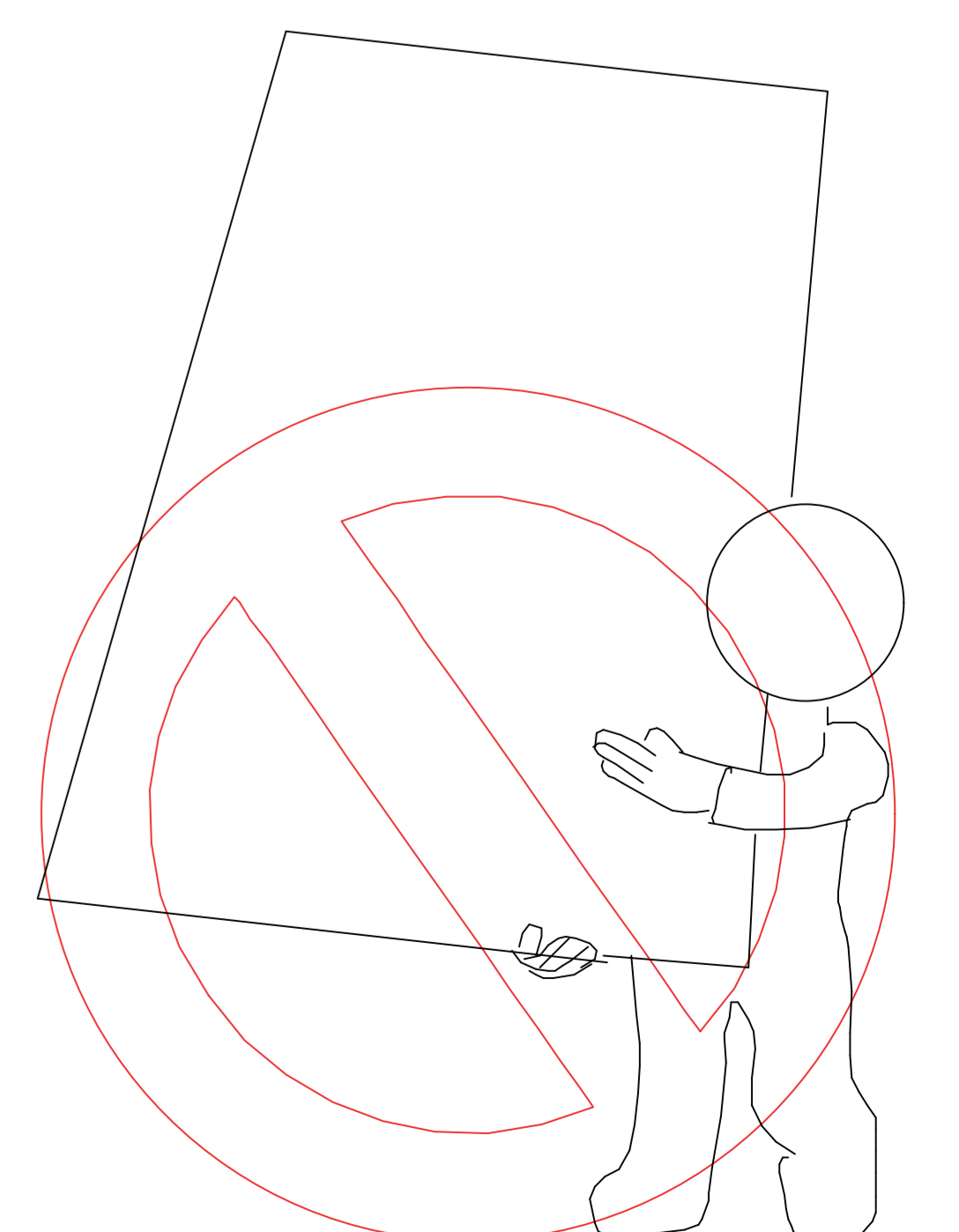
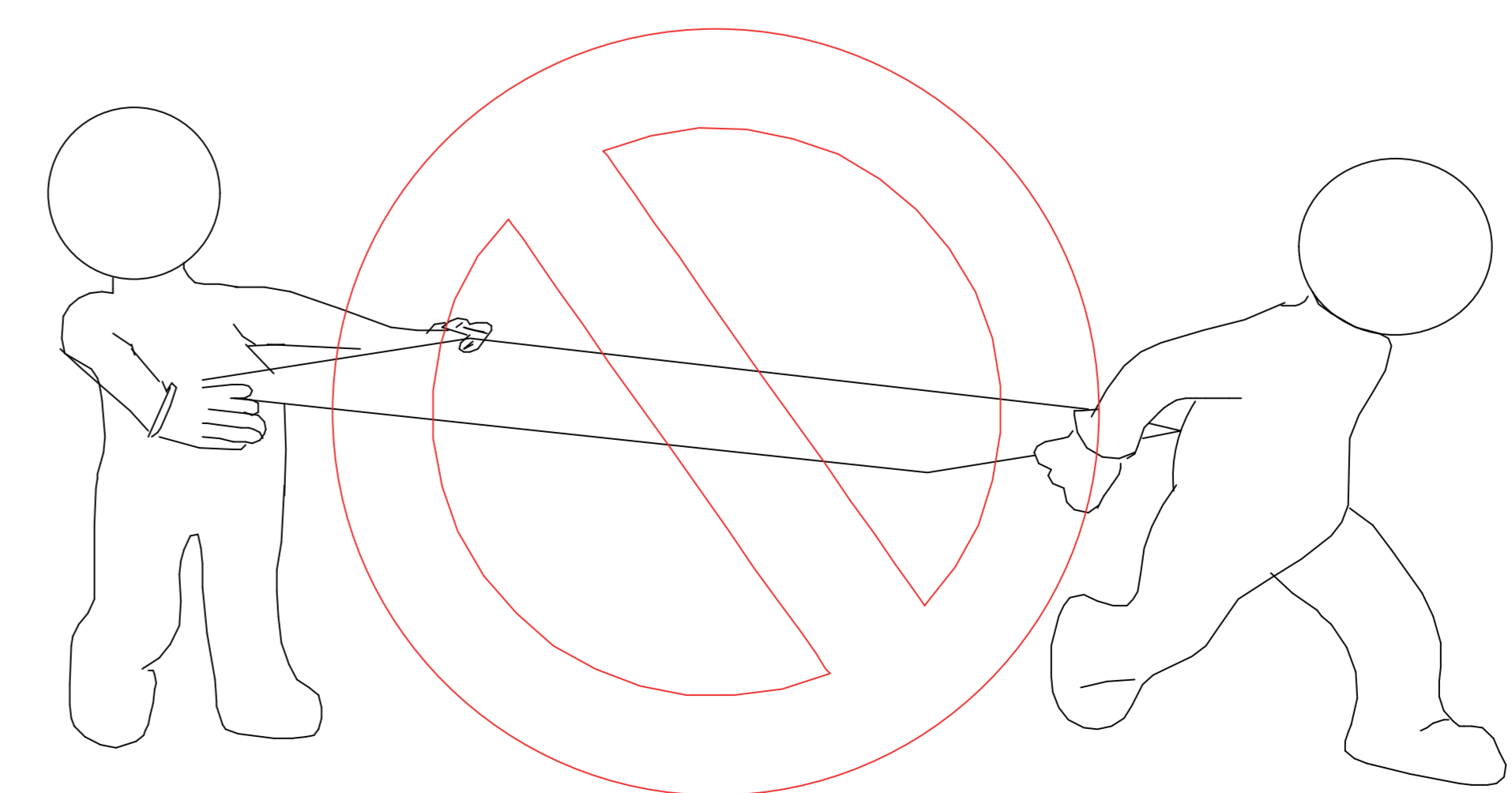
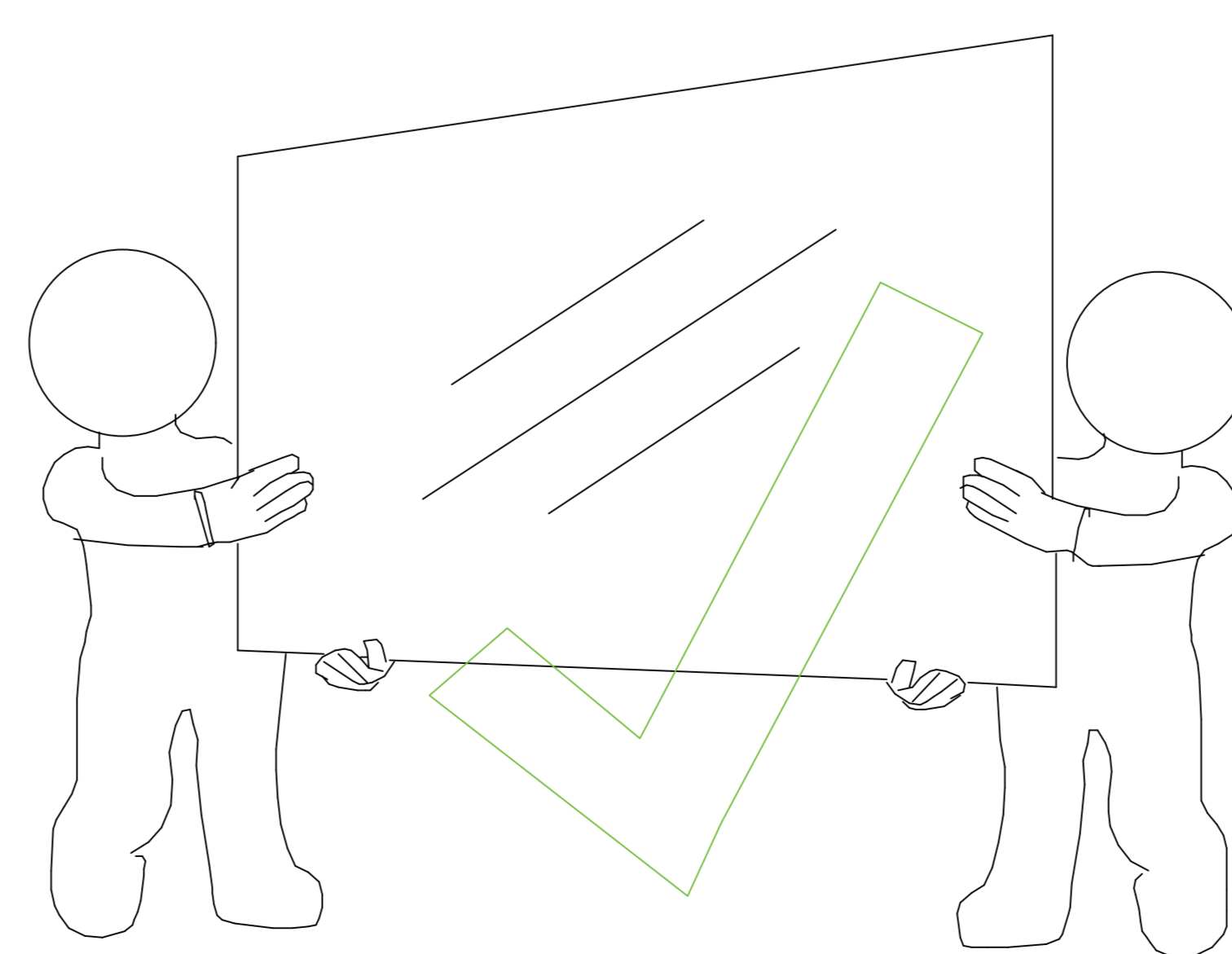
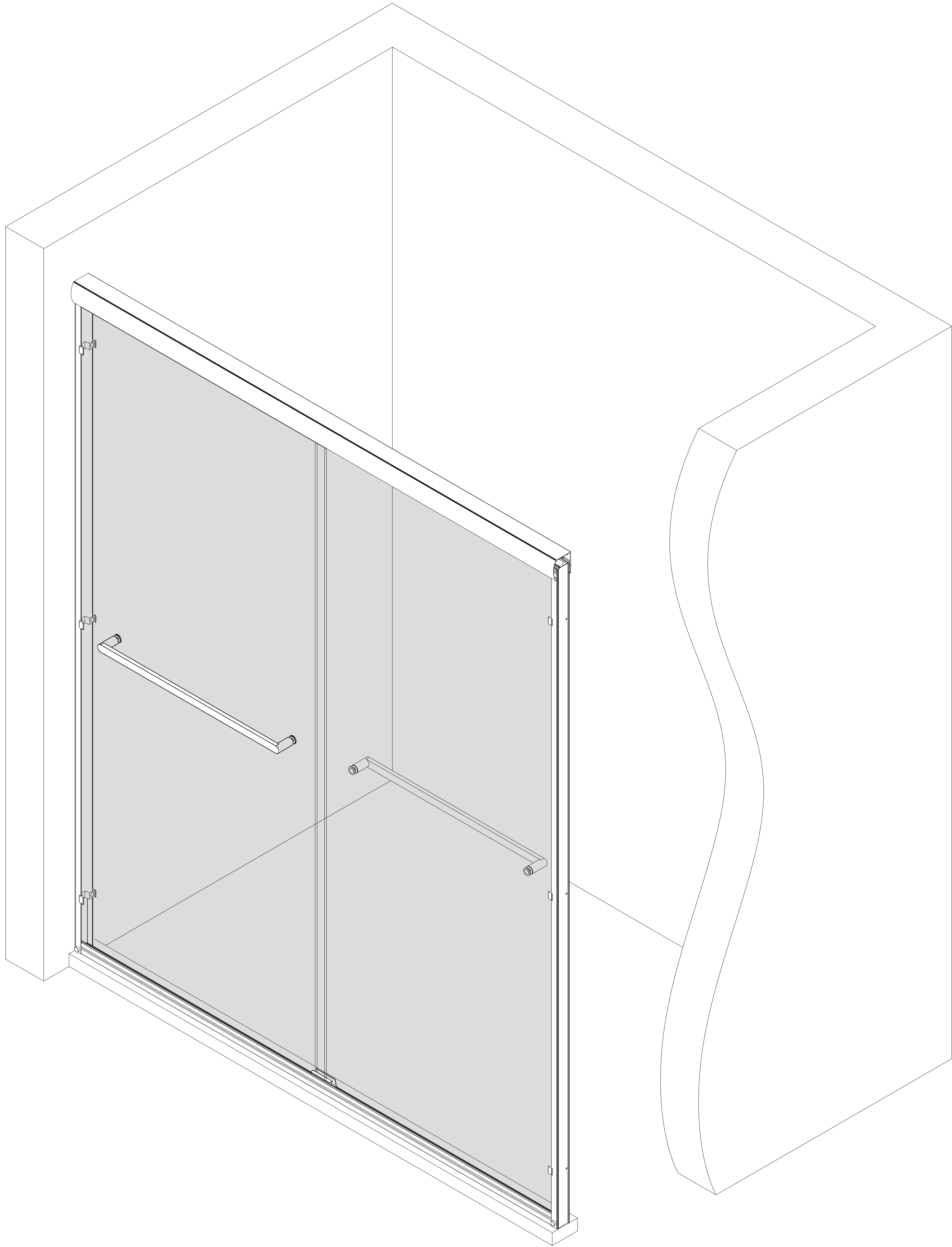
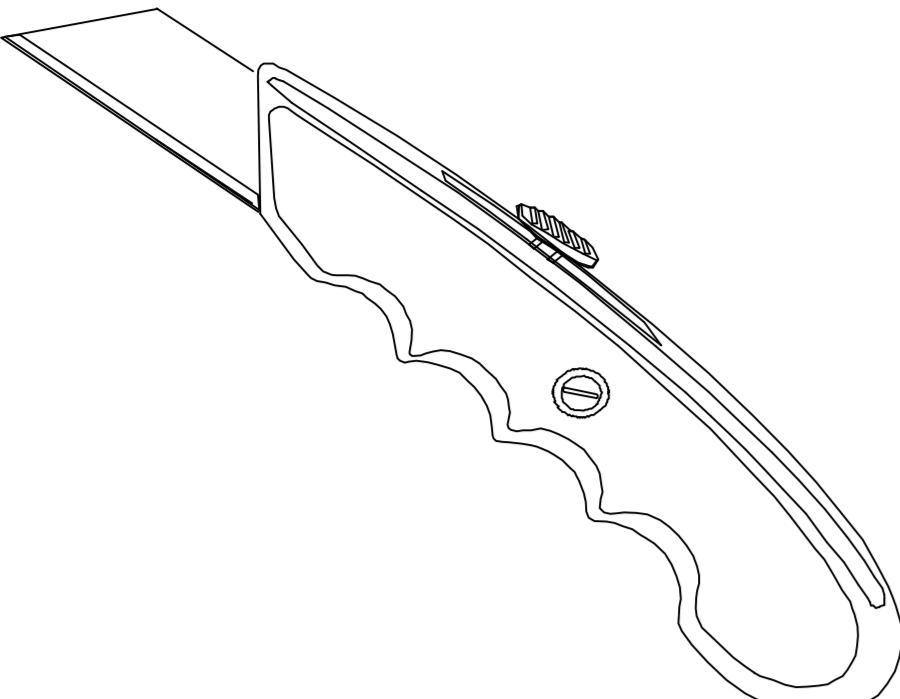
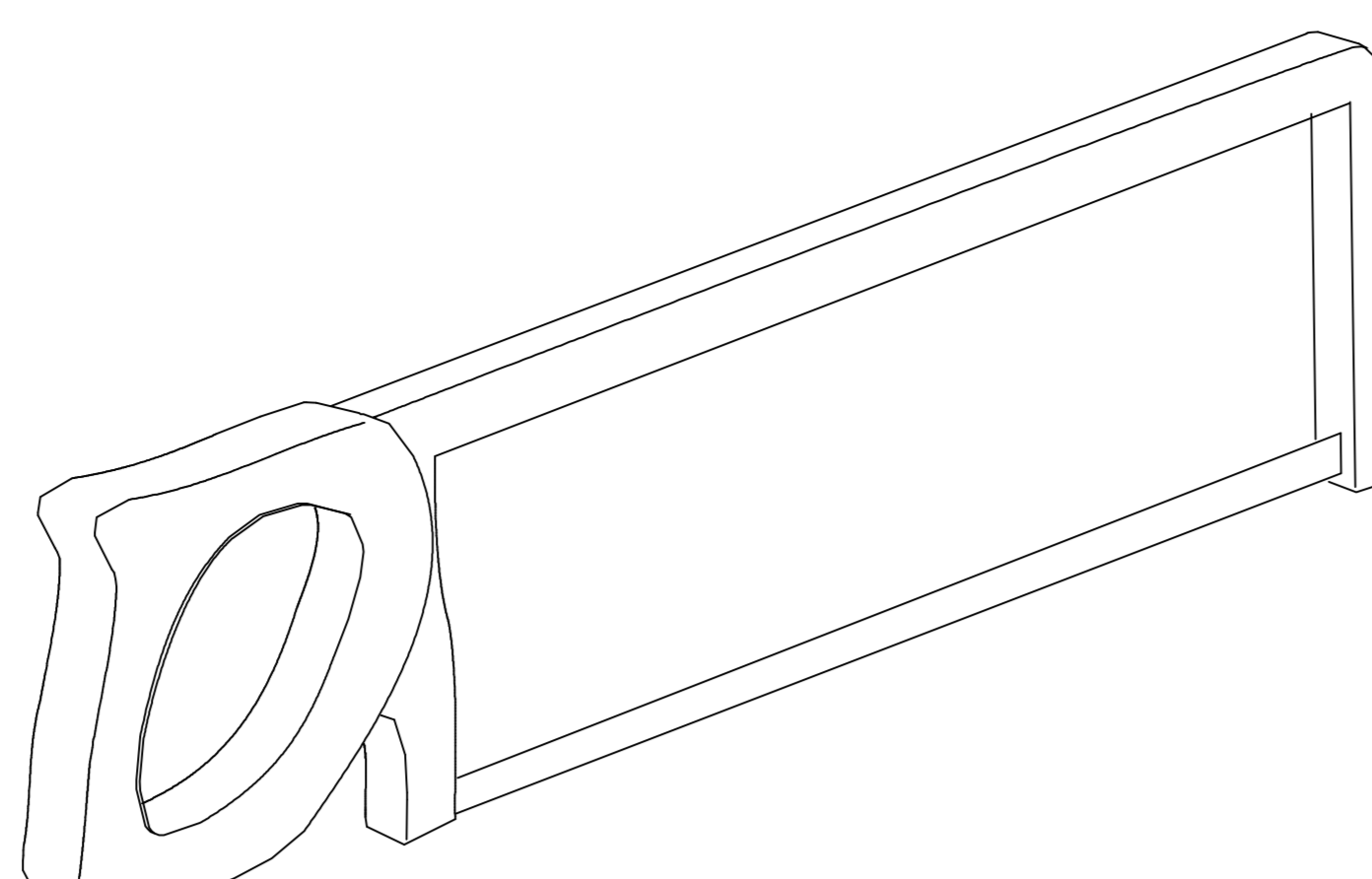
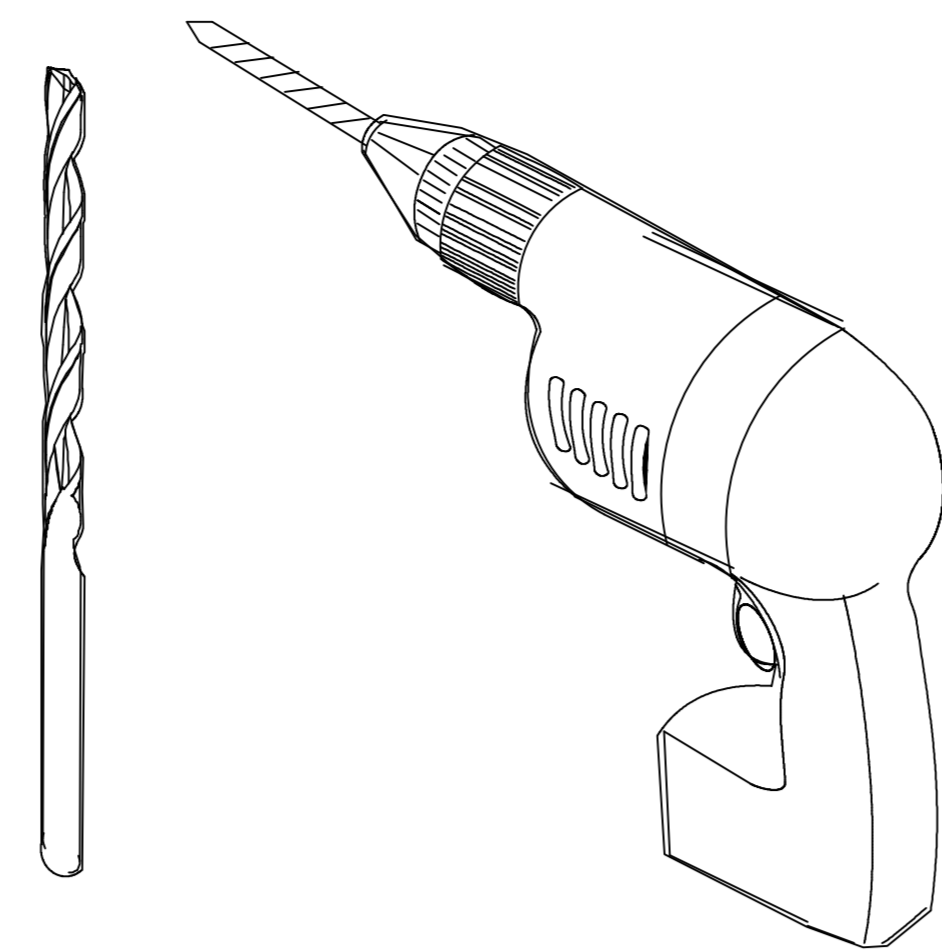
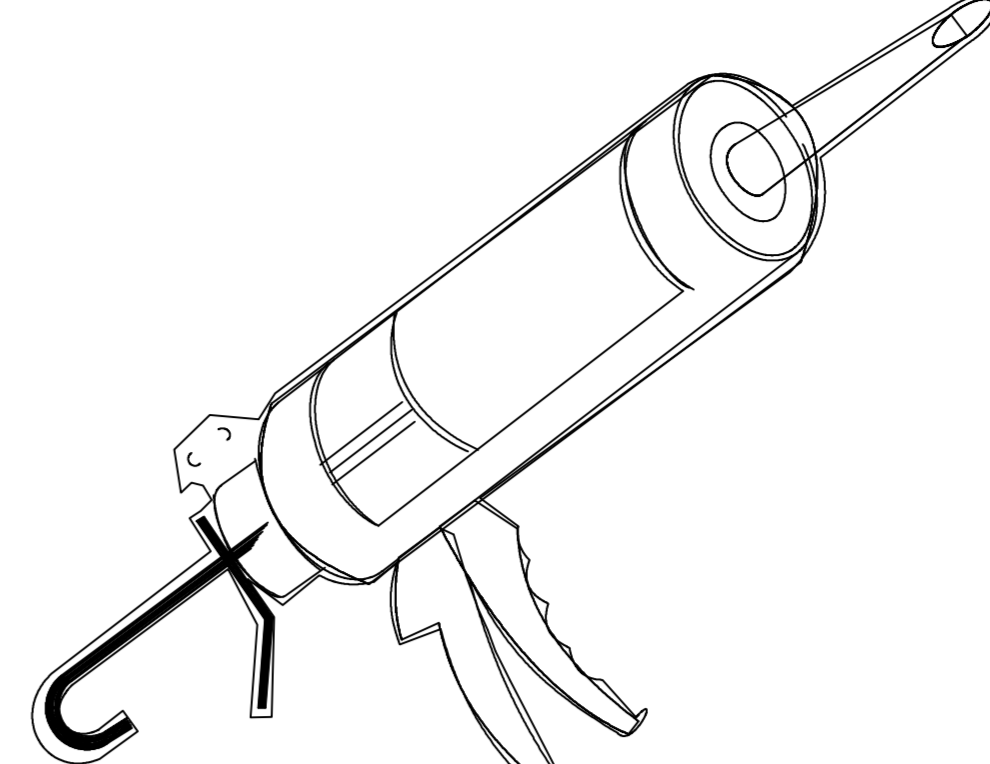
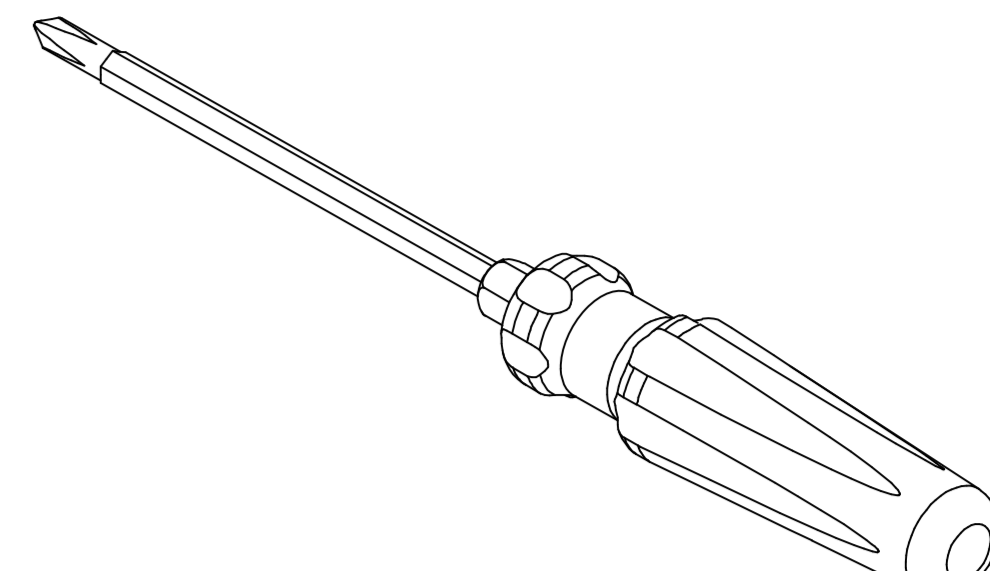
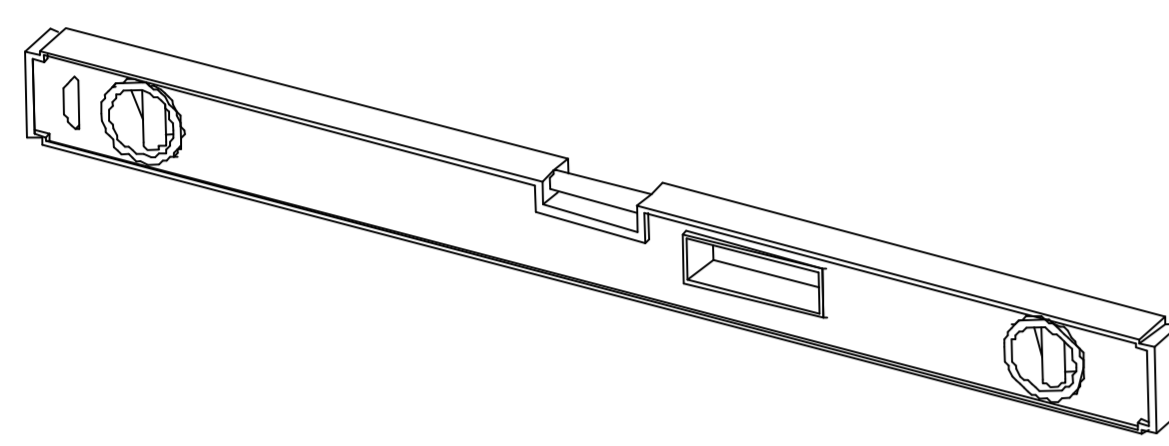
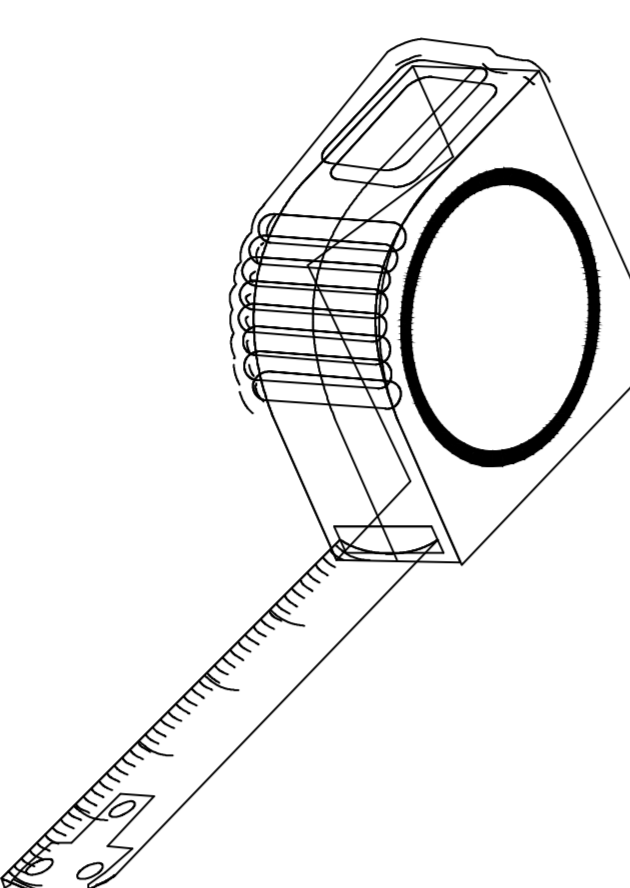
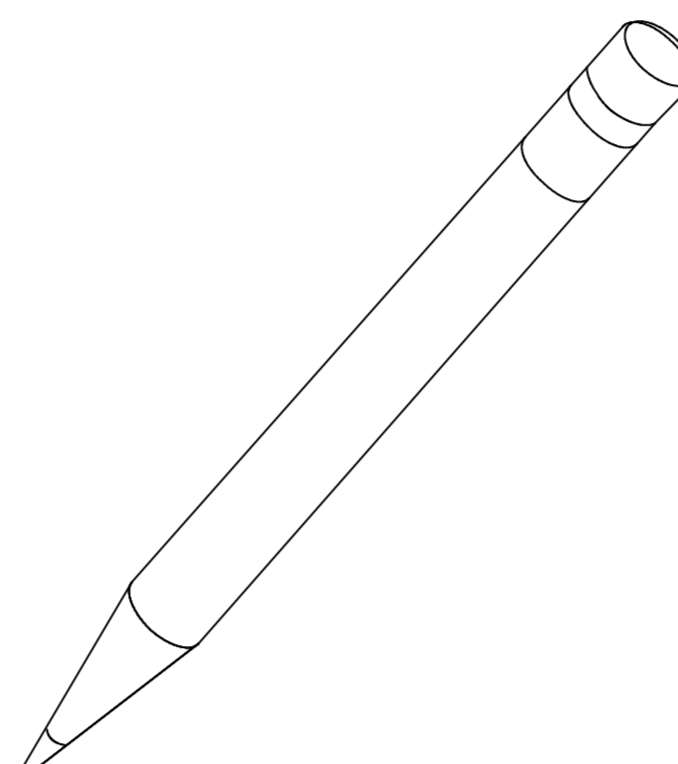
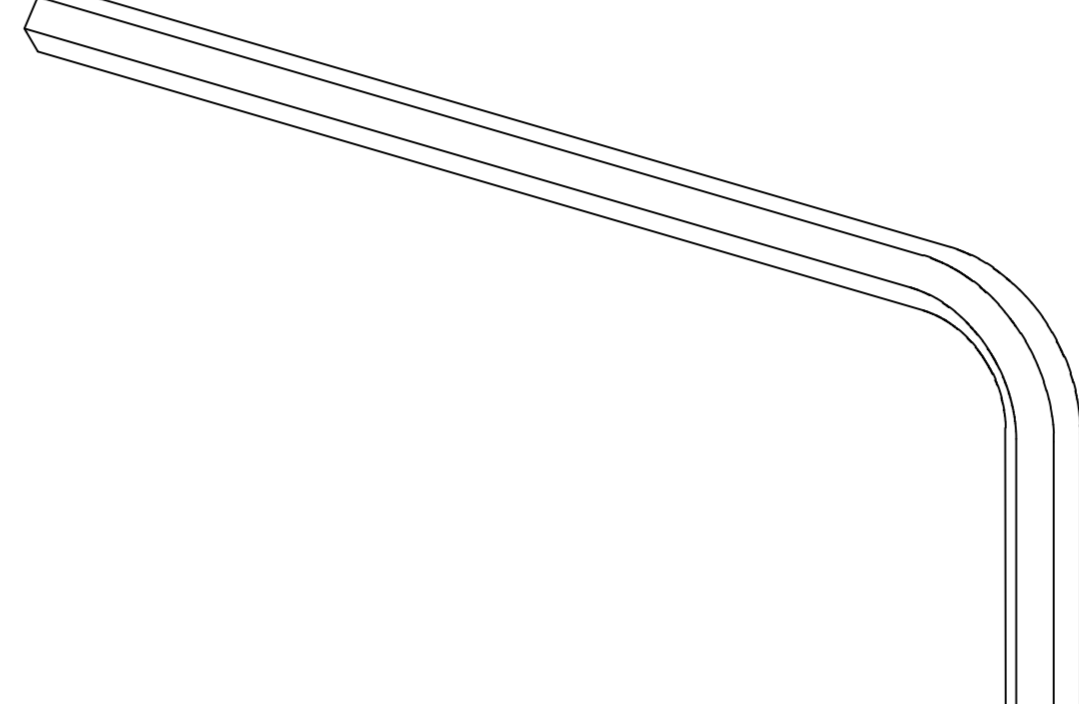
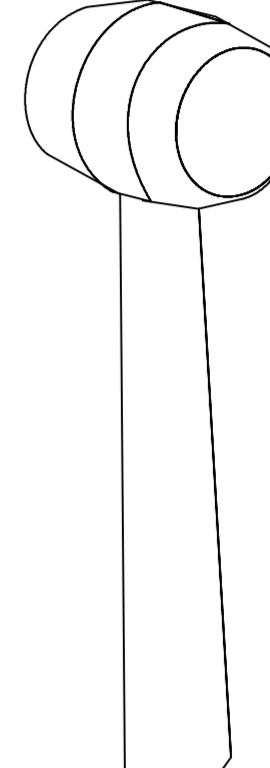


INSTALLATION MANUAL



NOTE: Installation Requires 2 People

Tools and Materials

		 Ø 2.8mm 6 14/127" Ø mm 30/127" M4 tap		
Knife	Hack Saw	Drill	Caulk Gun	Screwdriver
				
Level	Tape Measure	Pencil	Allen Key	MALLET

Before You Begin

- ⚠ **CAUTION:** Risk of injury. Always wear safety glasses when cutting or drilling.
- ⚠ **CAUTION:** Risk of injury or product damage. Tempered glass cannot be cut.
 - Before starting the installation, lay out and identify the parts. Inspect them for damage.
 - The bath/shower or receptor should be installed/prepared at this time, including finished wall materials.

Installation on Tiled Surfaces

If your shower door will be installed over tiles, ensure the tiles are fully laid beneath the door frame.

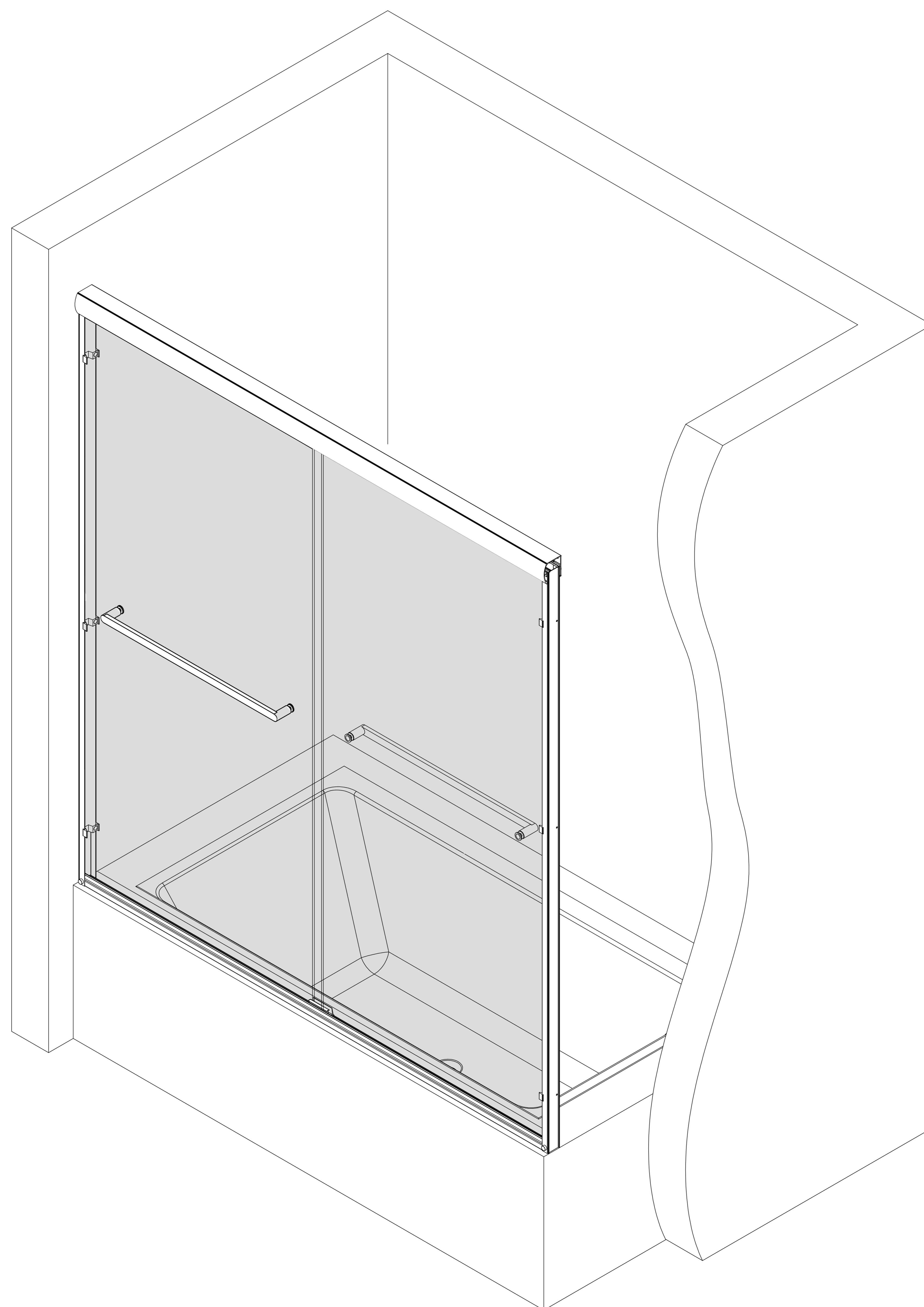
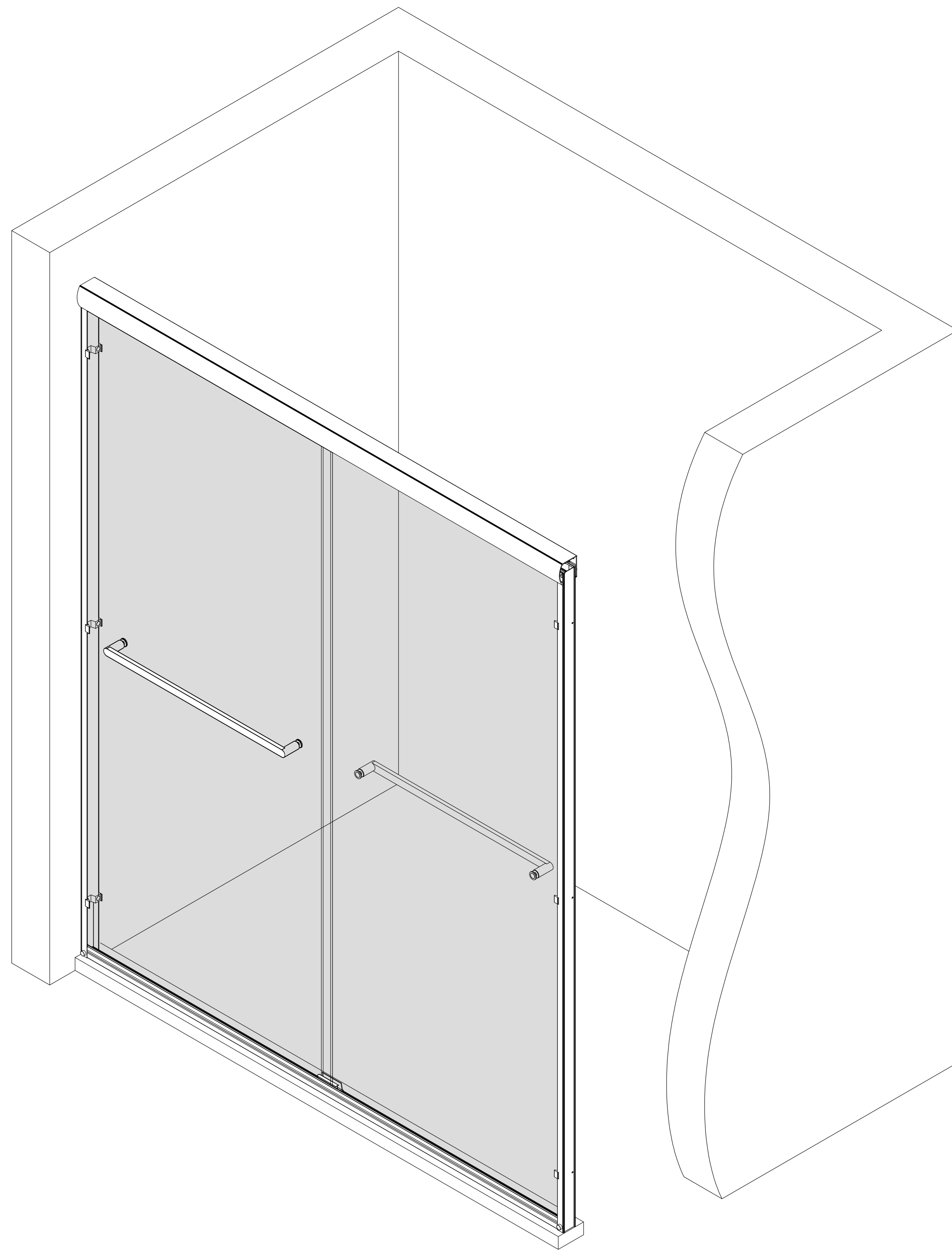
Shower Door Care

Do not use abrasive pads or sharp tools on any metal parts or glass surfaces.

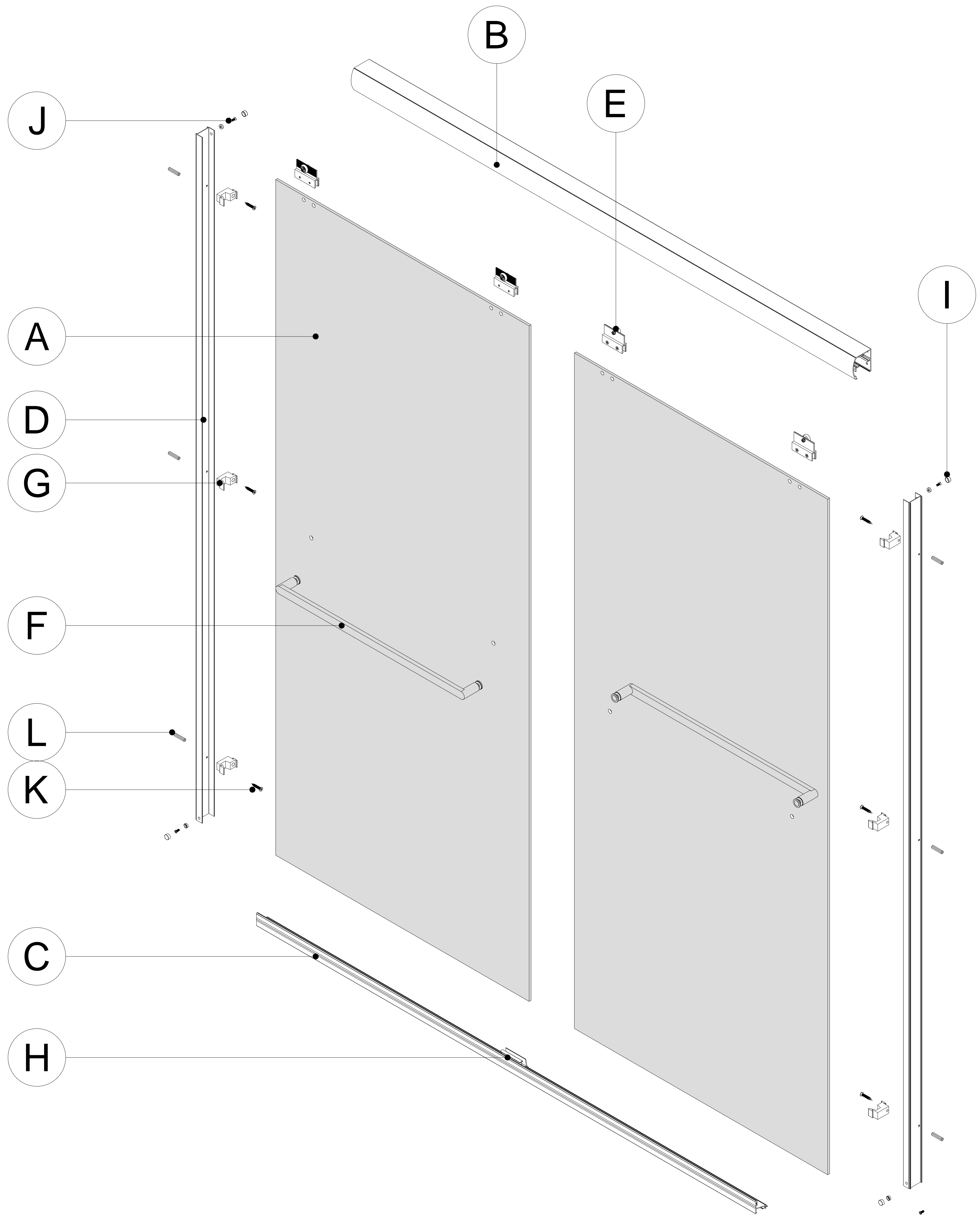
To maintain a clean and like-new appearance, wipe with diluted mild soap and water.

We recommend using a squeegee to dry the glass panels after each use.

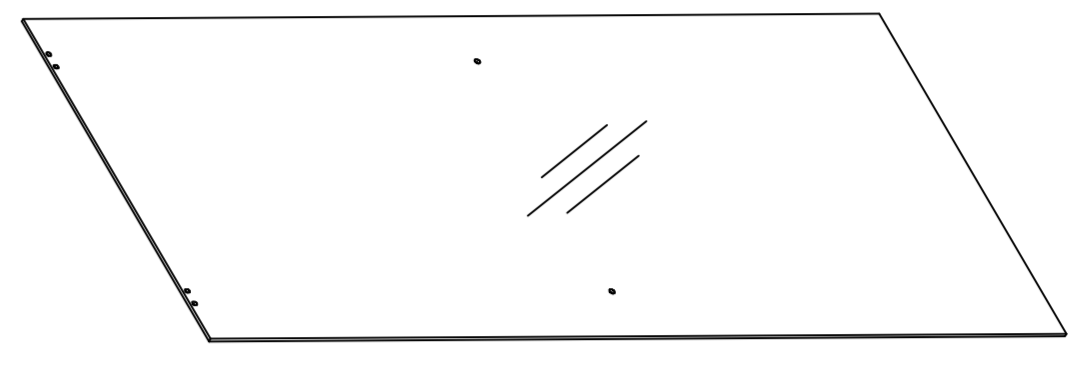
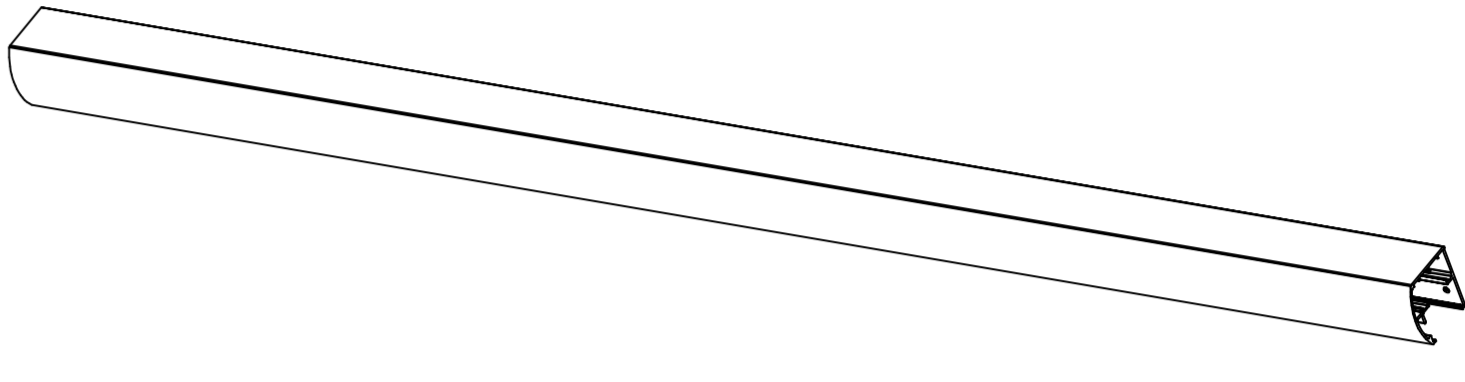
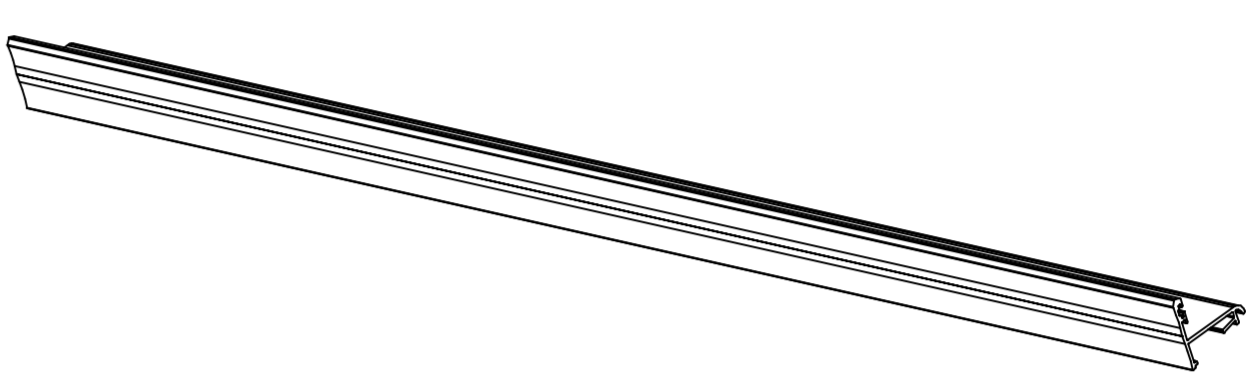
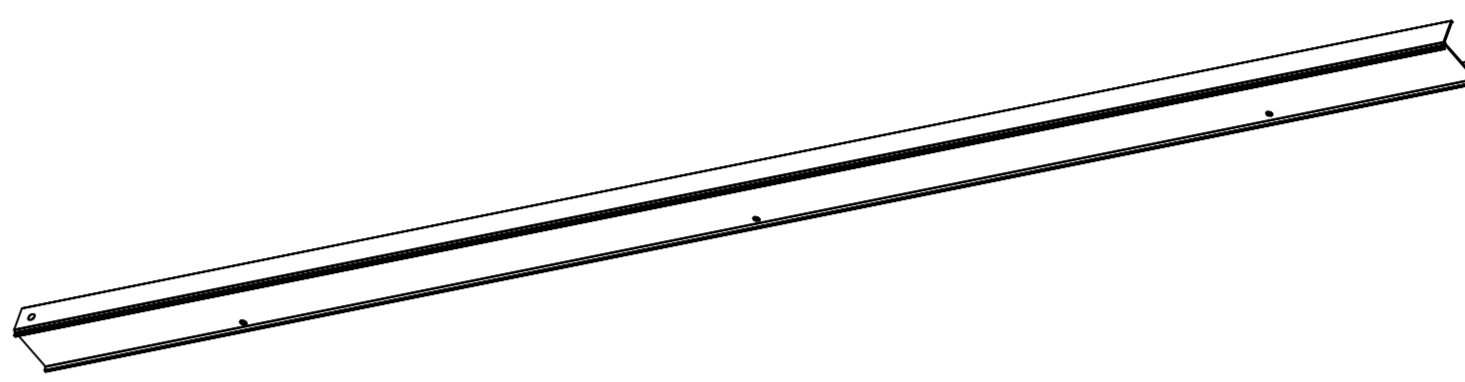
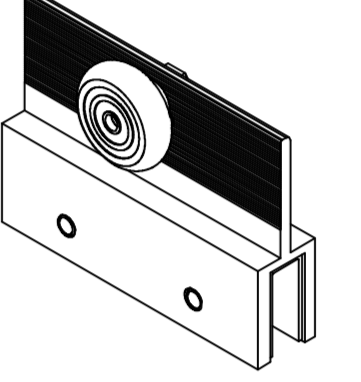
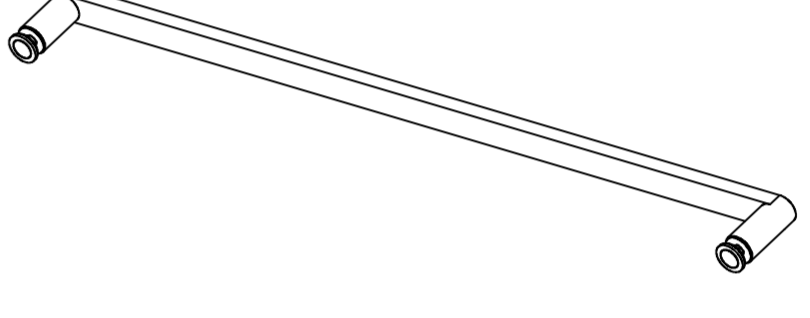
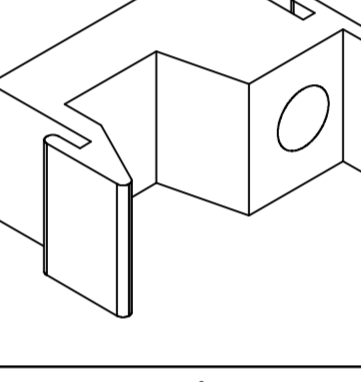
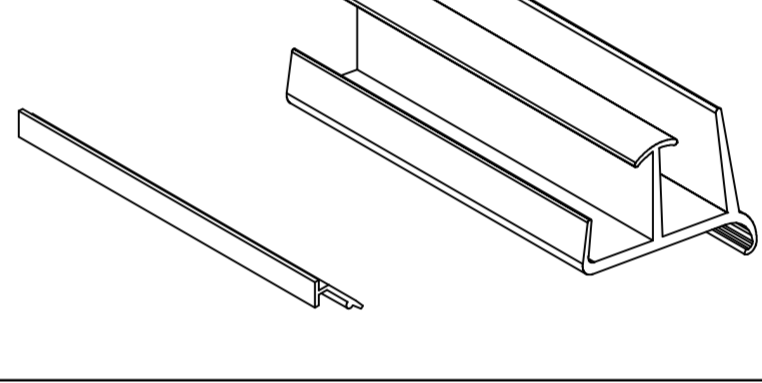
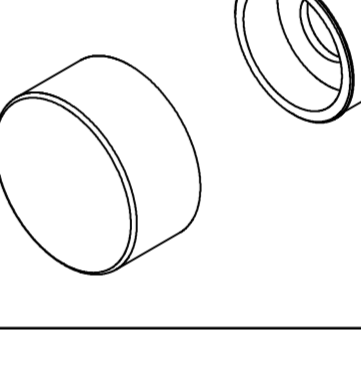
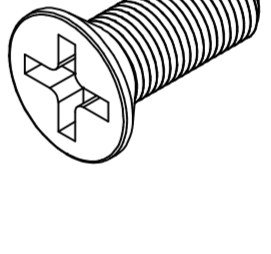
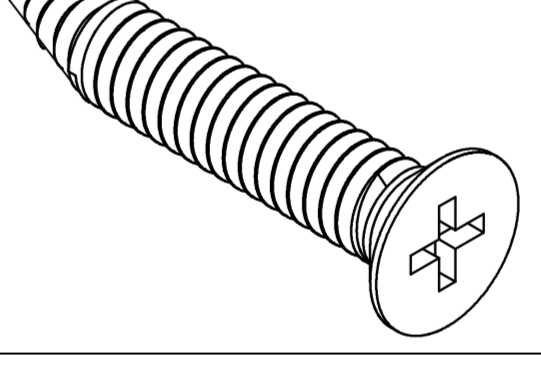
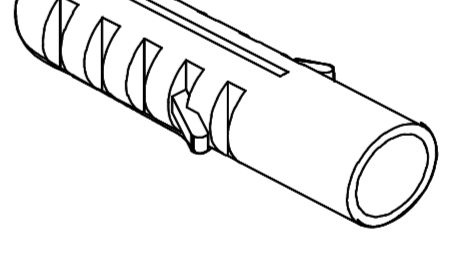
Universal Manual – Applicable to the Following Configurations



Detailed Diagram of Shower Door Components

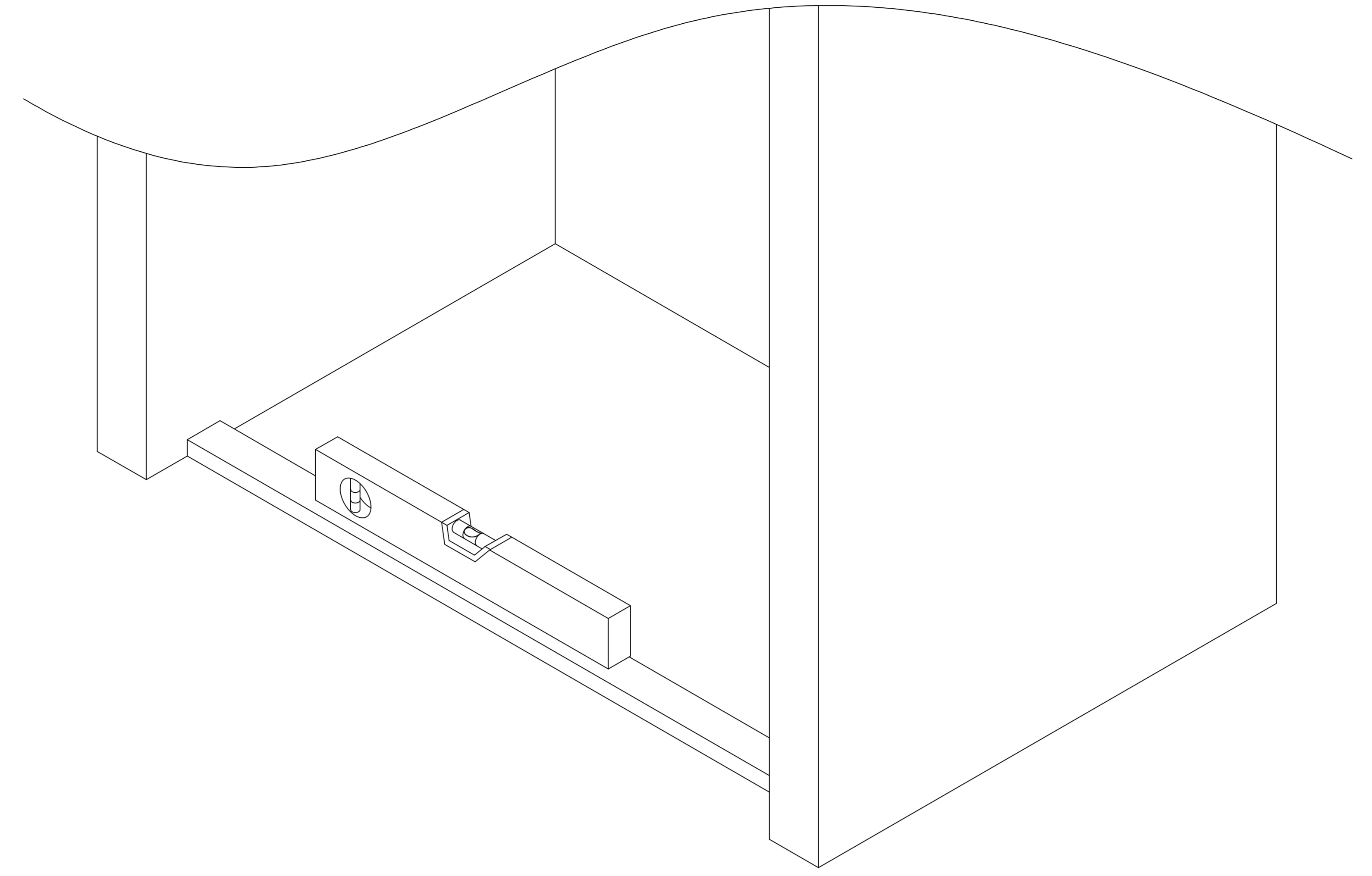


PARTS AND HARDWARE LISTING

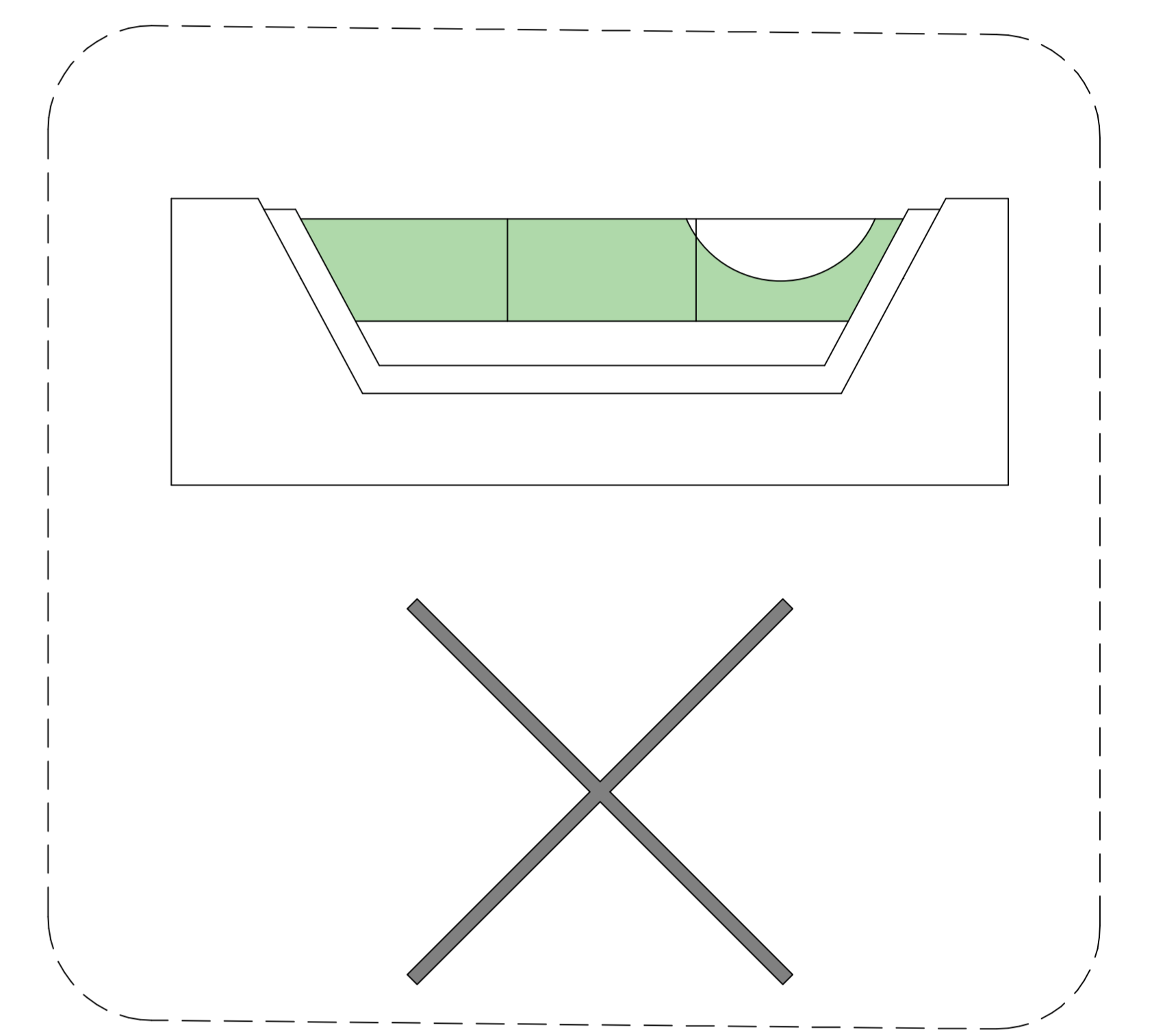
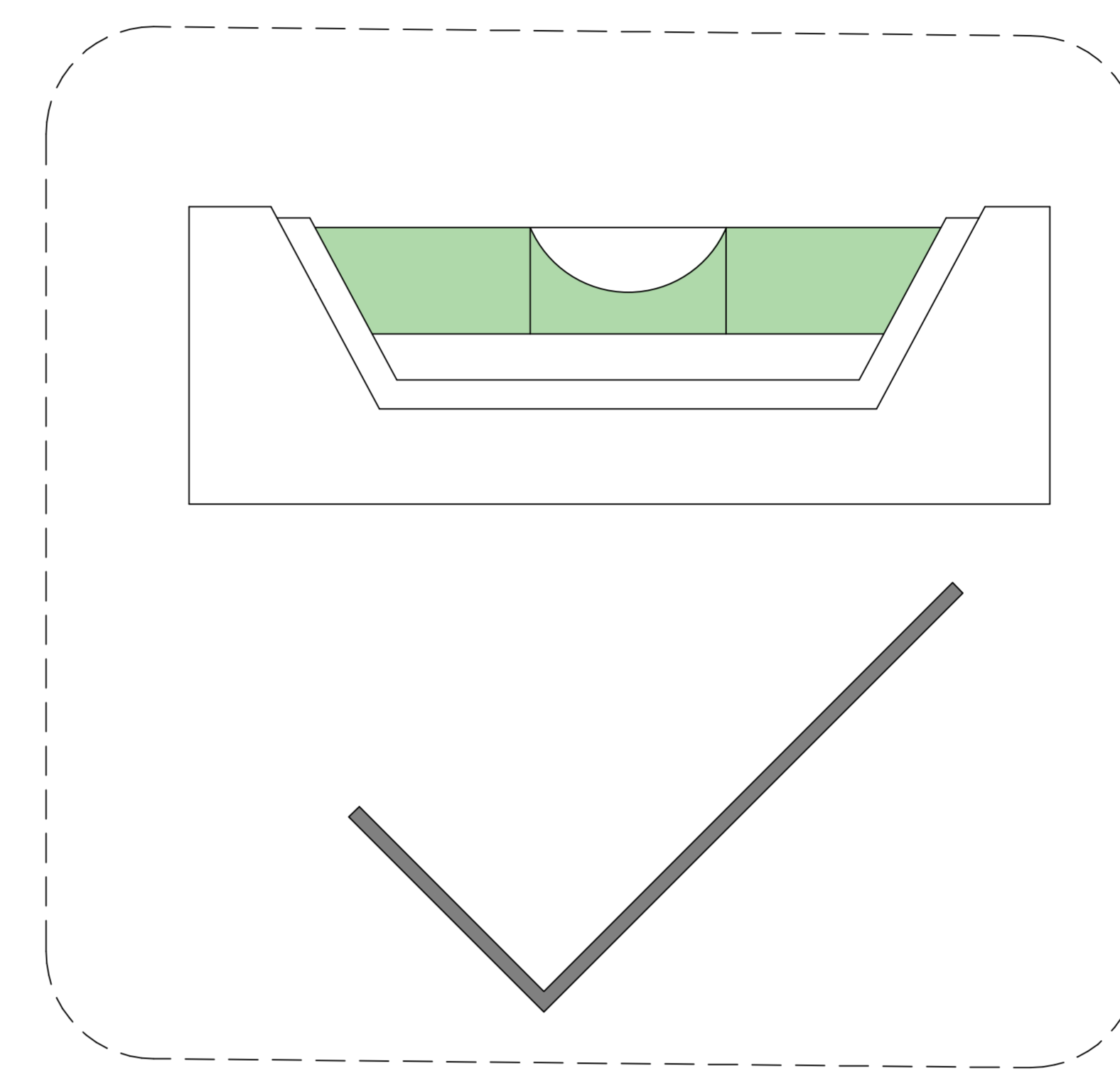
ITEM	NAME	QTY	PICTURE
(A)	Activity Glass	2	
(B)	Upper guide rail	1	
(C)	Lower guide rail	1	
(D)	Left and right fixed wall materials	2	
(E)	Aluminum alloy single pulley	4	
(F)	One-sided handle	2	
(G)	Anti-Collision	6	
(H)	Guide glue	1	
(I)	D01 Screw Decorative Cap	4	
(J)	Fixing screws 4mm x 10mm	4	
(K)	Fixing screws 4mm x 35mm	6	
(L)	Hollow wall plugs	6	

STEP 1.1

Measure the installation site and adjust



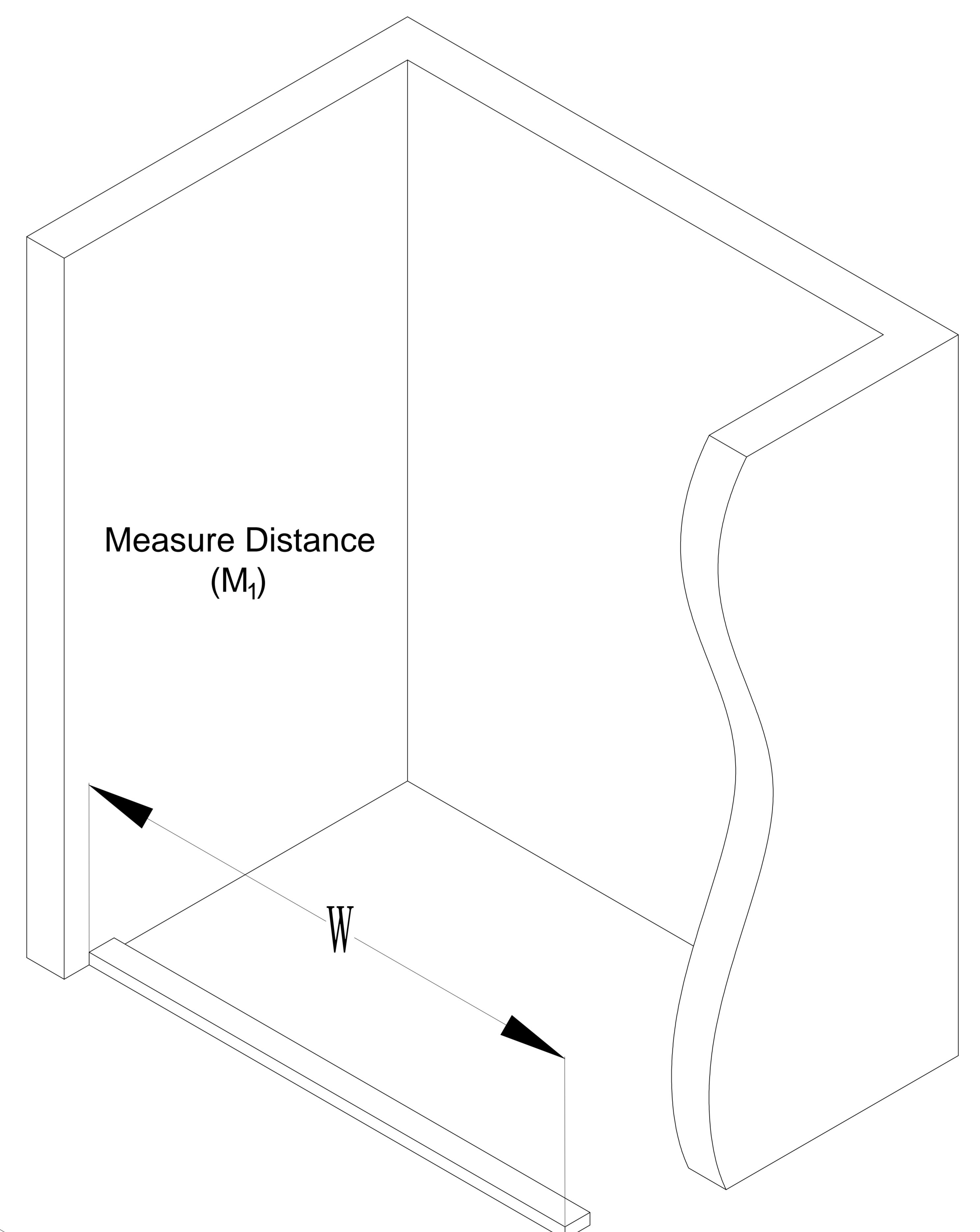
THE INSTALLATION SHOWN IS BASED ON PLUMB FINISHED WALLS AND A LEVELLED BASE. IF THESE CONDITIONS ARE NOT MET, PLEASE ADJUST ACCORDINGLY.



STEP 1.2

Measure and cut the guide rail

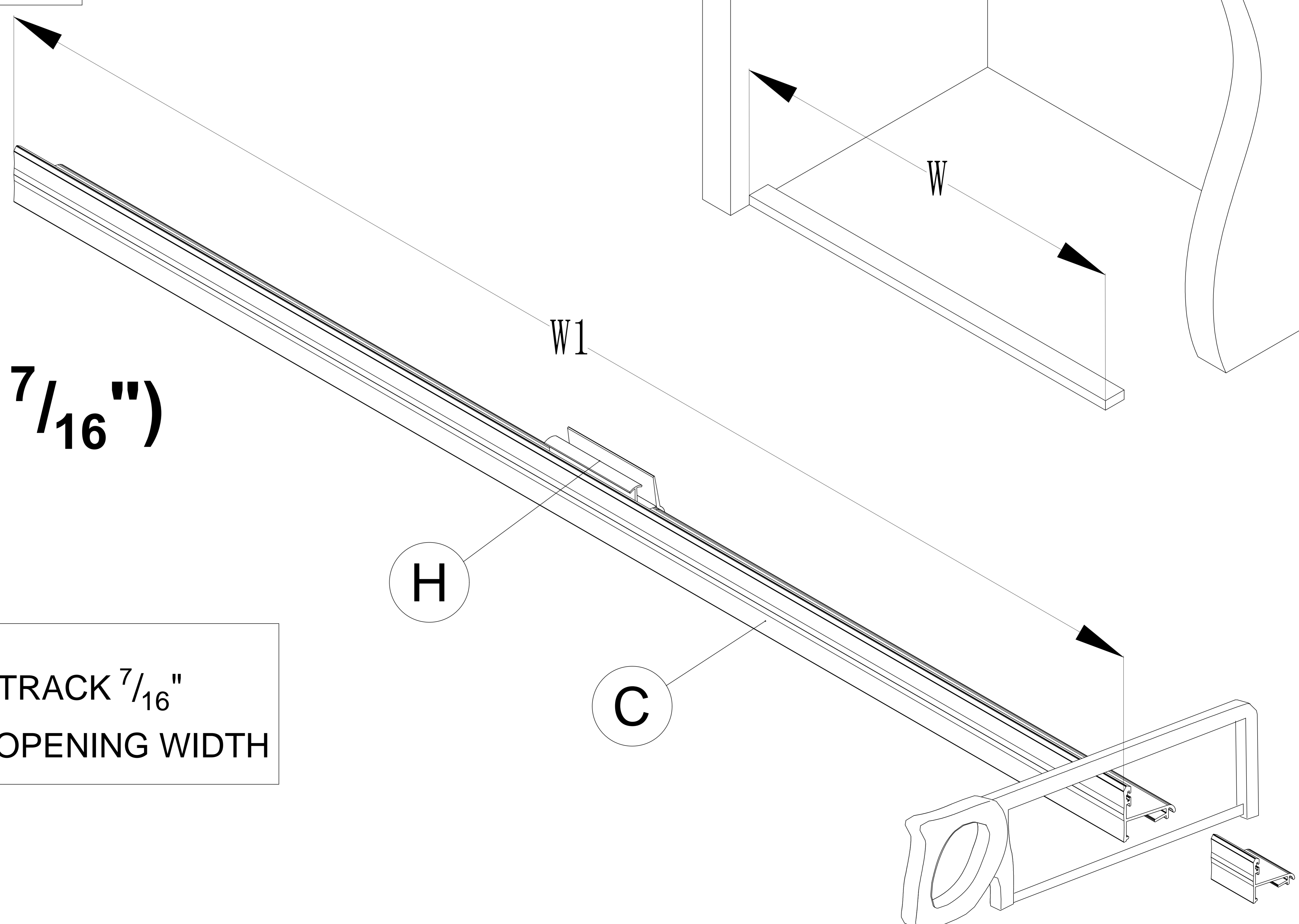
C		X1
H		X1



$$W1 = W - 11\text{mm} \left(\frac{7}{16}'' \right)$$

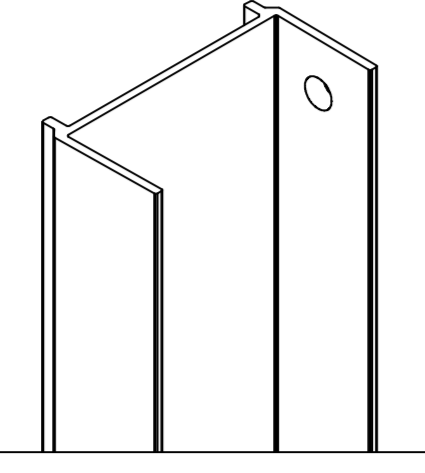
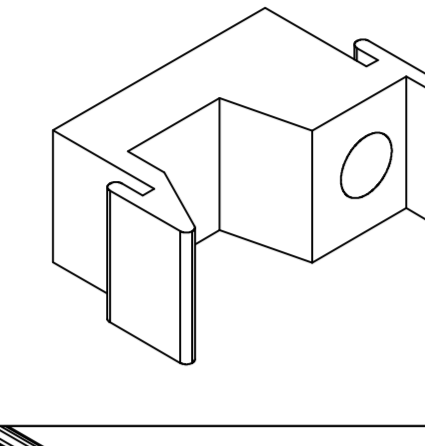
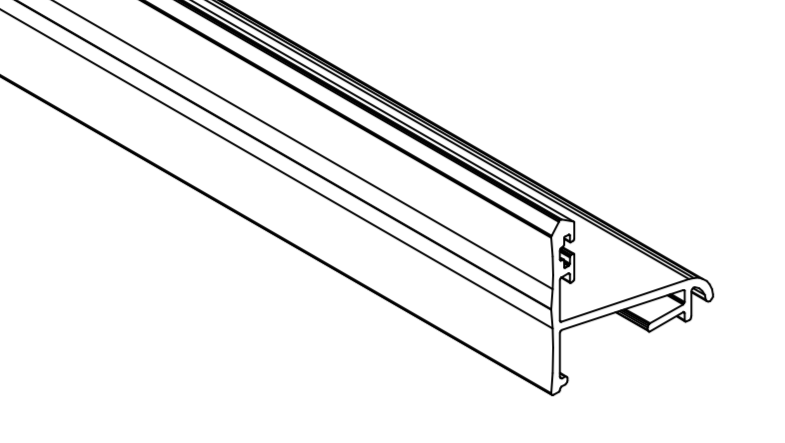


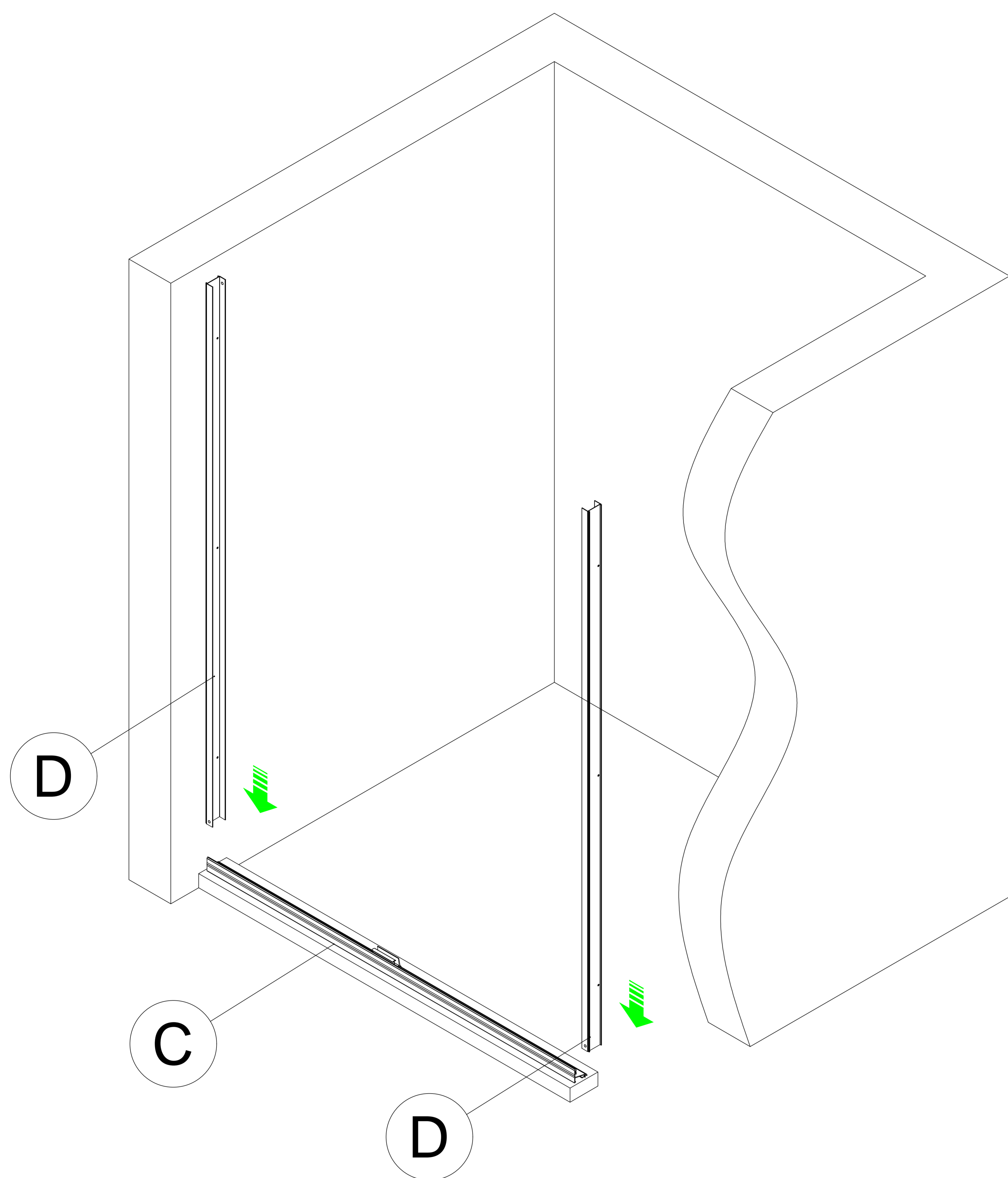
CUT THE BOTTOM TRACK $\frac{7}{16}''$ (11mm) SHORTER THAN THE OPENING WIDTH



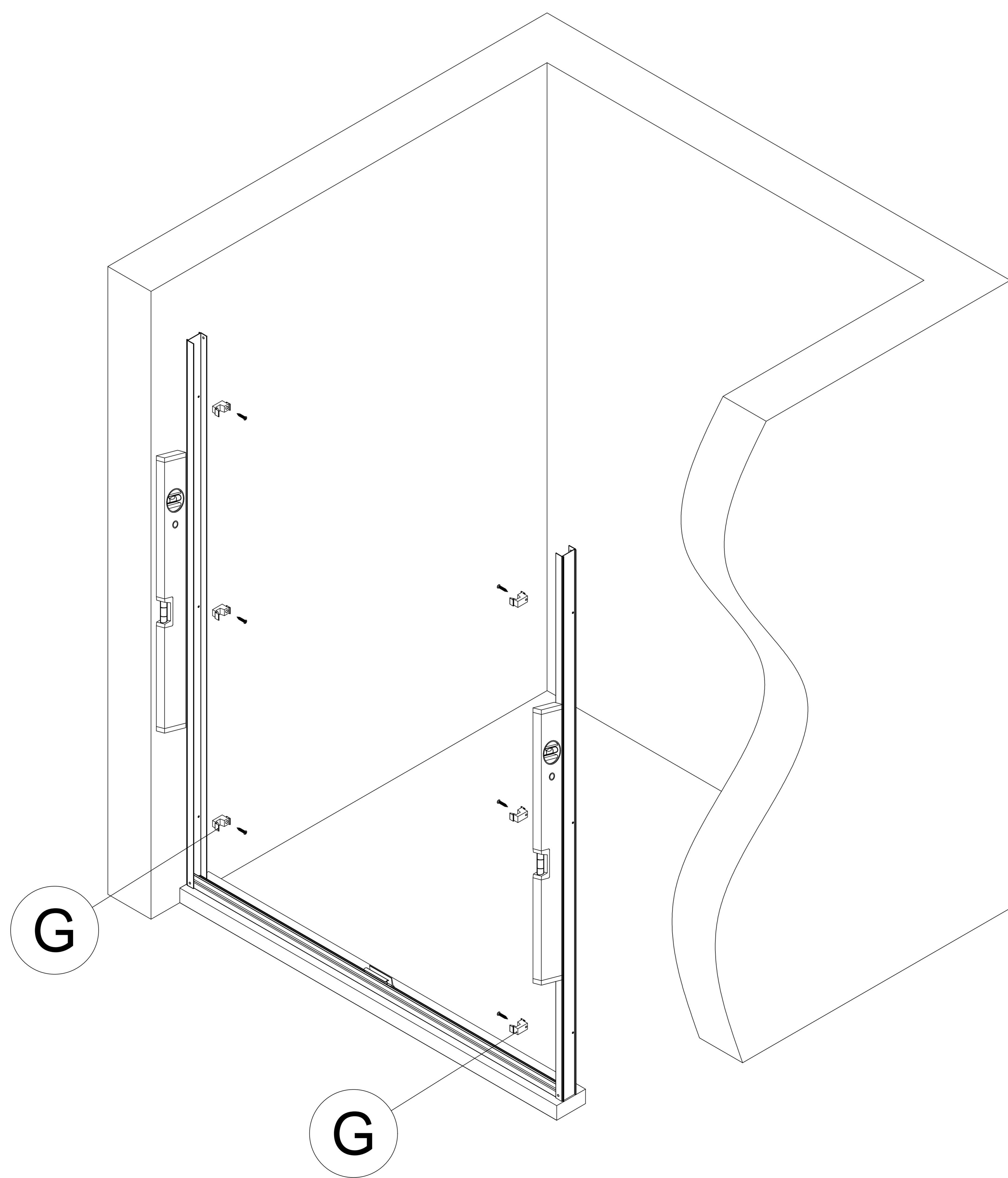
STEP 2

Install the guide rail and wall material

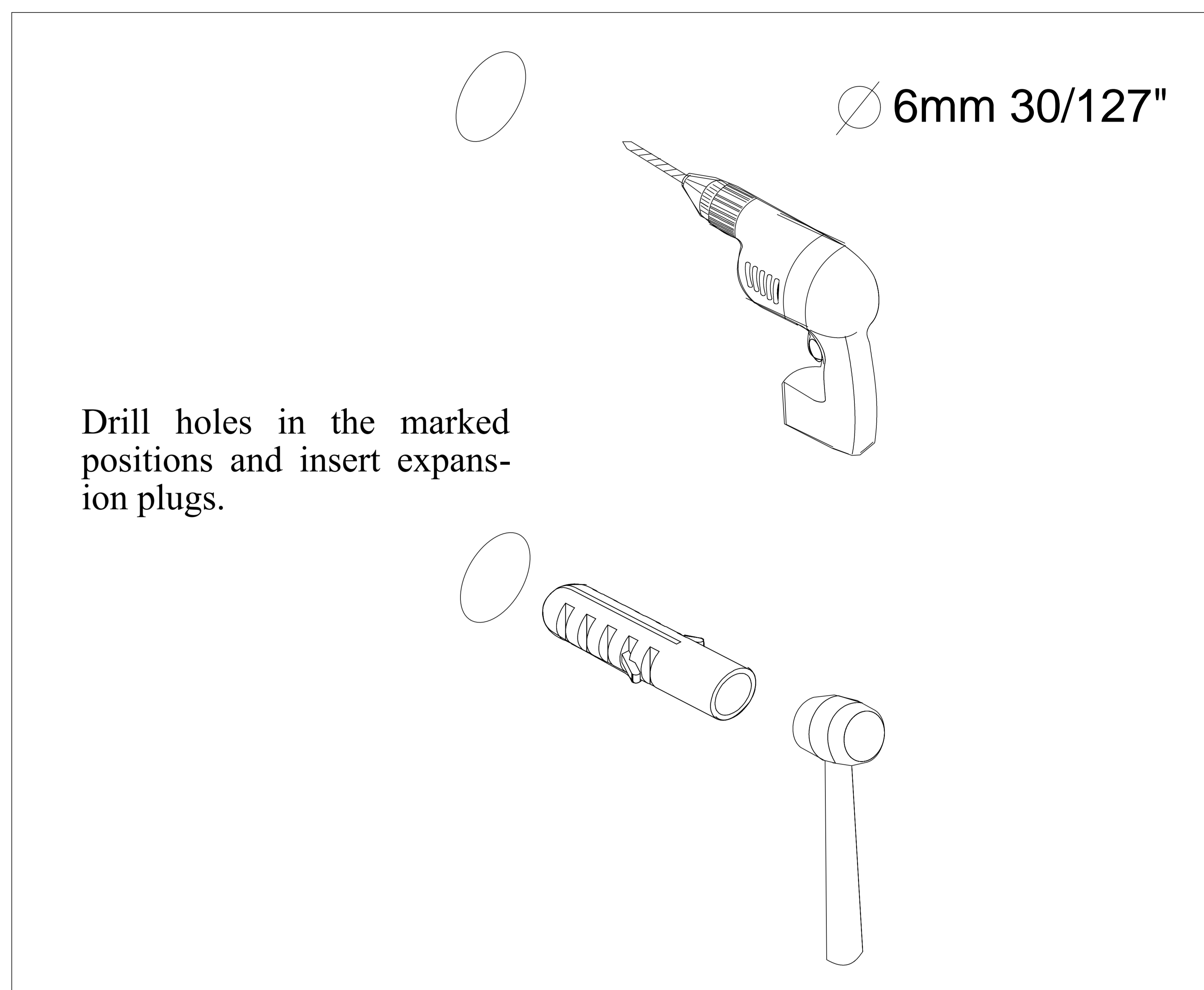
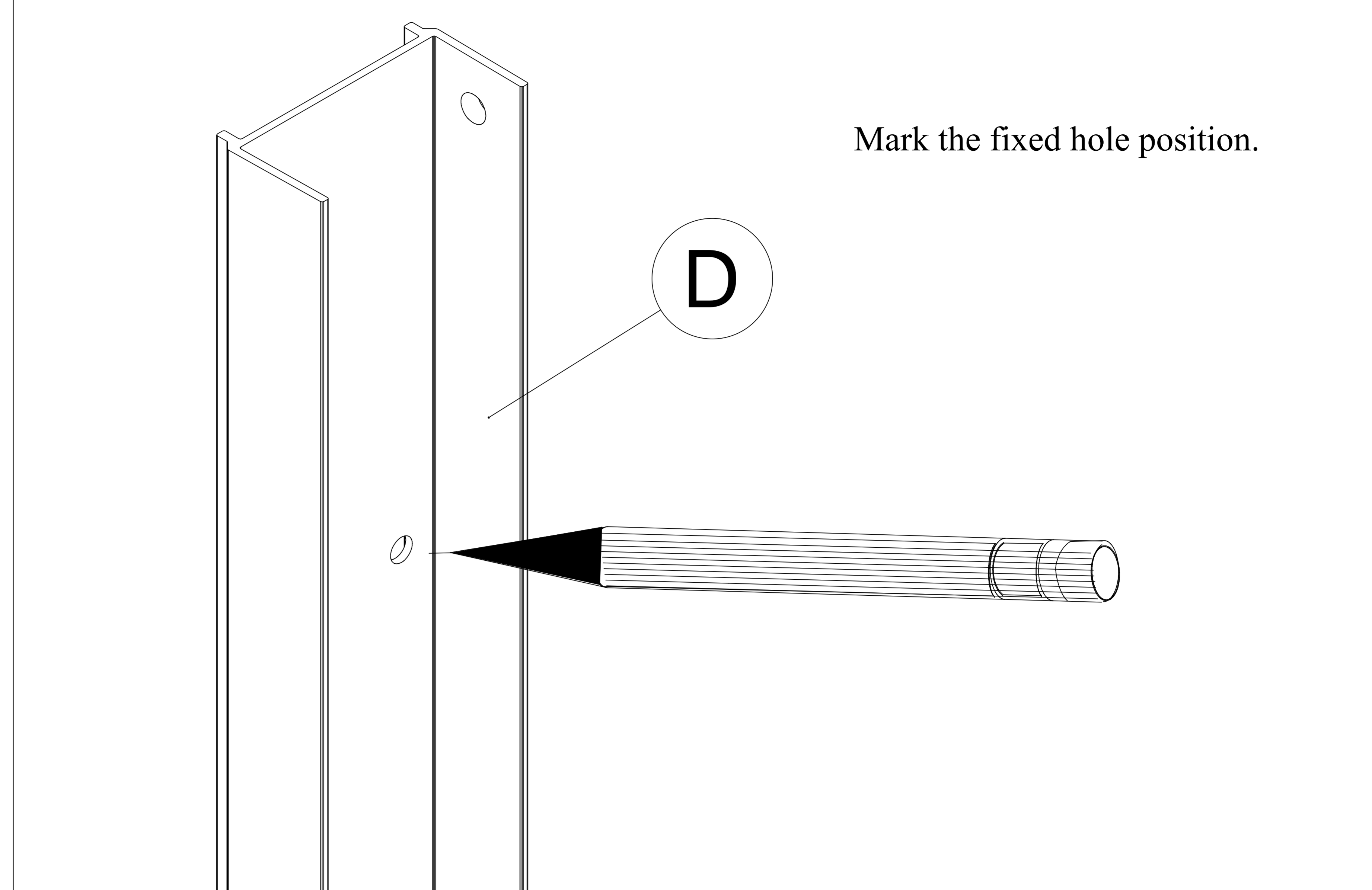
D		X2
G		X6
C		X1



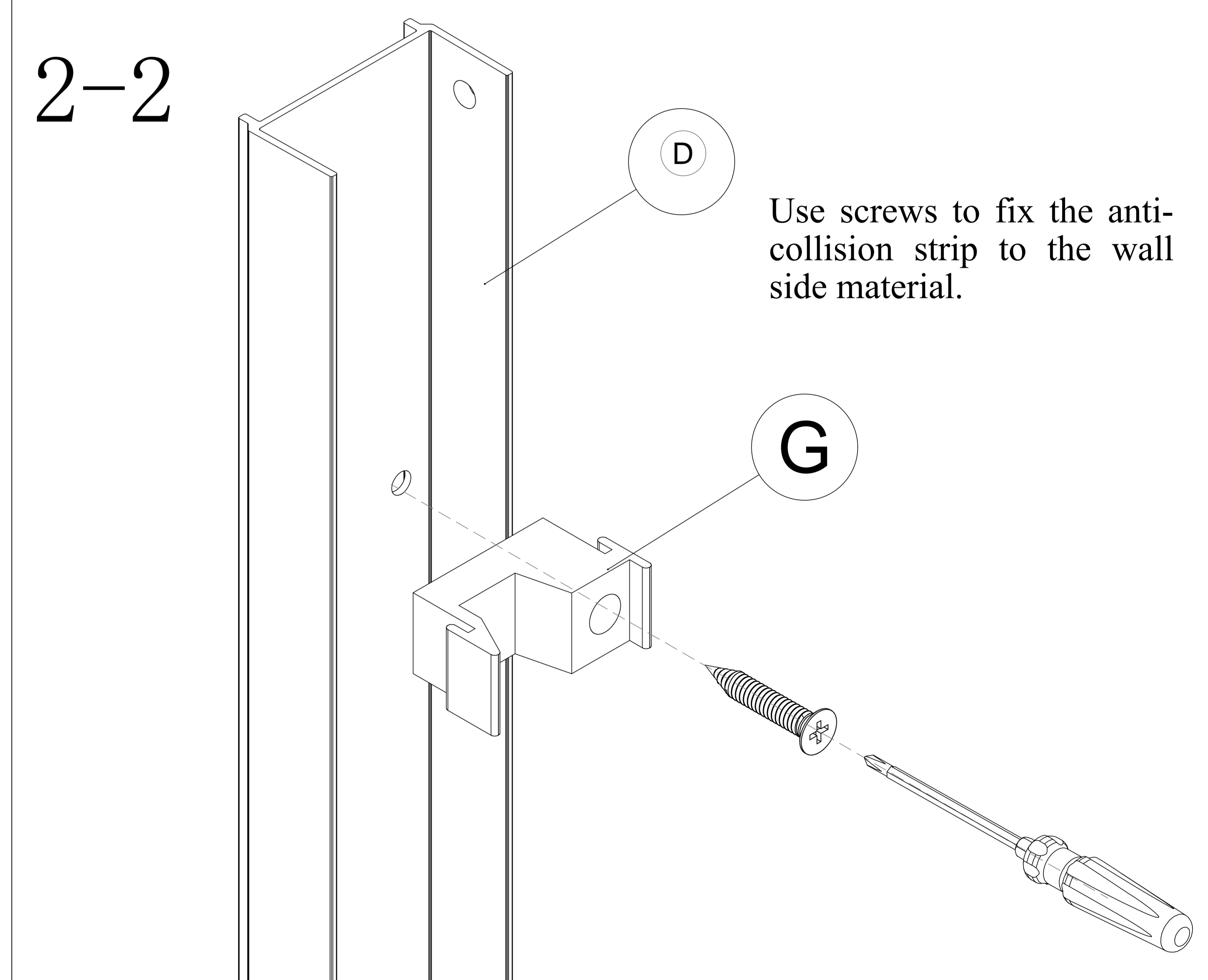
Place the lower guide rail in the installation position.
The side fixed wall material is clamped on the guide rail and kept horizontal



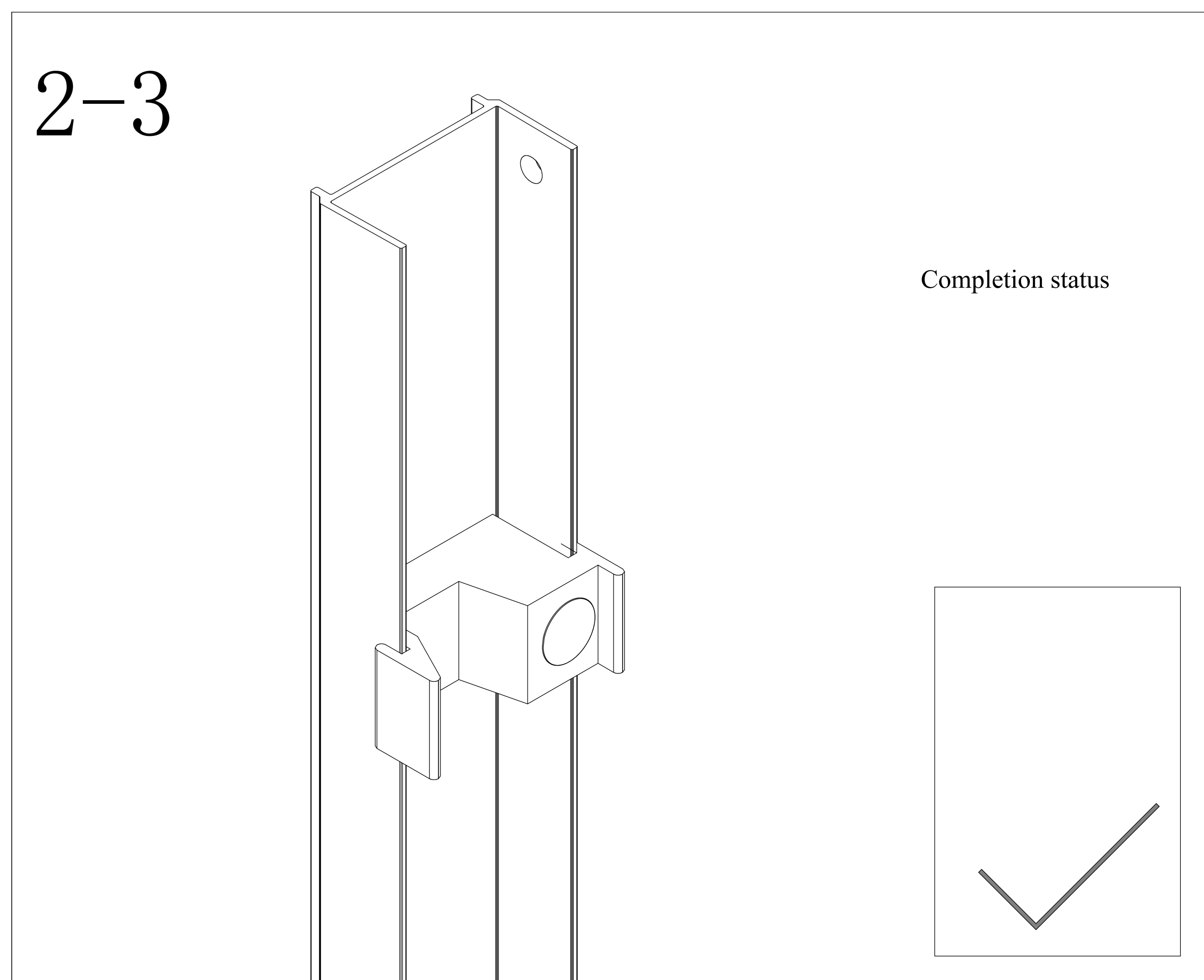
2-1



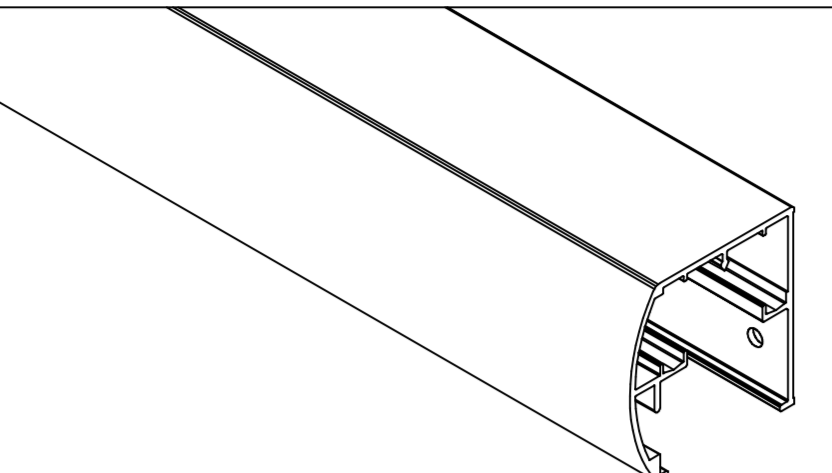
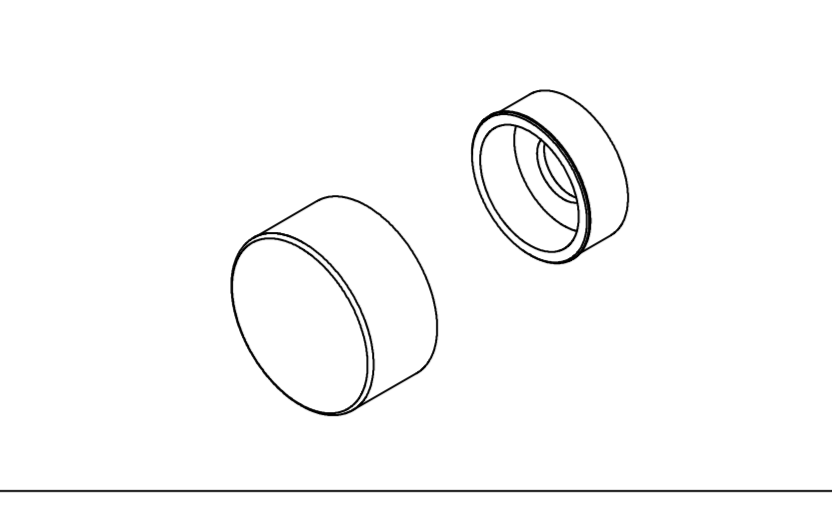
2-2



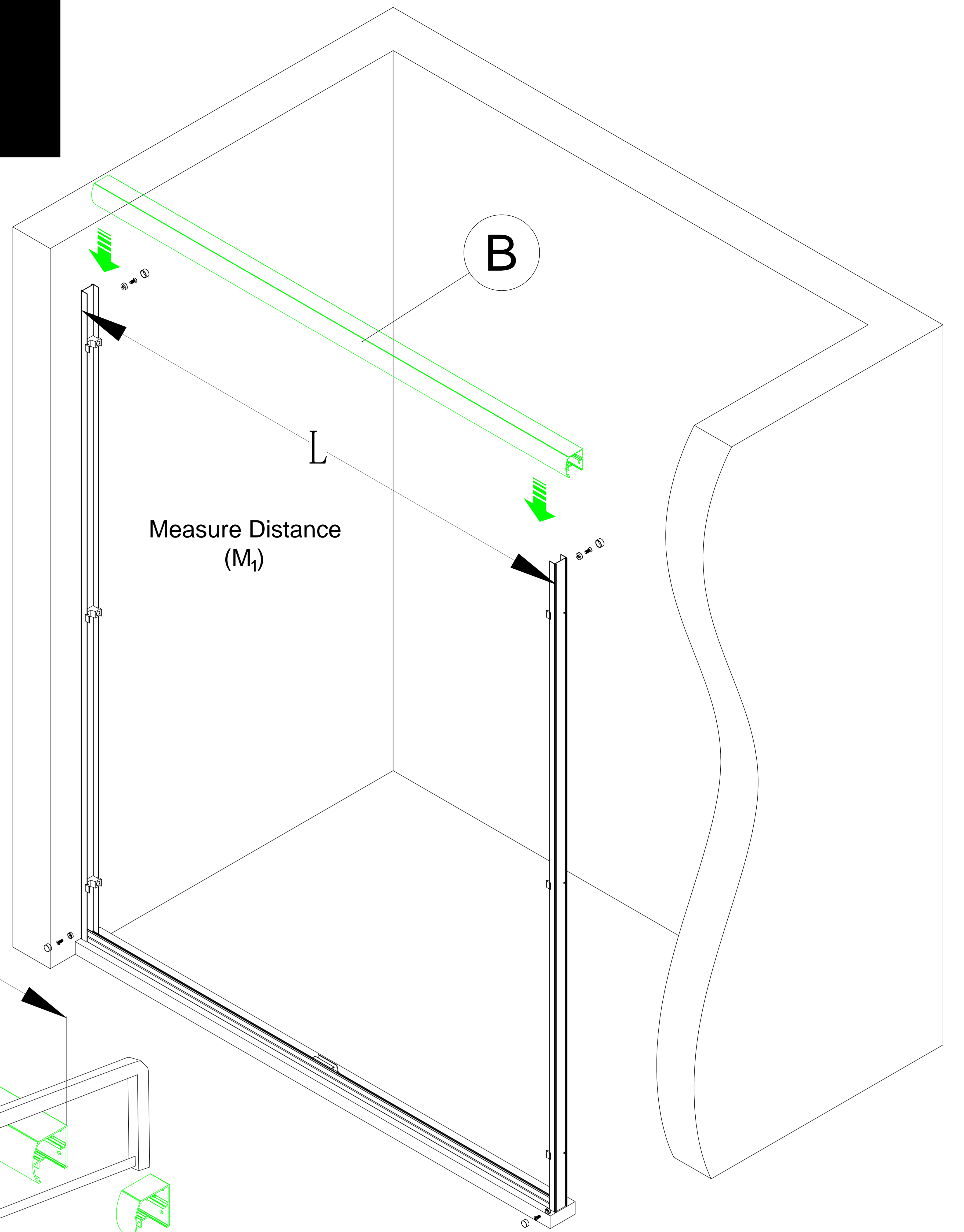
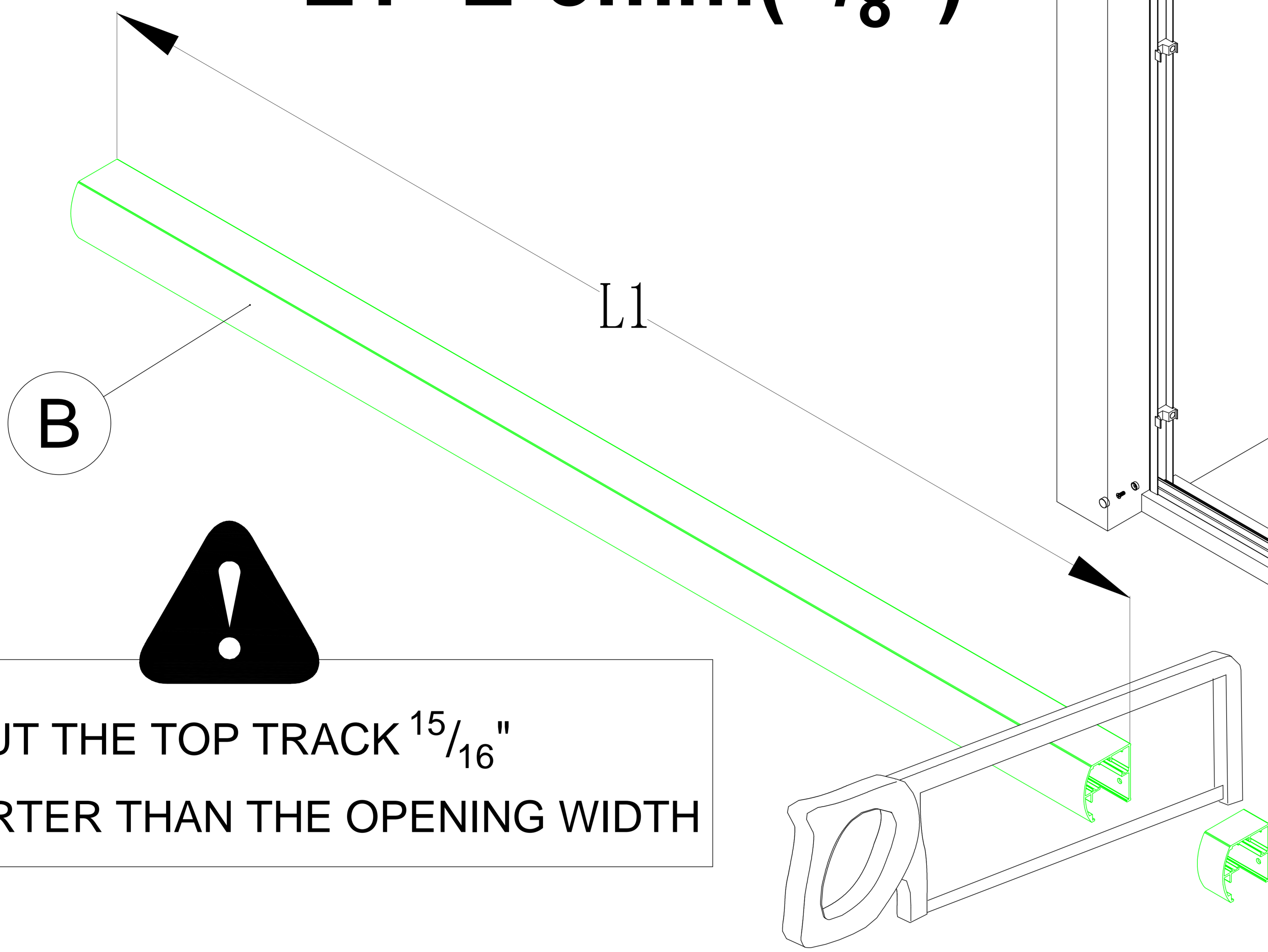
2-3



STEP 3 Install the guide rail

B		X1
I		X4

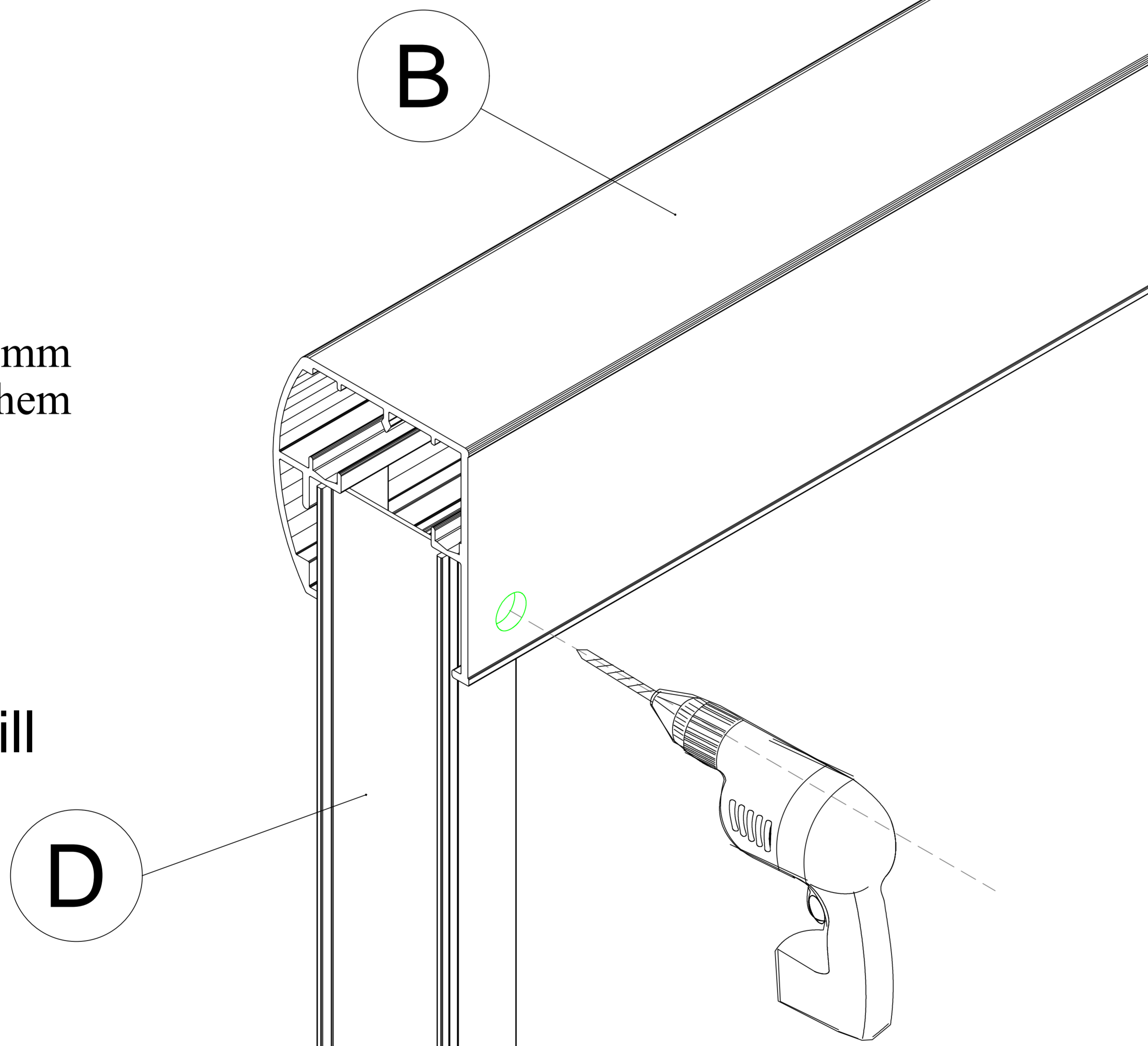
$$L1 = L - 3\text{mm} \left(\frac{1}{8}'' \right)$$



3-1

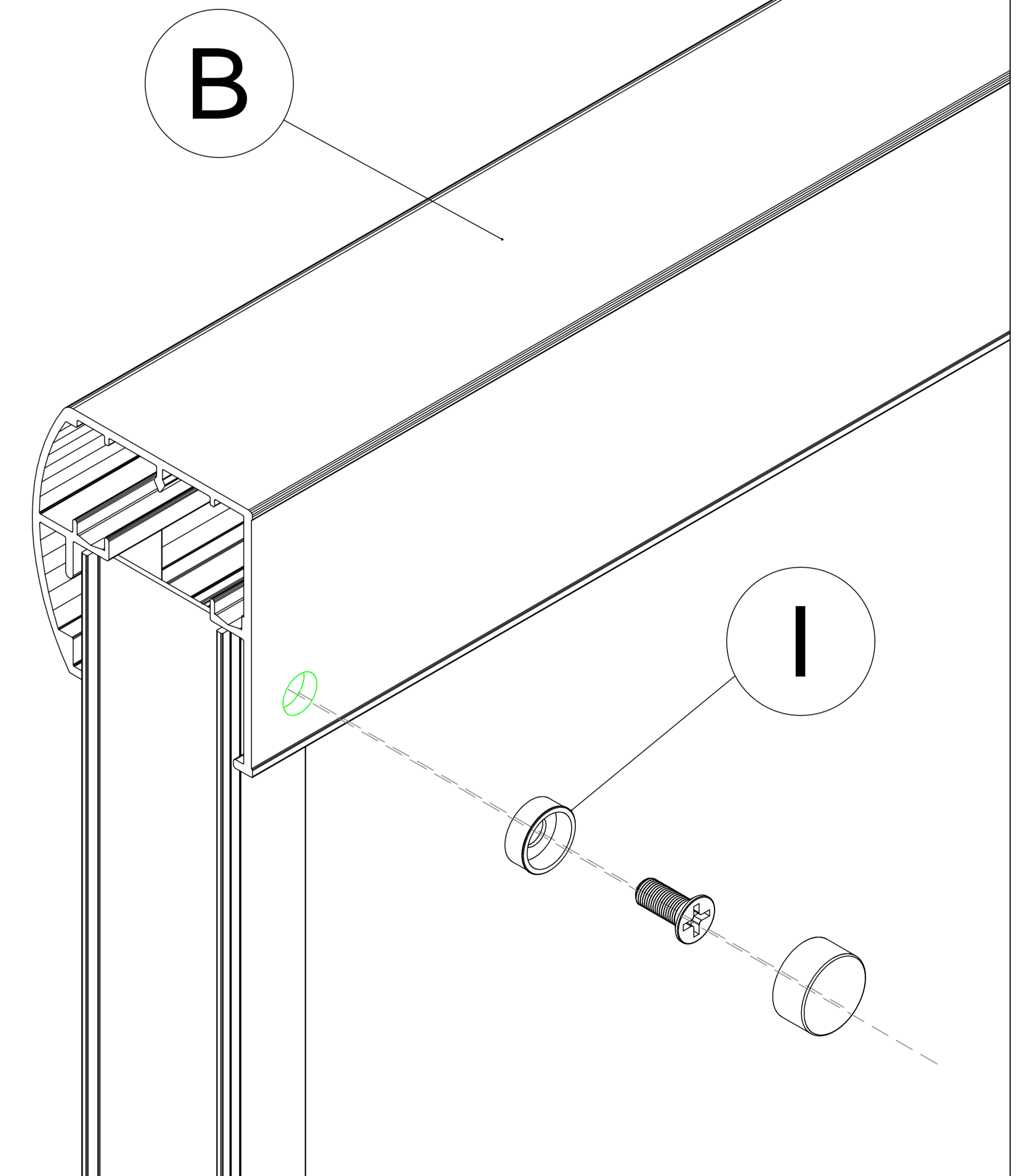
Drill holes with a 3.2mm drill bit and thread them using an M4 tap.

∅ 3.2mm HSS Drill
M4 tap



3-2

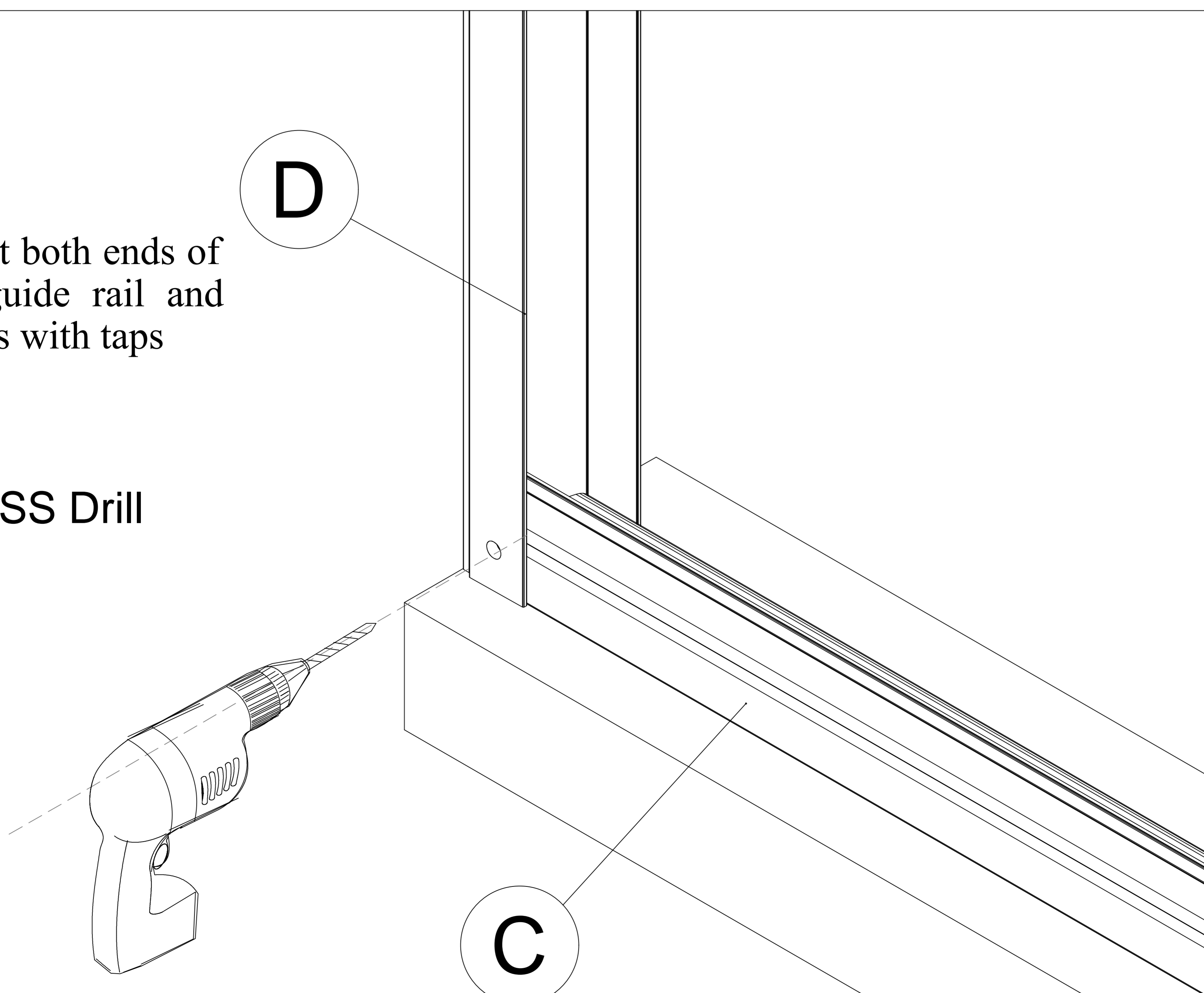
Use screws to connect and secure the upper guide rail and wall material



3-3

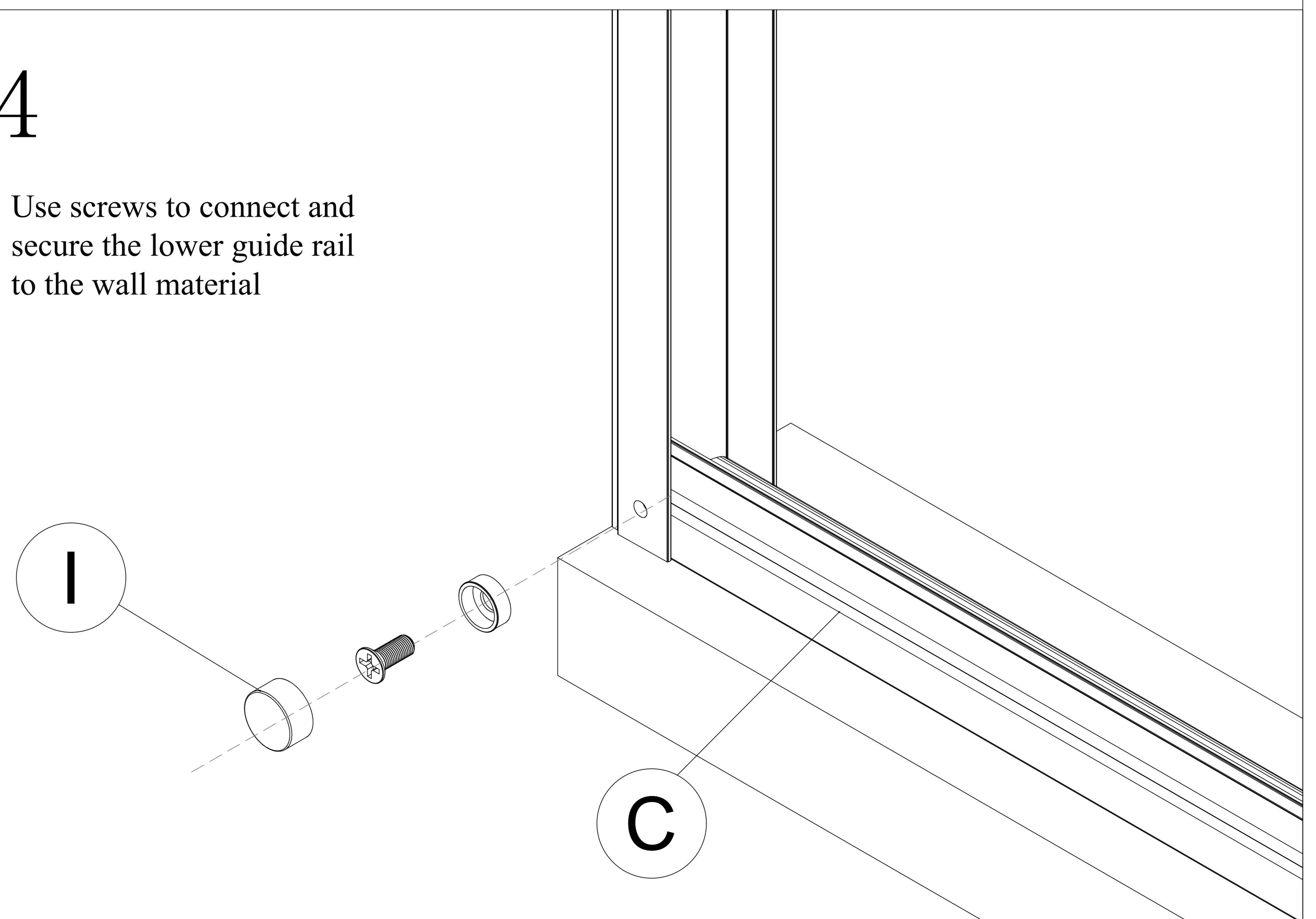
Drill holes at both ends of the lower guide rail and make threads with taps

∅ 3.2mm HSS Drill
M4 tap



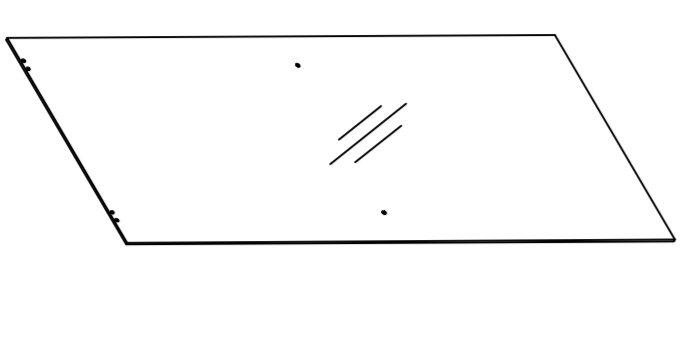
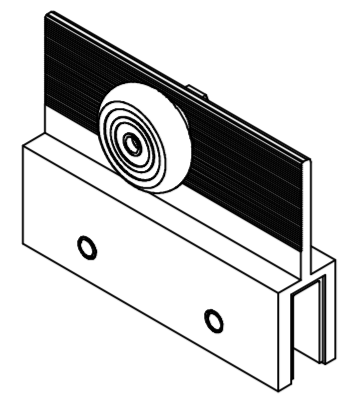
3-4

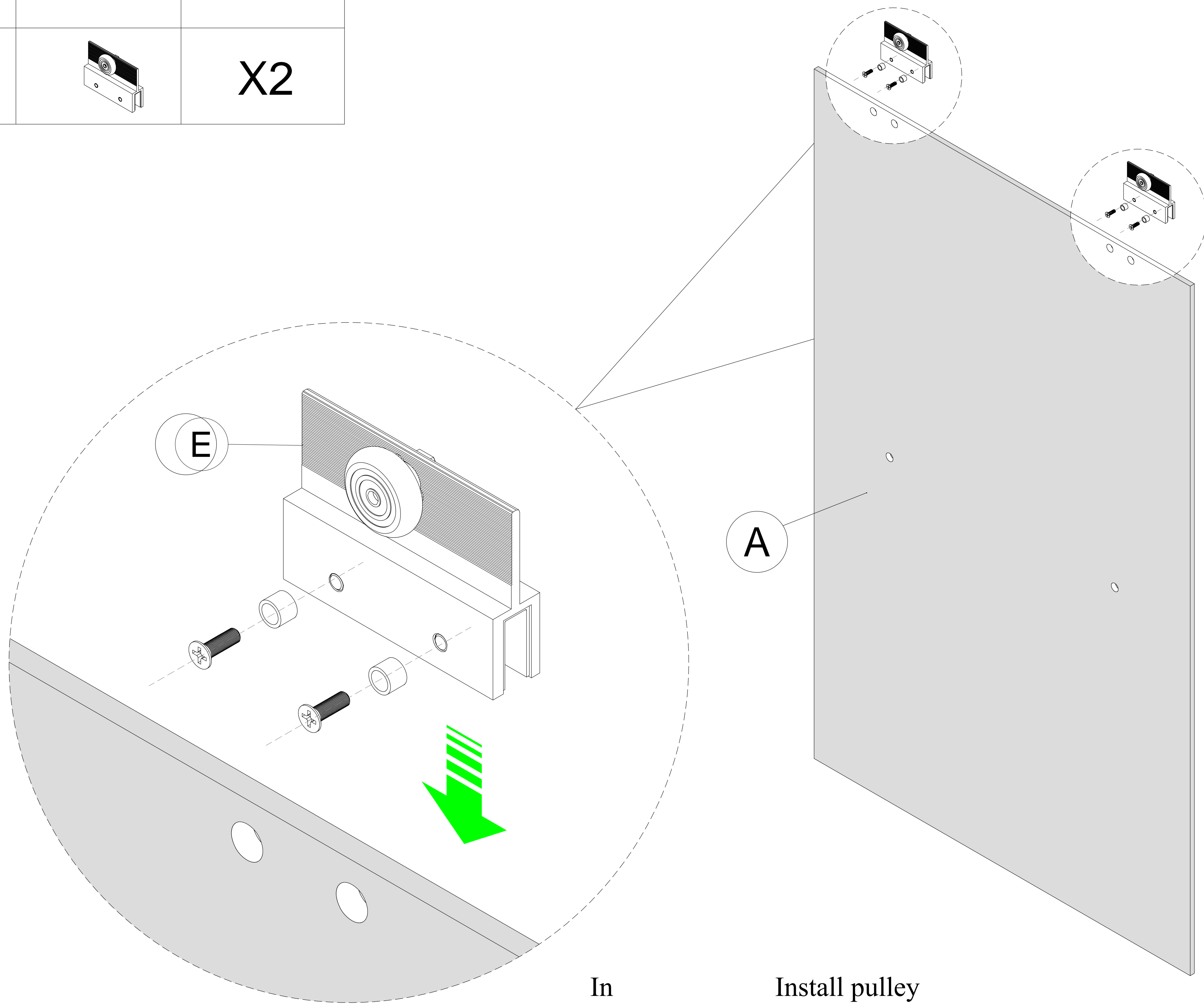
Use screws to connect and secure the lower guide rail to the wall material



STEP 4

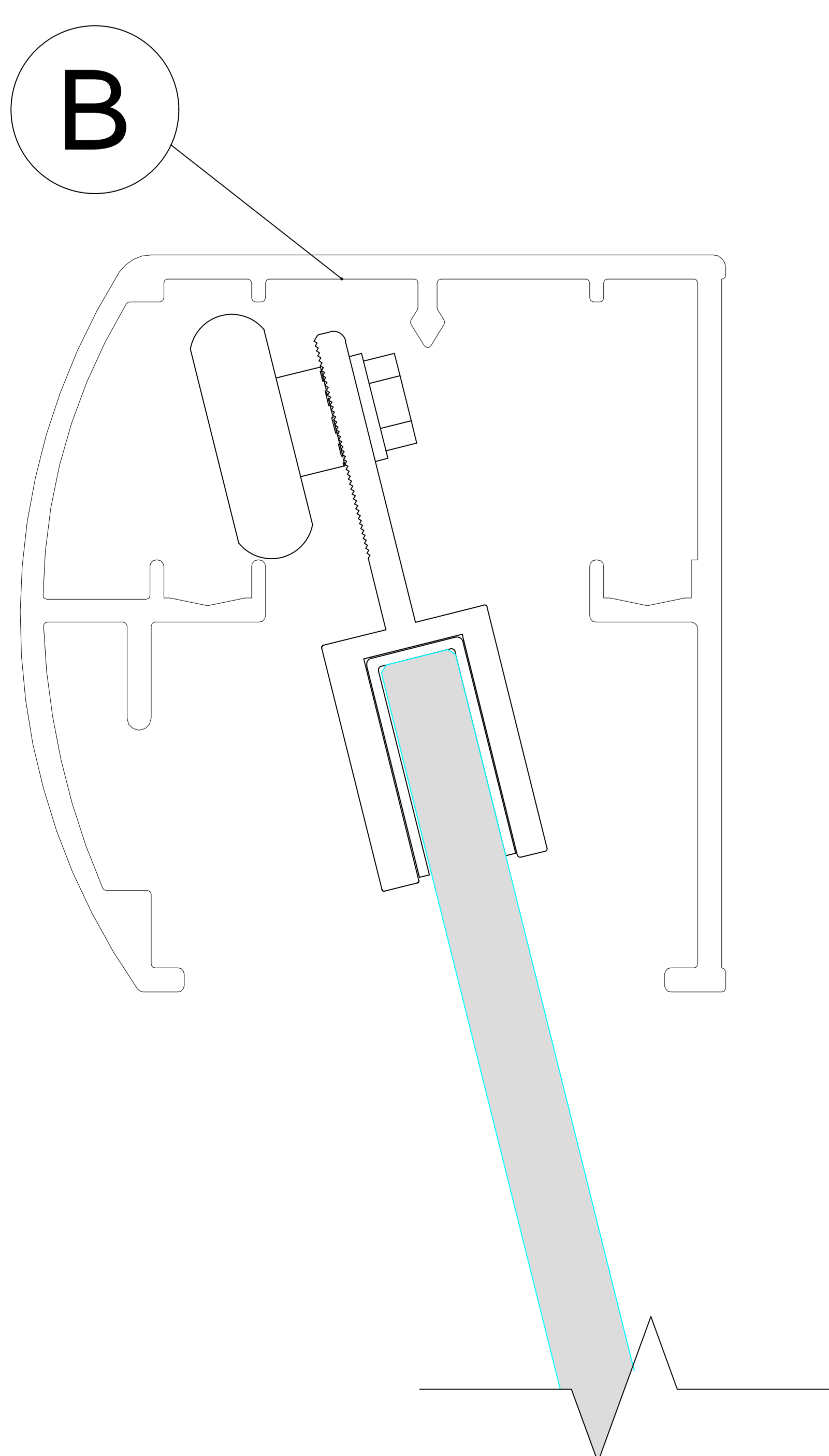
Install the outer sliding glass door panel

(A)		X1
(E)		X2



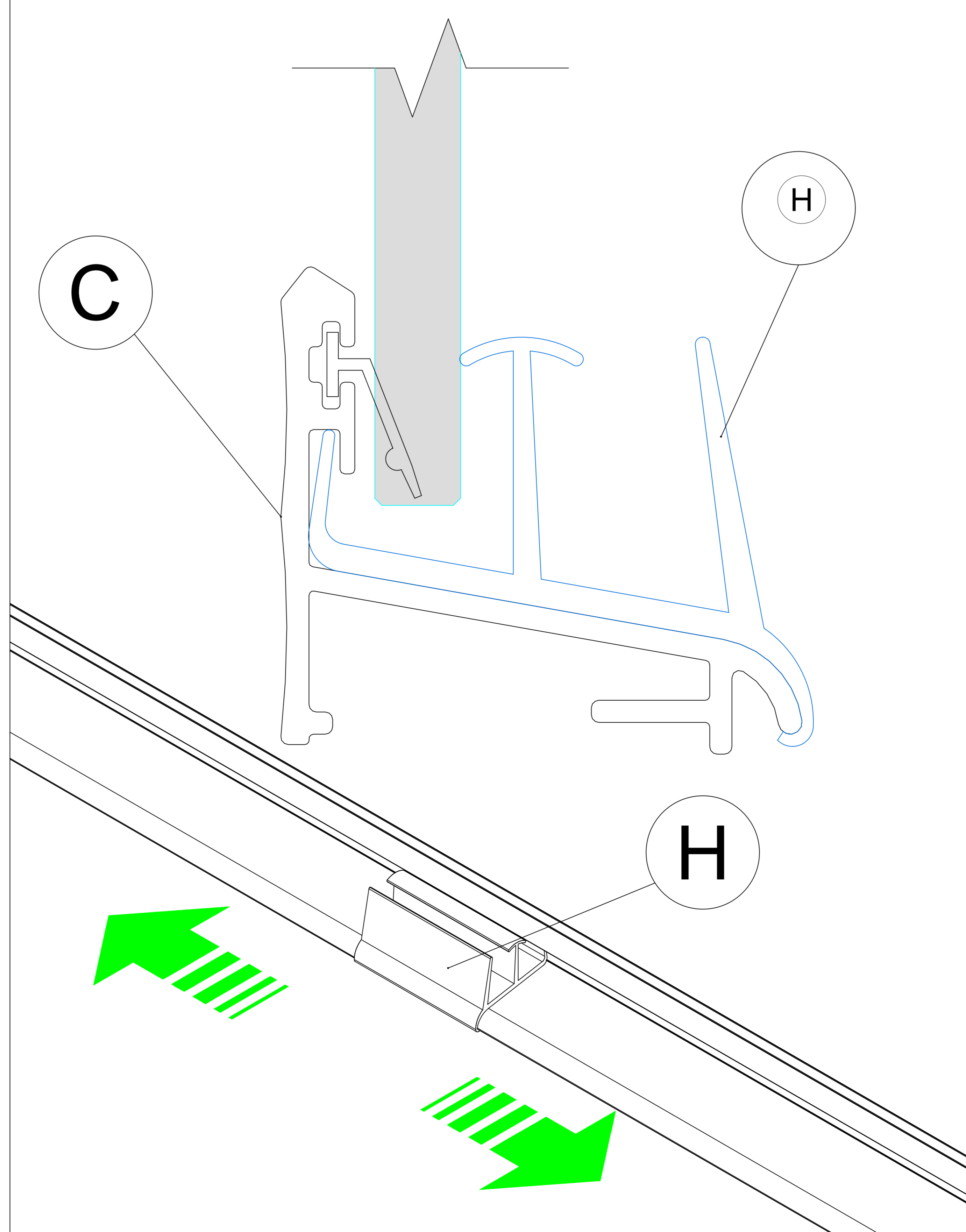
4-1

grasp Hanging on the guide rail



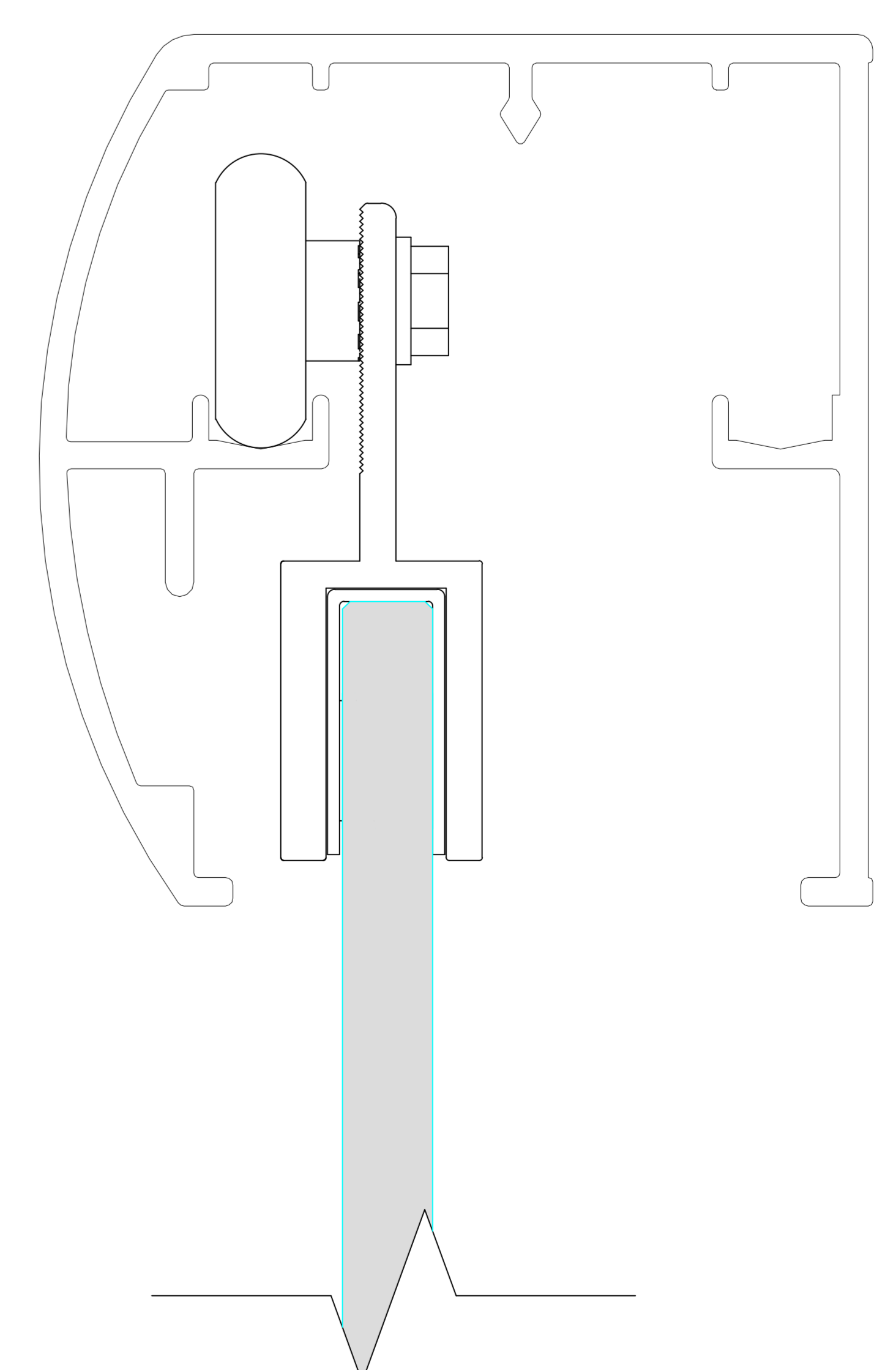
4-2

grasp Drag the slider.



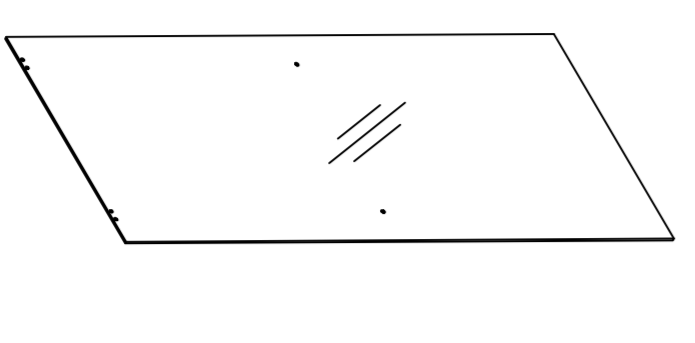
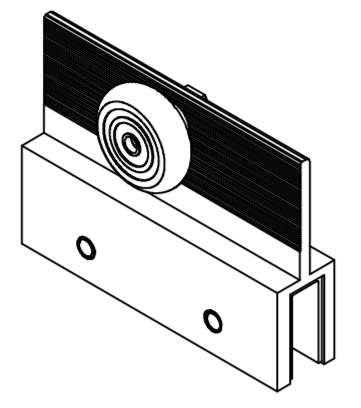
4-3

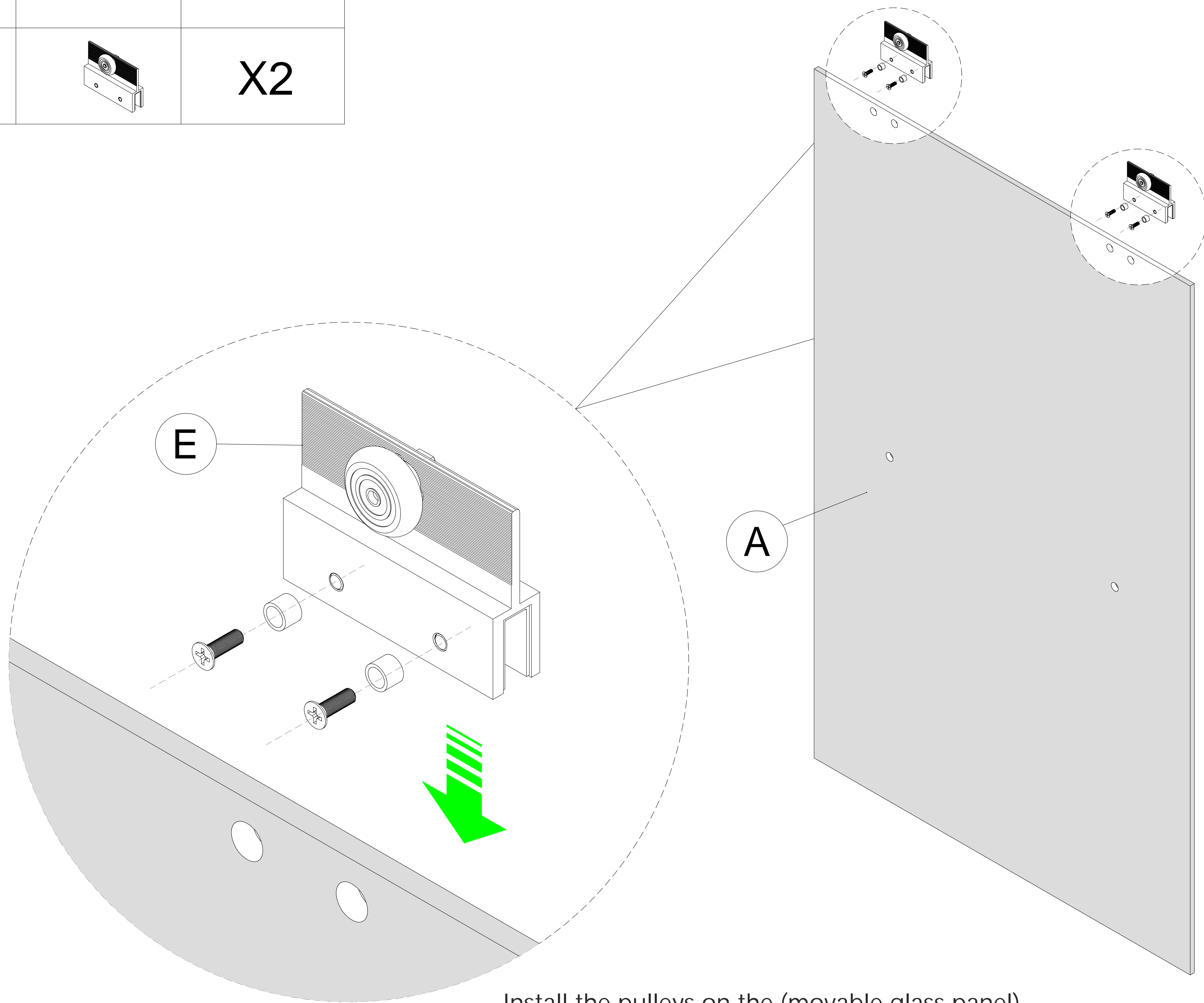
completion status



STEP 5

Installation of the Inner Movable Glass Door Panel

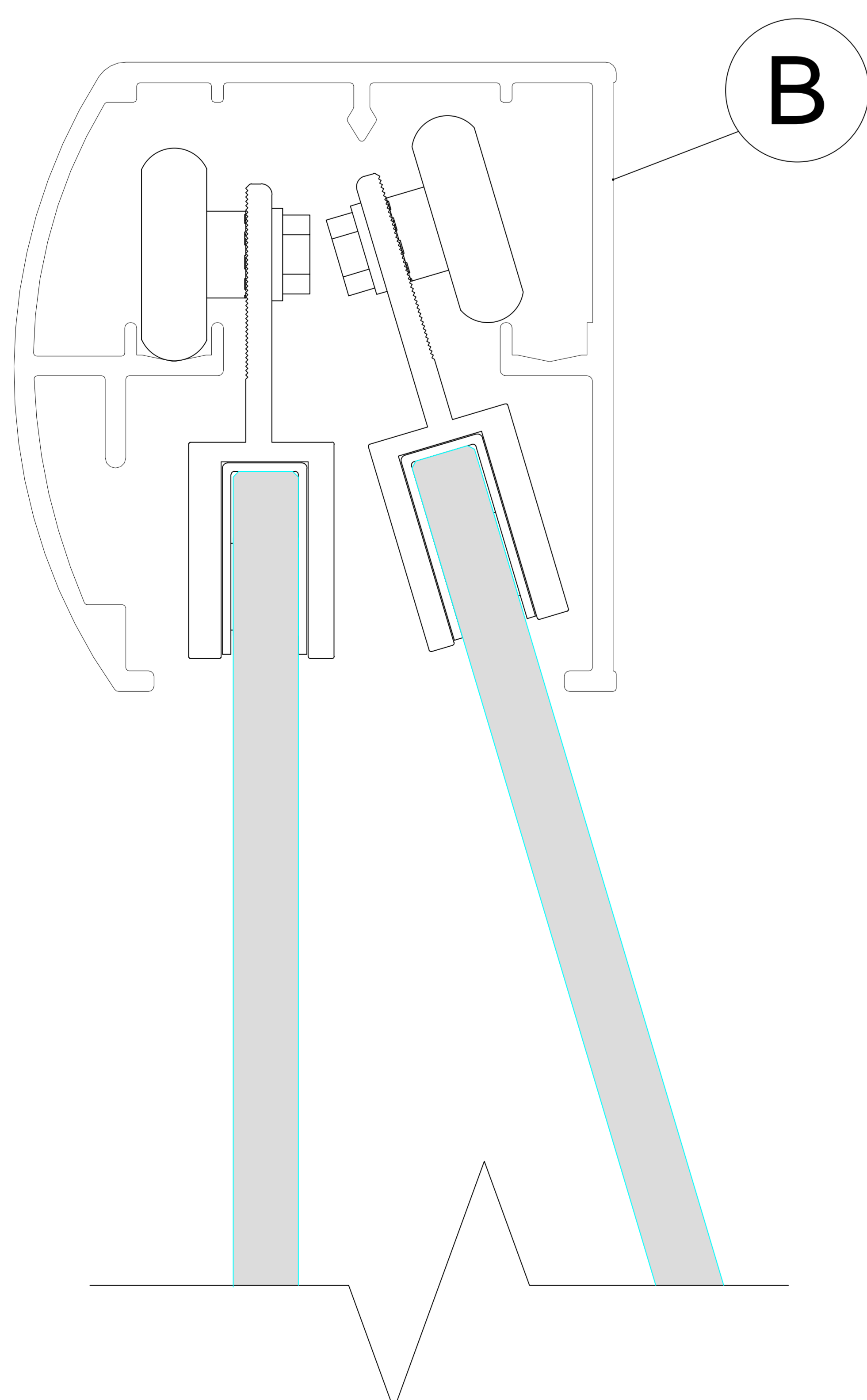
A		X1
E		X2



Install the pulleys on the (movable glass panel)

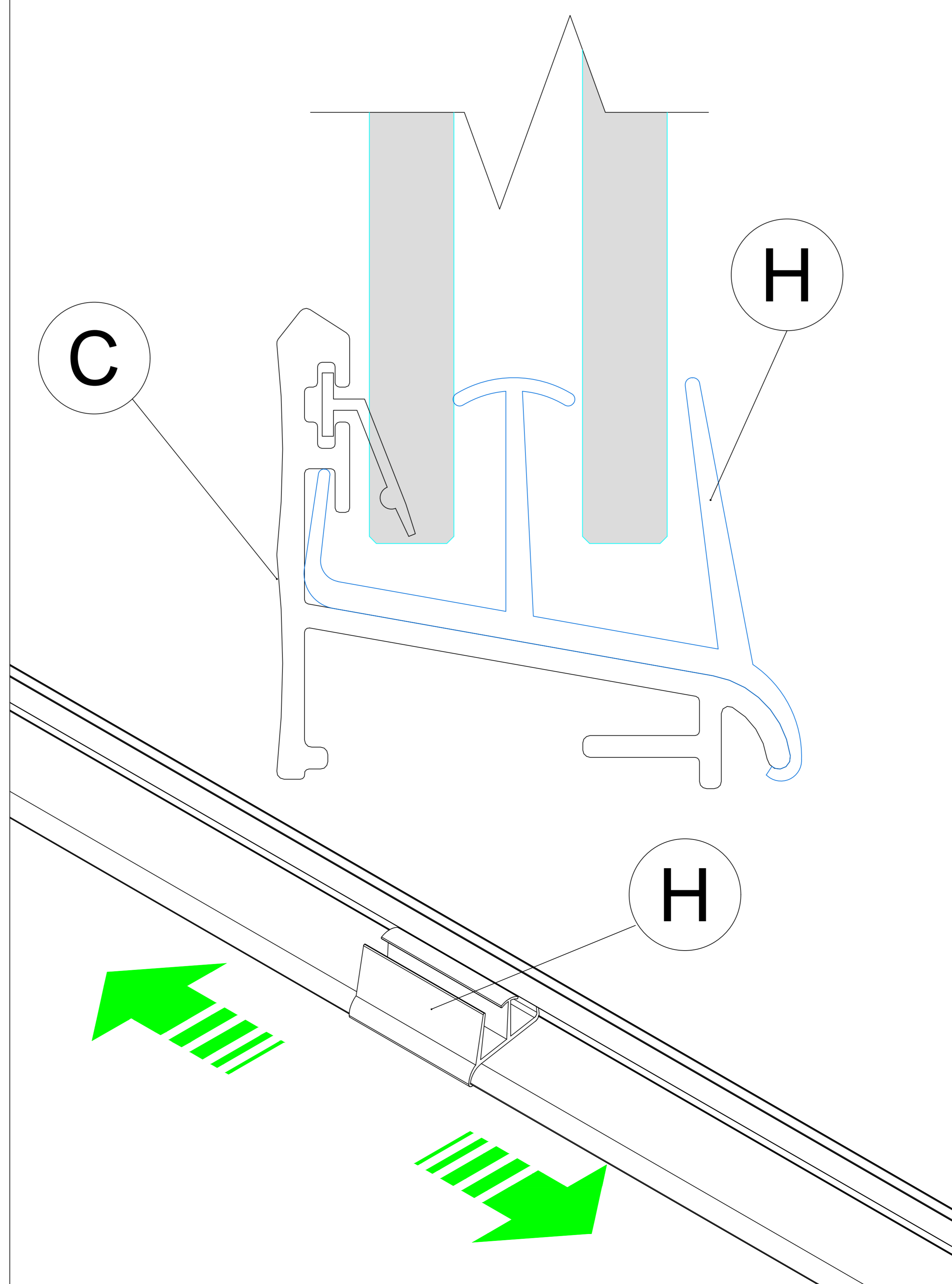
5-1

Hang the movable glass panel on the top track



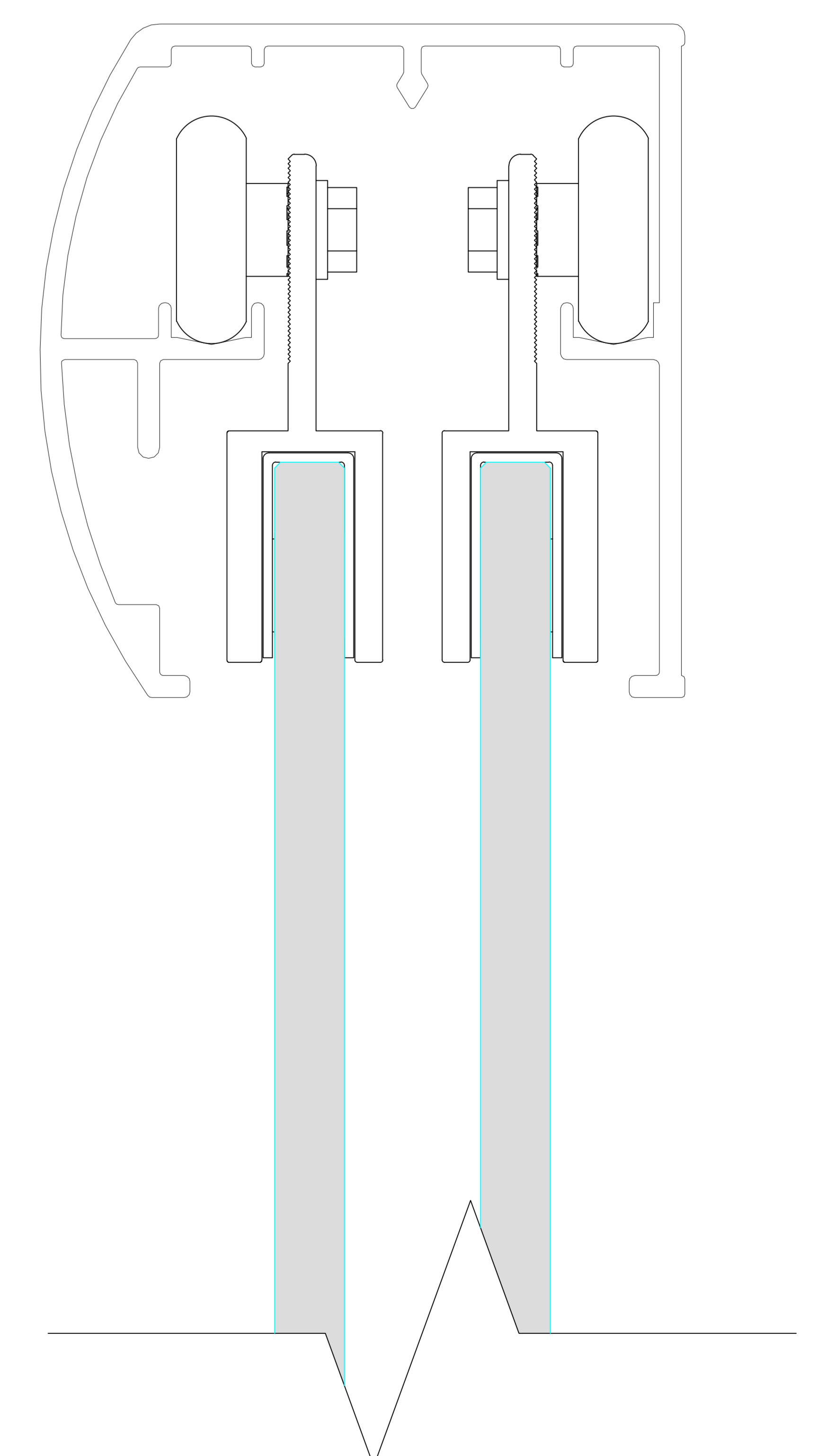
5-2

Snap the (guide rubber) into the slider



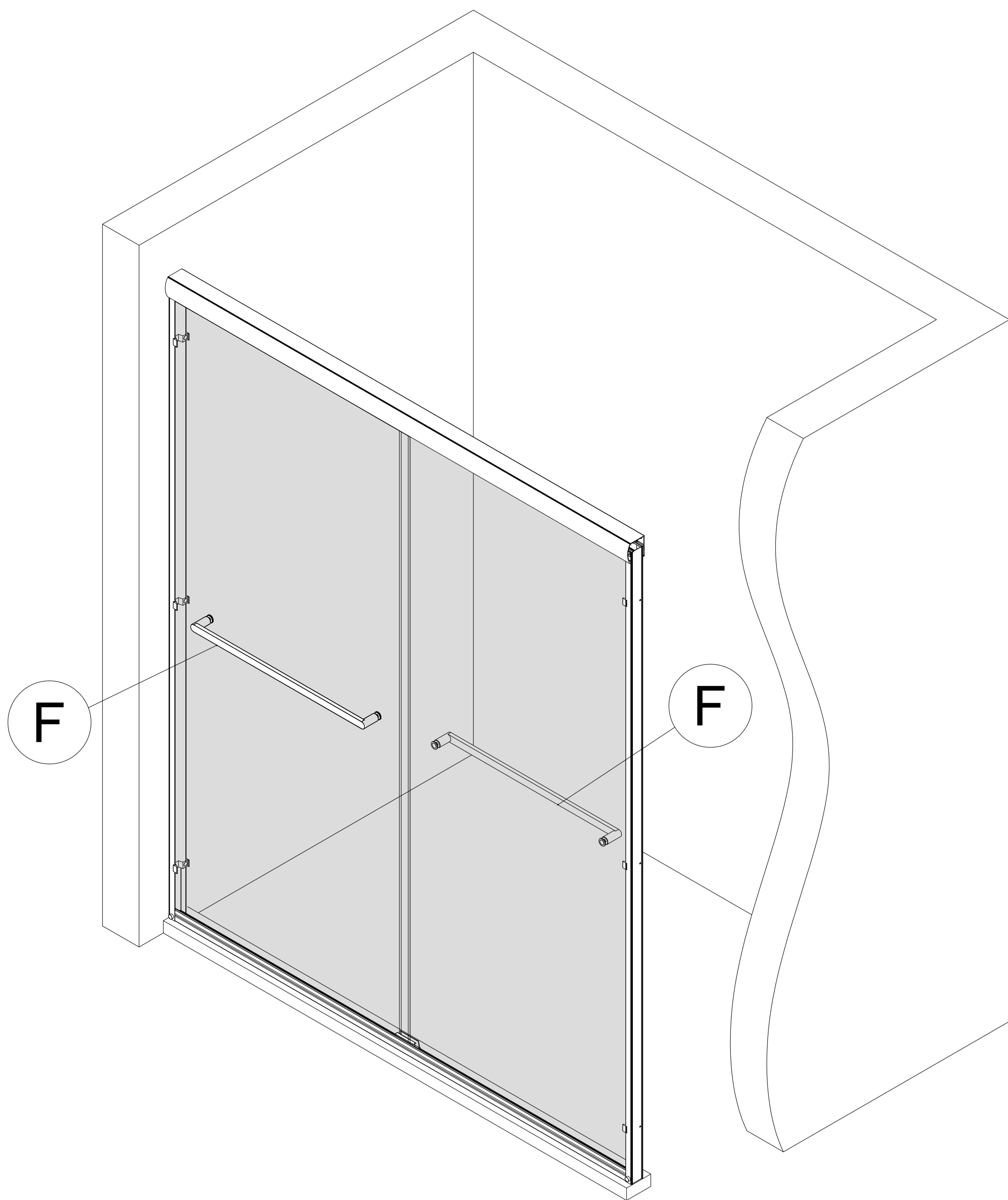
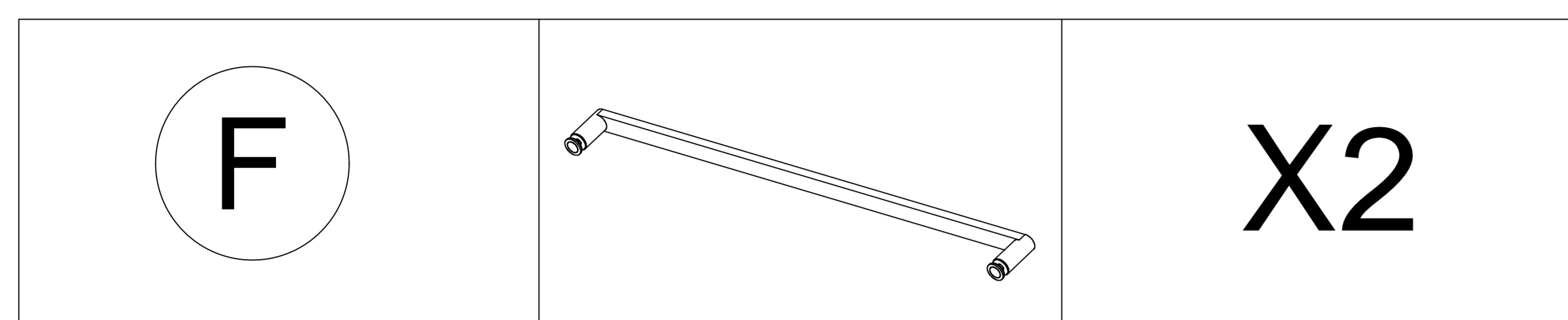
5-3

Completion Status

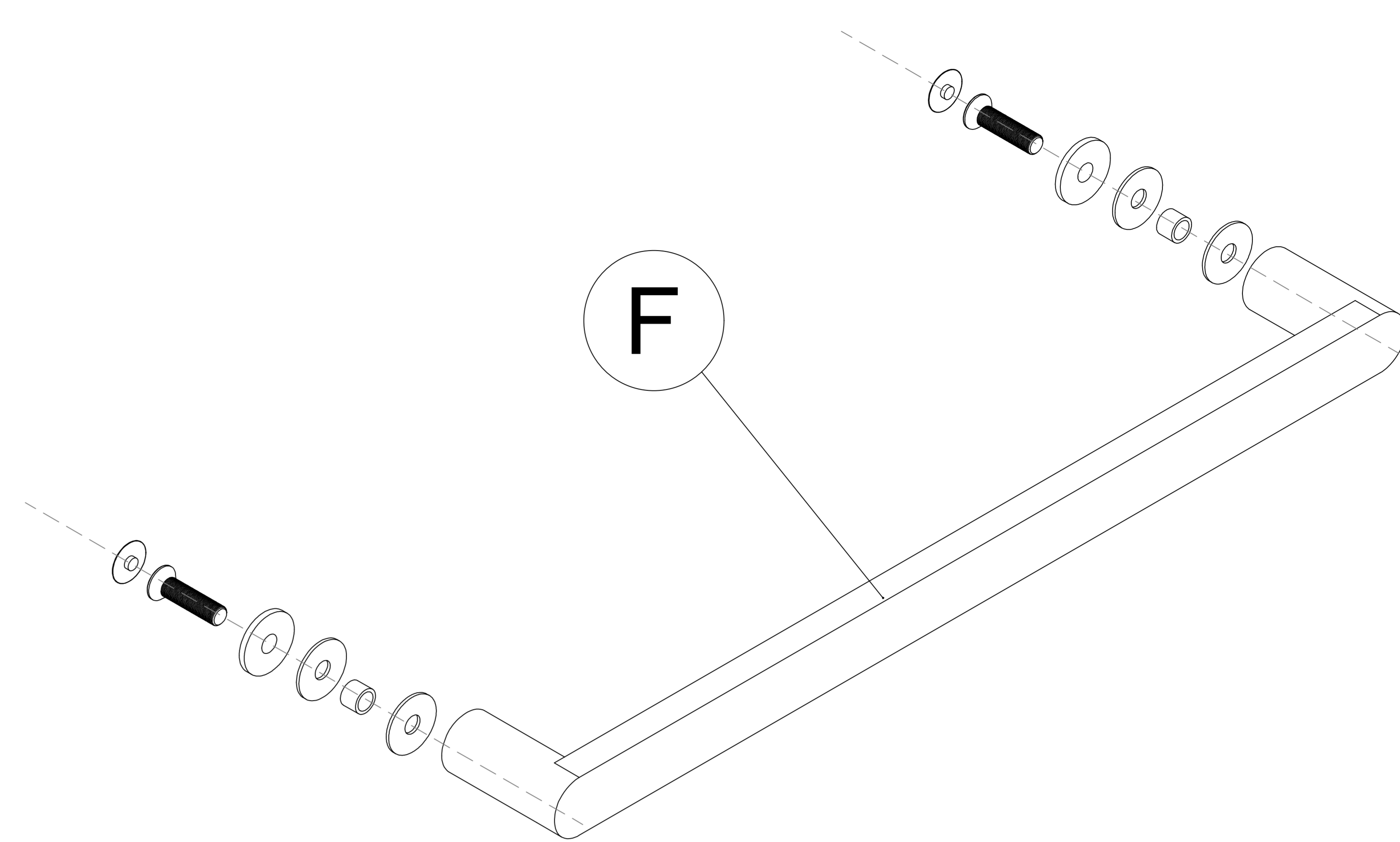


STEP 6

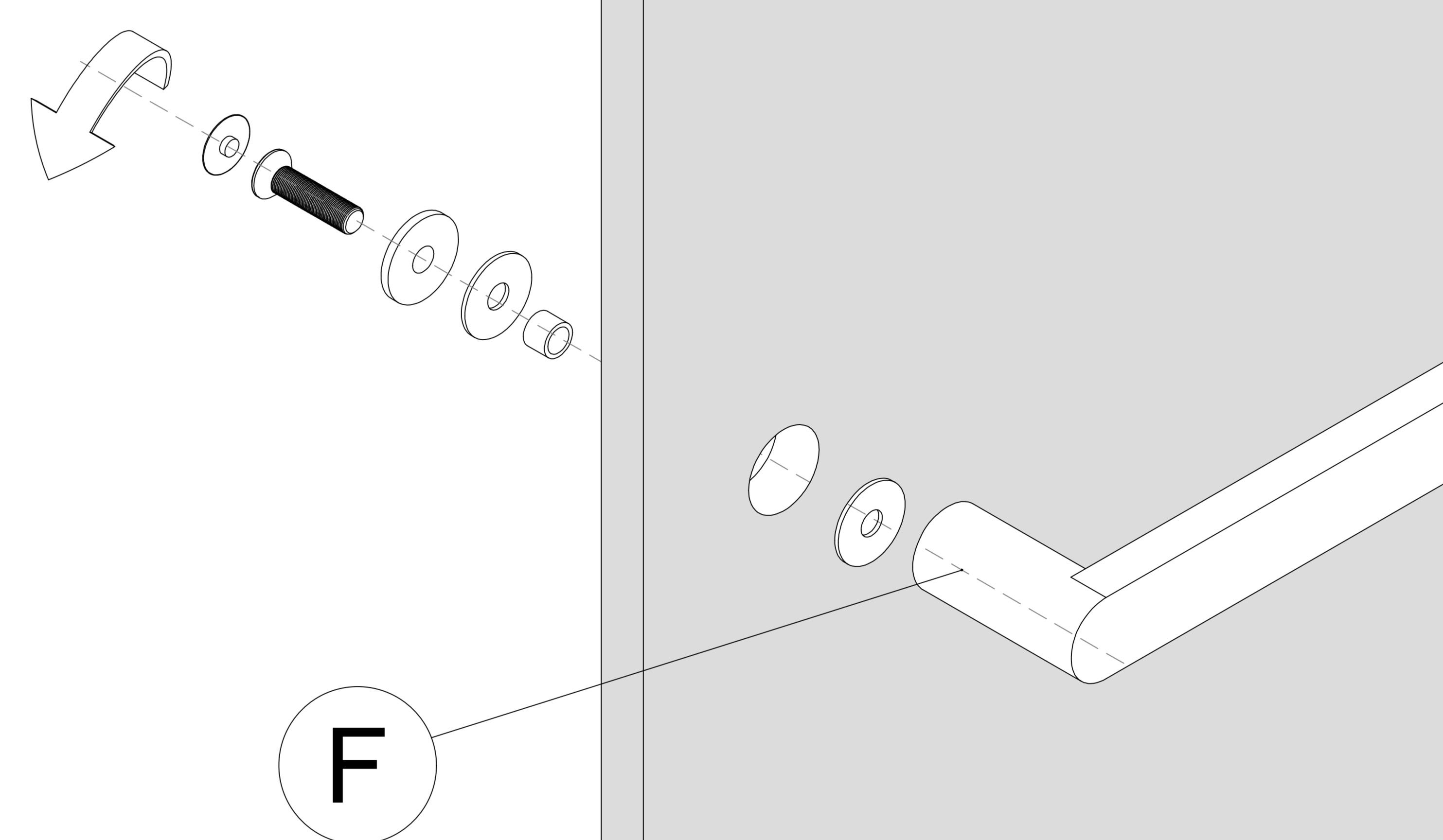
Install the single-sided handle



6-1



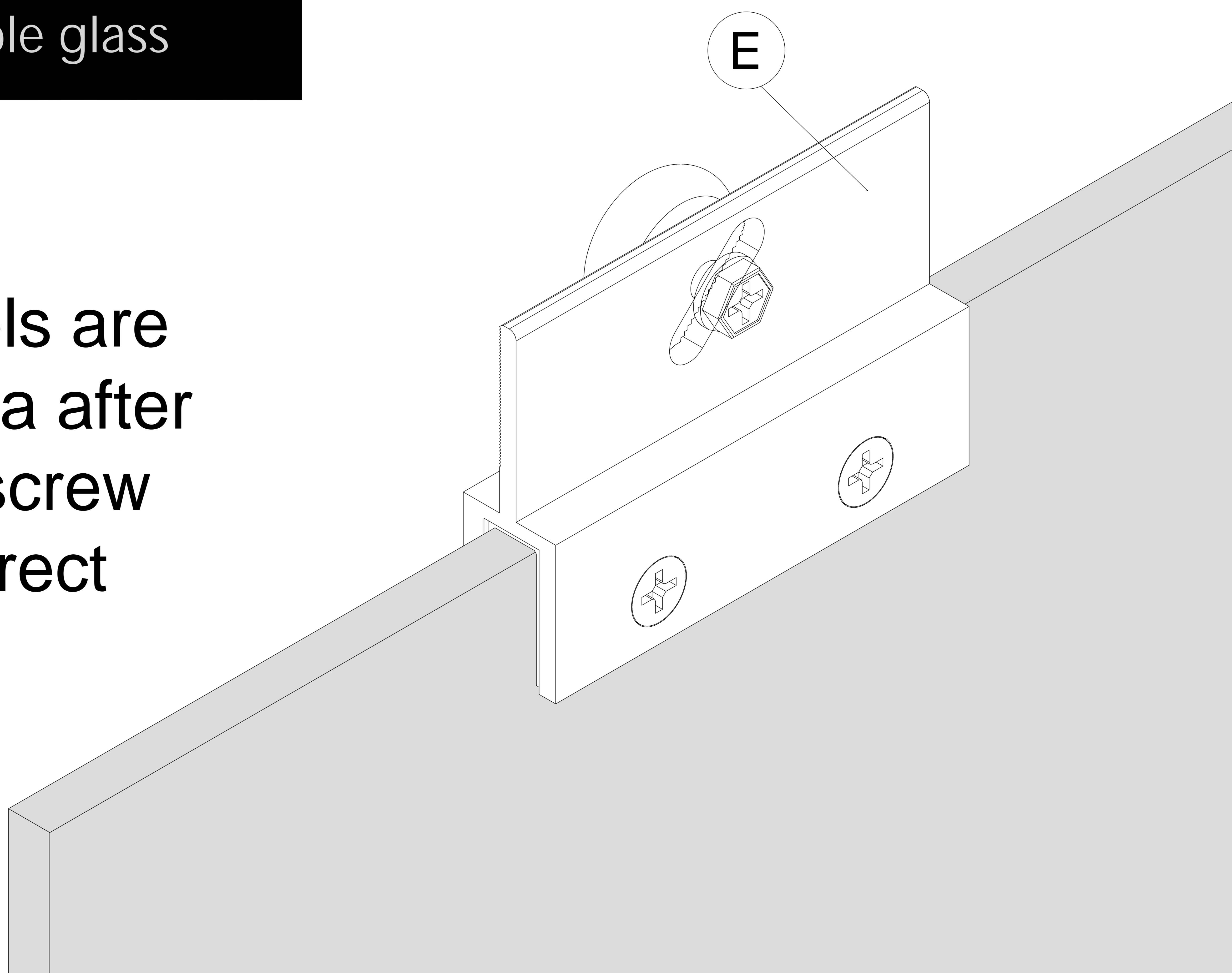
6-2



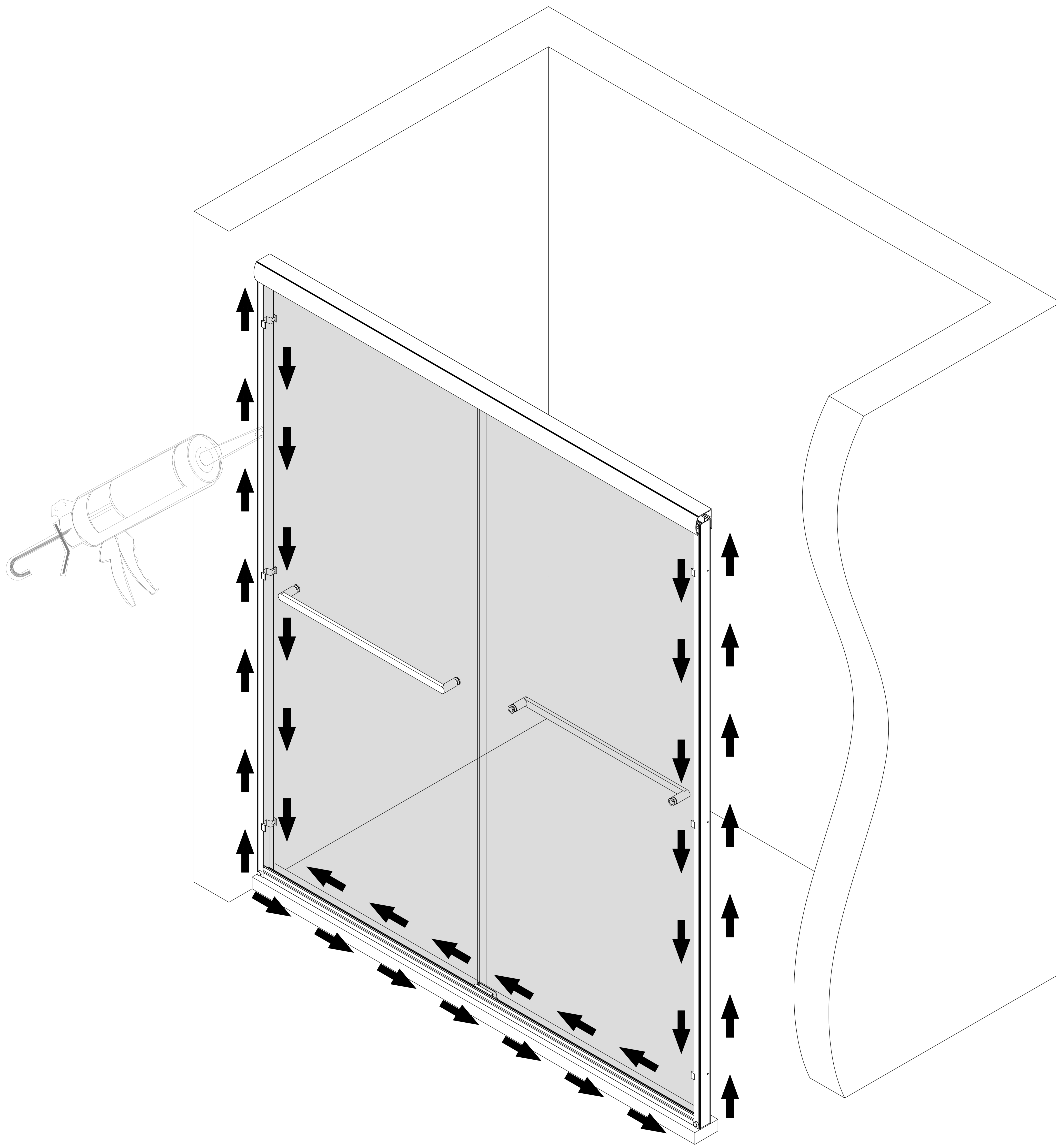
STEP 7

Adjust the verticality of the movable glass

NOTE: If the door panels are misaligned or not vertical after installation, adjust the screw above the rollers to correct their position.



STEP 8 Sealing



NOTE

The surfaces need to be clean and free of debris before applying silicone.

NOTE

Make sure that the shower door is tightly closed and opens smoothly.

Use silicone sealant to seal along the entire length of the Wall Jambs (D) Bottom Track (C).



24 HOURS HEURES



Allow 24 hours for the silicone to cure before using the shower.